

[54] ROLLERSKATE

[75] Inventor: Paul Vullierme, Aix les Bains, France

[73] Assignee: Vullierme S.A., Rumilly, France

[**] Term: 14 Years

[21] Appl. No.: 826,795

[22] Filed: Feb. 6, 1986

[30] Foreign Application Priority Data

Aug. 7, 1985 [FR] France 85 3814
 [52] U.S. Cl. D21/226
 [58] Field of Search D21/224, 226;
 280/11.27, 11.3, 11.19, 811, 826, 809; 301/5.3

[56] References Cited

U.S. PATENT DOCUMENTS

D. 265,115	6/1982	Dornseif	D21/226
D. 265,495	7/1982	Dominy et al.	D21/226
D. 269,222	7/1983	Olivieri	D21/226
D. 287,990	1/1987	Klamer	D21/226

Primary Examiner—Charles A. Rademaker
Attorney, Agent, or Firm—Browdy and Neimark

[57] CLAIM

The ornamental design for a rollerskate as shown.

DESCRIPTION

FIG. 1 is a right side elevational view of a roller skate showing my new design;
 FIG. 2 is a perspective view thereof;
 FIG. 3 is a rear elevational view thereof;
 FIG. 4 is a left side elevational view thereof
 FIG. 5 is a front elevational view thereof; and
 FIG. 6 is a top plan view thereof.

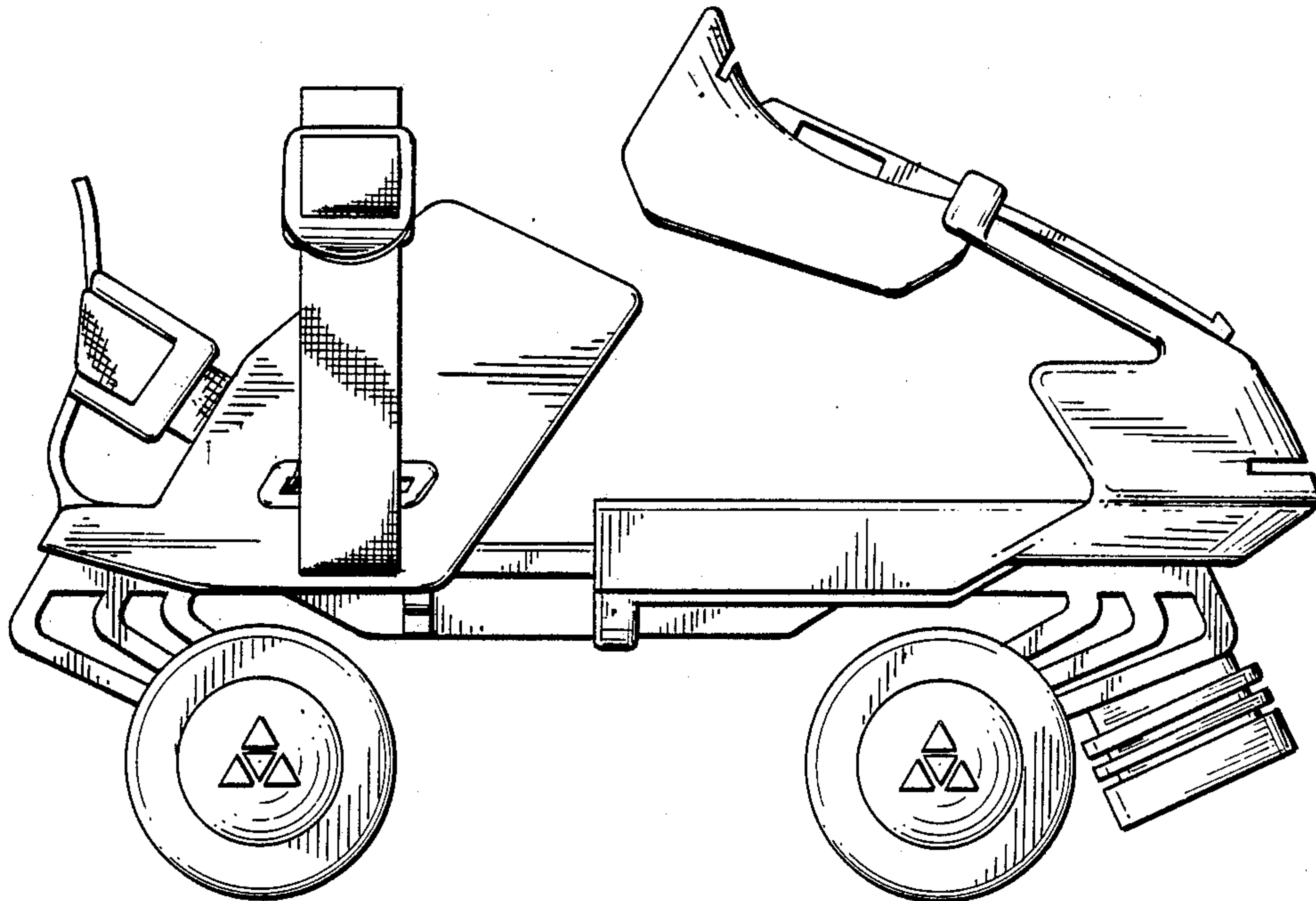


FIG. 1

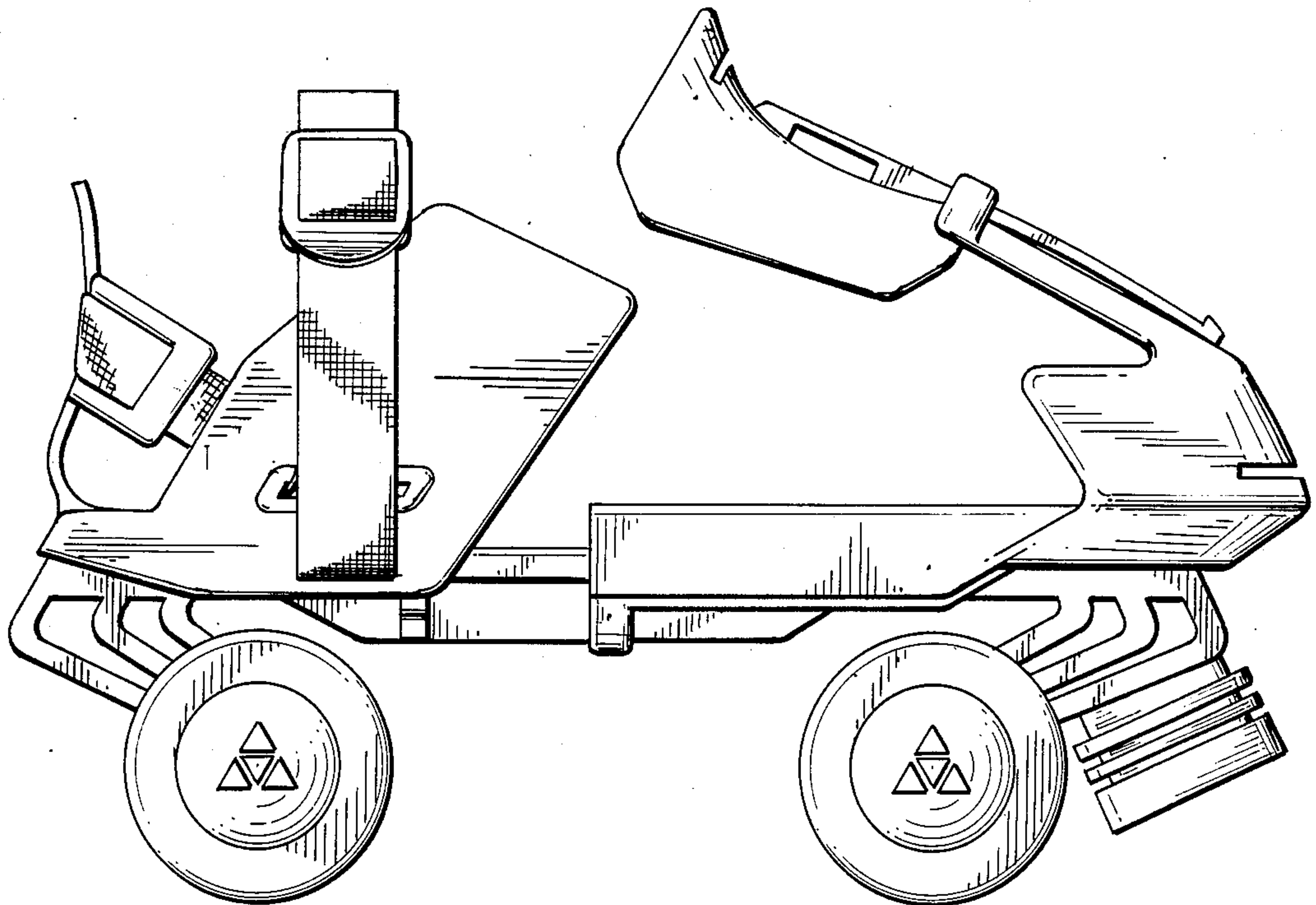


FIG. 2

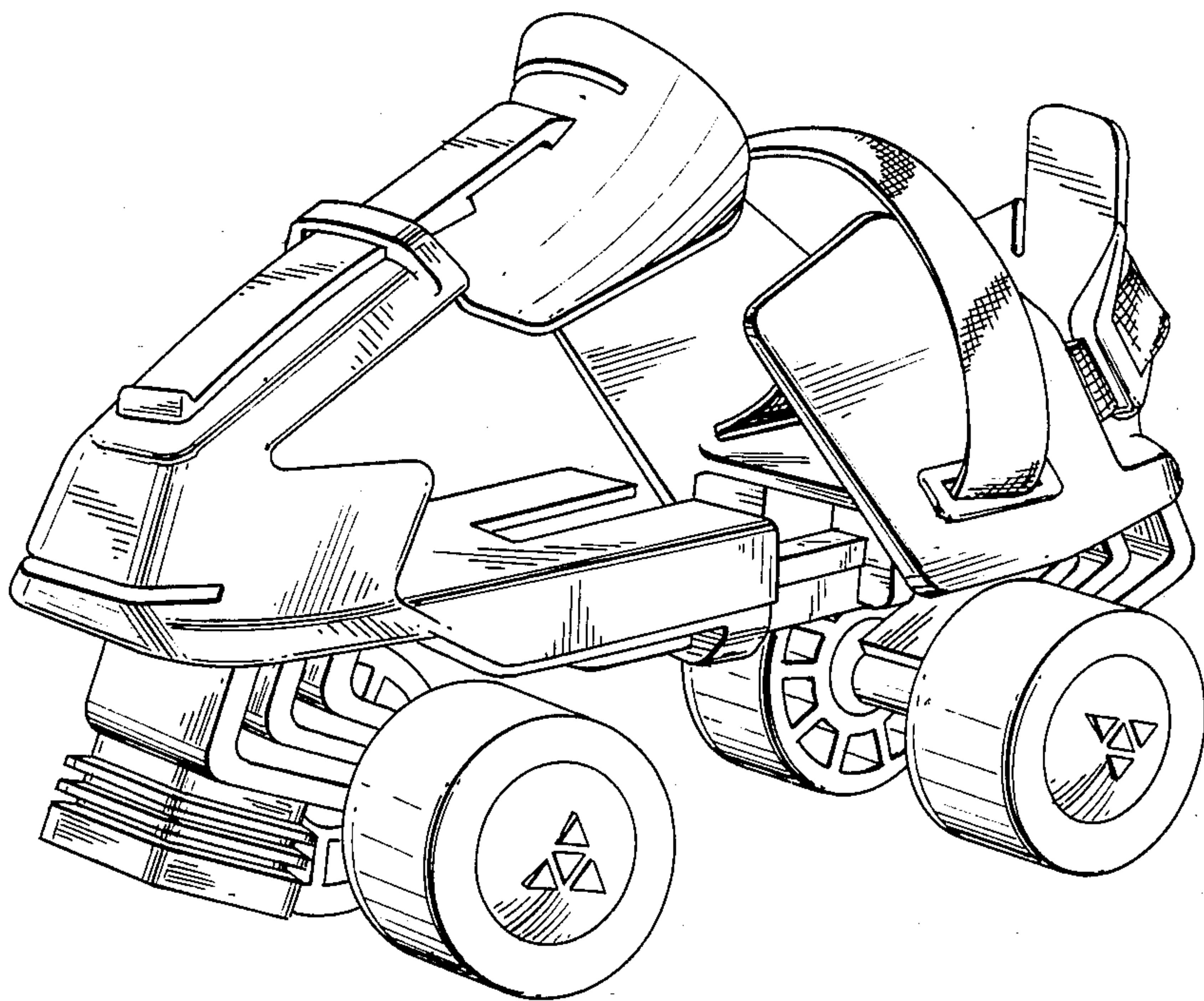


FIG. 3

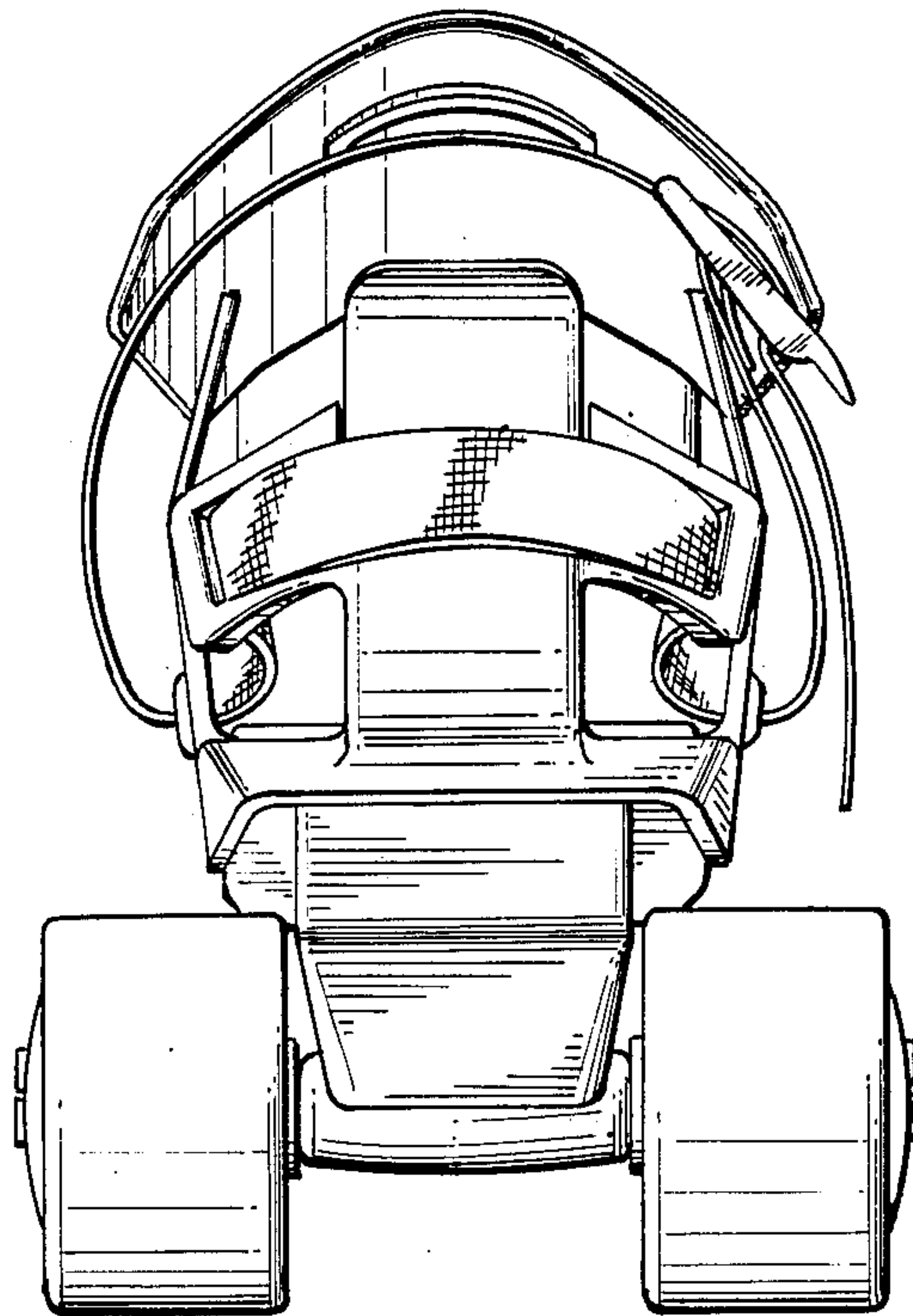


FIG. 4

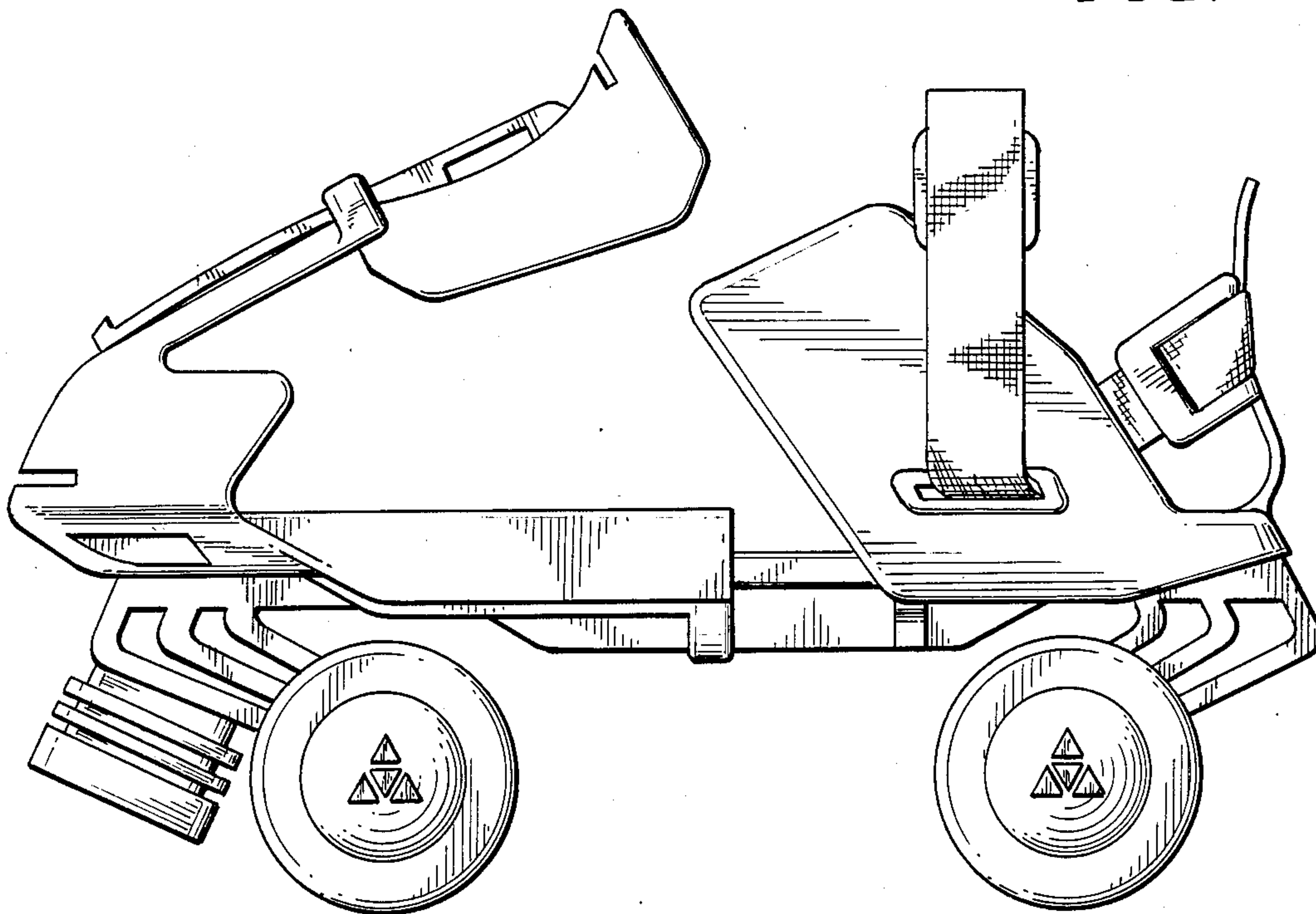


FIG. 5

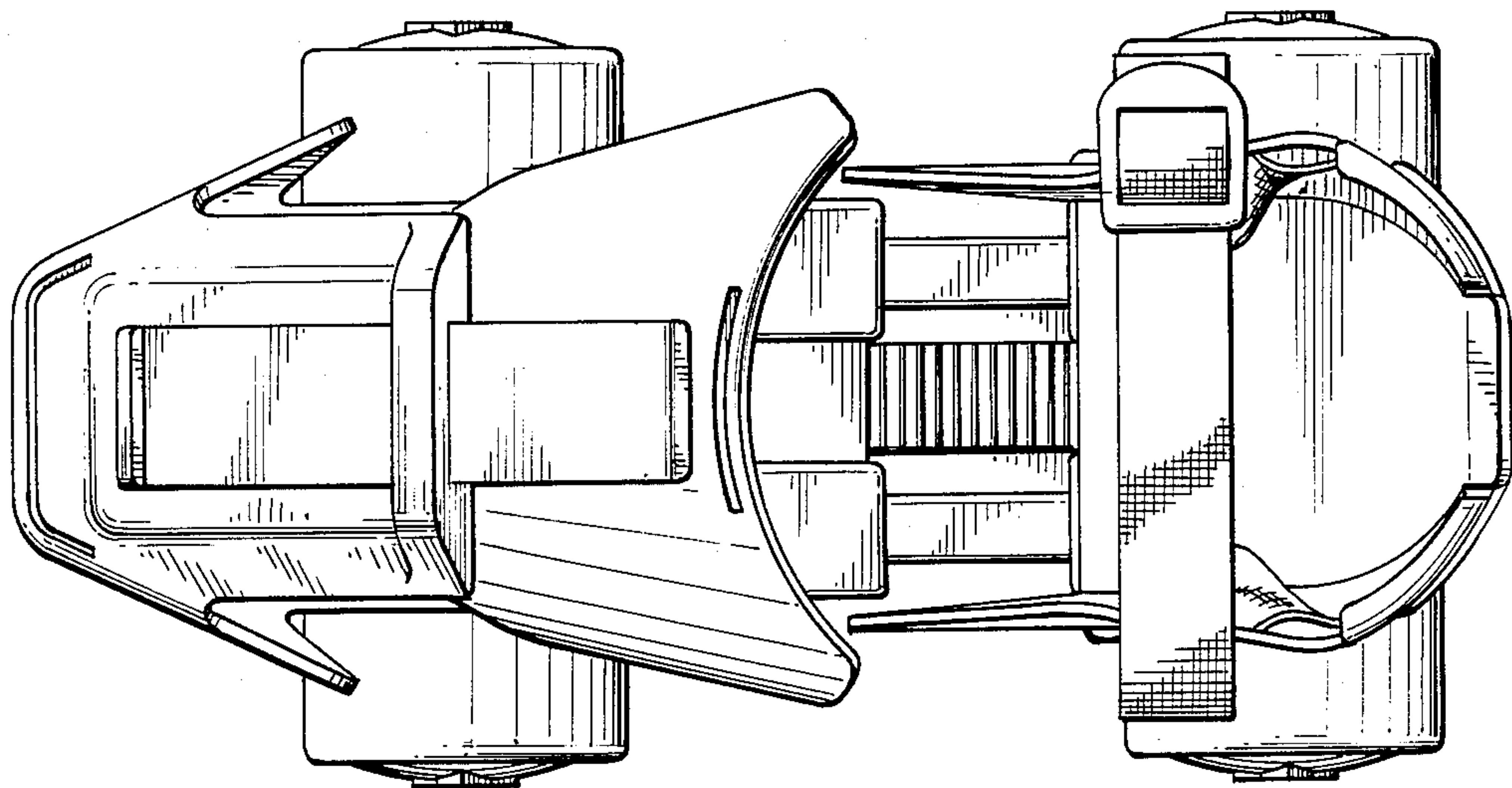
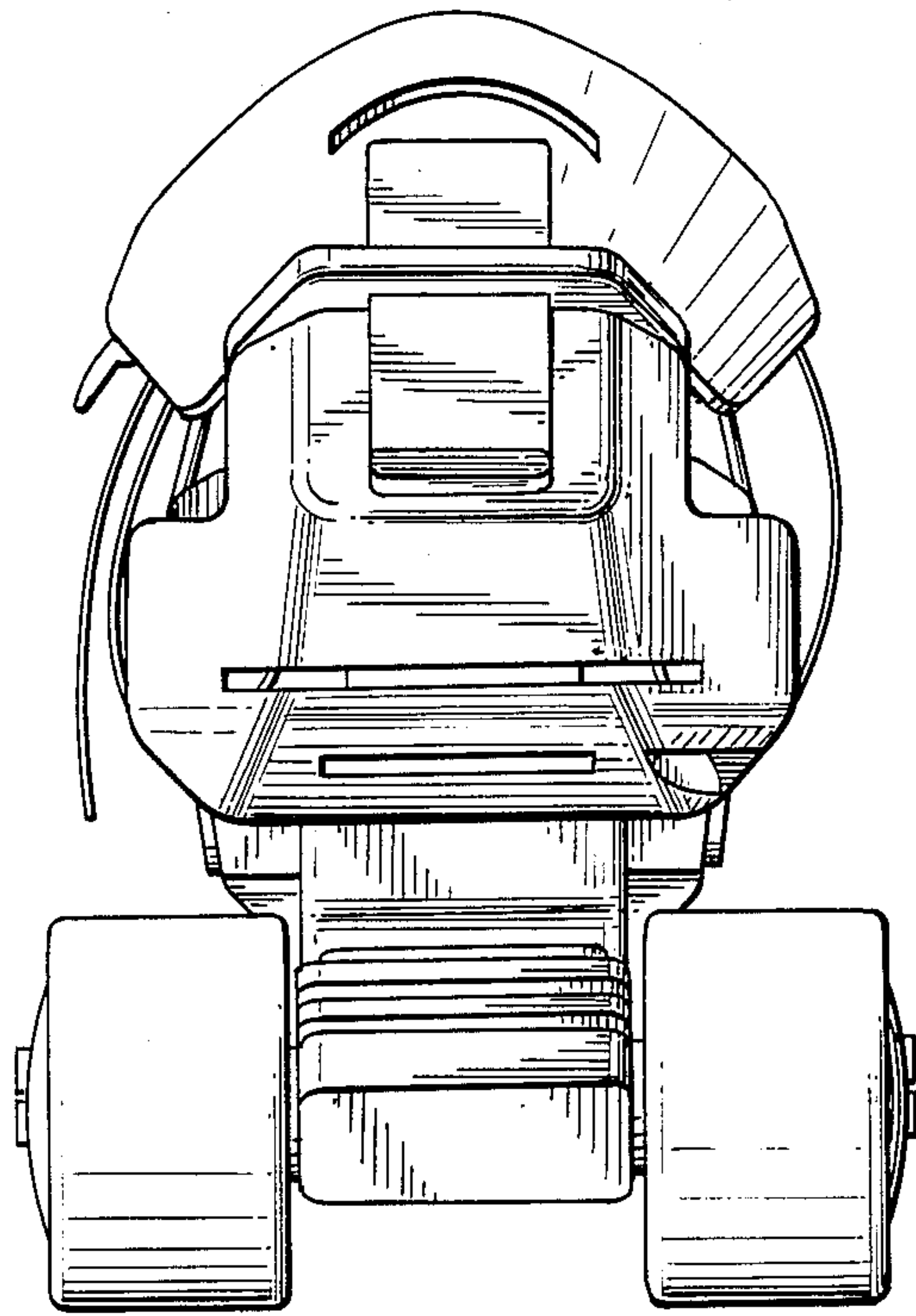


FIG. 6