

[54] **ROLLERSKATE**

[75] Inventor: Paul Vullierme, Aix les Bains, France

[73] Assignee: Vullierme S.A., Rumilly, France

[**] Term: 14 Years

[21] Appl. No.: 826,794

[22] Filed: Feb. 6, 1986

[52] U.S. Cl. D21/226

[58] Field of Search D21/224, 226;
280/11.27, 11.3, 11.19, 811, 826, 809; 301/5.3

[56] **References Cited**

U.S. PATENT DOCUMENTS

- D. 228,356 9/1973 Taylor D21/226
- D. 237,992 12/1975 Famolare D21/226

- D. 265,115 6/1982 Dornseif D21/226
- D. 265,495 7/1982 Dominy et al. D21/226
- D. 272,258 1/1984 Olivieri D21/226
- D. 282,095 1/1986 Robjent D21/226

Primary Examiner—Charles A. Rademaker
Attorney, Agent, or Firm—Browdy and Neimark

[57] **CLAIM**

The ornamental design for a rollerskate, as shown.

DESCRIPTION

FIG. 1 is a right side elevational view of a roller skate showing my new design;
 FIG. 2 is a perspective view thereof;
 FIG. 3 is a rear elevational view thereof;
 FIG. 4 is a left side elevational view thereof
 FIG. 5 is a top plan view thereof; and
 FIG. 6 is a front elevational view thereof.

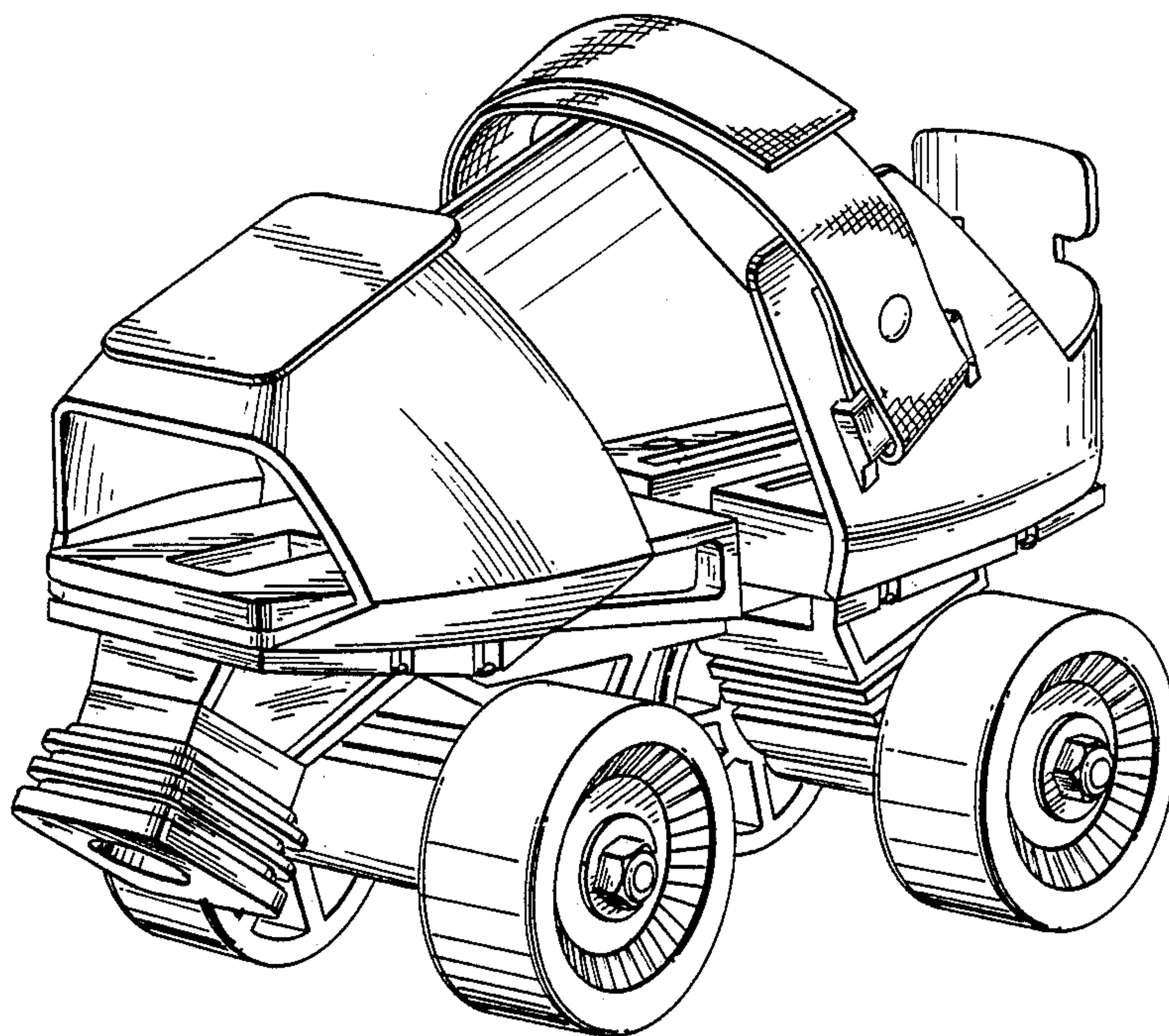


FIG. 1

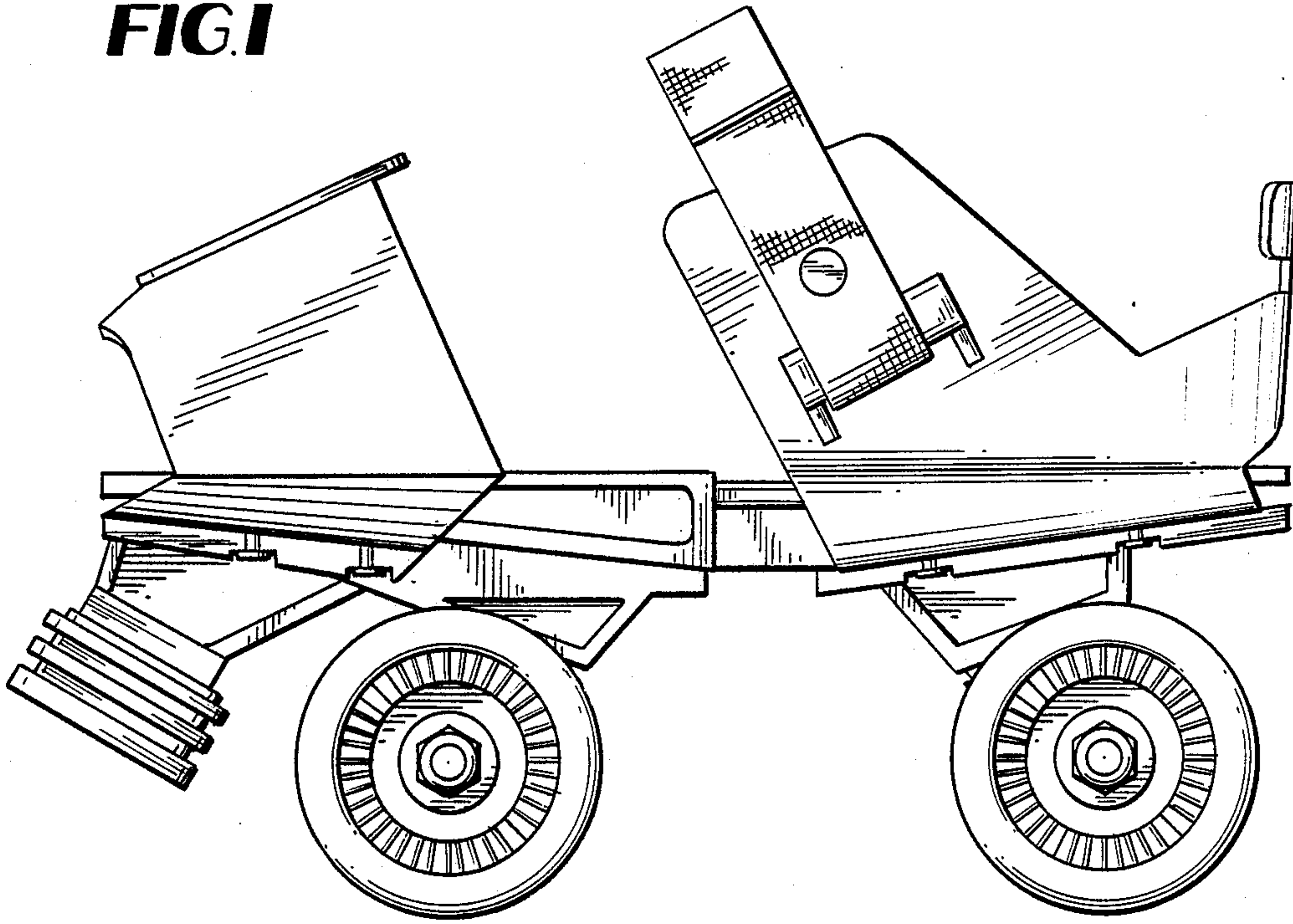


FIG. 2

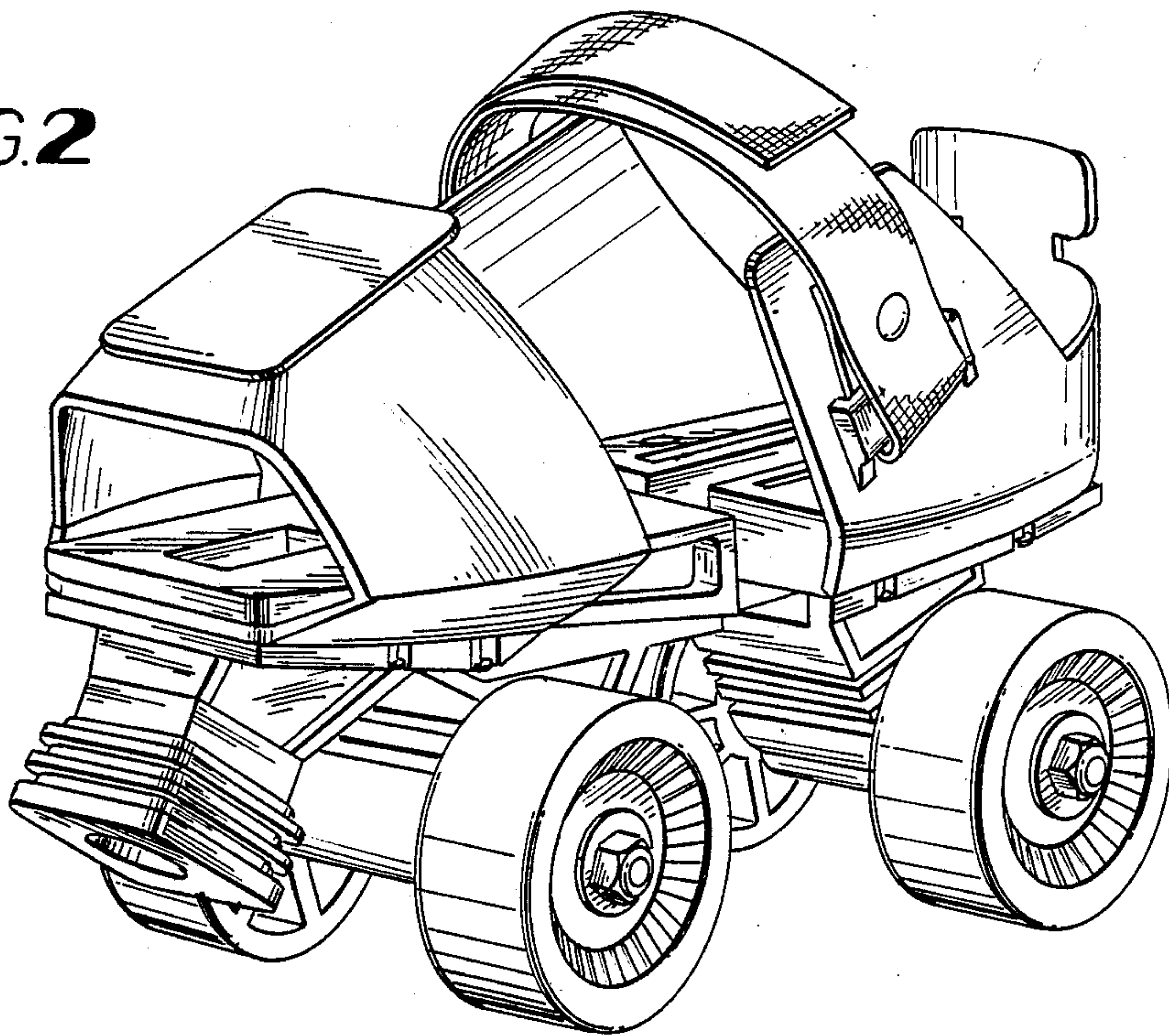


FIG.3

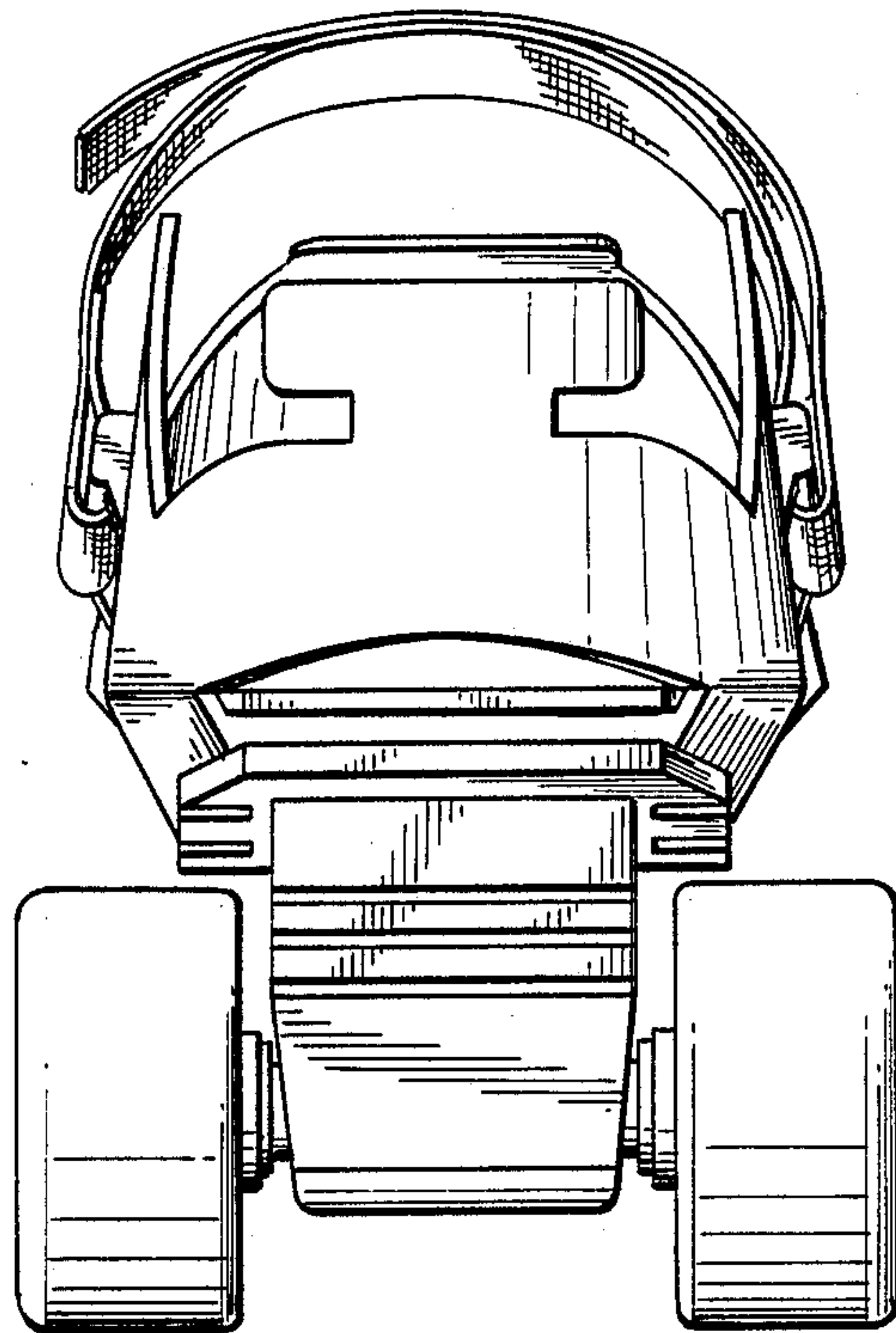


FIG.4

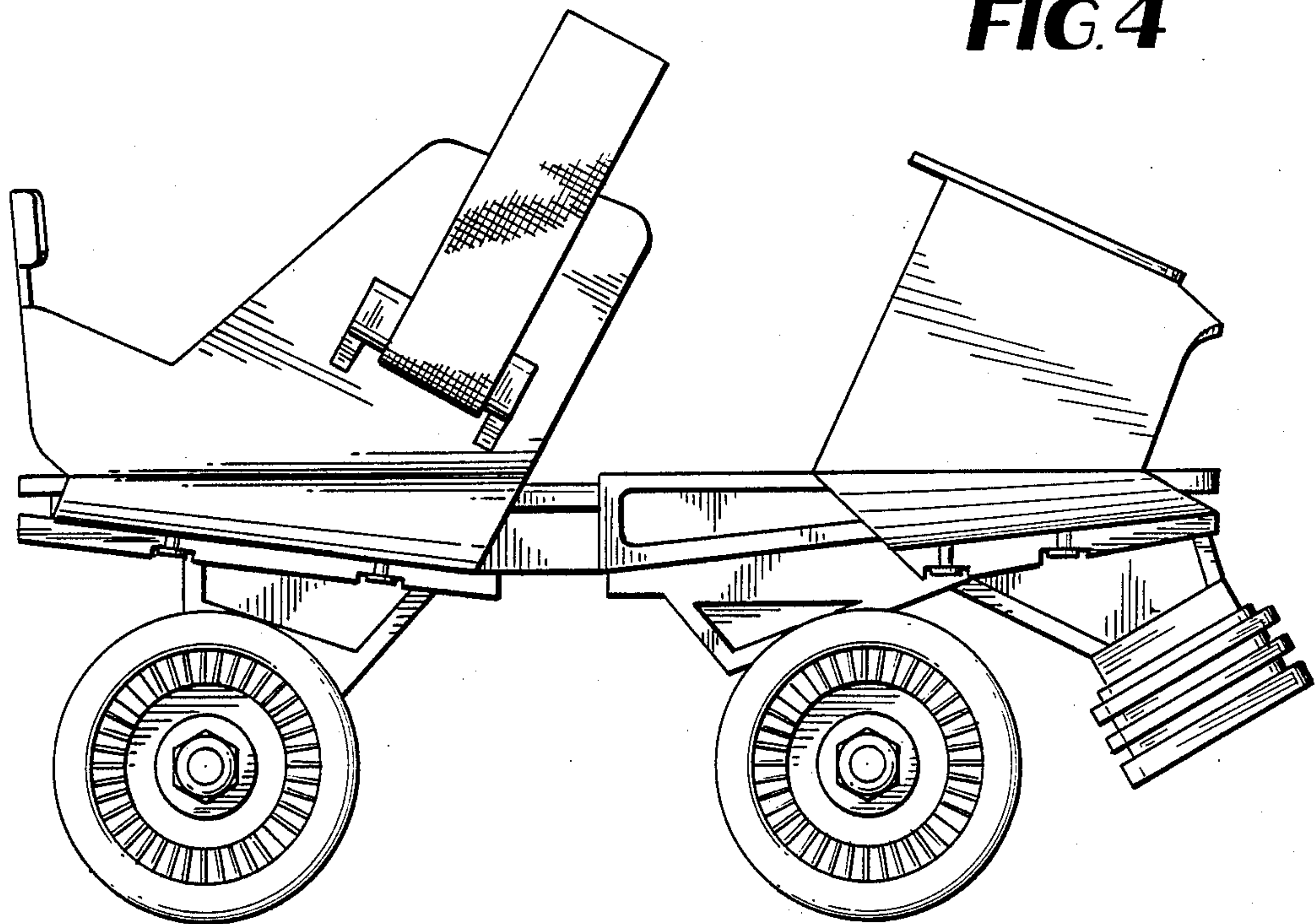


FIG. 6

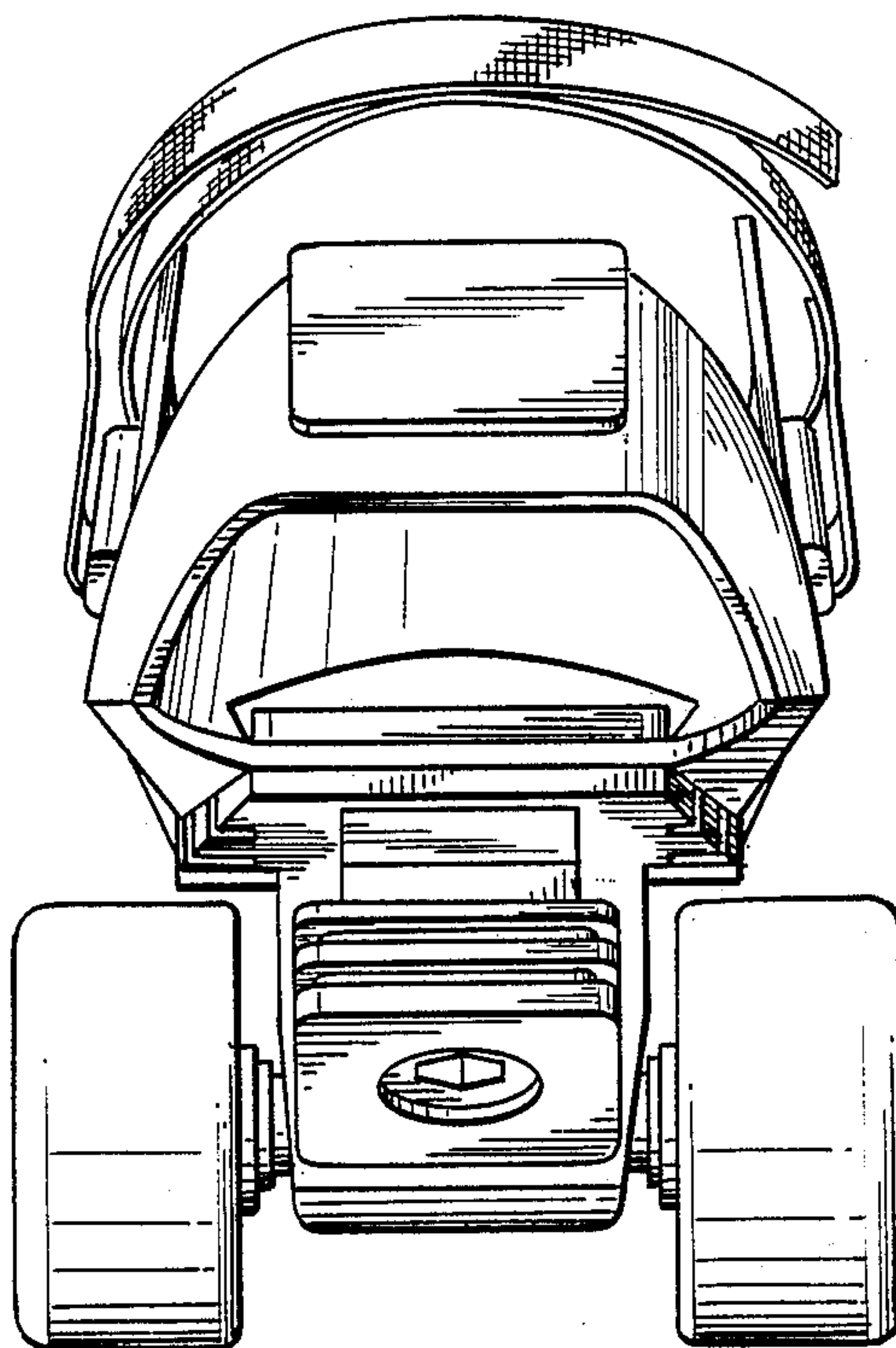
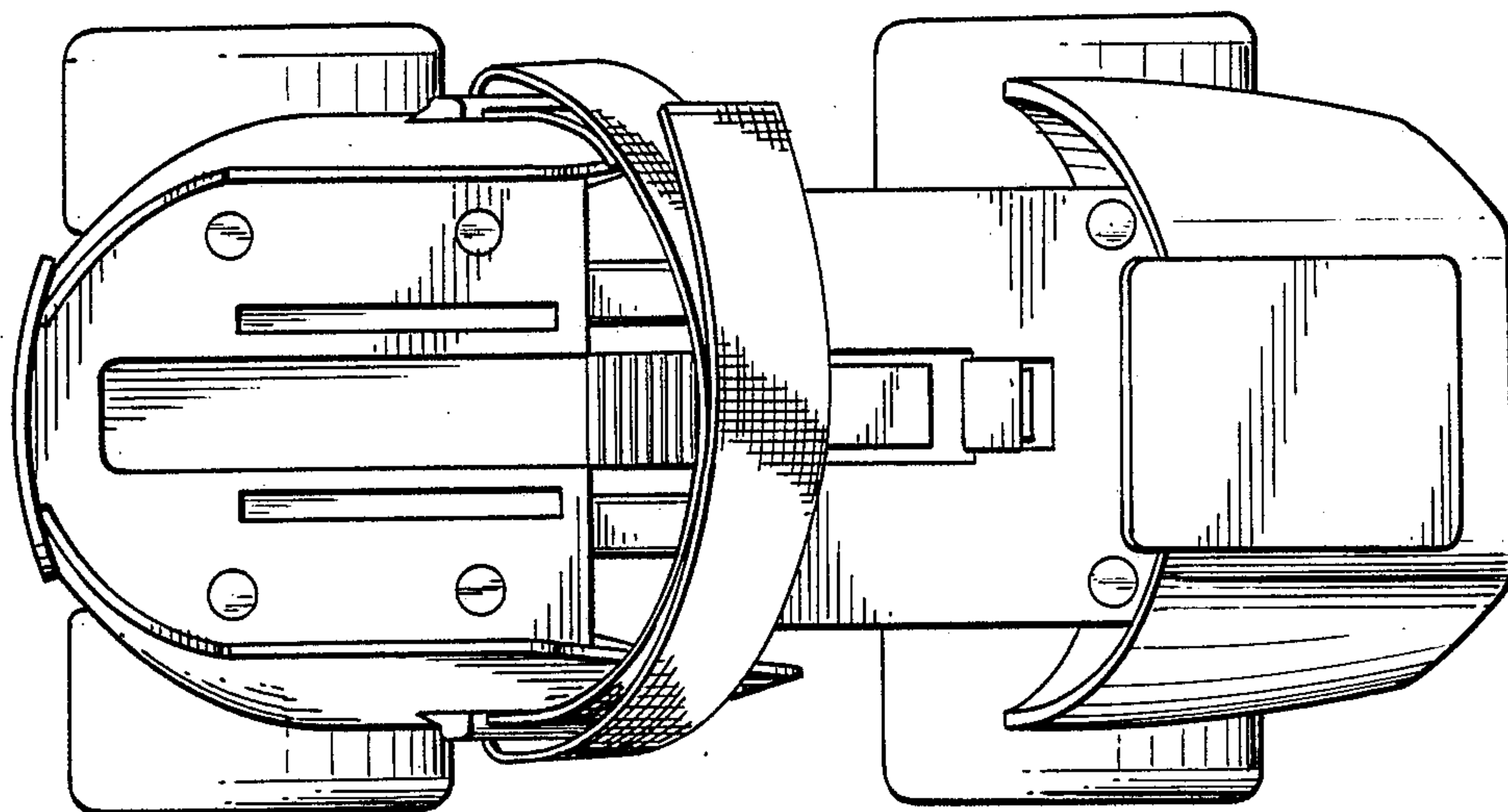


FIG. 5



UNITED STATES PATENT AND TRADEMARK OFFICE
CERTIFICATE OF CORRECTION

PATENT NO. : Des. 299,259
DATED : January 3, 1989
INVENTOR(S) : Vuillerme

It is certified that error appears in the above-identified patent and that said Letters Patent is hereby corrected as shown below:

On the title page

Add the following to the face of the patent:

[30] Foreign Application Priority Data

Aug. 7, 1985 [FR] France.....853814

**Signed and Sealed this
Twenty-fifth Day of April, 1989**

Attest:

Attesting Officer

DONALD J. QUIGG

Commissioner of Patents and Trademarks