

[54] PHYSICAL EXERCISER

[76] Inventor: Hal T. Naboshek, 7225 Claybrook, Dallas, Tex. 75231

[**] Term: 14 Years

[21] Appl. No.: 938,121

[22] Filed: Dec. 4, 1986

[52] U.S. Cl. D21/191; D21/198

[58] Field of Search D21/191-199; 272/93, 116, 125, 134, 144, 127

[56] References Cited

U.S. PATENT DOCUMENTS

D. 212,019	8/1968	Schawalder	D21/191
D. 216,529	2/1970	Bock	D21/191
D. 293,007	12/1987	Dittig	D21/191
3,006,643	10/1961	Ryan	D21/197

OTHER PUBLICATIONS

Marcy, "Next Generation", catalog, 10-1982, p. 17, item #218-C, Leg Exerciser.

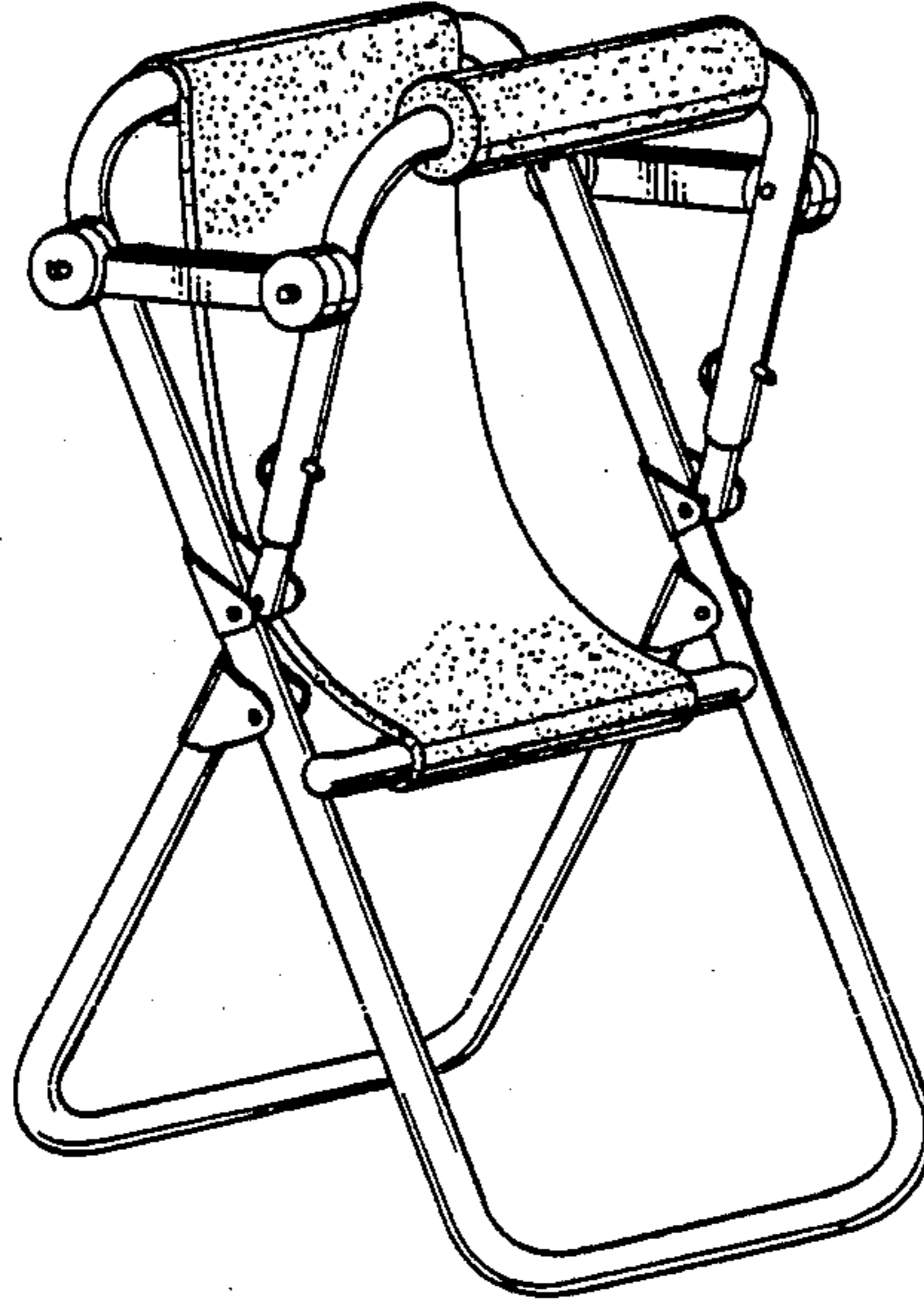
Primary Examiner—Charles A. Rademaker
Attorney, Agent, or Firm—Kanz, Scherback & Timmons

[57] CLAIM

The ornamental design for a physical exerciser, as shown and described.

DESCRIPTION

FIG. 1 is a perspective view of a physical exerciser showing my new design;
FIG. 2 is a side elevational view thereof, the opposite side being a mirror image of the view of FIG. 2;
FIG. 3 is a front elevational view thereof;
FIG. 4 is a rear elevational view thereof;
FIG. 5 is a top plan view thereof; and
FIG. 6 is a bottom plan view thereof.



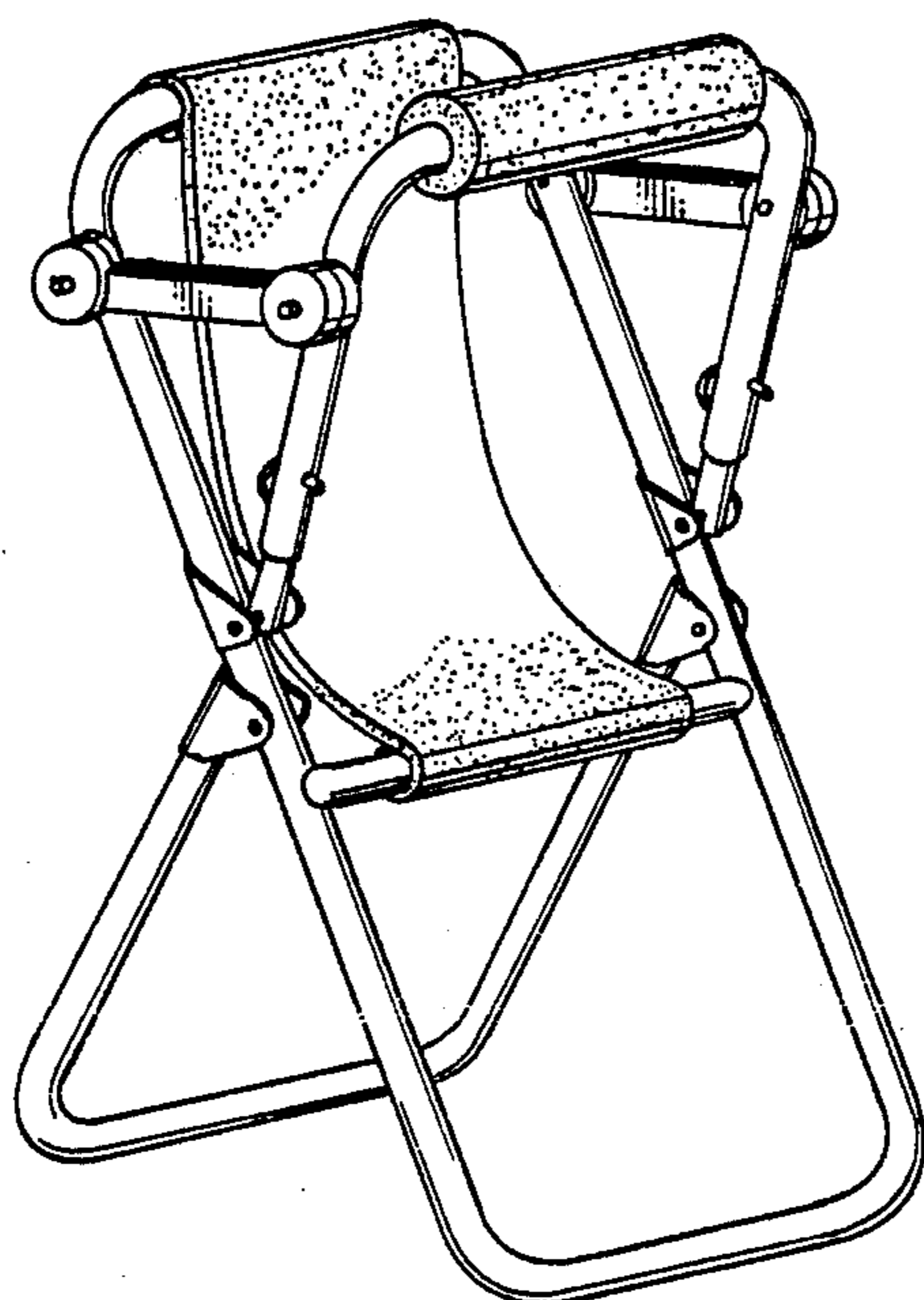


Fig. 1

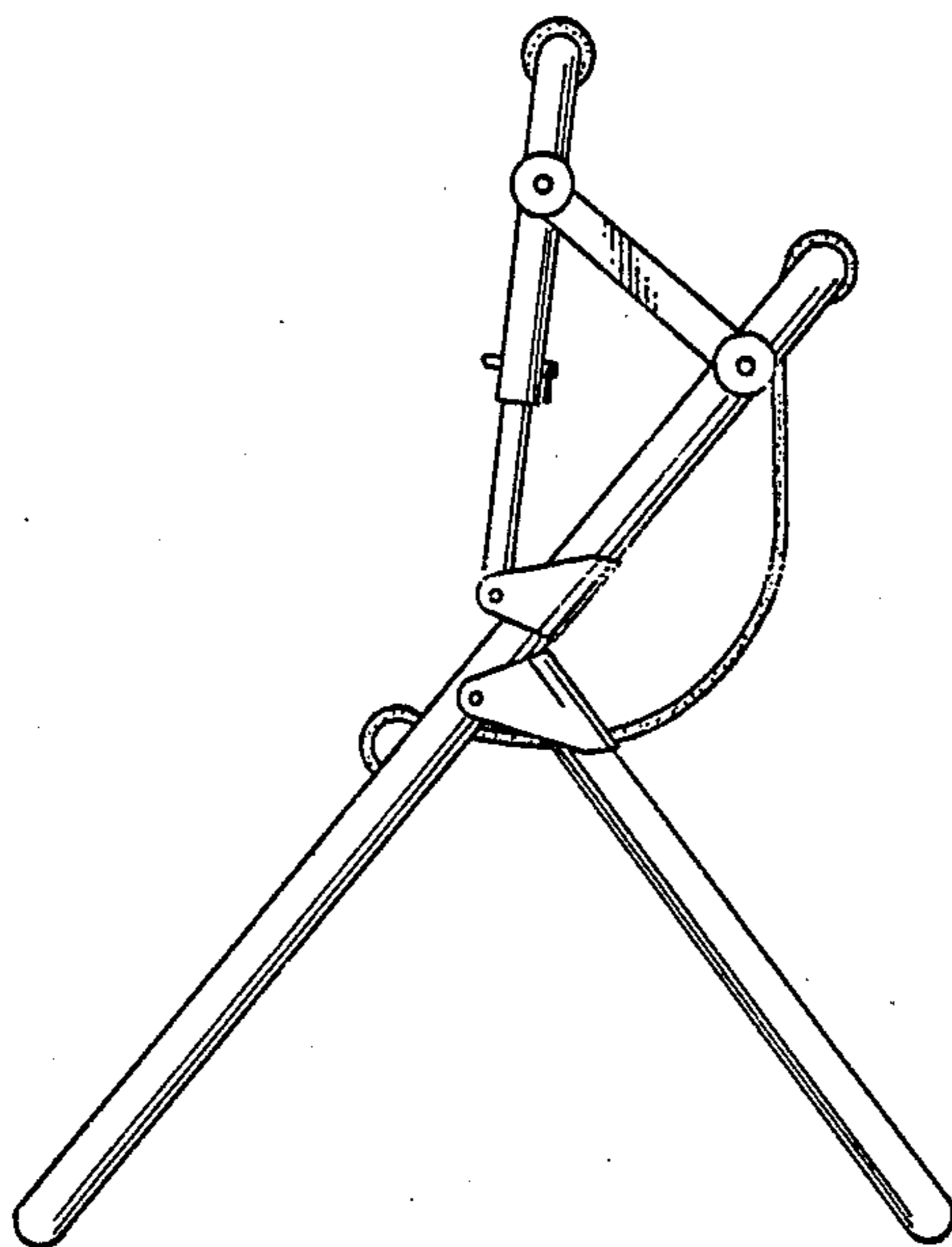


Fig. 2

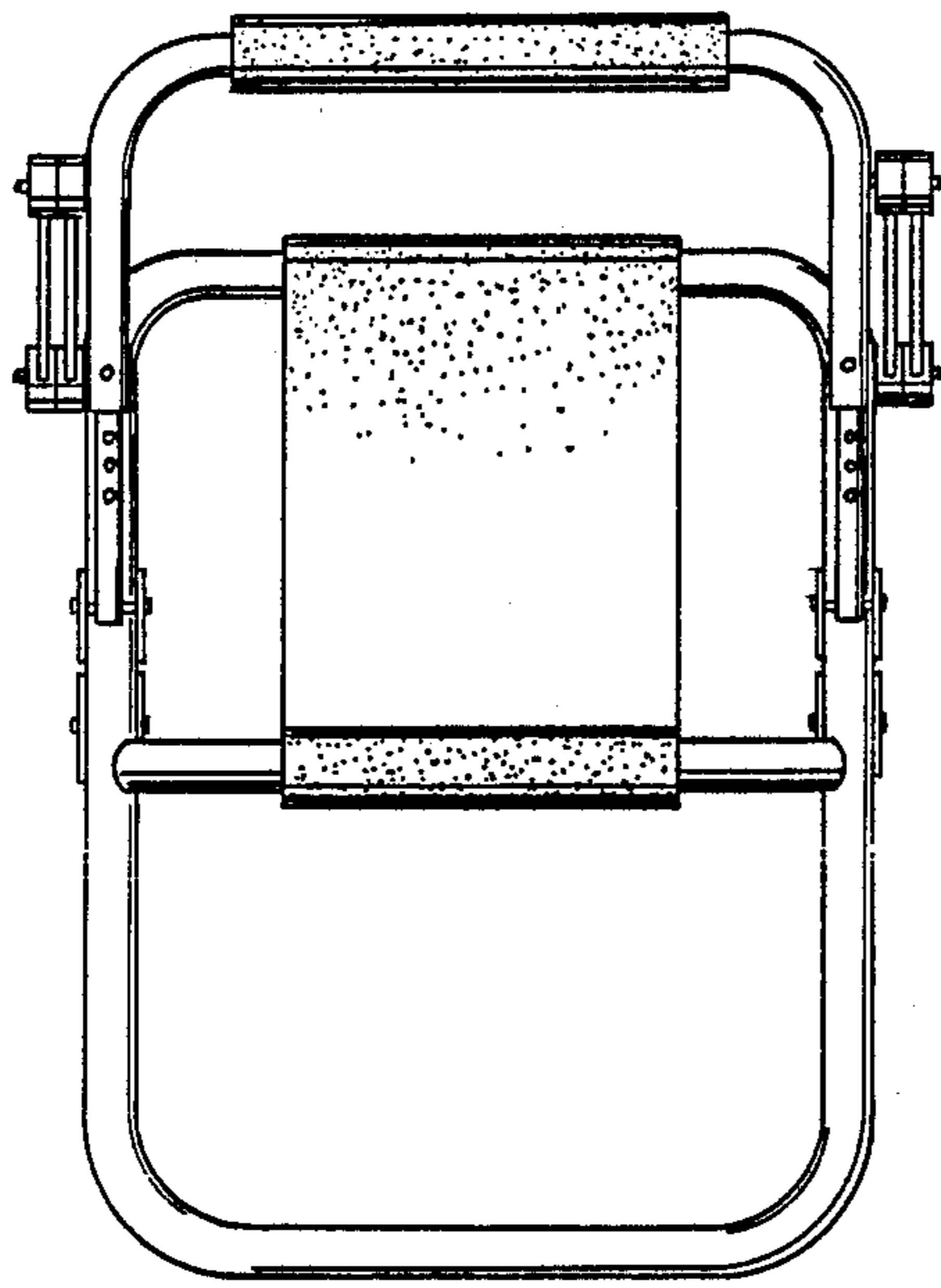


Fig. 3

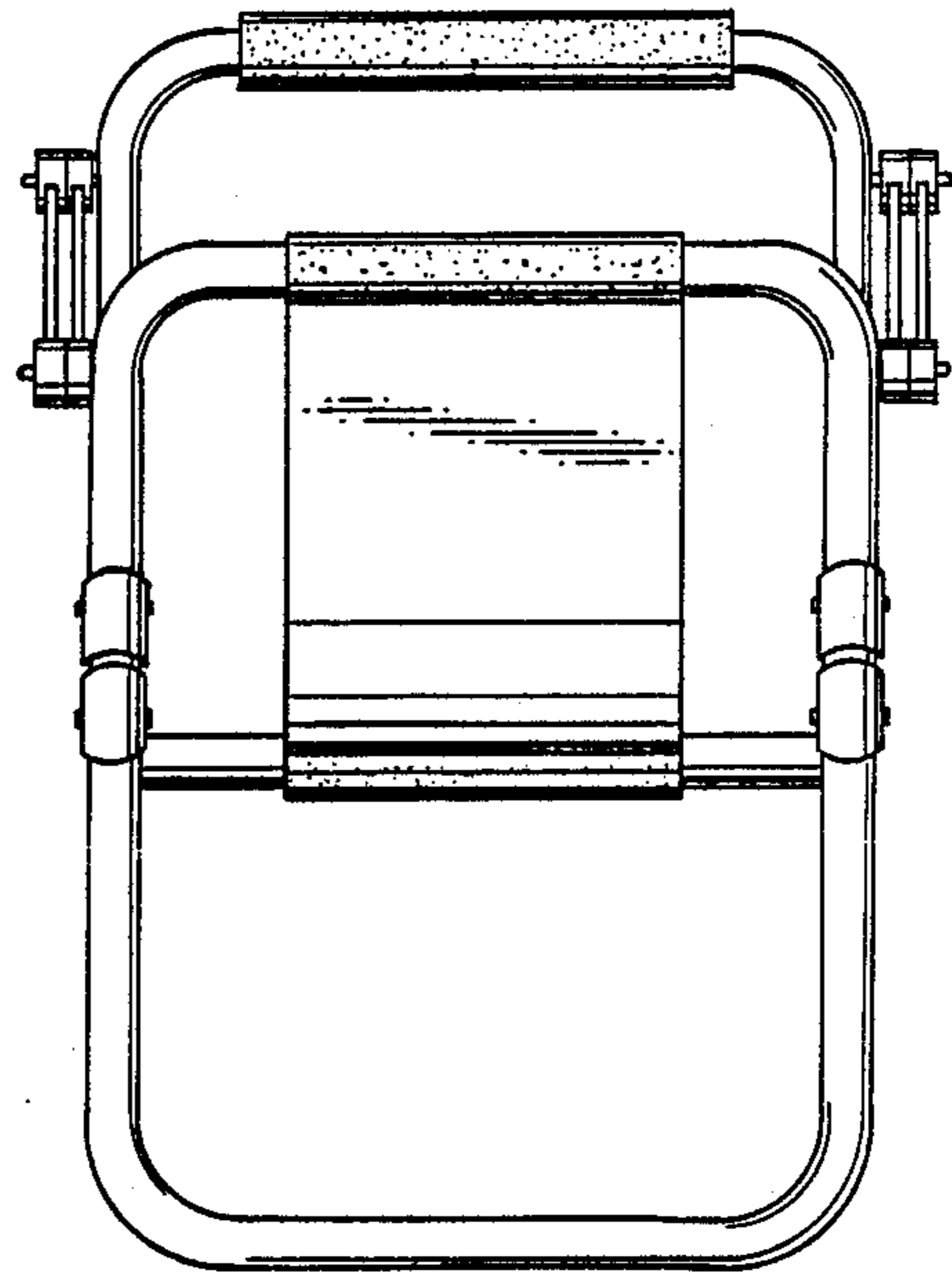


Fig. 4

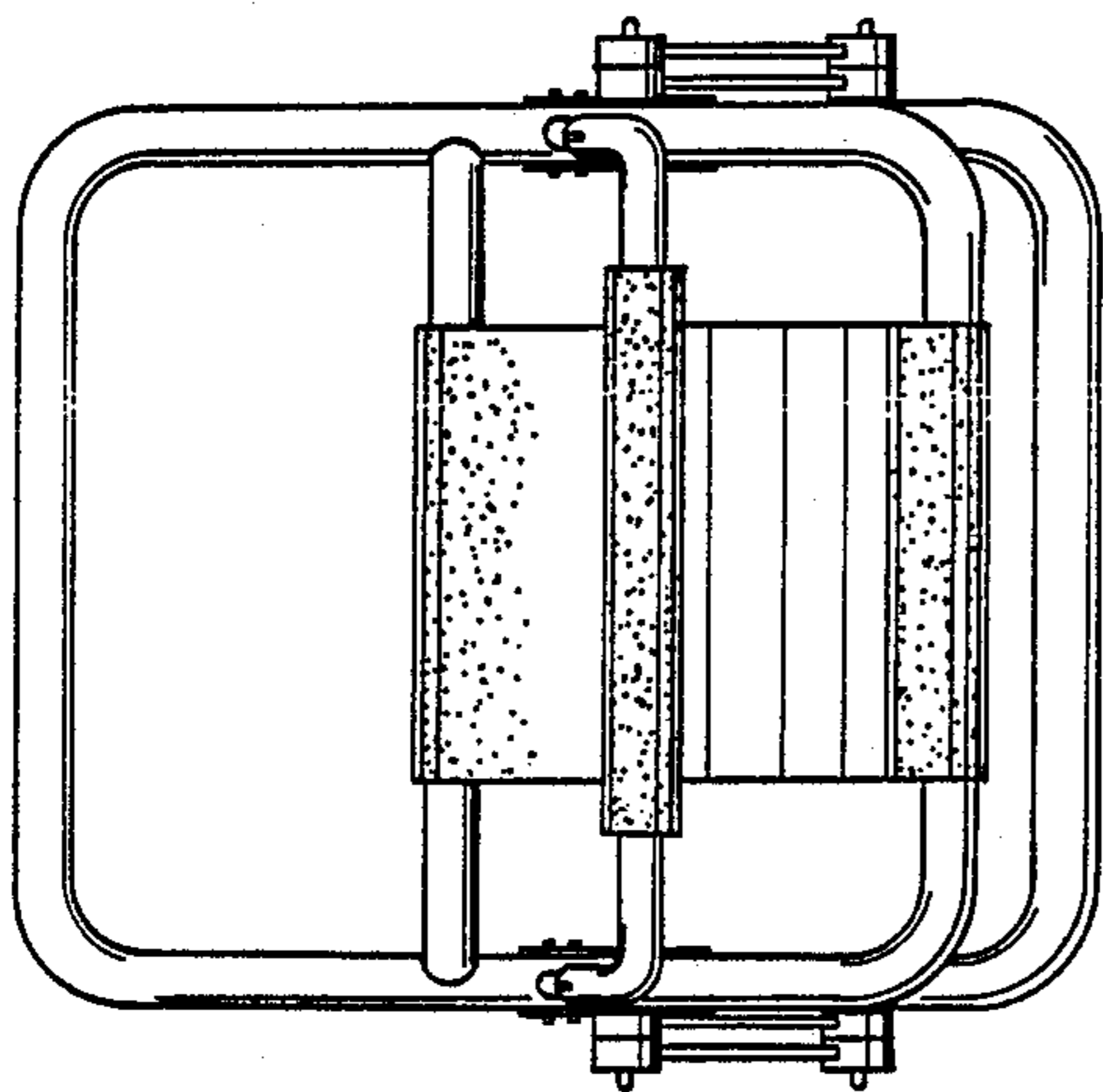


Fig. 5

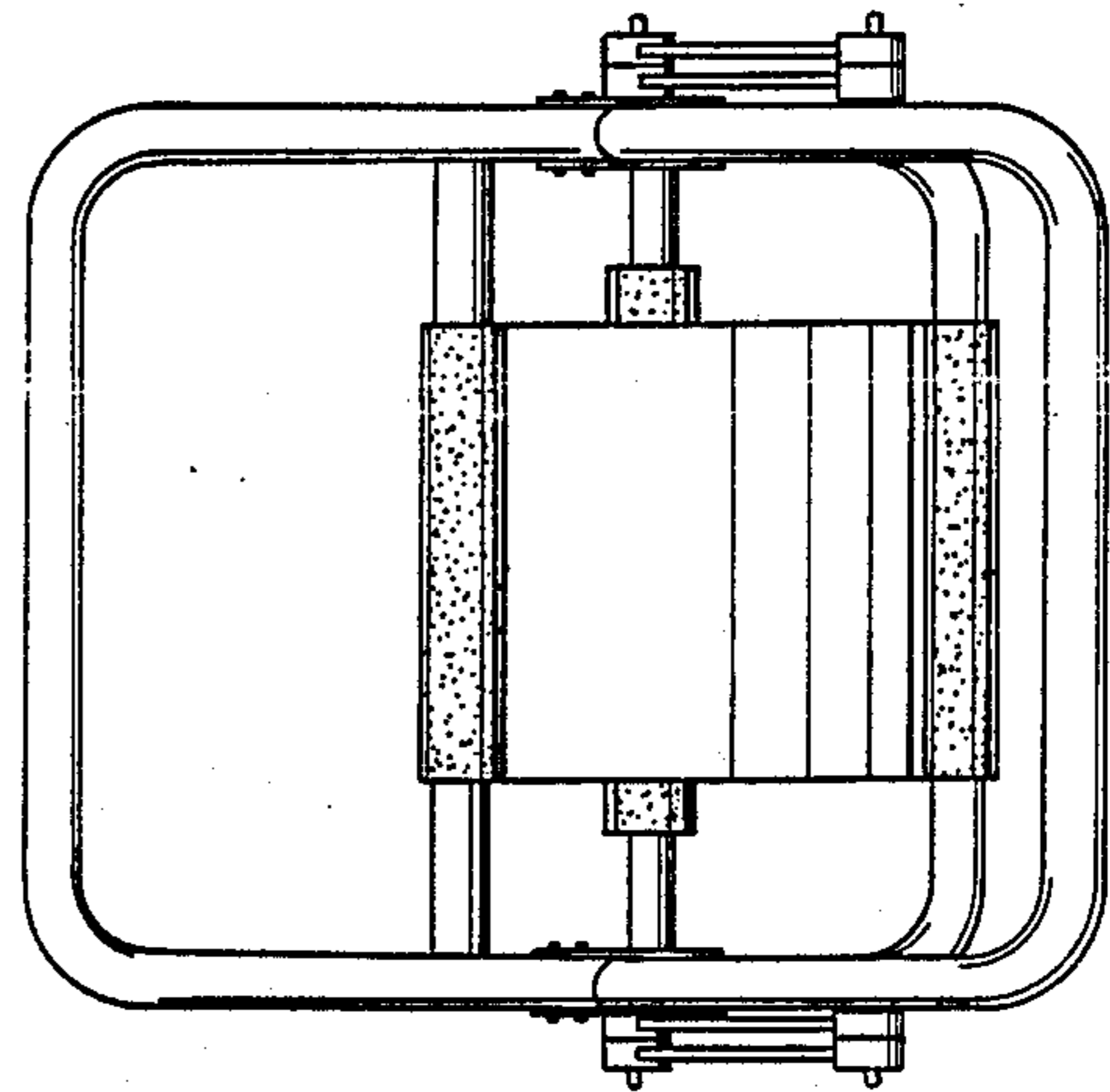


Fig. 6