

[54] MARBLE BASEBALL GAME BOARD

[76] Inventor: Thomas M. Boone, 2412 Huron St., Baltimore, Md. 21230

[\*\*] Term: 14 Years

[21] Appl. No.: 793,433

[22] Filed: Oct. 29, 1985

[52] U.S. Cl. .... D21/11

[58] Field of Search ..... D21/11, 28; 273/88

[56] References Cited

U.S. PATENT DOCUMENTS

930,164	8/1909	Eberman	273/88
1,299,304	4/1919	Cramer	D21/11
2,248,295	7/1941	Bestoso	273/88
2,596,439	5/1952	Rose	273/88

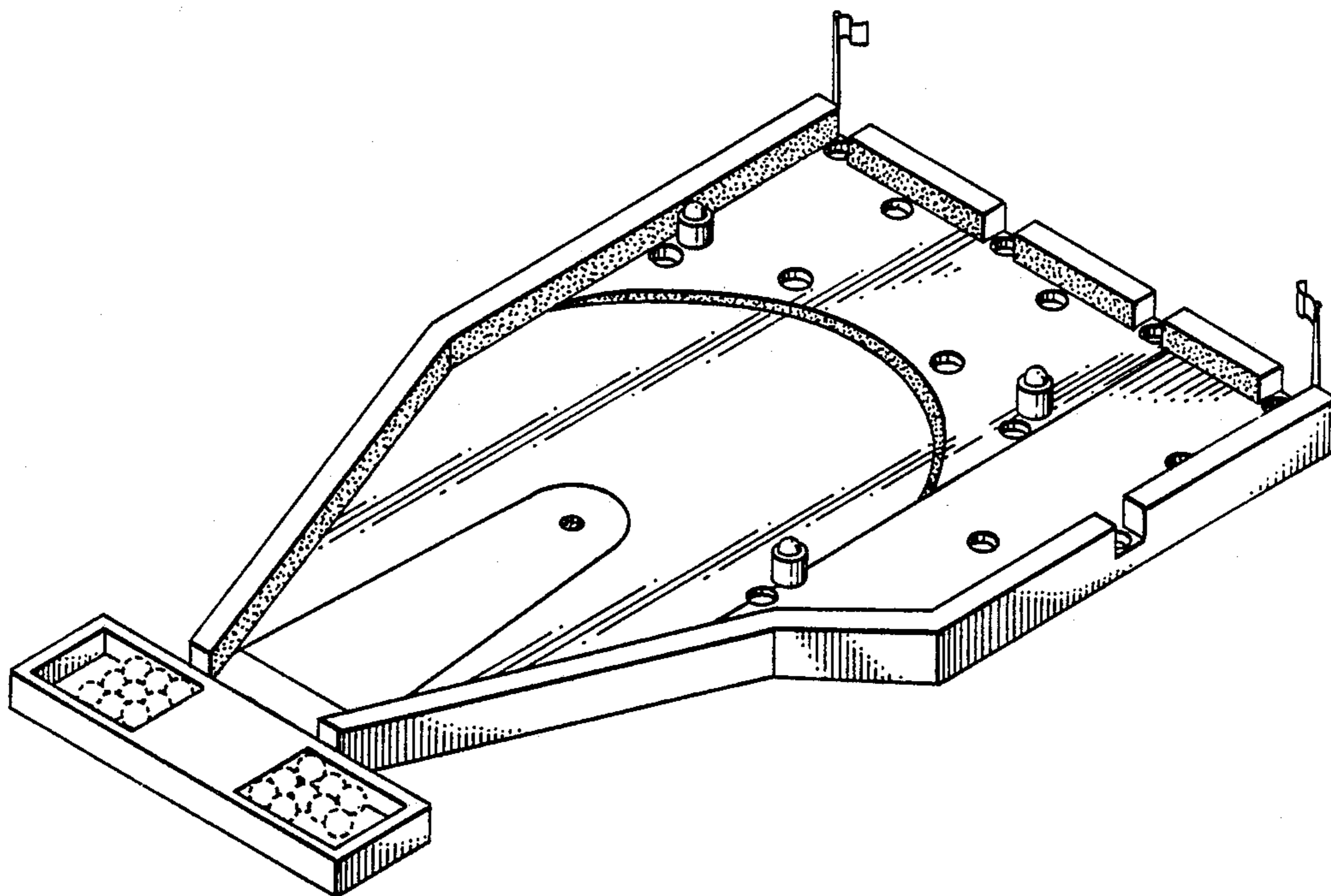
Primary Examiner—Melvin B. Feifer  
Attorney, Agent, or Firm—Walter G. Finch

[57] CLAIM

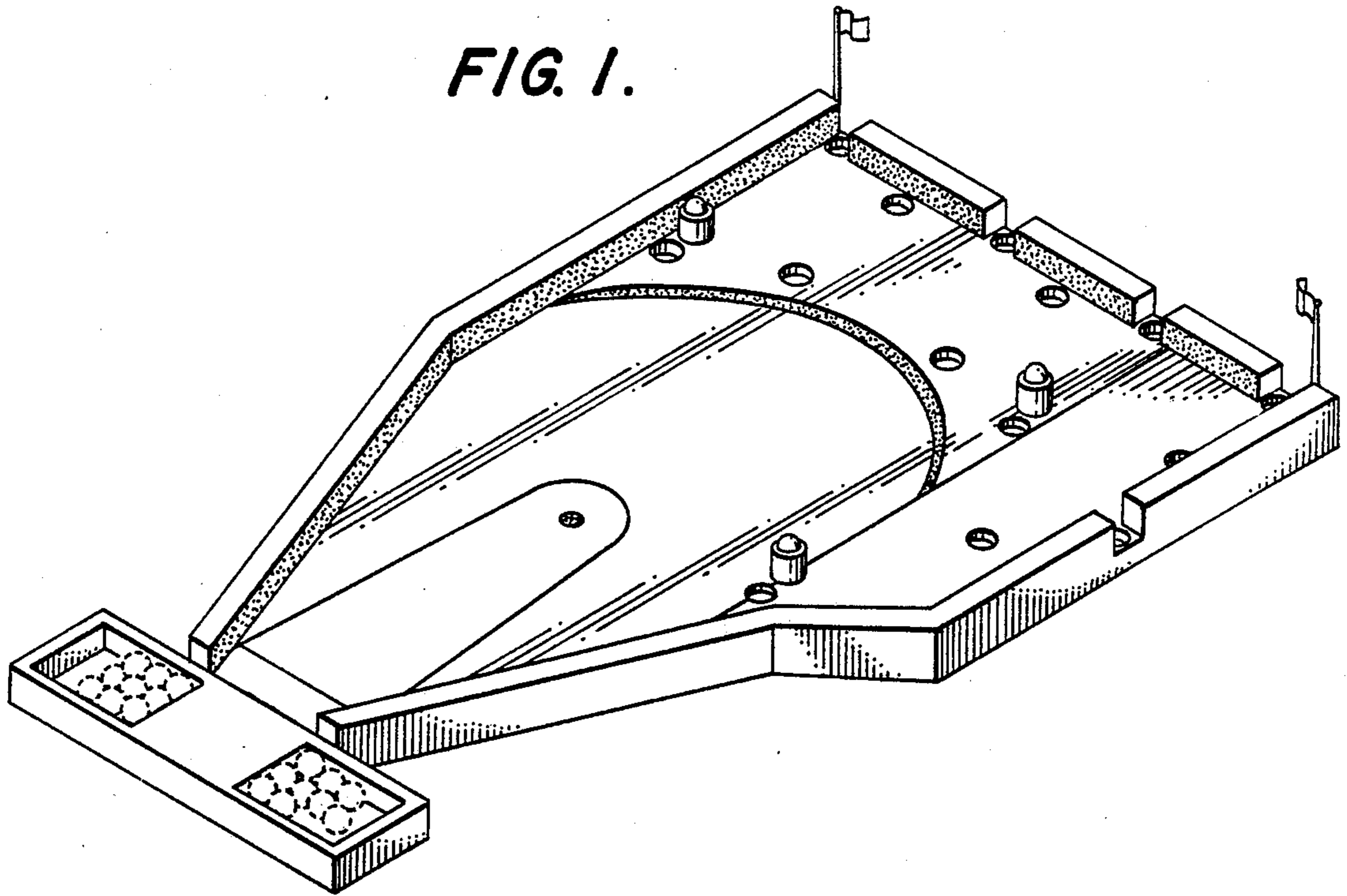
The ornamental design for a marble baseball game board, as shown and described.

DESCRIPTION

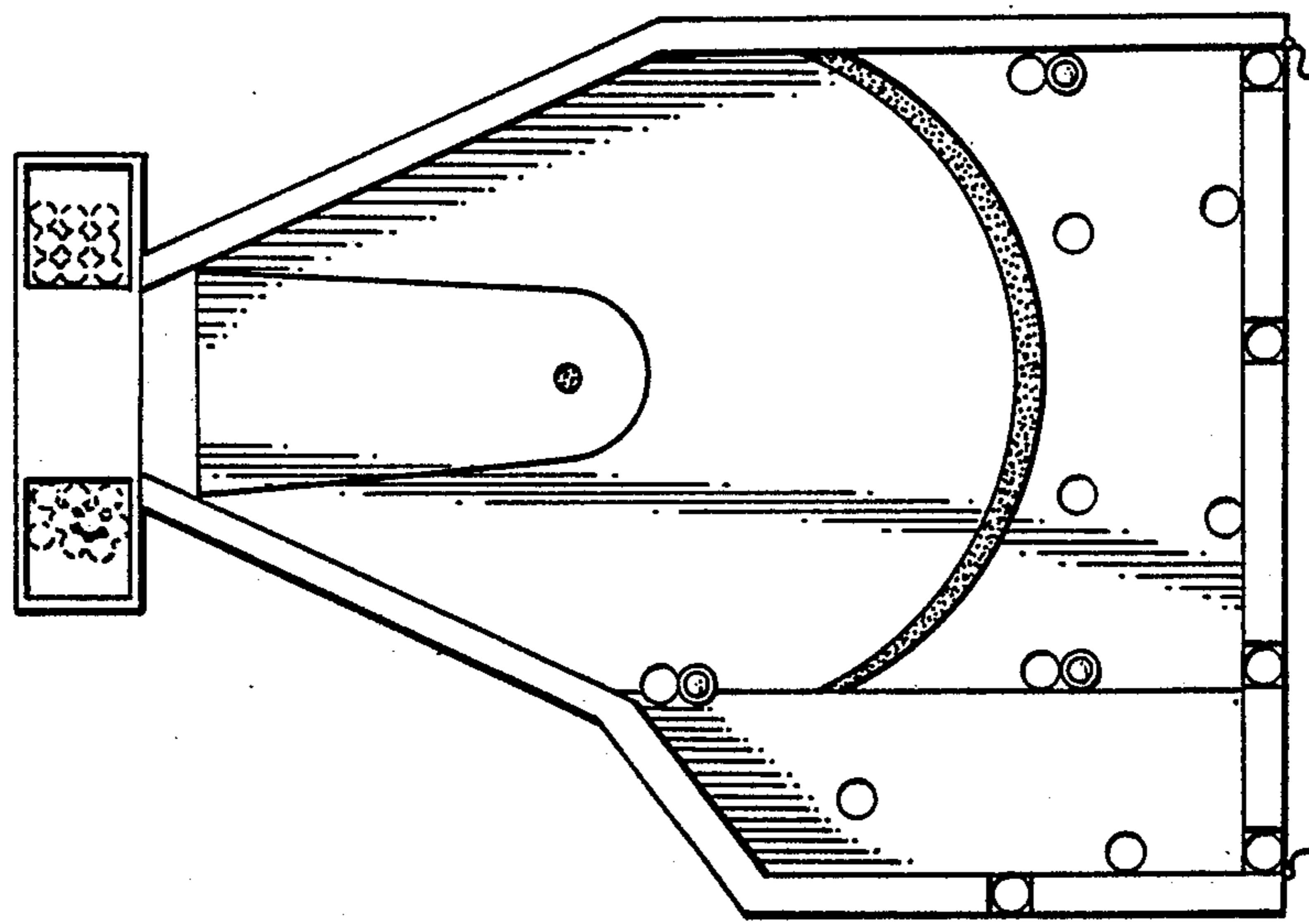
FIG. 1 is a perspective view of a marble baseball game board showing my new design;  
 FIG. 2 is a top plan view of the marble baseball game board of FIG. 1;  
 FIG. 3 is a side elevational view of the marble baseball game board of FIG. 1;  
 FIG. 4 is a rear end view of the marble baseball game board of FIG. 2;  
 FIG. 5 is the opposite side of the marble baseball game board of FIG. 2; and  
 FIG. 6 is the opposite front end of the marble baseball game board of FIG. 2.  
 The broken line showing of marbles is for illustrative purposes only.



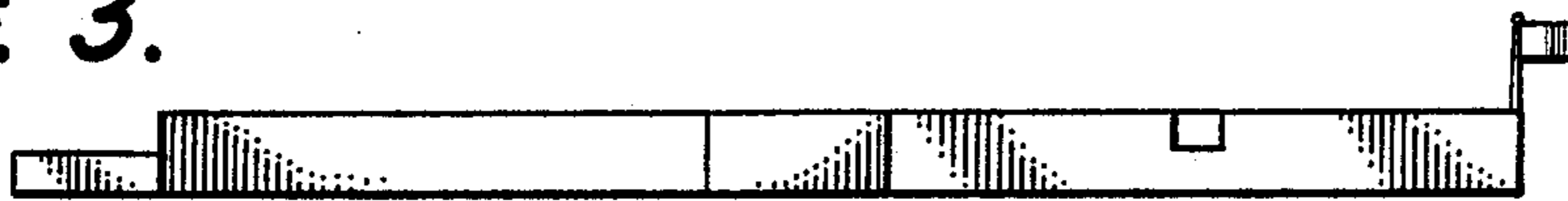
**FIG. 1.**



**FIG. 2.**



**FIG. 3.**



**FIG. 4.**



**FIG. 5.**



**FIG. 6.**

