

[54] NAME PLATE

843,235 2/1907 Richardson ..... 40/611  
4,161,834 7/1979 Hendricks, Jr. .... 40/606

[75] Inventors: Frank J. Martin; Murray Hartman;  
Randy Saunders, all of Ontario,  
Canada

Primary Examiner—James M. Gandy  
Attorney, Agent, or Firm—Sanford J. Asman

[73] Assignee: Schlumberger Canada Limited,  
Toronto, Canada

[57] CLAIM

The ornamental design for a name plate, as shown and described.

[\*\*] Term: 14 Years

DESCRIPTION

[21] Appl. No.: 727,875

[22] Filed: Apr. 26, 1985

[52] U.S. Cl. .... D20/42

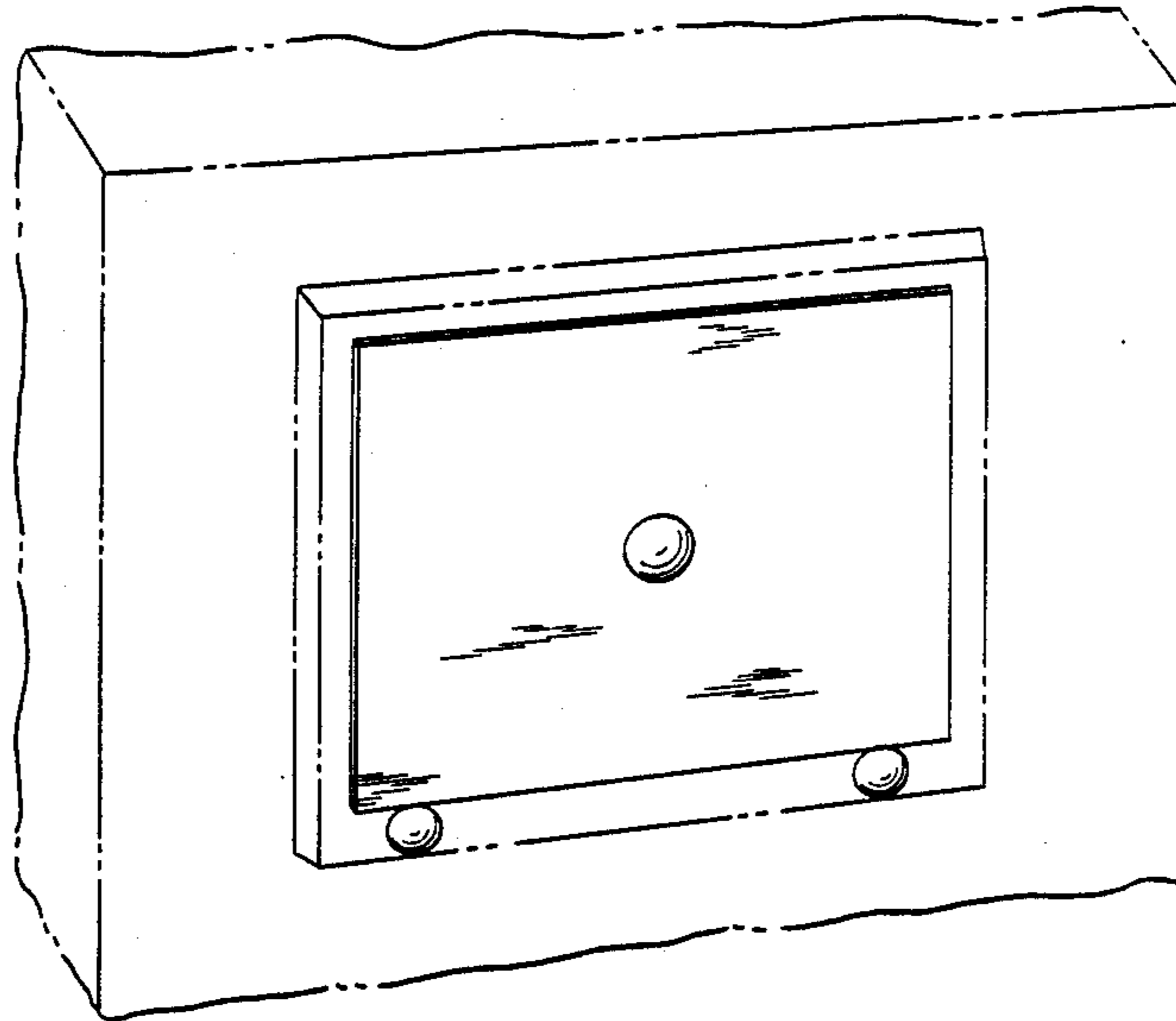
[58] Field of Search ..... D20/10, 15, 42; 40/584,  
40/585, 606, 611

FIG. 1 is a perspective view of a name plate showing our new design;  
FIG. 2 is a side view thereof, the opposite side being identical;  
FIG. 3 is a top view thereof; and  
FIG. 4 is a bottom view thereof.  
The broken line disclosure included in FIG. 1 is for illustrative purposes only and forms no part of the claimed design.

[56] References Cited

U.S. PATENT DOCUMENTS

614,953 11/1898 Hotchkiss ..... 40/611



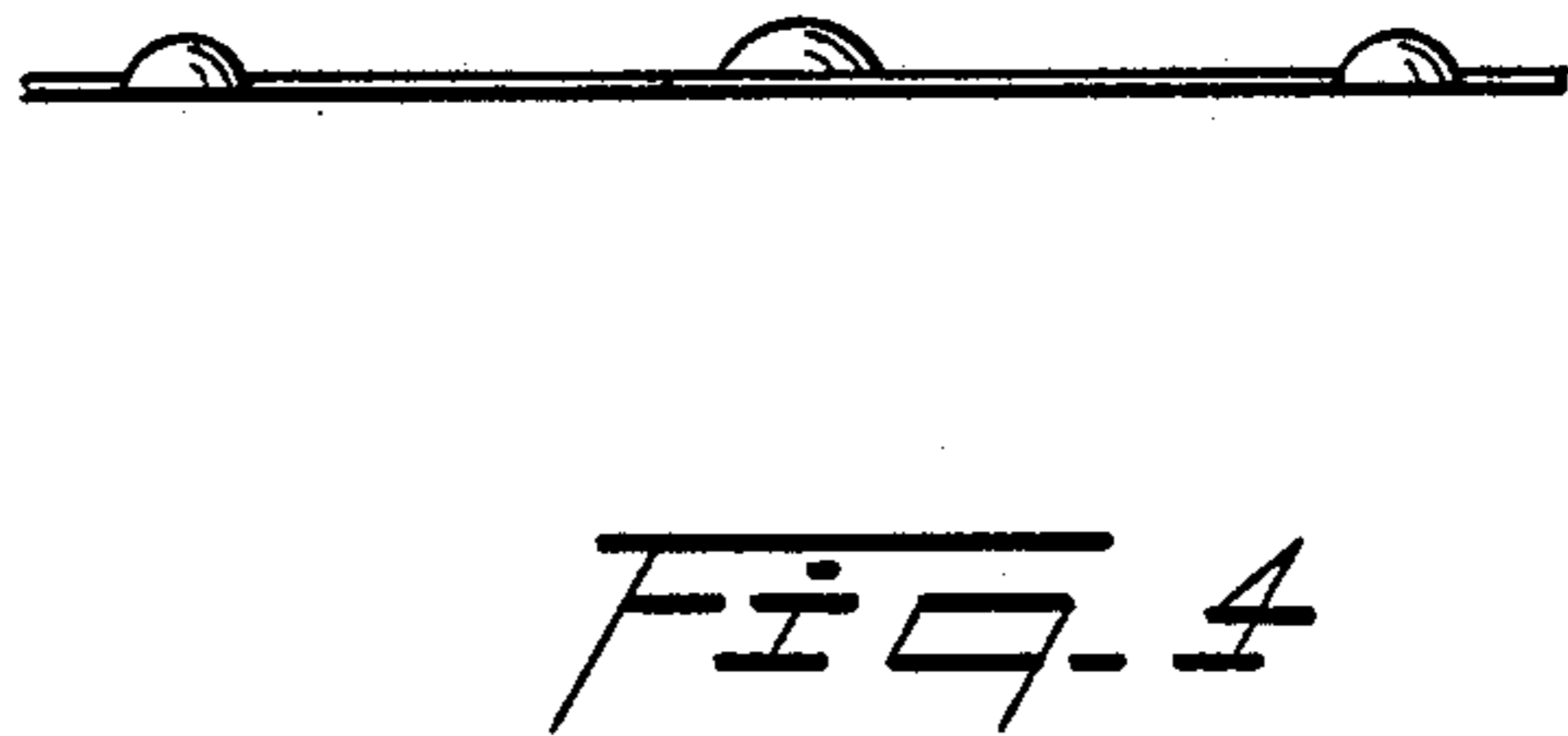
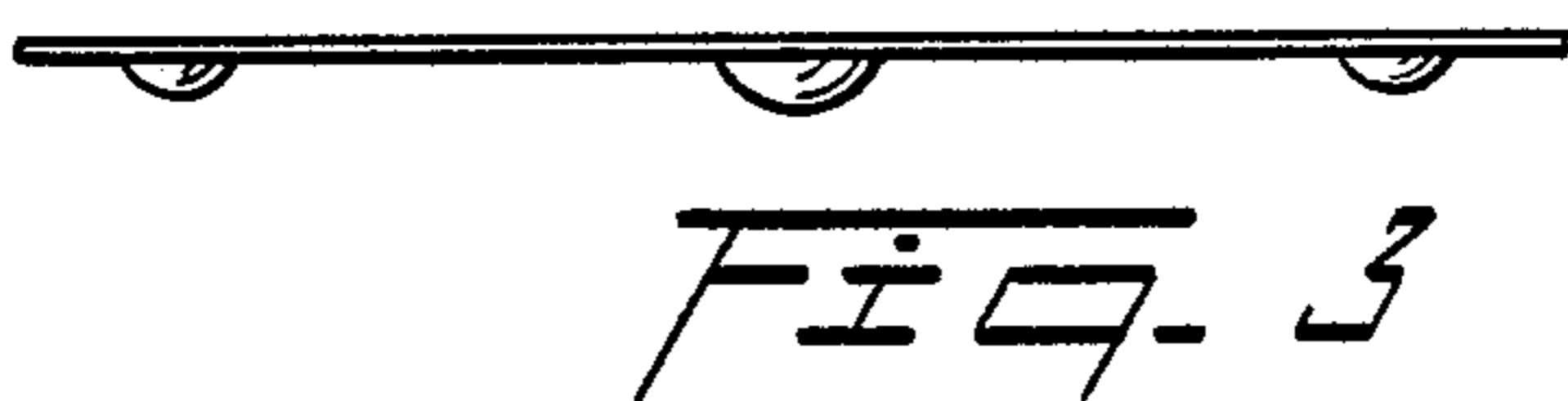
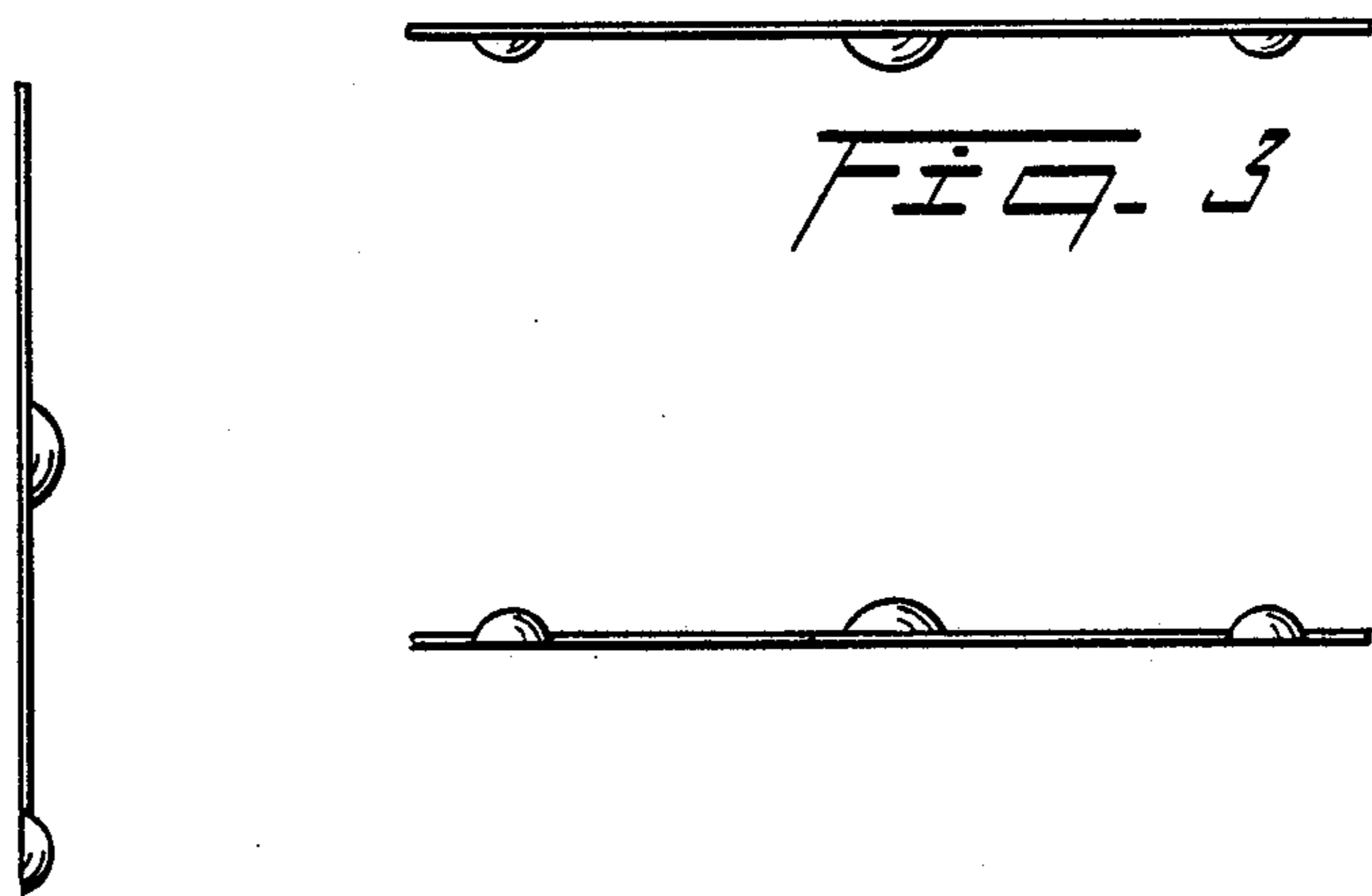
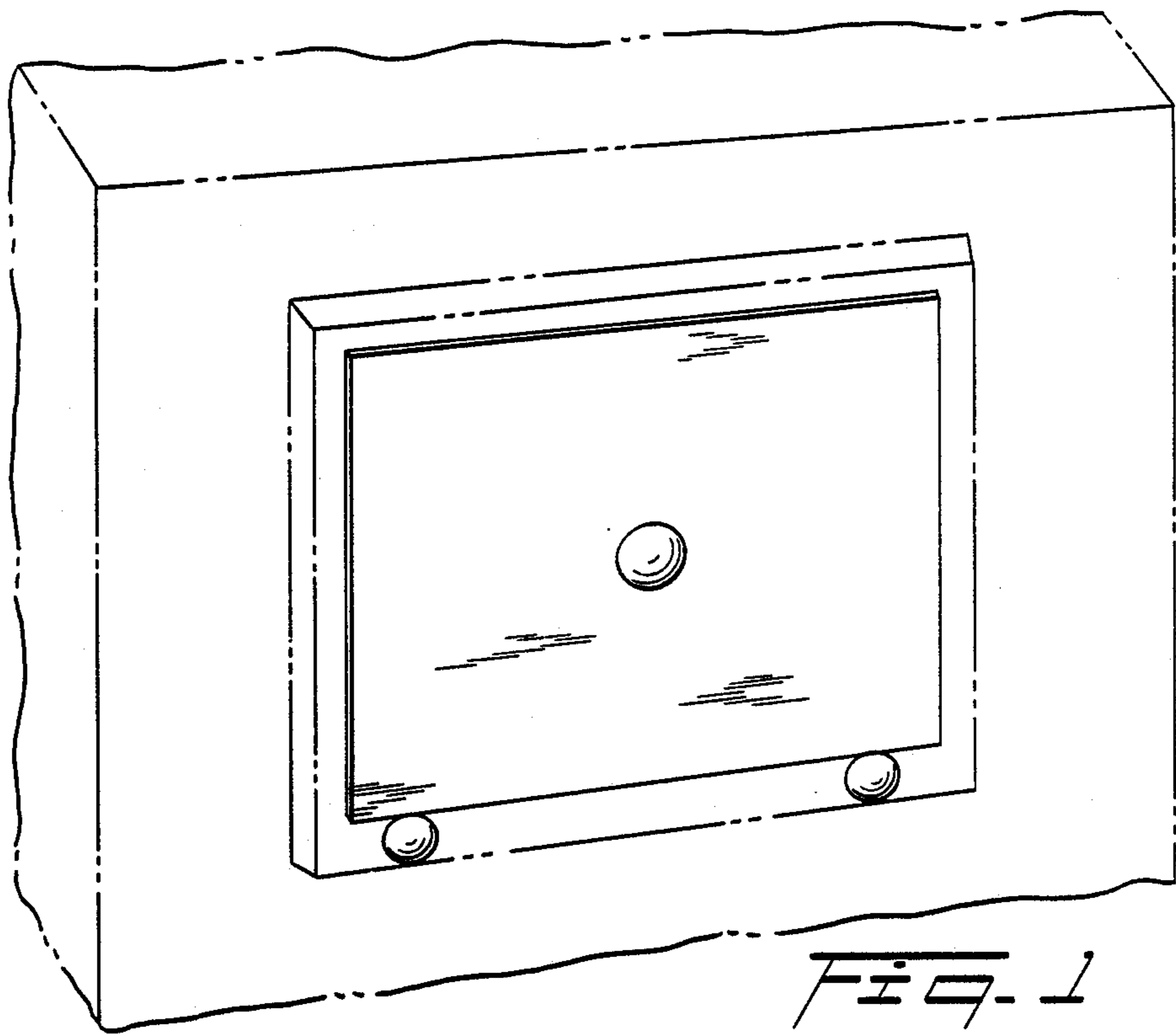


Fig. 2