

[54] TYPEWRITER

[75] Inventors: Taro Kasagi, Tokyo; Kenji Tamada, Sayama; Yoshimitsu Nagashima, Higashimurayama, all of Japan

[73] Assignee: Silver Seiko Limited, Japan

[**] Term: 14 Years

[21] Appl. No.: 906,776

[22] Filed: Sep. 11, 1986

[30] Foreign Application Priority Data

Mar. 11, 1986 [JP] Japan 61-8667
[52] U.S. Cl. D18/1
[58] Field of Search D18/1, 2, 11, 12;
400/689-694

[56] References Cited

U.S. PATENT DOCUMENTS

D. 190,256 5/1961 Covey D18/1

D. 278,247 4/1985 Miyamoto et al. D18/1
D. 281,252 11/1985 Kato et al. D18/1
D. 290,615 6/1987 Yamamoto D18/1
D. 290,849 7/1987 Gubbe et al. D18/1
D. 291,323 8/1987 Kasagi et al. D18/1

Primary Examiner—Louis S. Zarfes
Attorney, Agent, or Firm—McGlew and Tuttle

[57] CLAIM

The ornamental design for a typewriter, as shown and described.

DESCRIPTION

FIG. 1 is a rear elevational view of a typewriter showing our new design;
FIG. 2 is a top plan view;
FIG. 3 is a front elevational view;
FIG. 4 is a bottom plan view;
FIG. 5 is a left side elevational view;
FIG. 6 is a right side elevational view;
FIG. 7 is a perspective view; and,
FIG. 8 is a perspective view in a position of use.

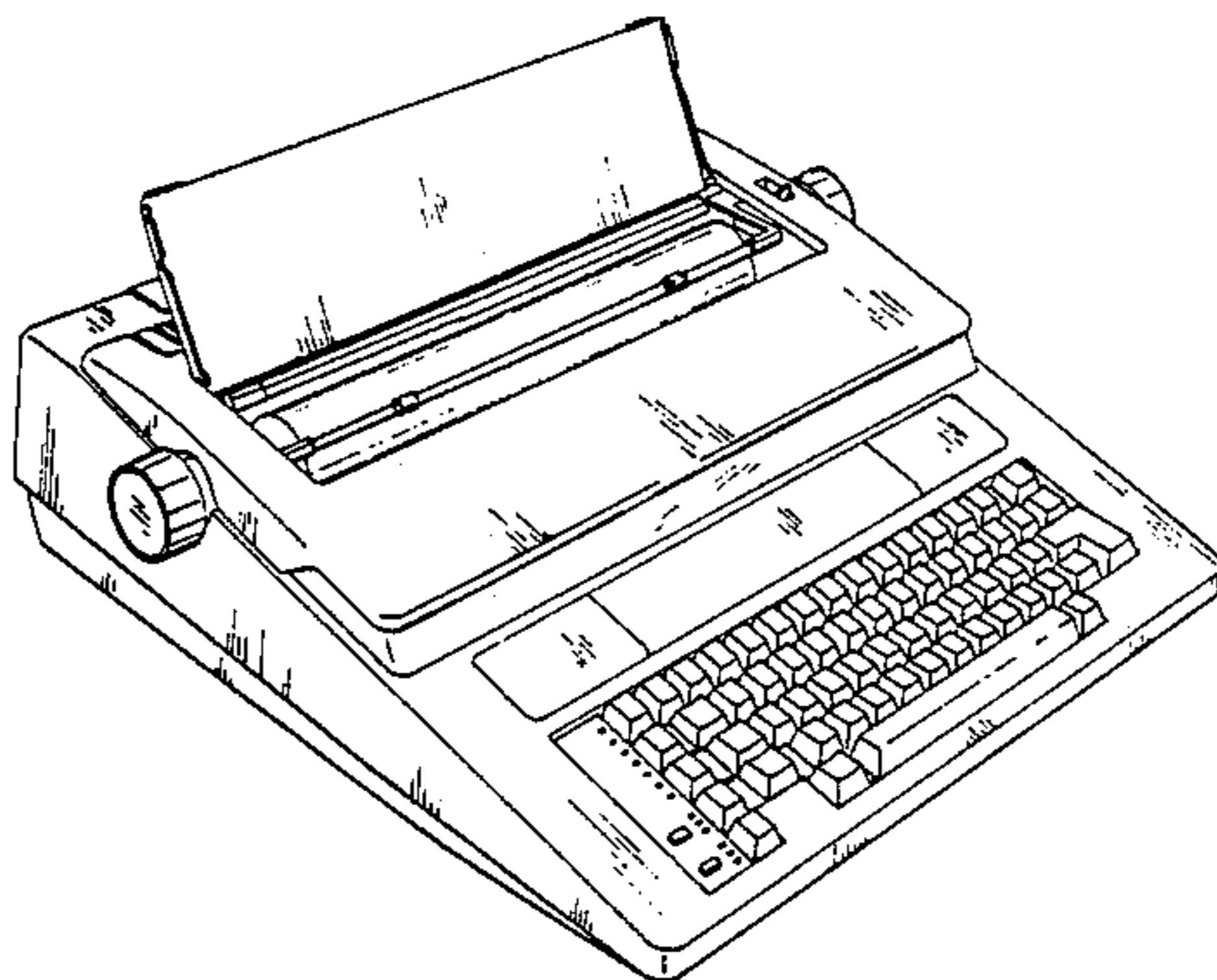
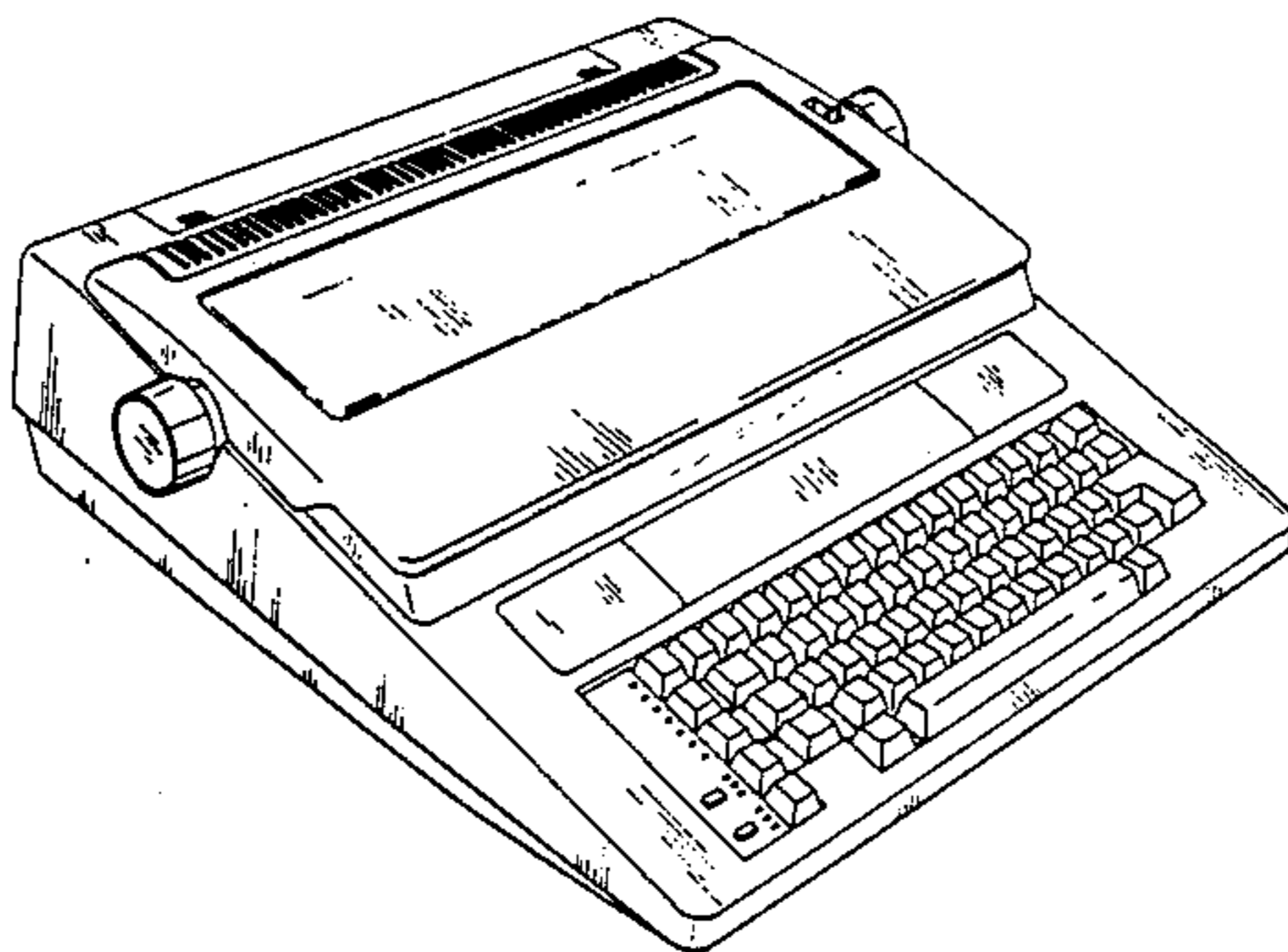


FIG. 4

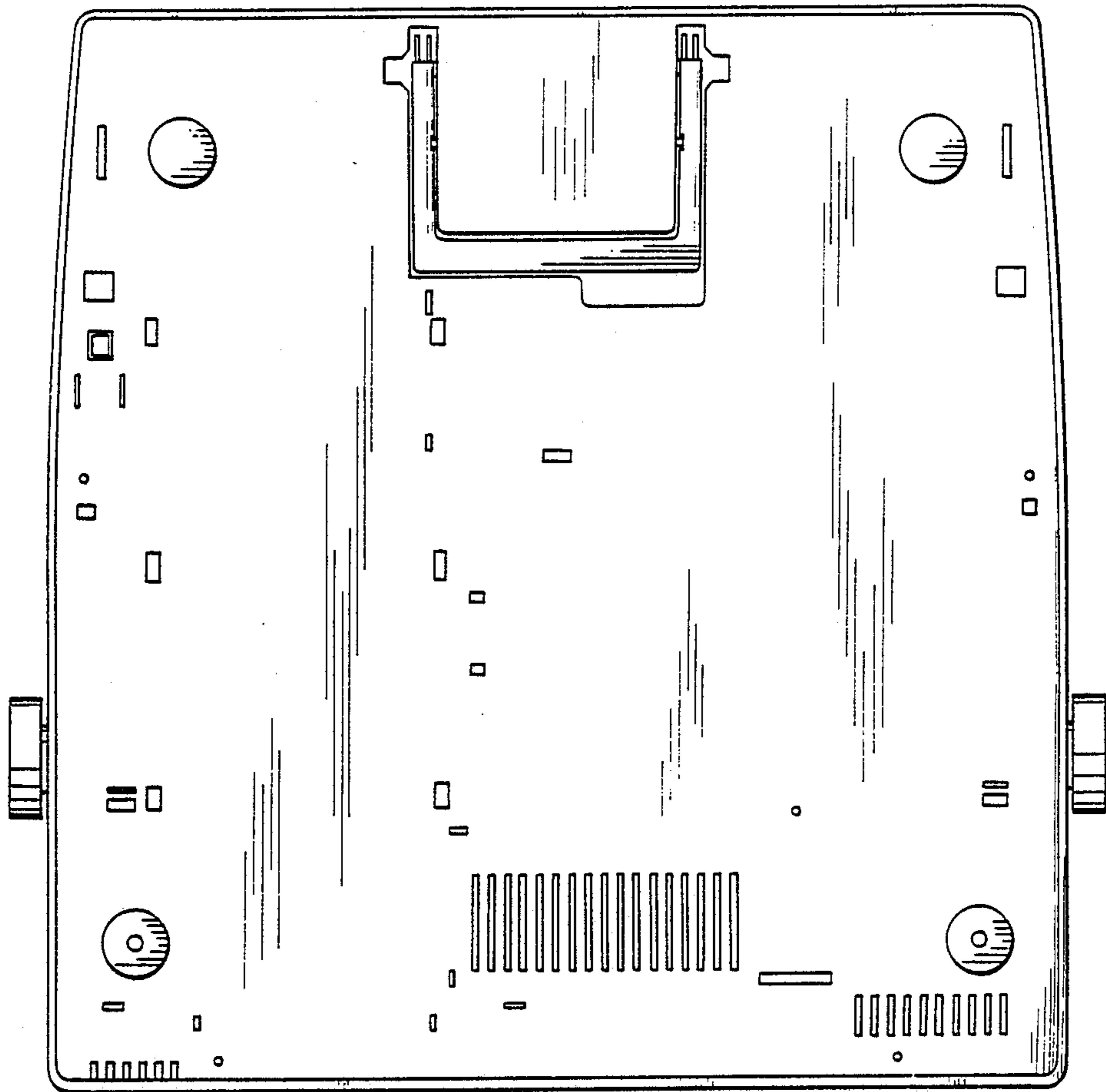


FIG. 1

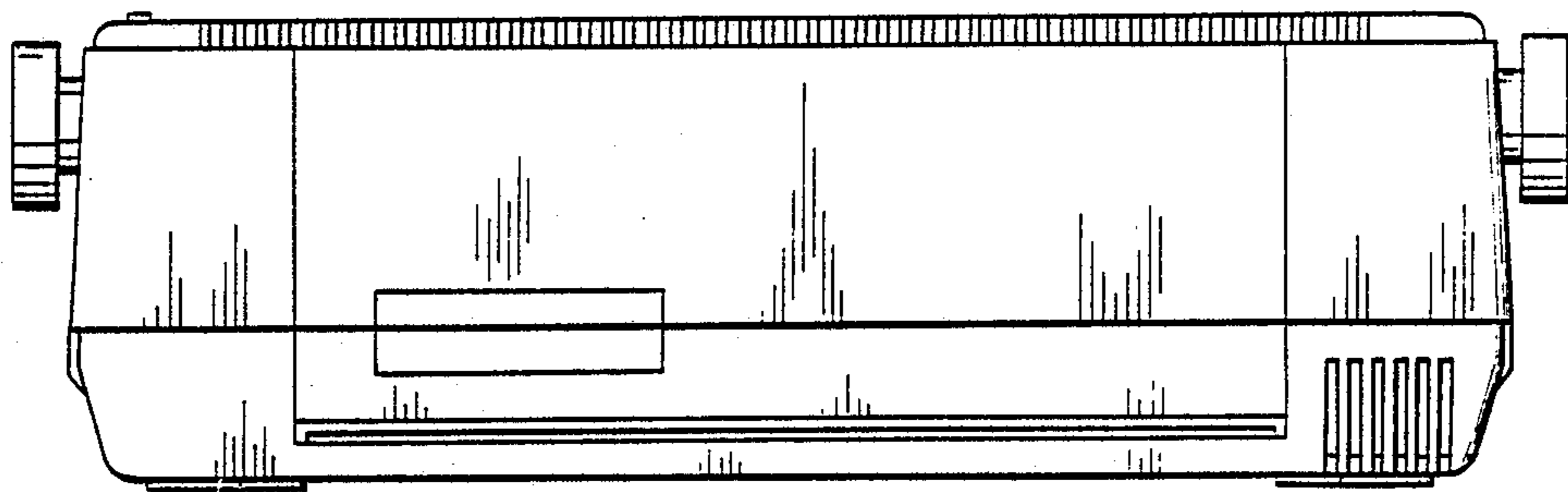


FIG. 2

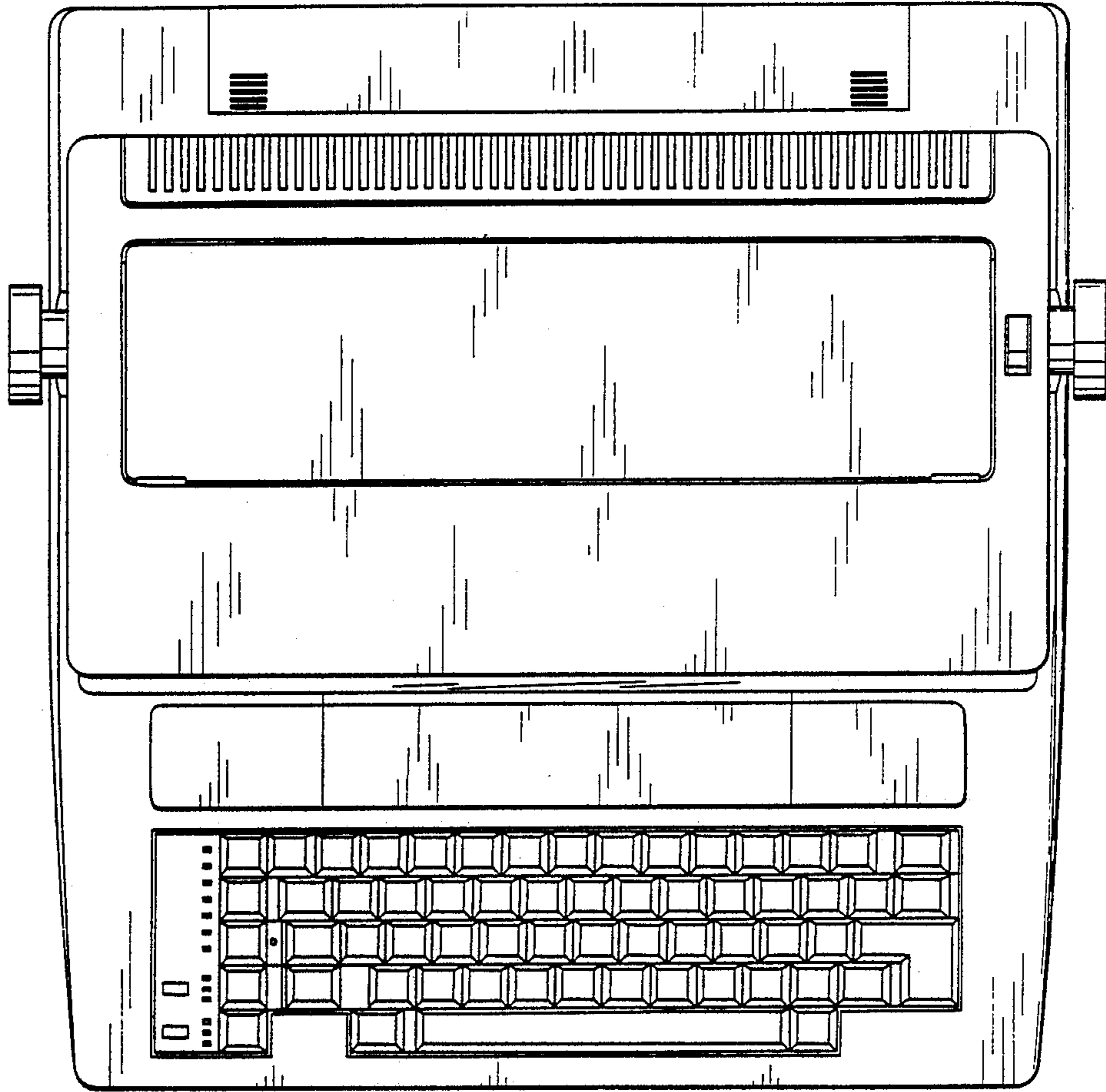


FIG. 3

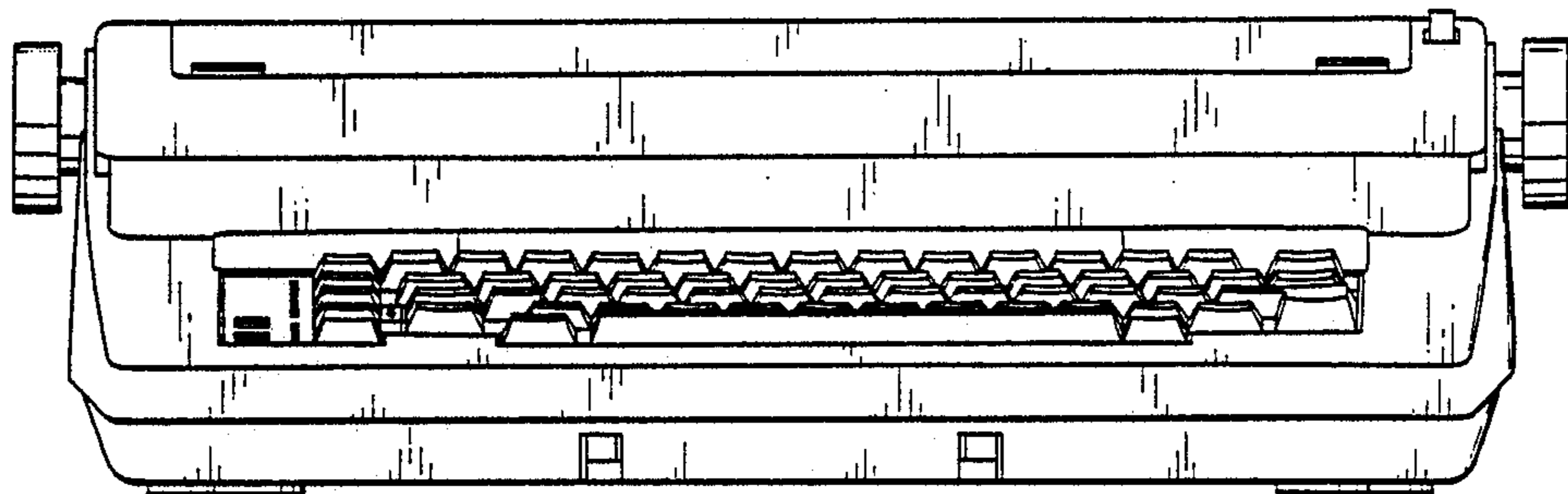


FIG. 5

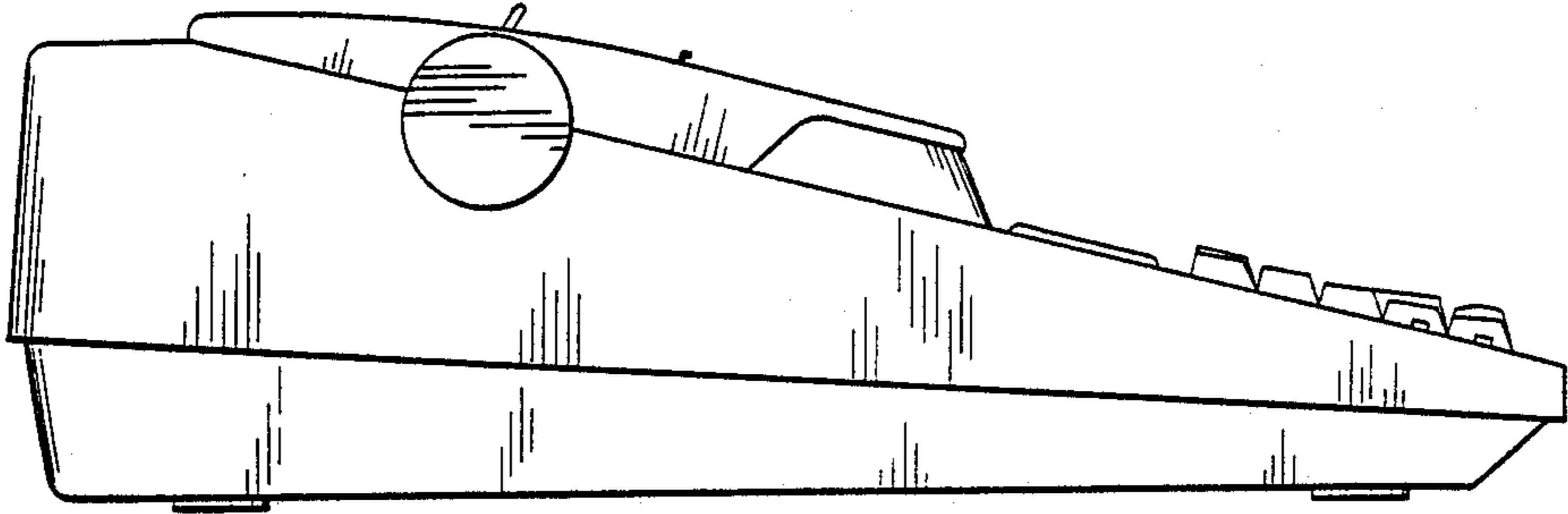


FIG. 6

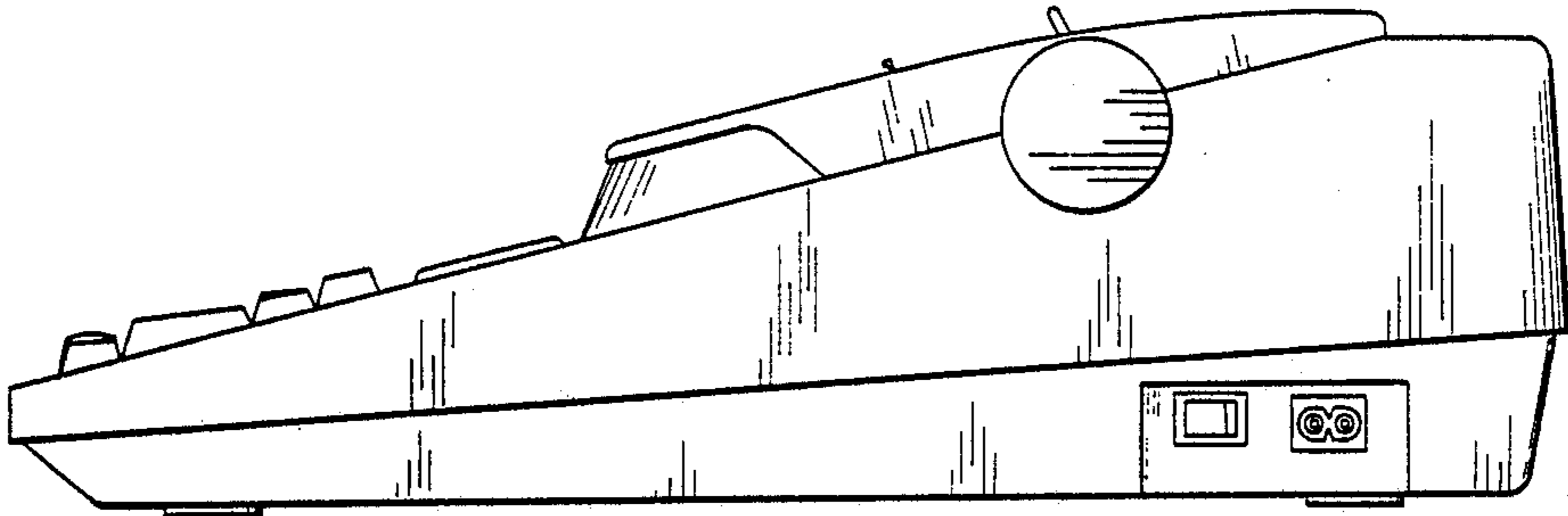


FIG. 7

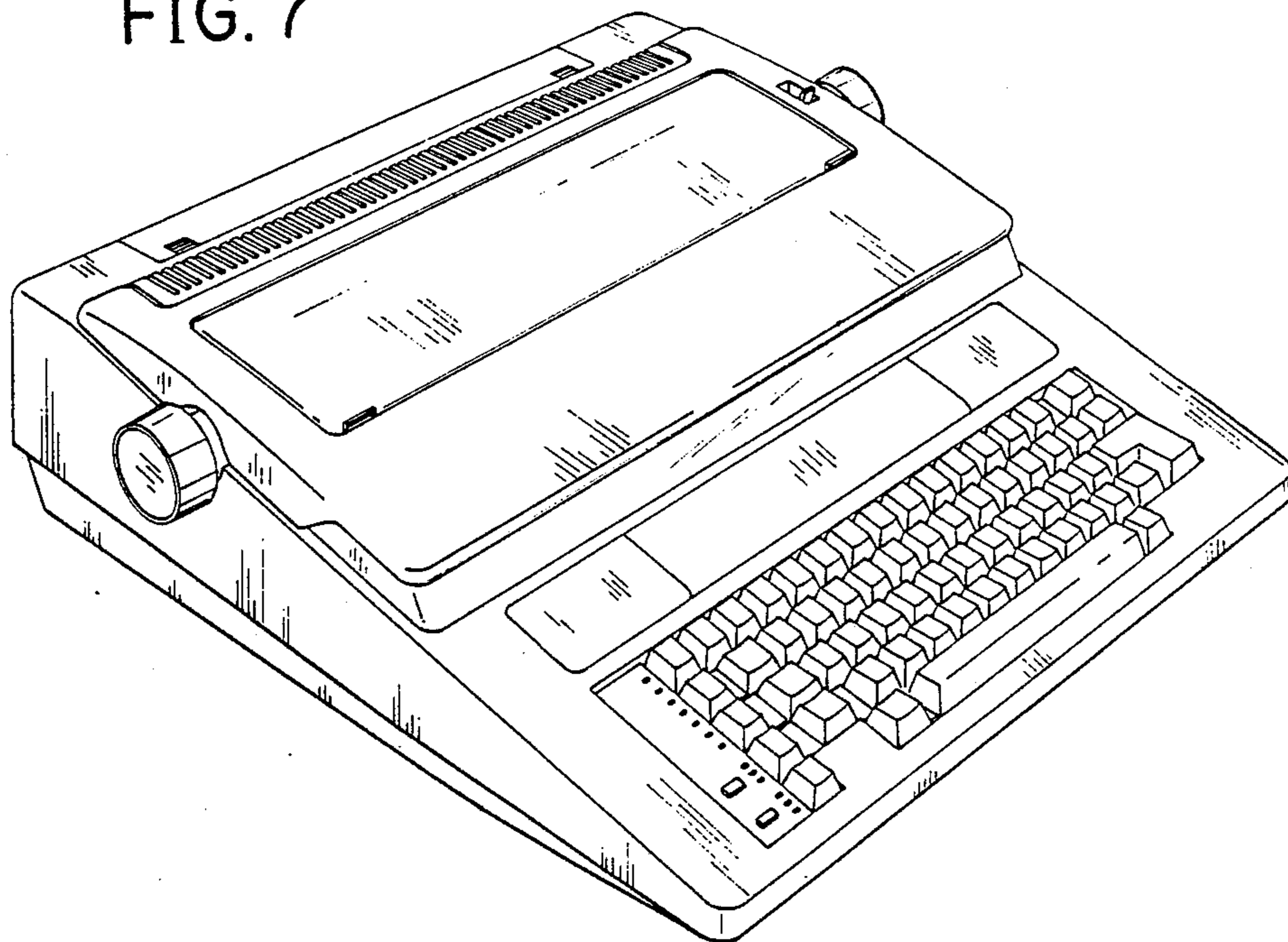


FIG. 8

