

# United States Patent [19]

Kasagi et al.

[11] Patent Number: **Des. 299,248**

[45] Date of Patent: **\*\* Jan. 3, 1989**

[54] **TYPEWRITER**

[75] Inventors: **Taro Kasagi, Tokyo; Kenji Tamada, Sayama; Yojiro Fukui, Kodaira, all of Japan**

[73] Assignee: **Silver Seiko Limited, Japan**

[\*\*] Term: **14 Years**

[21] Appl. No.: **906,775**

[22] Filed: **Sep. 11, 1986**

[30] **Foreign Application Priority Data**

Mar. 11, 1986 [JP] Japan ..... 61-8666

[52] U.S. Cl. .... **D18/1**

[58] Field of Search ..... D18/1, 2, 11, 12;  
400/689-694

[56] **References Cited**

## U.S. PATENT DOCUMENTS

D. 220,888 6/1971 Sottsass, Jr. .... D18/1

D. 278,247 4/1985 Miyamoto et al. .... D18/1  
D. 278,719 5/1985 Funato et al. .... D18/1  
D. 281,252 11/1985 Kato et al. .... D18/1  
D. 291,323 8/1987 Kasagi ..... D18/1

*Primary Examiner*—Louis S. Zarfaz  
*Attorney, Agent, or Firm*—McGlew and Tuttle

[57] **CLAIM**

The ornamental design for a typewriter, as shown and described.

## DESCRIPTION

FIG. 1 is a rear elevational view of a typewriter showing our new design;

FIG. 2 is a top plan view;

FIG. 3 is a front elevational view;

FIG. 4 is a bottom plan view;

FIG. 5 is a left side elevational view;

FIG. 6 is a right side elevational view;

FIG. 7 is a perspective view; and,

FIG. 8 is a perspective view in a position of use.

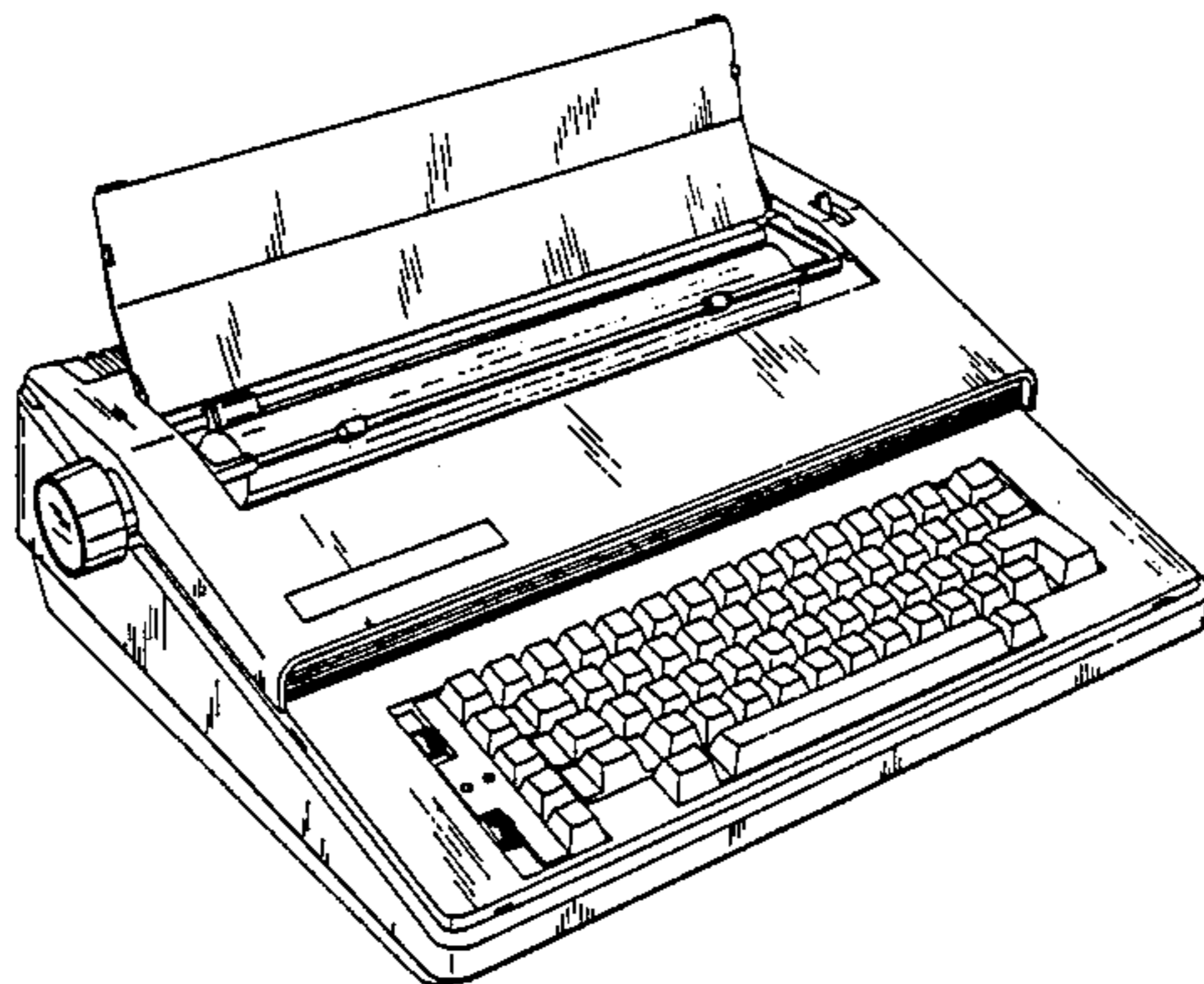
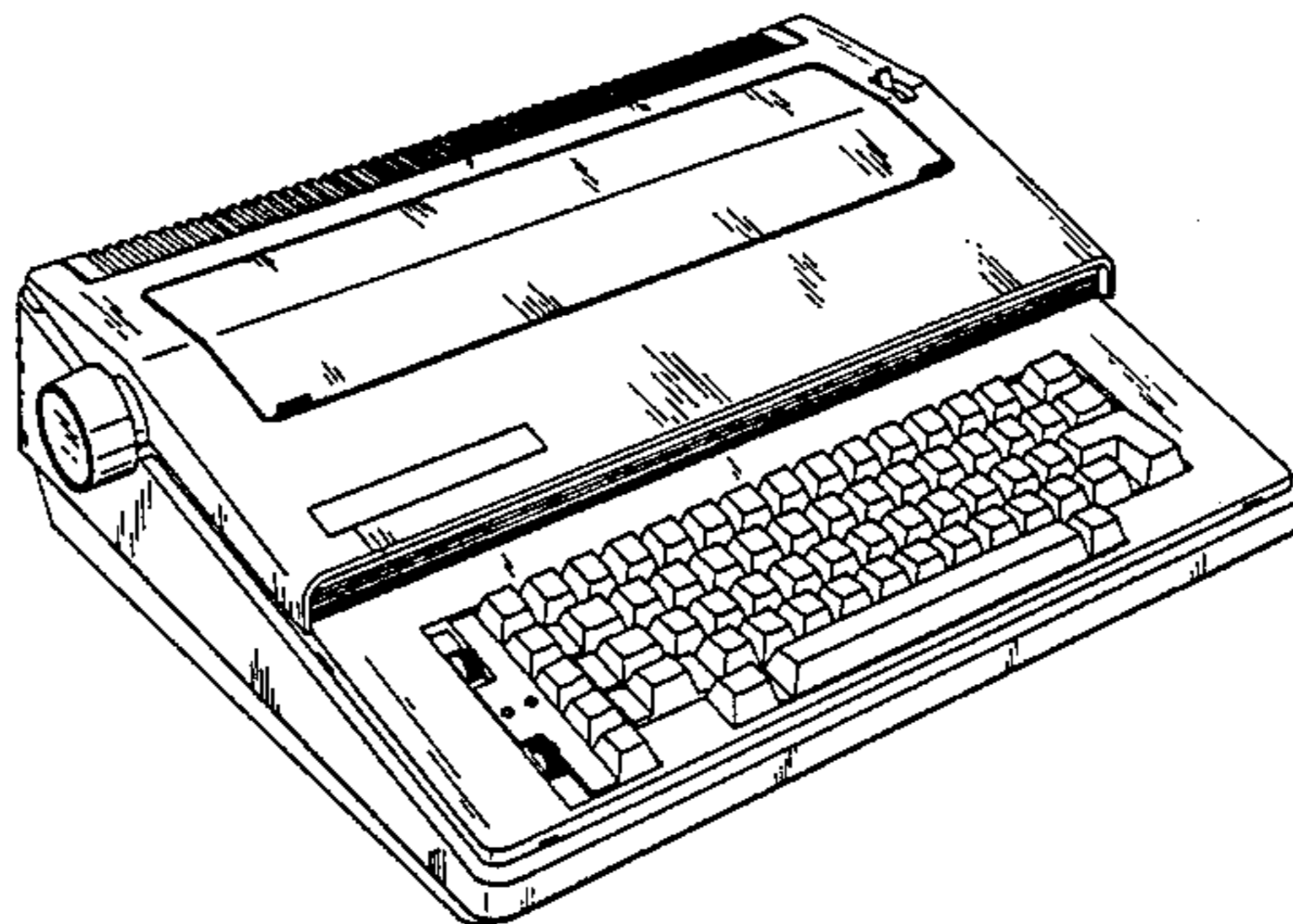


FIG. 4

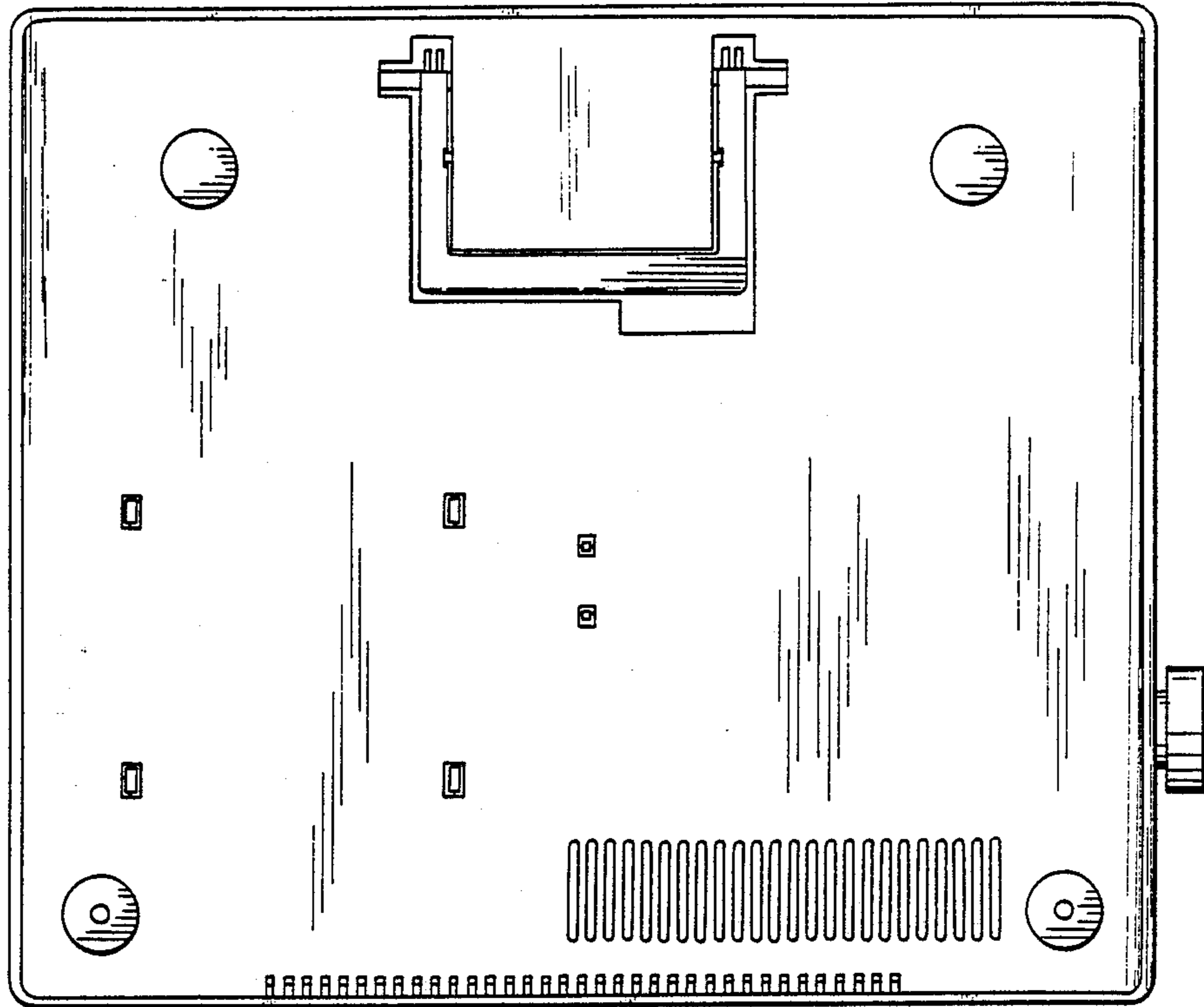


FIG. 1

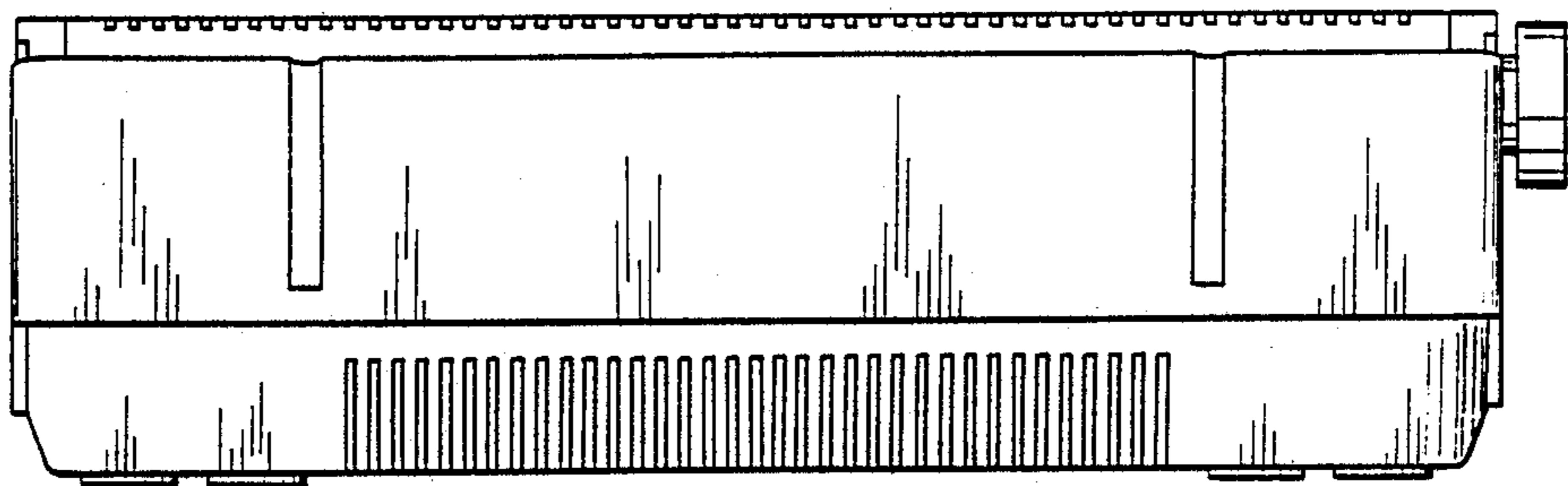


FIG. 2

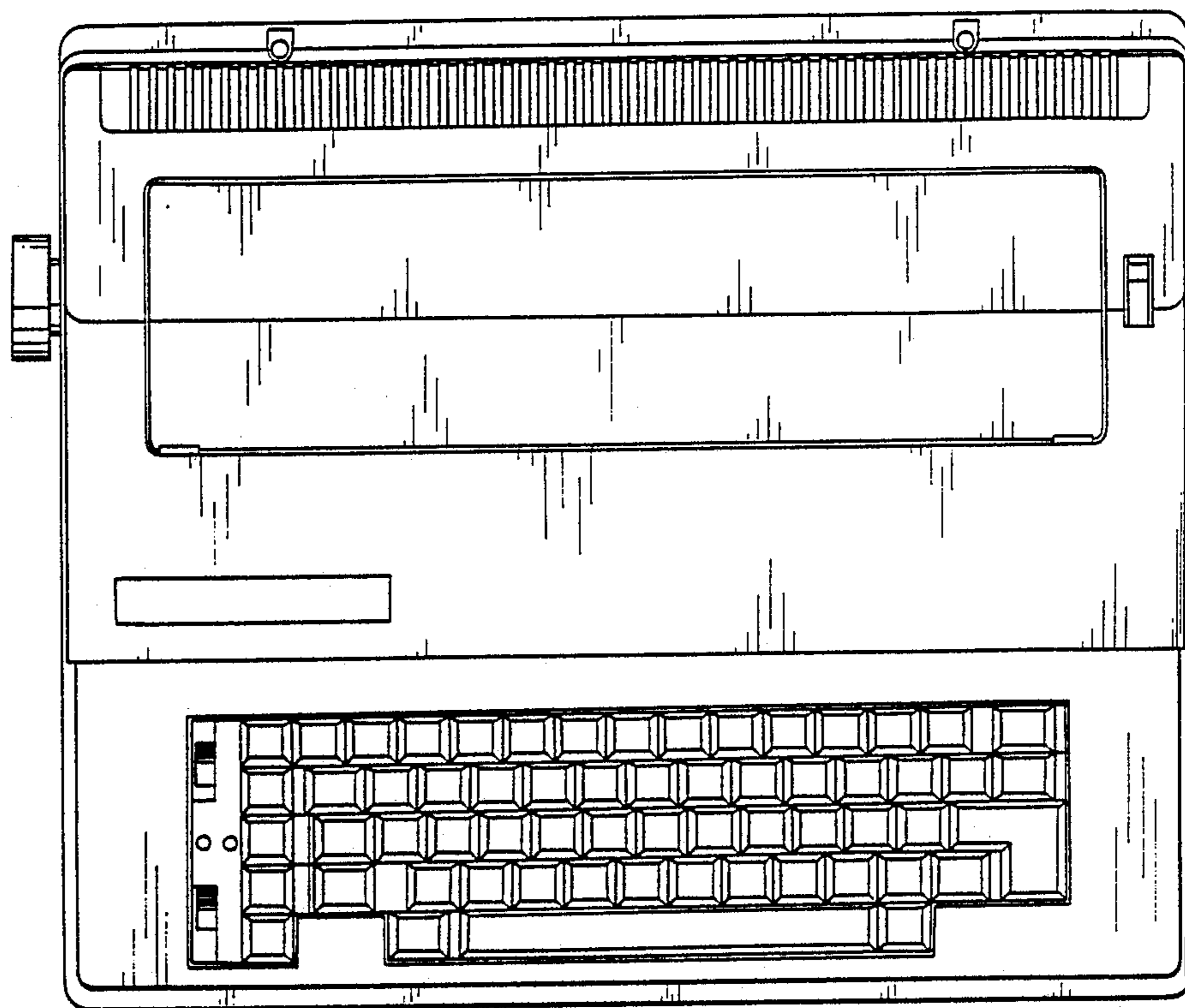


FIG. 3

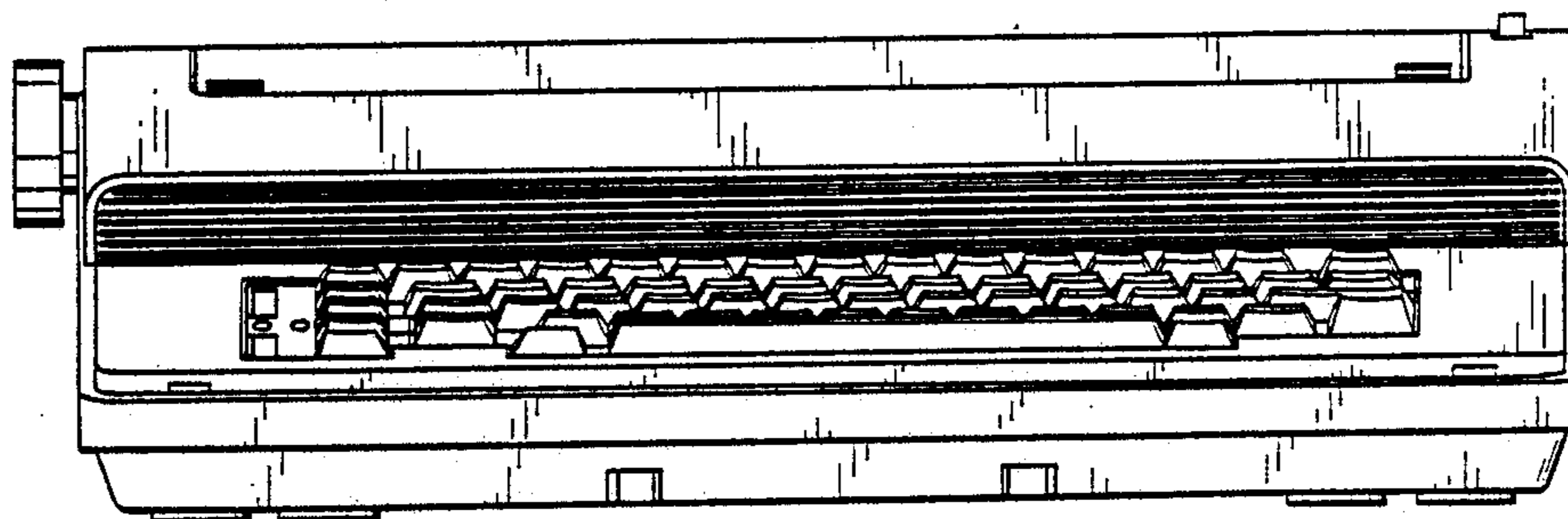


FIG. 5

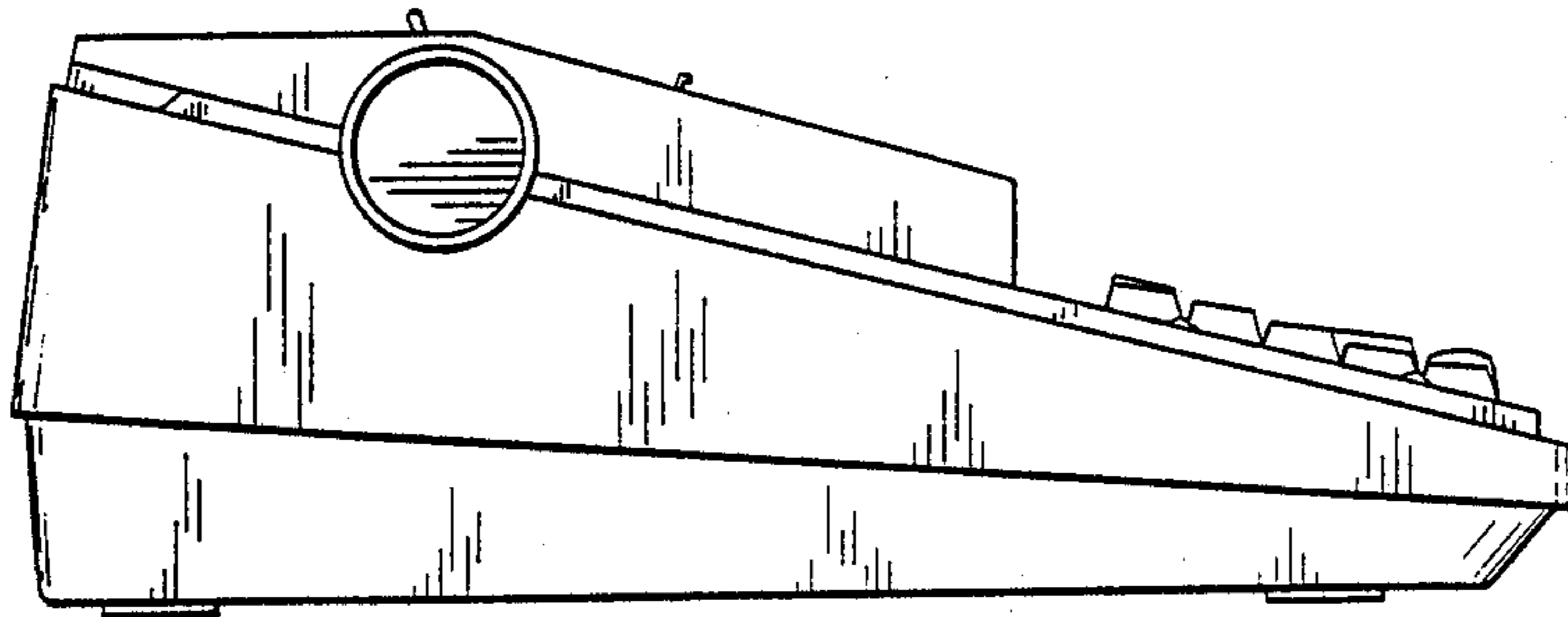


FIG. 6

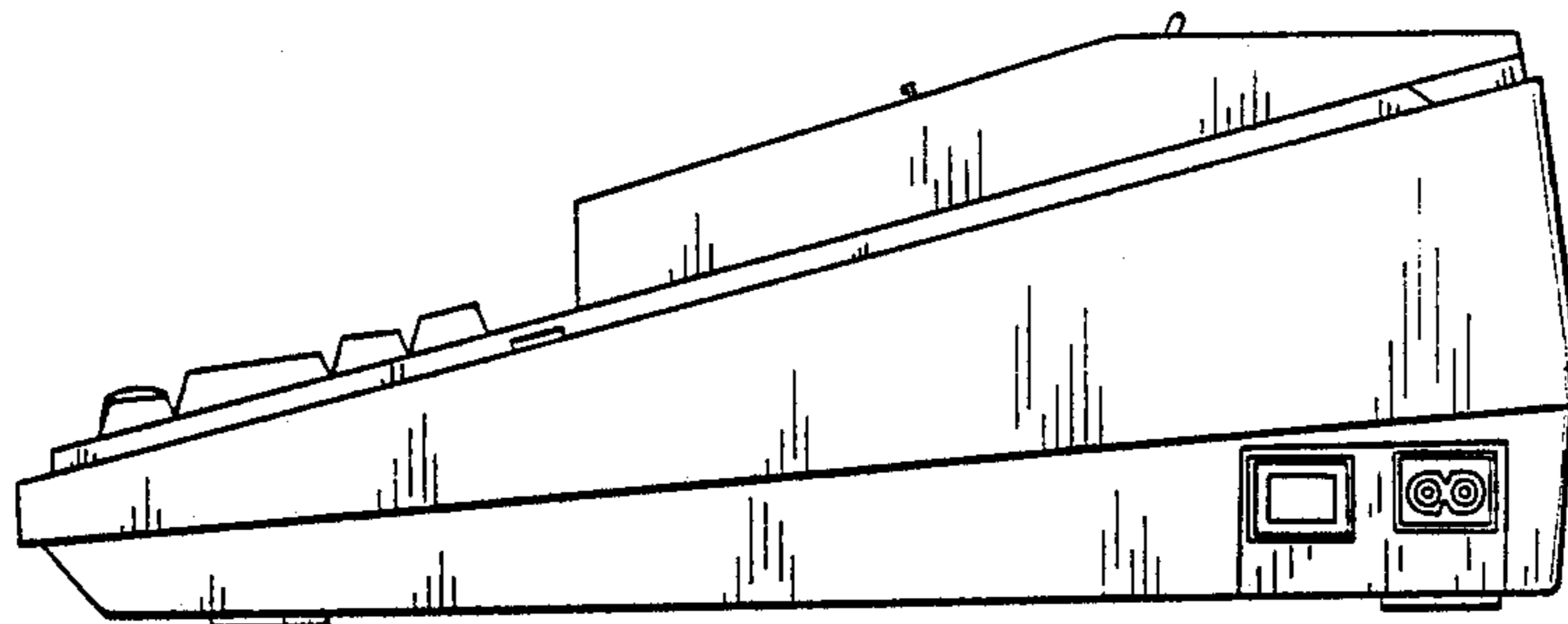


FIG. 7

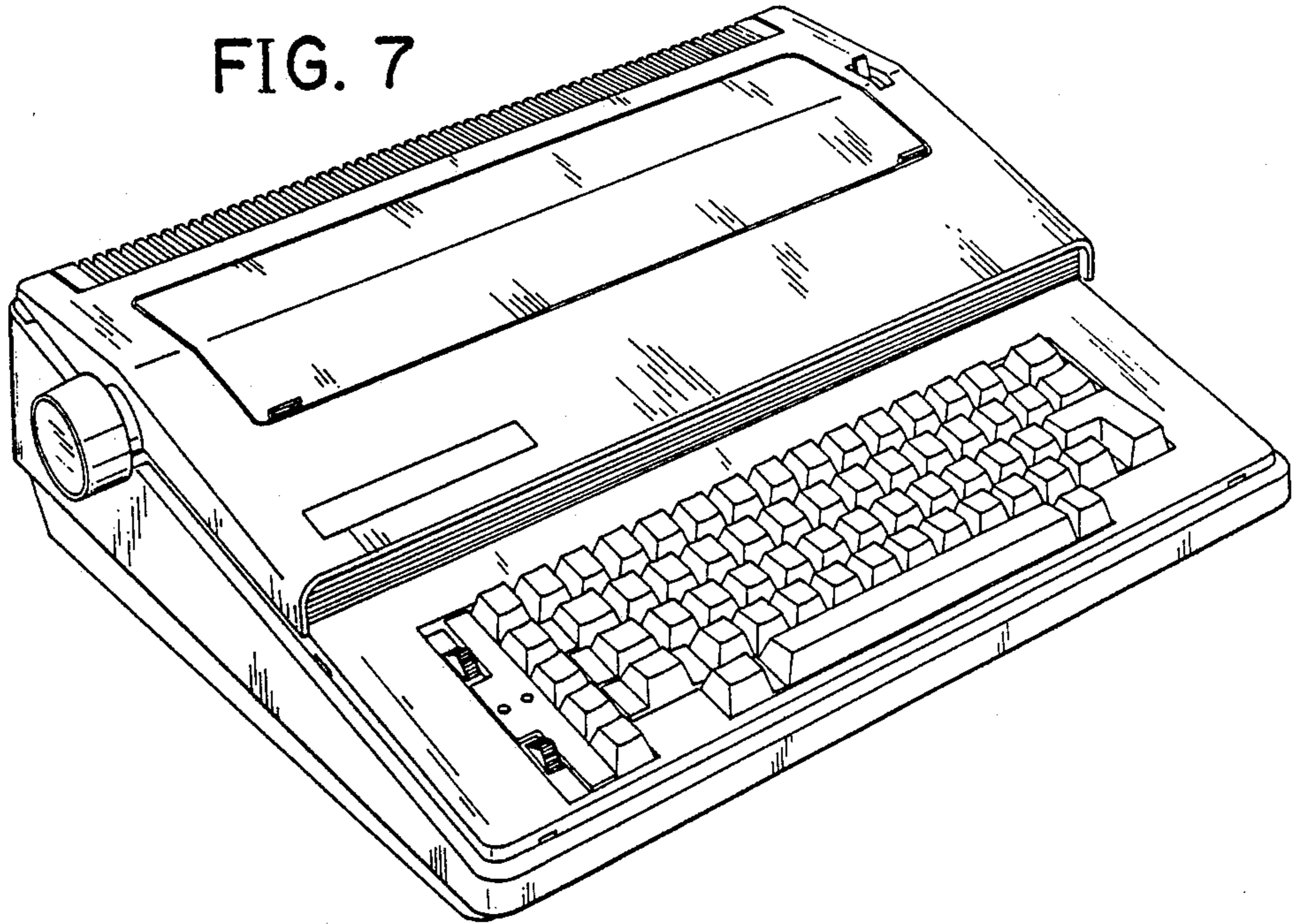


FIG. 8

