

[54] INSTRUMENT SUPPORTING HEAD

[75] Inventors: John A. Jones, Gresham; L. Mark Marchus, Portland, both of Oreg.

[73] Assignee: Cineonix, Inc., Portland, Oreg.

[**] Term: 14 Years

[21] Appl. No.: 927,408

[22] Filed: Nov. 3, 1986

[52] U.S. Cl. D16/245

[58] Field of Search D16/44-47; 248/168-171, 177-178, 183, 188.9

[56] References Cited

U.S. PATENT DOCUMENTS

- D. 148,778 2/1948 Fishter D16/46
- D. 257,260 10/1980 Shiraishi .
- D. 263,147 2/1982 Iwasaki D16/45
- 875,034 12/1907 Wright .
- 1,764,721 6/1930 Hayden .
- 2,341,751 2/1944 Willoughby .
- 2,455,525 12/1948 Schulz .
- 2,463,655 3/1949 Temple, Jr. .
- 2,591,051 4/1952 Caldwell .
- 2,744,712 5/1956 Brandt .
- 2,865,133 12/1958 Hoven et al. .
- 2,956,764 10/1960 Nakatani .
- 3,133,719 5/1964 Beck .
- 3,227,409 1/1966 Pagliuso 248/183
- 3,254,868 6/1966 Quass et al. .
- 3,575,369 4/1971 Tetlow .
- 3,795,378 3/1974 Clarke .
- 4,010,923 3/1977 Miller et al. .
- 4,039,158 8/1977 Weman .
- 4,113,215 9/1978 Stapleton .

- 4,177,967 12/1979 Marchus .
- 4,226,303 10/1980 Thoma .
- 4,249,817 2/1981 Blau .
- 4,317,552 3/1982 Weidler .
- 4,368,996 1/1983 Davis et al. .
- 4,422,683 12/1983 Charonnat .
- 4,450,353 5/1984 Sjolund et al. .
- 4,557,623 12/1985 Tella .
- 4,562,985 1/1986 Nakatani 248/183

FOREIGN PATENT DOCUMENTS

- 2203196 8/1973 Fed. Rep. of Germany .
- 3134910 3/1983 Fed. Rep. of Germany .
- 3238915 4/1984 Fed. Rep. of Germany .
- 1216881 11/1959 France .
- 2528996 12/1983 France .
- 78329 6/1955 Netherlands .
- 1377897 12/1974 United Kingdom .
- 2168149 6/1986 United Kingdom .

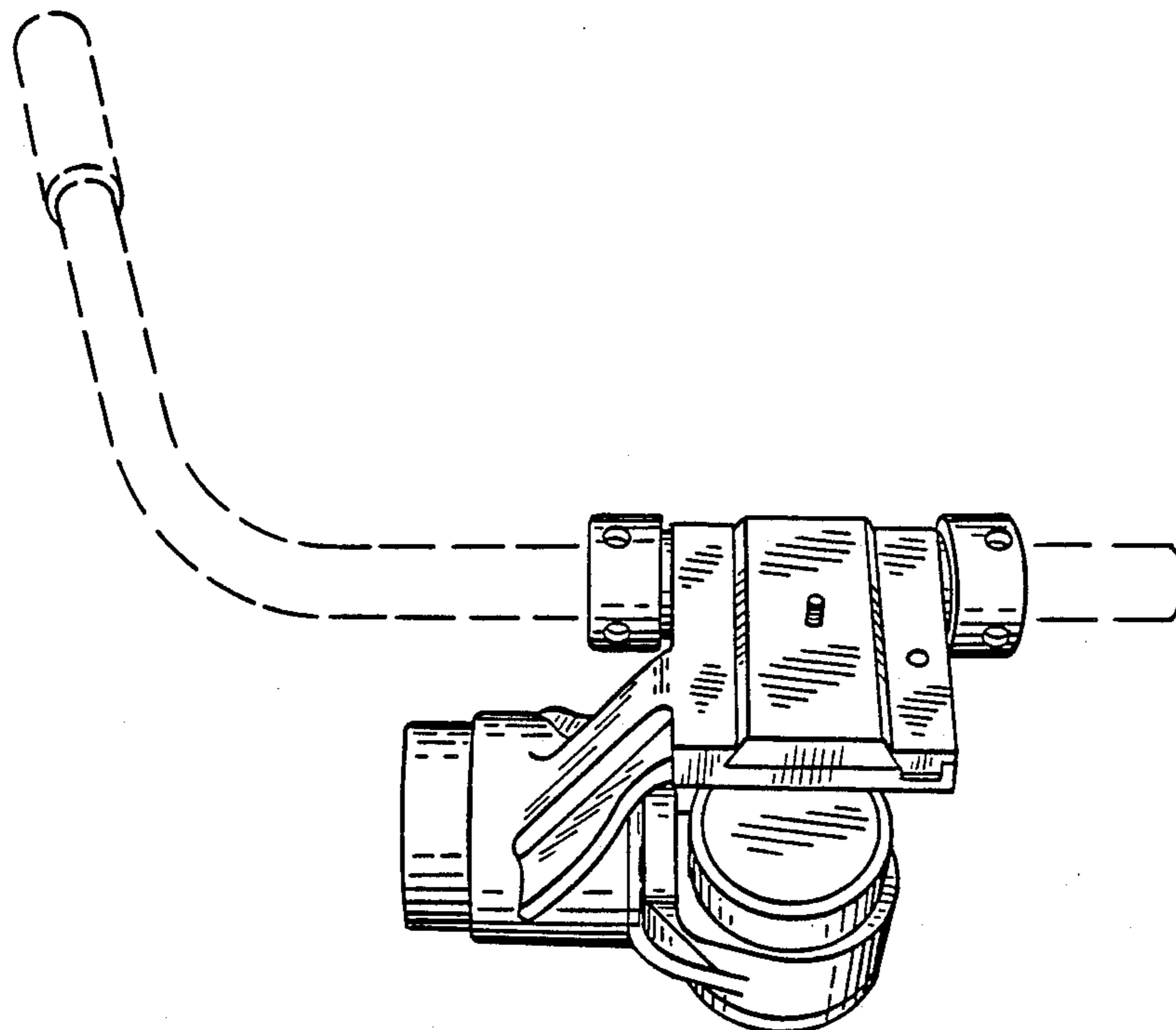
Primary Examiner—Nelson C. Holtje
Attorney, Agent, or Firm—Klarquist, Sparkman, Campbell, Leigh & Whinston

[57] CLAIM

The ornamental design for instrument supporting head, as shown.

DESCRIPTION

FIG. 1 is a top front perspective view of a instrument supporting head showing our new design; FIG. 2 is a top plan view thereof; FIG. 3 is a bottom plan view thereof; FIG. 4 is a front elevational view thereof; FIG. 5 is a rear elevational view thereof; FIG. 6 is a left side elevational view thereof; FIG. 7 is a right side elevational view thereof.



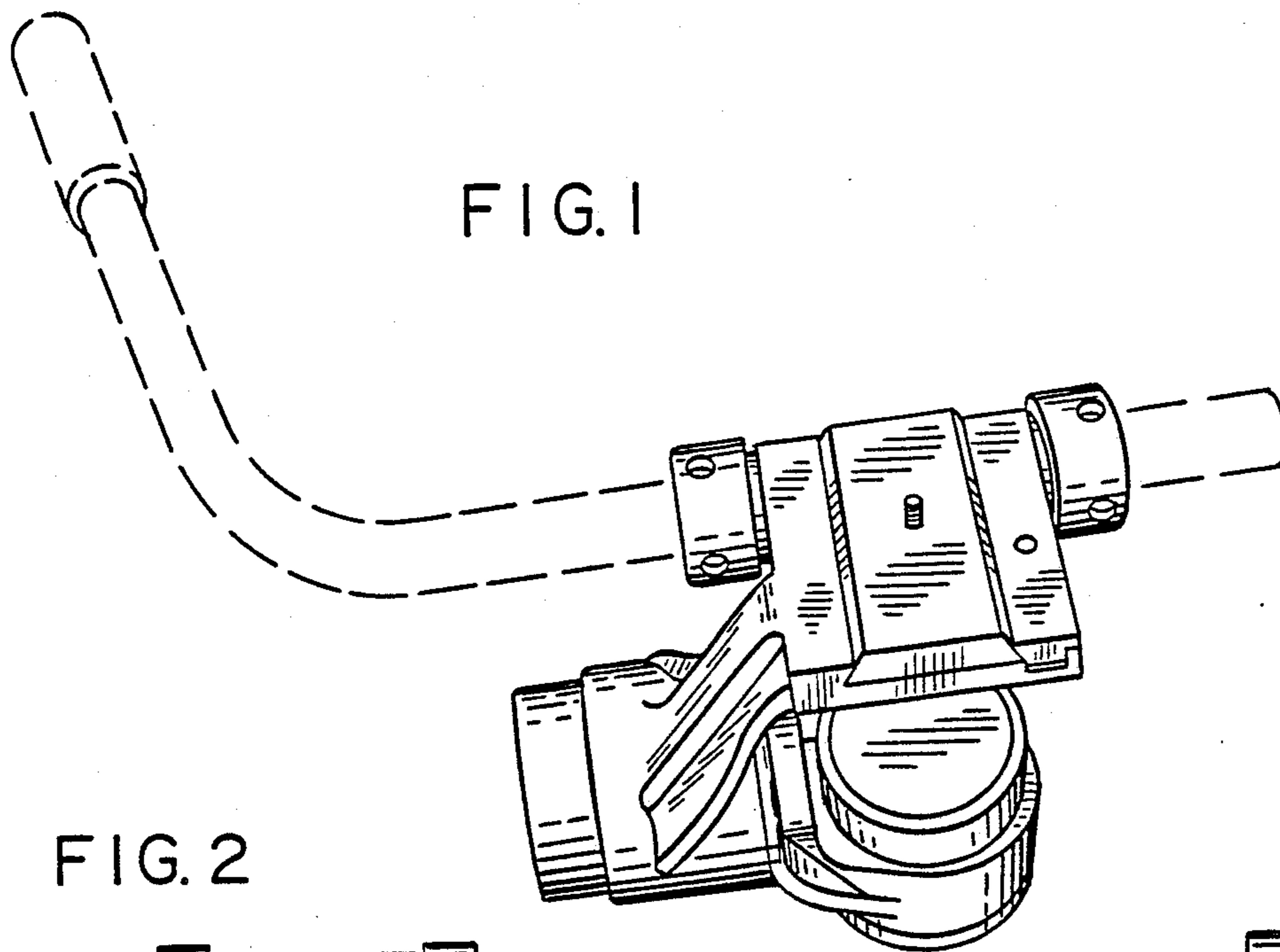


FIG. 1

FIG. 2

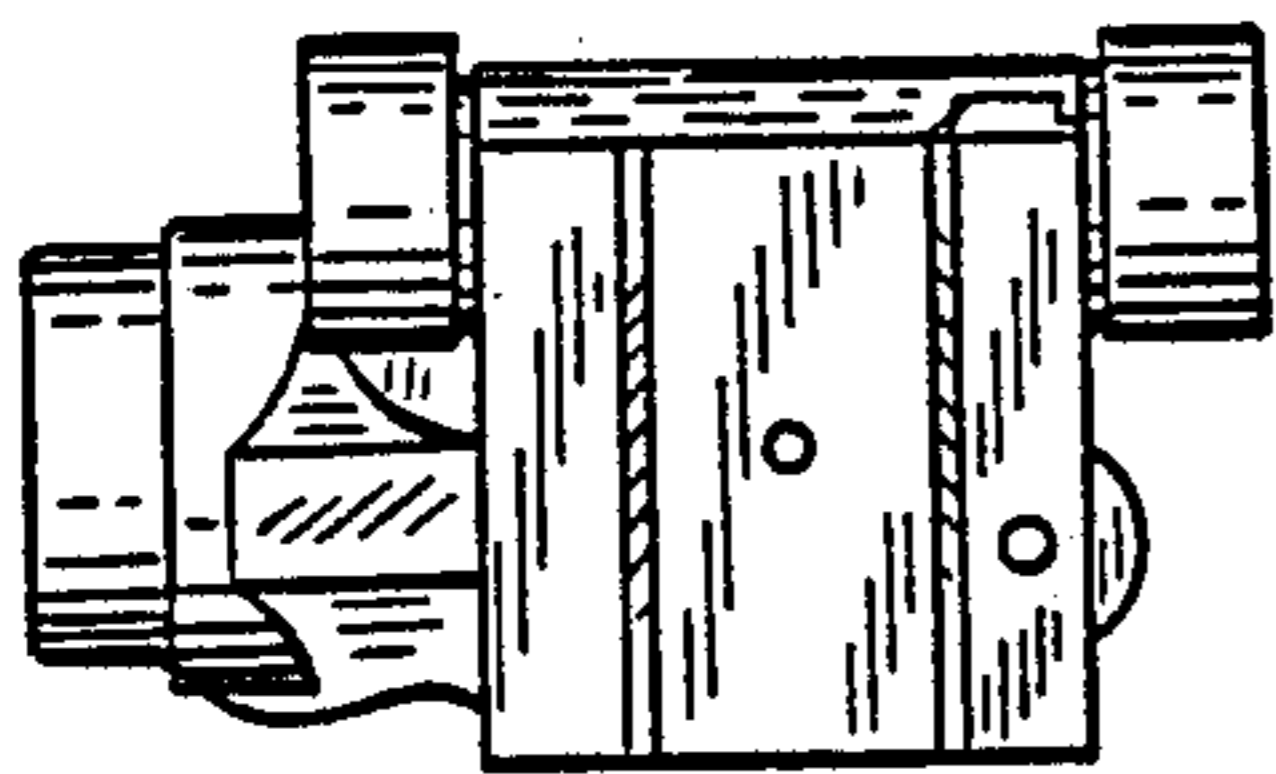


FIG. 3

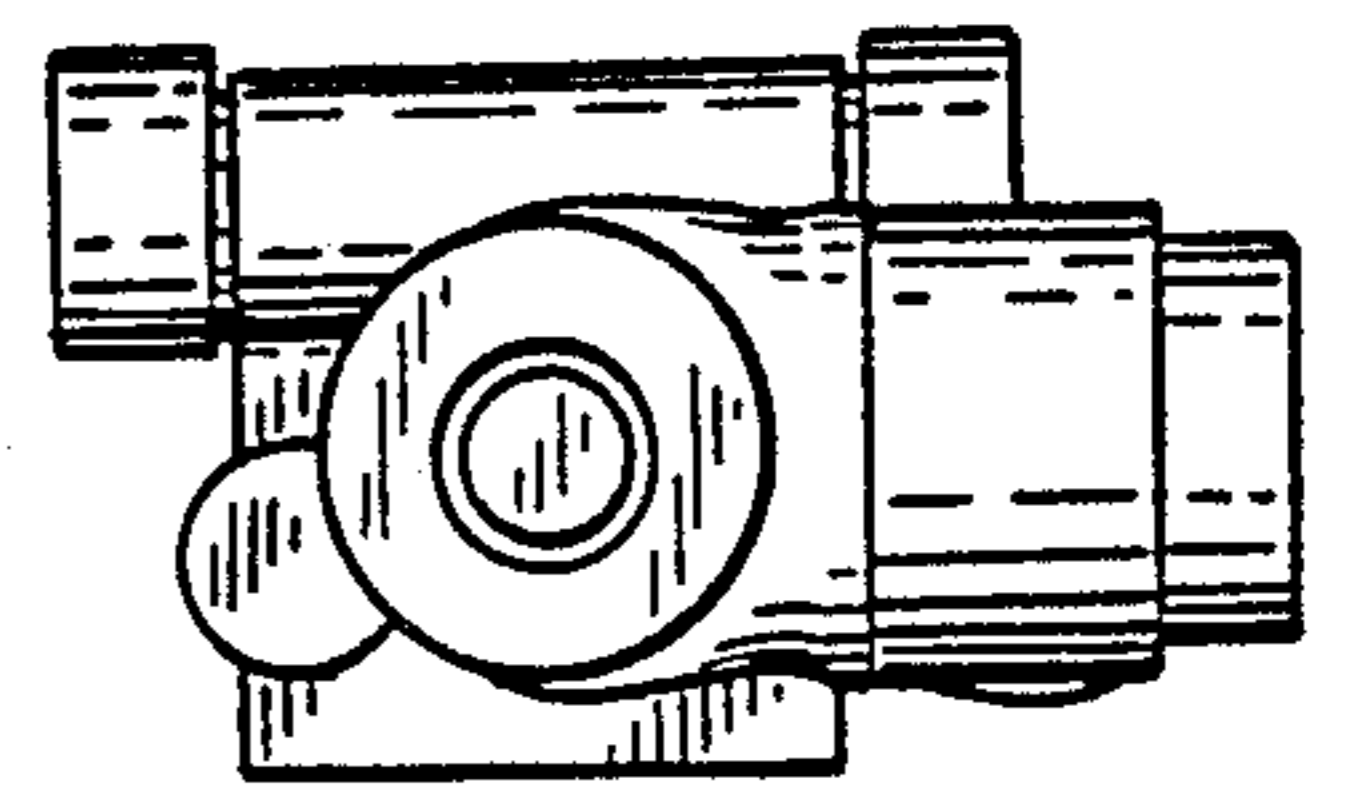


FIG. 4

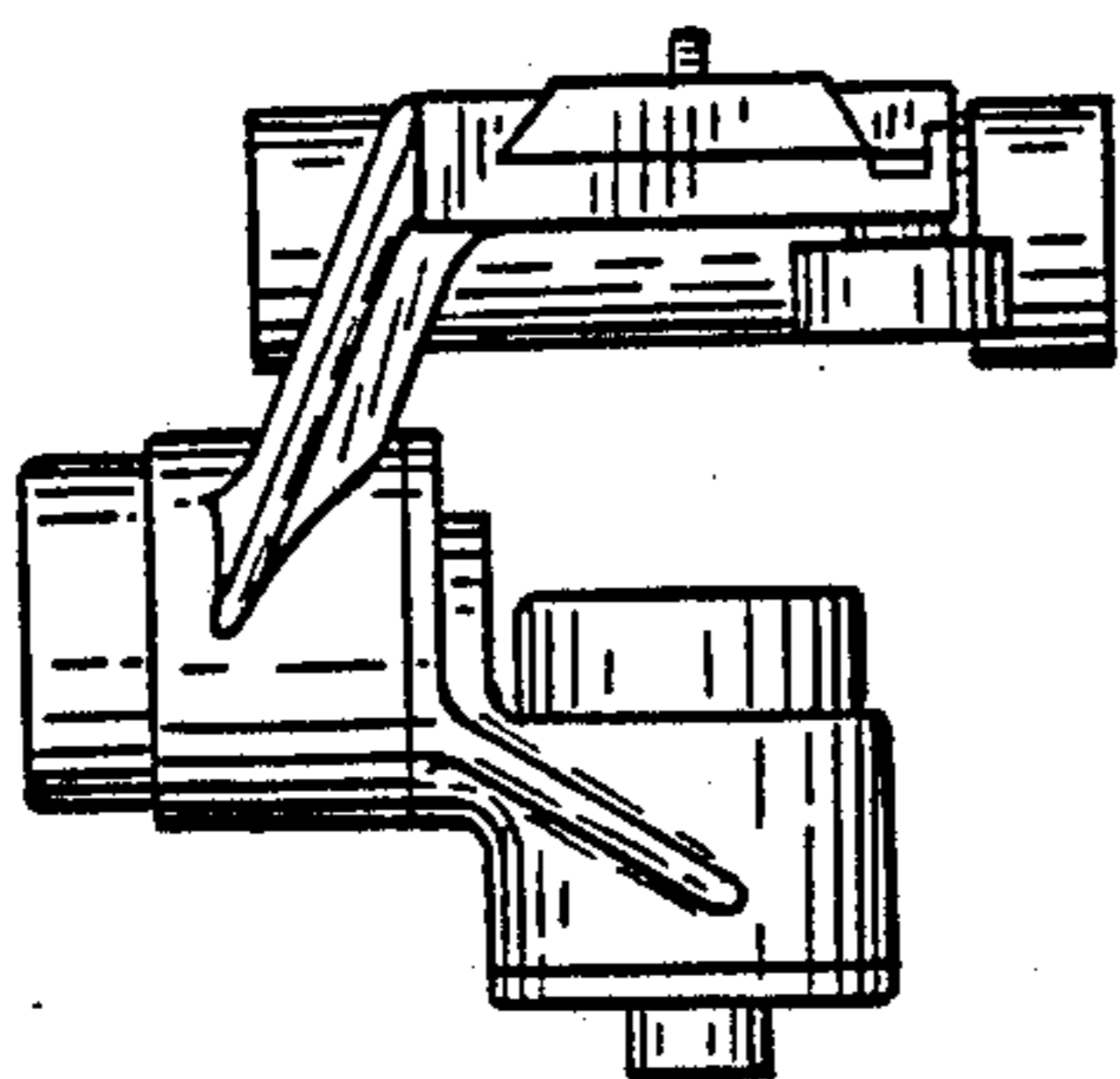


FIG. 5

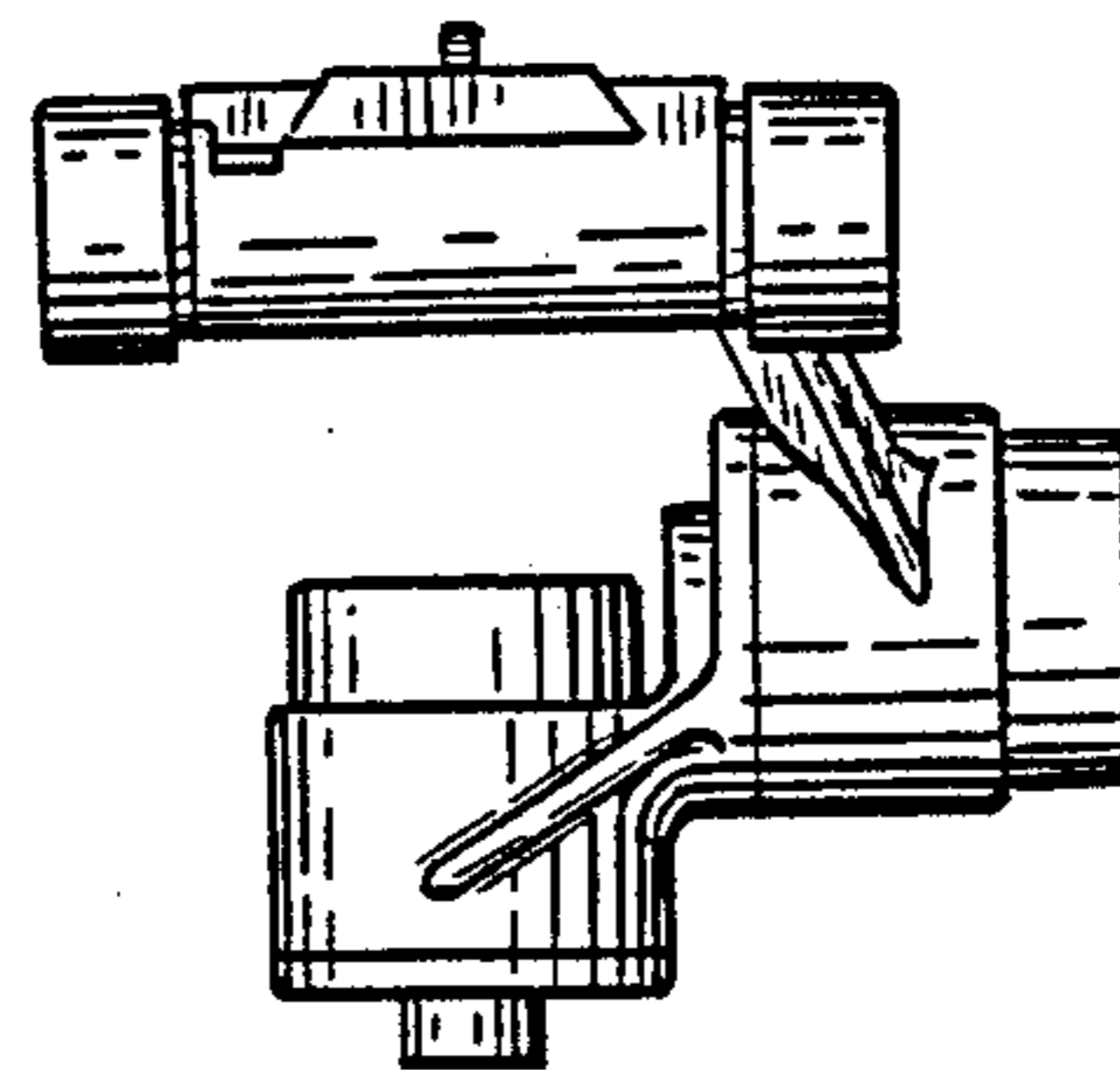


FIG. 6

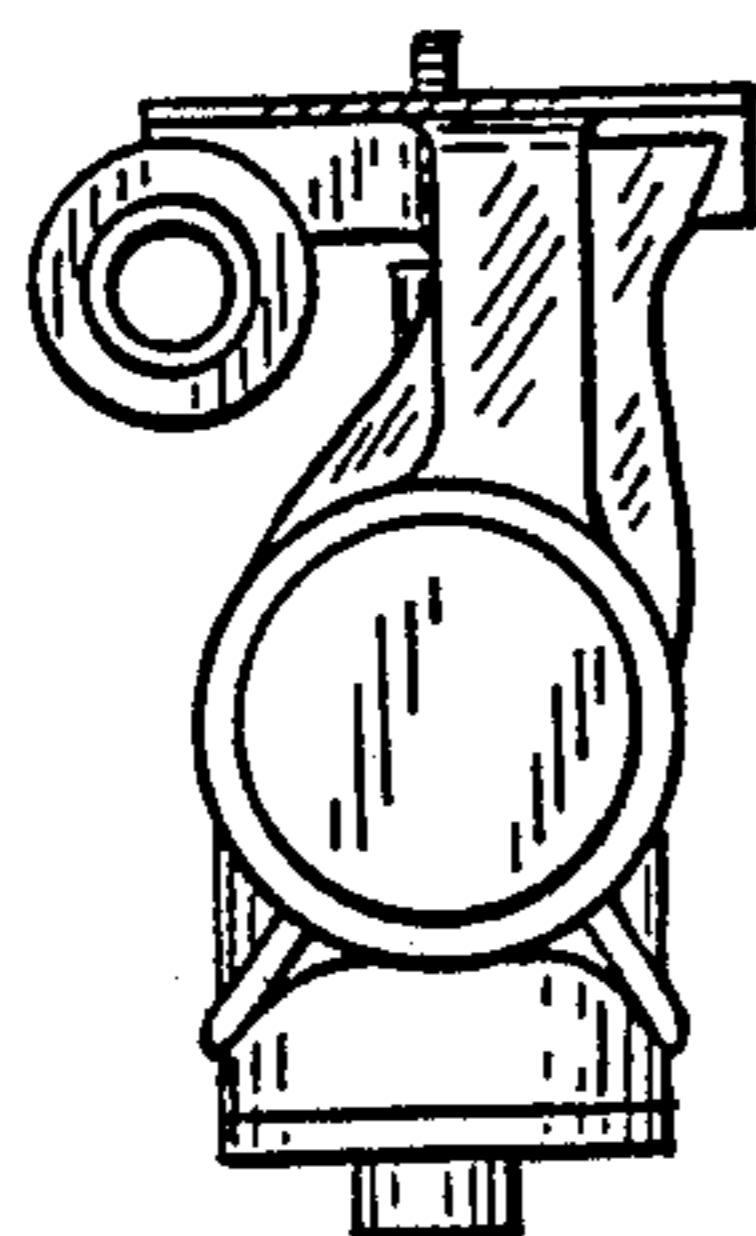


FIG. 7

