

[54] TRIPOD

[75] Inventors: John A. Jones, Gresham; L. Mark Marchus; Loren S. Hardy, both of Portland, all of Oreg.

[73] Assignee: Cineonix, Inc., Portland, Oreg.

[\*\*] Term: 14 Years

[21] Appl. No.: 927,407

[22] Filed: Nov. 3, 1986

[52] U.S. Cl. .... D16/244

[58] Field of Search ..... D16/44-47; 248/168-171, 177-178, 183, 188.9

[56] References Cited

U.S. PATENT DOCUMENTS

D. 148,778	2/1948	Fishter .	
D. 257,260	10/1980	Shiraishi .....	D16/45
D. 263,147	2/1982	Iwasaki .....	D16/45
2,341,751	2/1944	Willoughby .....	248/188.9
2,463,655	3/1949	Temple, Jr. .	
2,865,133	12/1958	Hoven et al. .	
3,227,409	1/1966	Pagliuso .	
3,254,868	6/1966	Quass et al. .	
3,921,947	11/1975	Adam .....	248/169

4,113,215	9/1978	Stapleton .	
4,249,817	2/1985	Blau .	
4,317,552	3/1982	Weidler .....	248/168
4,368,996	1/1983	Davis et al. .	
4,557,623	12/1985	Tella .	
4,562,985	1/1986	Nakatani .	

FOREIGN PATENT DOCUMENTS

2203196	8/1973	Fed. Rep. of Germany .
78329	6/1955	Netherlands .

Primary Examiner—Nelson C. Holtje  
Attorney, Agent, or Firm—Klarquist, Sparkman, Campbell, Leigh & Whinston

[57] CLAIM

The ornamental design for a tripod, as shown.

DESCRIPTION

FIG. 1 is a top front perspective view of a tripod showing our new design;  
FIG. 2 is a top plan view thereof;  
FIG. 3 is a bottom plan view thereof;  
FIG. 4 is a front elevational view thereof;  
FIG. 5 is a rear elevational view thereof;  
FIG. 6 is a left side elevational view thereof;  
FIG. 7 is a right side elevational view thereof.

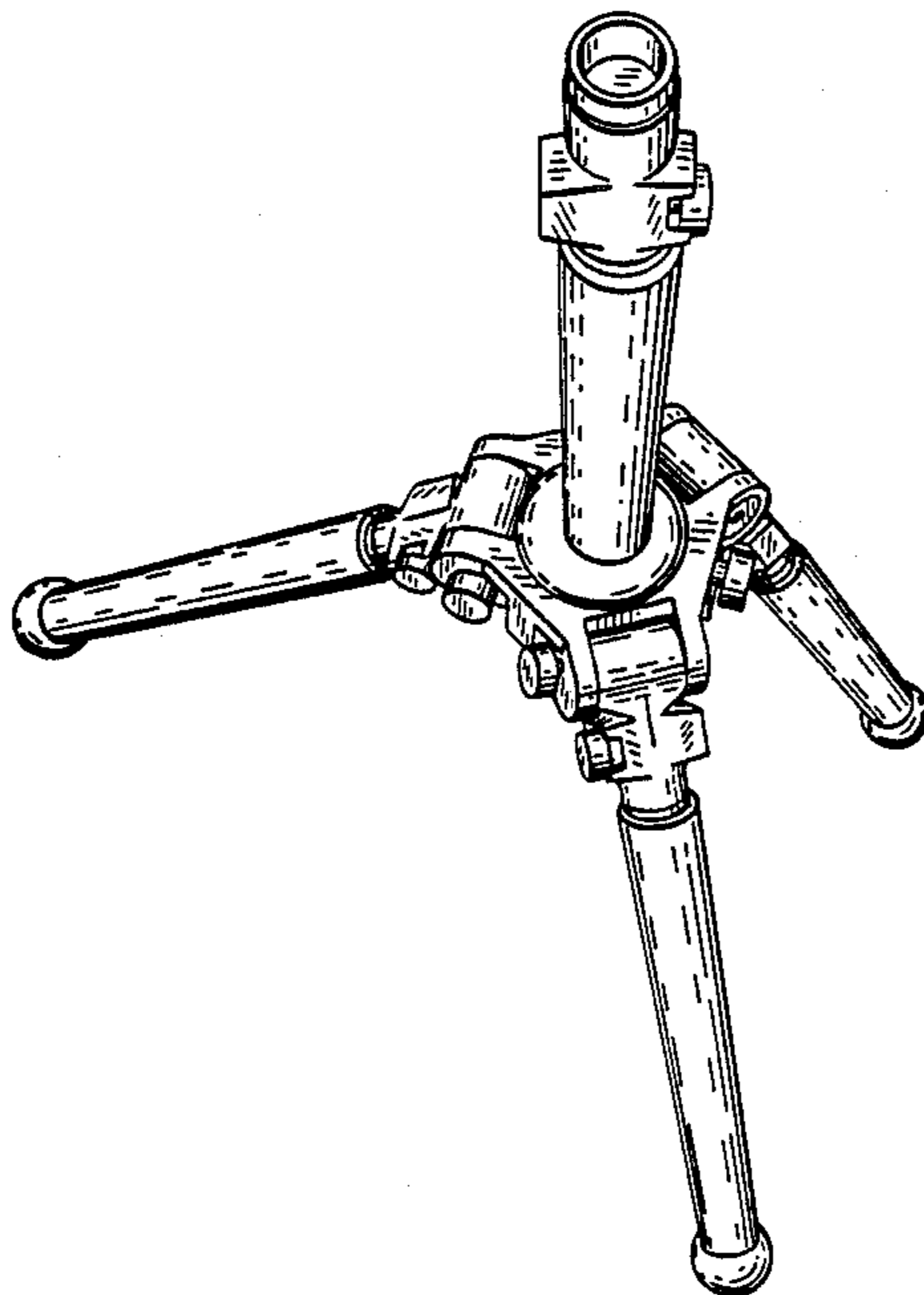


FIG. 1

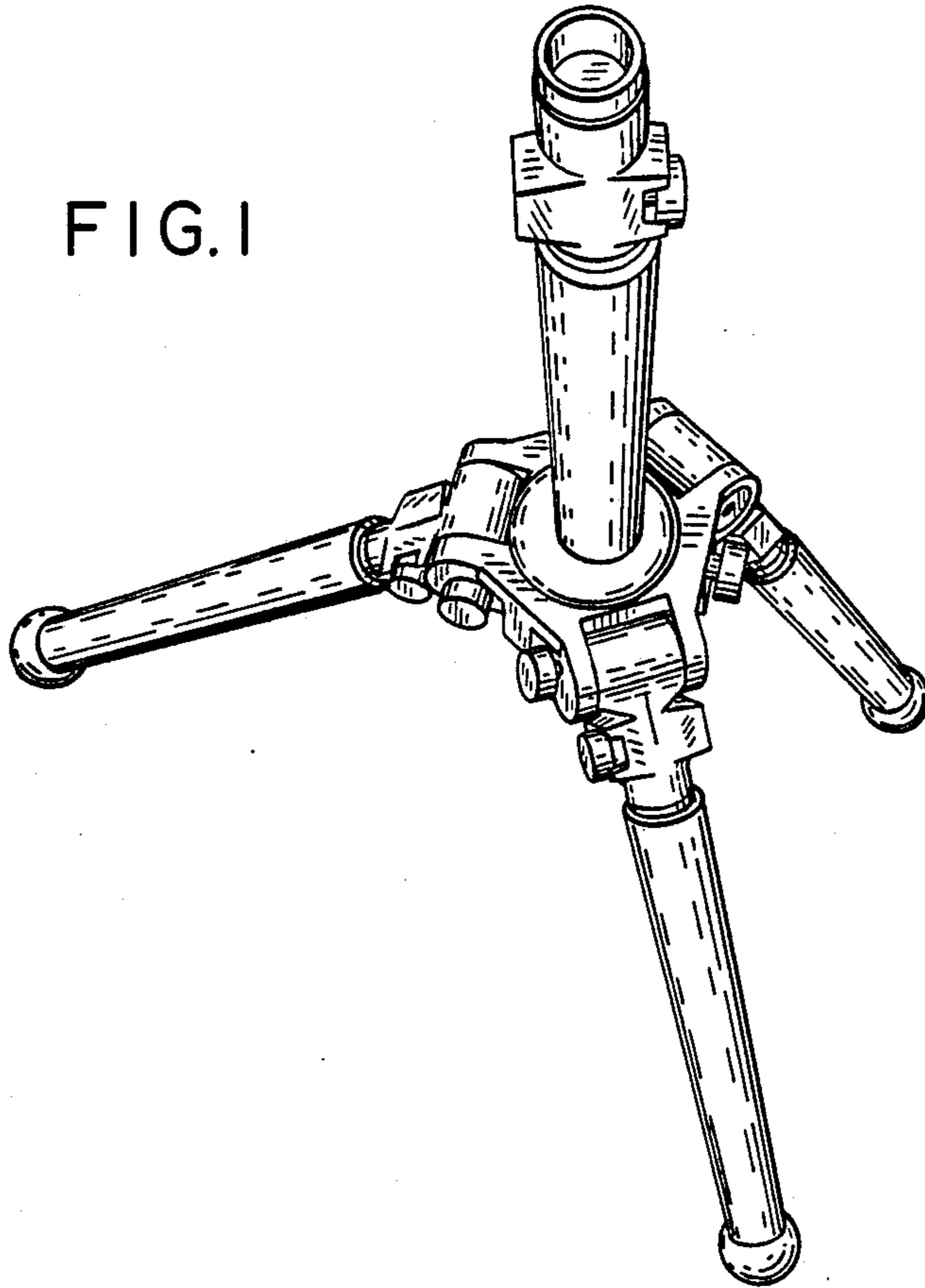


FIG. 2

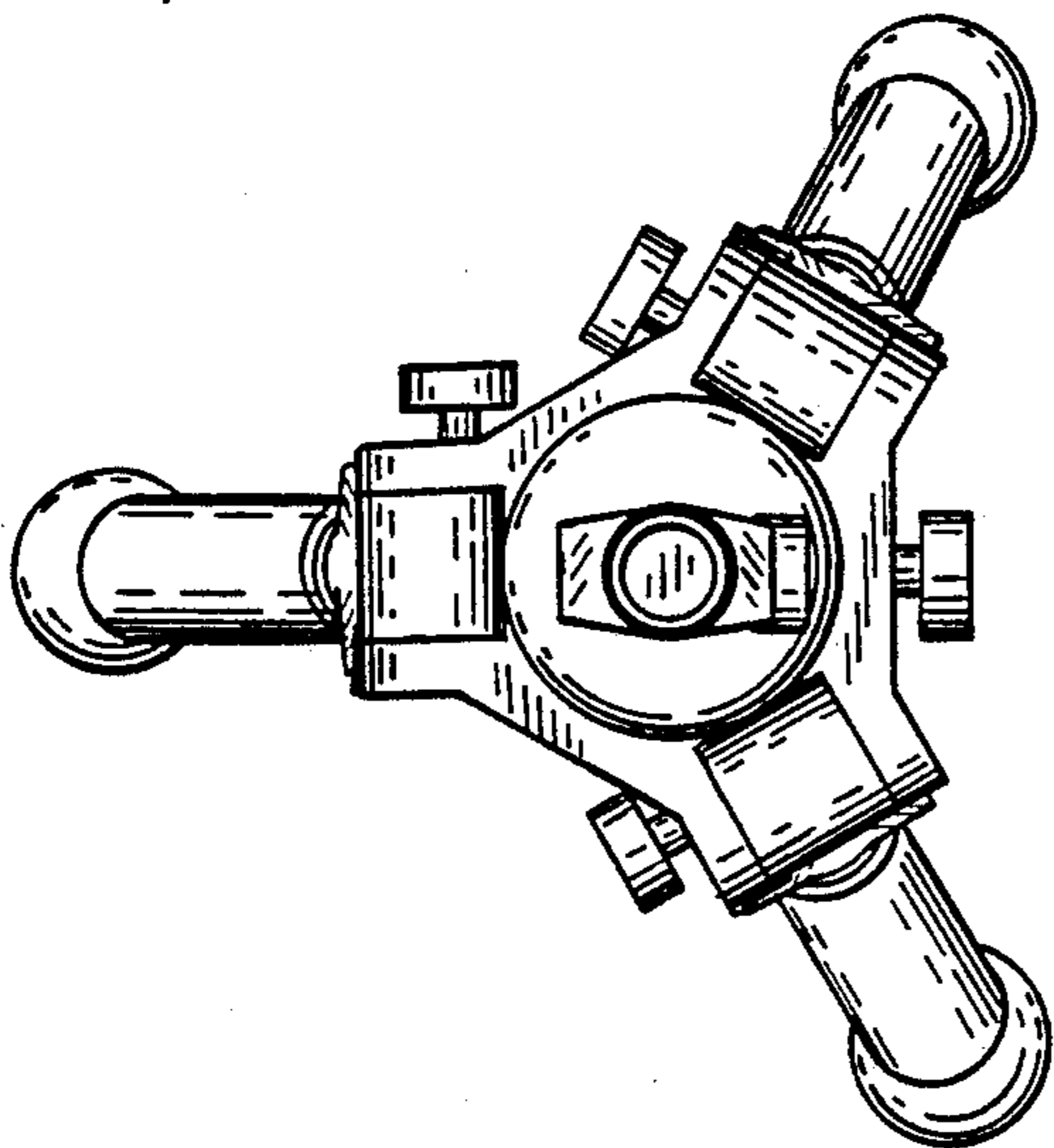


FIG. 3

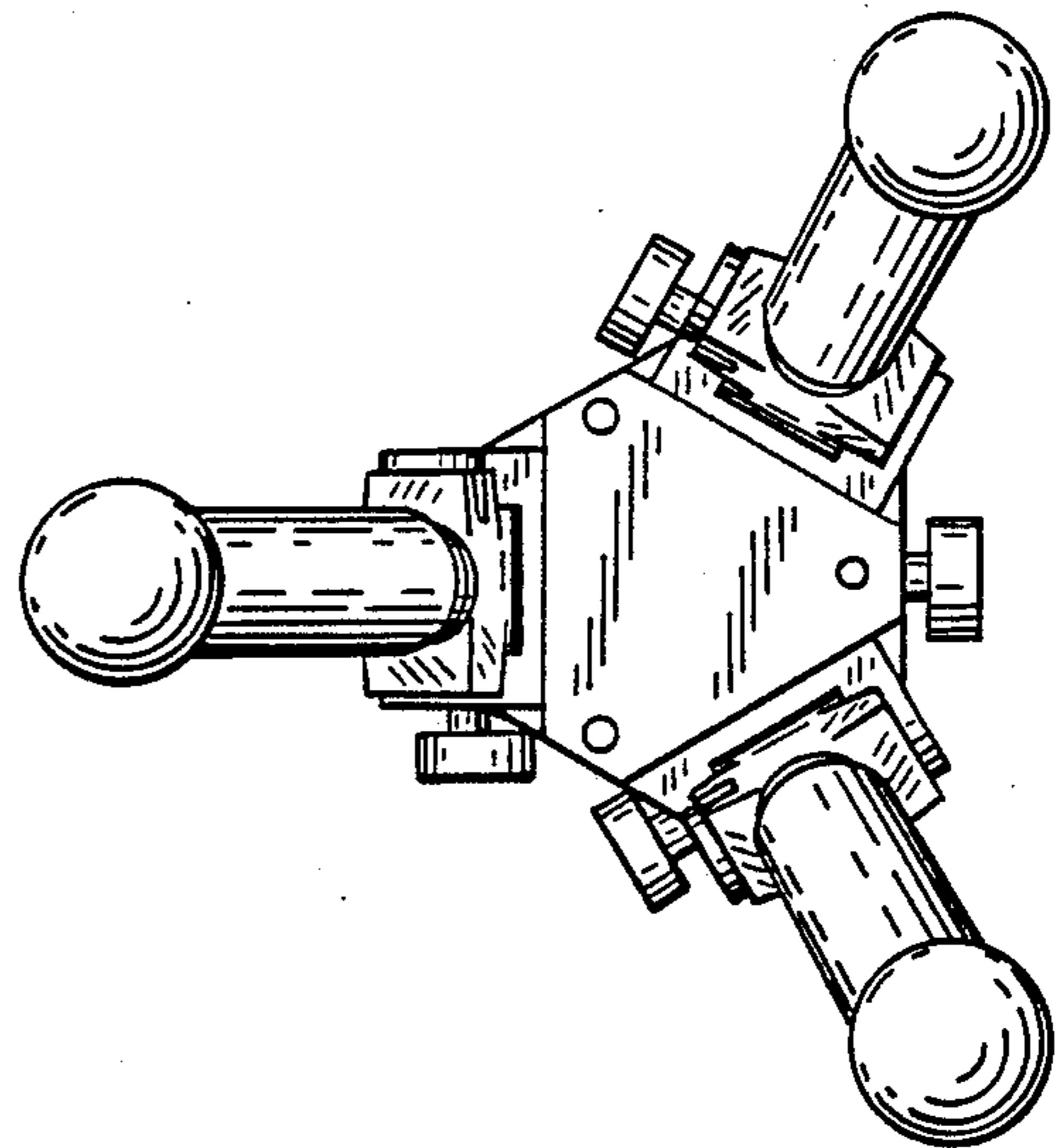


FIG. 4

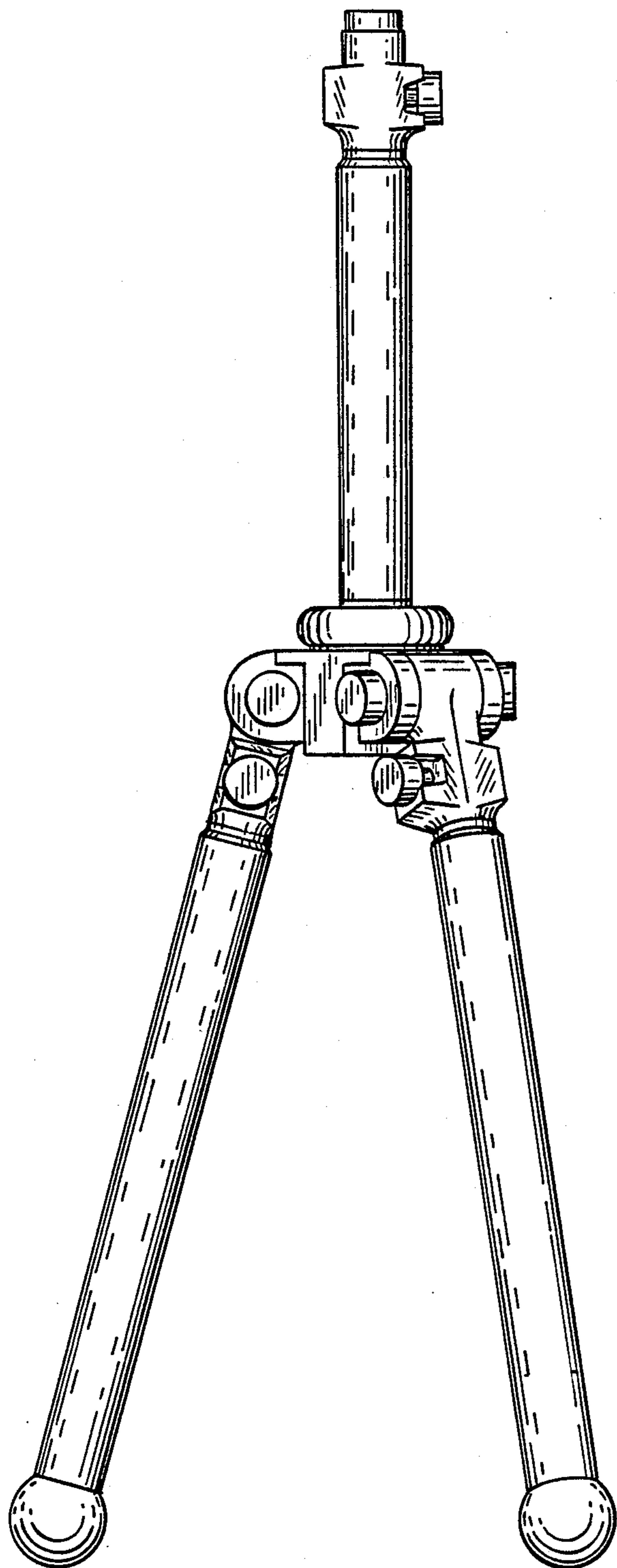


FIG. 5

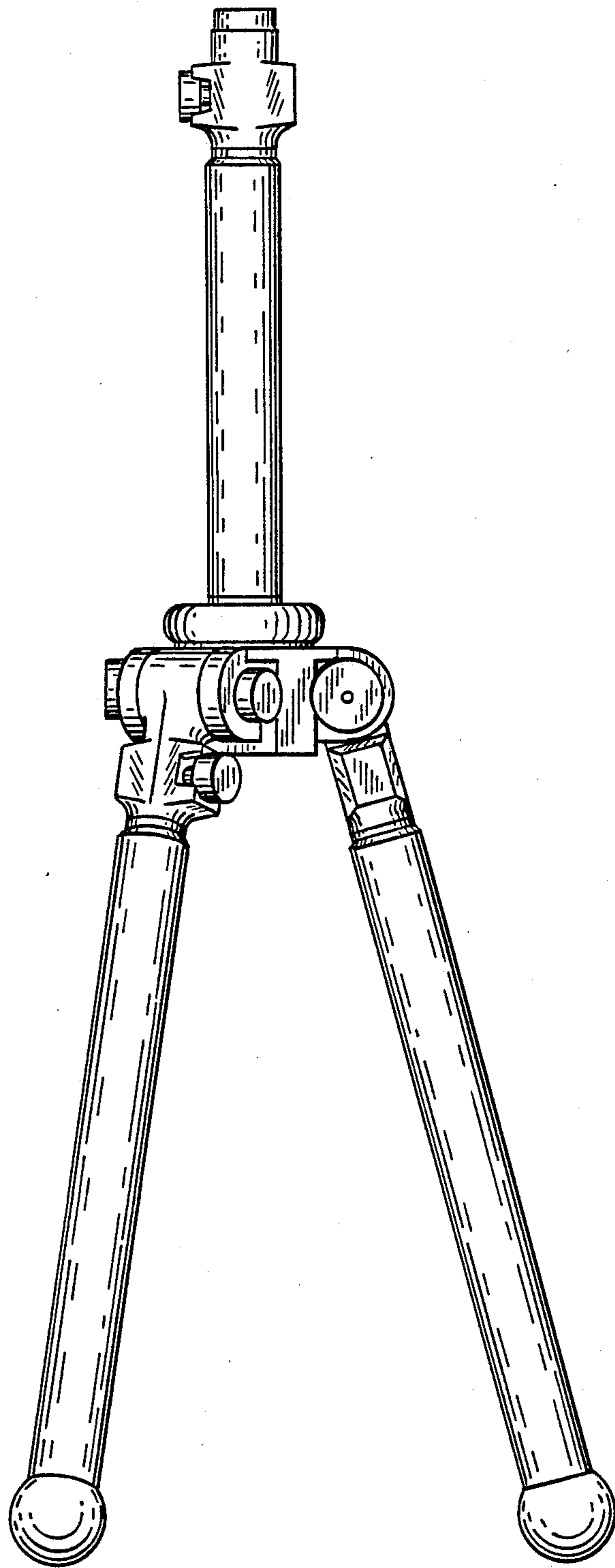


FIG. 6

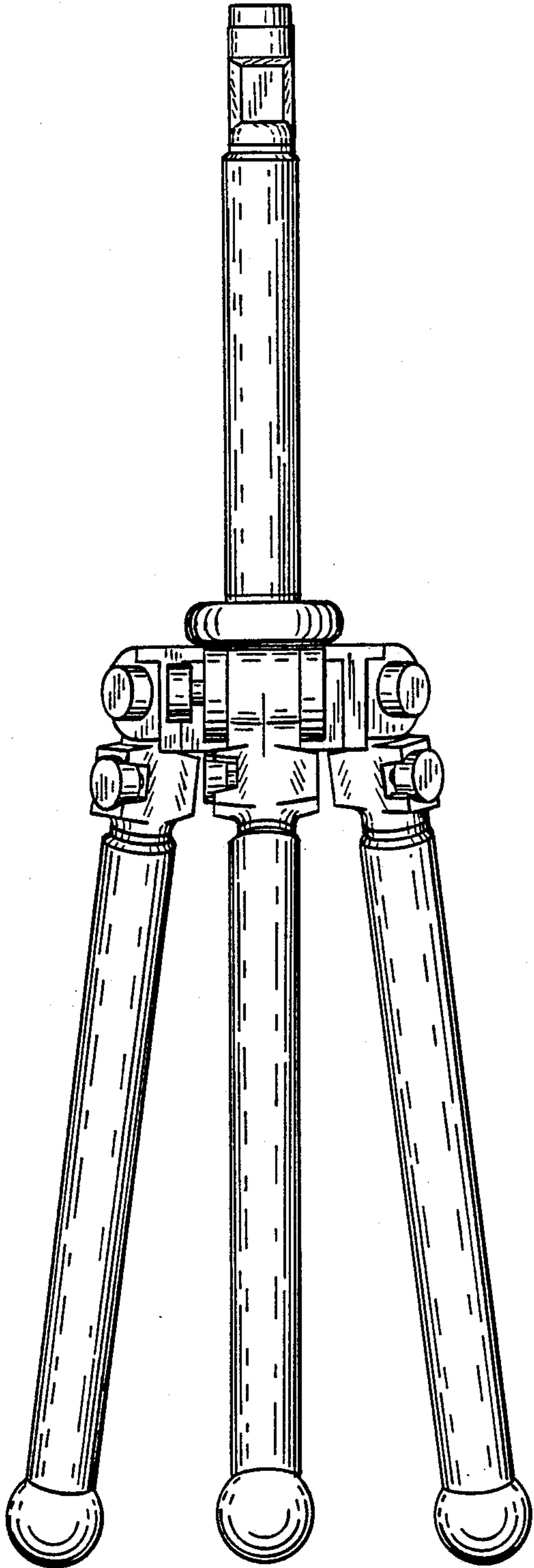


FIG. 7

