

United States Patent [19]

Hoshino et al.

[11] Patent Number: **Des. 299,241**

[45] Date of Patent: **** Jan. 3, 1989**

[54] **RADIAL ARM SAW**

[75] Inventors: **Kiyoshi Hoshino, Tokyo; Kouichi Miyamoto, Hiroshima, both of Japan**

[73] Assignee: **Ryobi Ltd., Japan**

[**] Term: **14 Years**

[21] Appl. No.: **916,090**

[22] Filed: **Oct. 3, 1986**

[30] **Foreign Application Priority Data**

Apr. 3, 1986 [JP] Japan 61-12328

[52] U.S. Cl. **D15/133**

[58] Field of Search D15/133; 83/471, 471.2, 83/485, 478, 473, 761, 471.3; 144/1 R

[56] **References Cited**

U.S. PATENT DOCUMENTS

3,565,135 2/1971 Rosenthal, Jr. et al. 83/471.3

3,738,214 6/1973 Wilson 144/1 R
4,257,297 3/1981 Nidbella 83/478
4,494,431 1/1985 Niswonger 83/471.3
4,553,462 11/1985 Silken 83/471.3
4,742,743 5/1988 Scarpone 83/471.2

Primary Examiner—B. J. Bullock
Attorney, Agent, or Firm—Sughrue, Mion, Zinn,
Macpeak & Seas

[57] **CLAIM**

The ornamental design for a radial arm saw, as shown.

DESCRIPTION

FIG. 1 is a front, top and right side perspective view of a radial arm saw showing our new design; FIG. 2 is a front elevational view thereof; FIG. 3 is a rear elevational view thereof; FIG. 4 is a top plan view thereof; FIG. 5 is a bottom plan view thereof; FIG. 6 is a left side elevational view thereof; and FIG. 7 is a right side elevational view thereof.

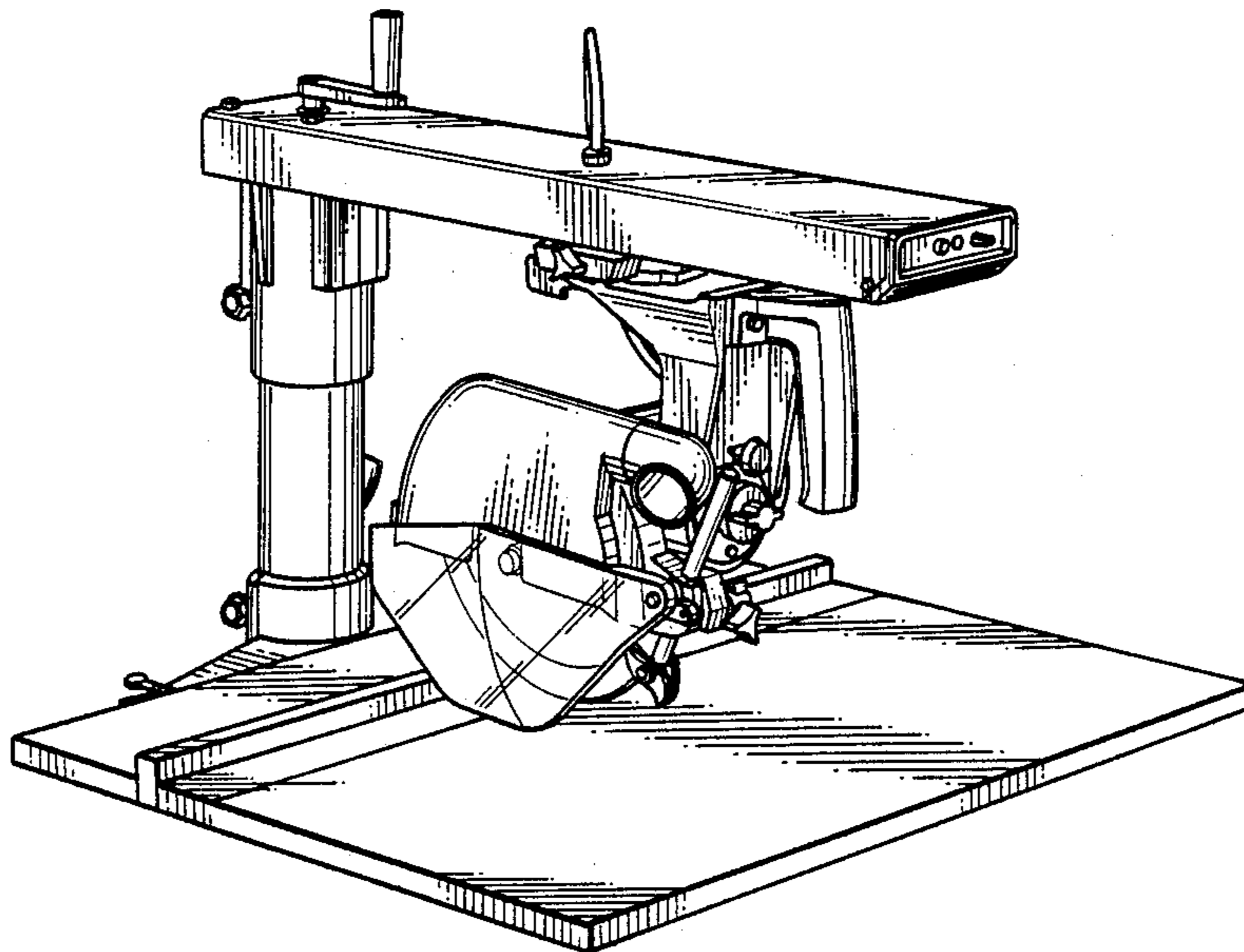


Fig. 1

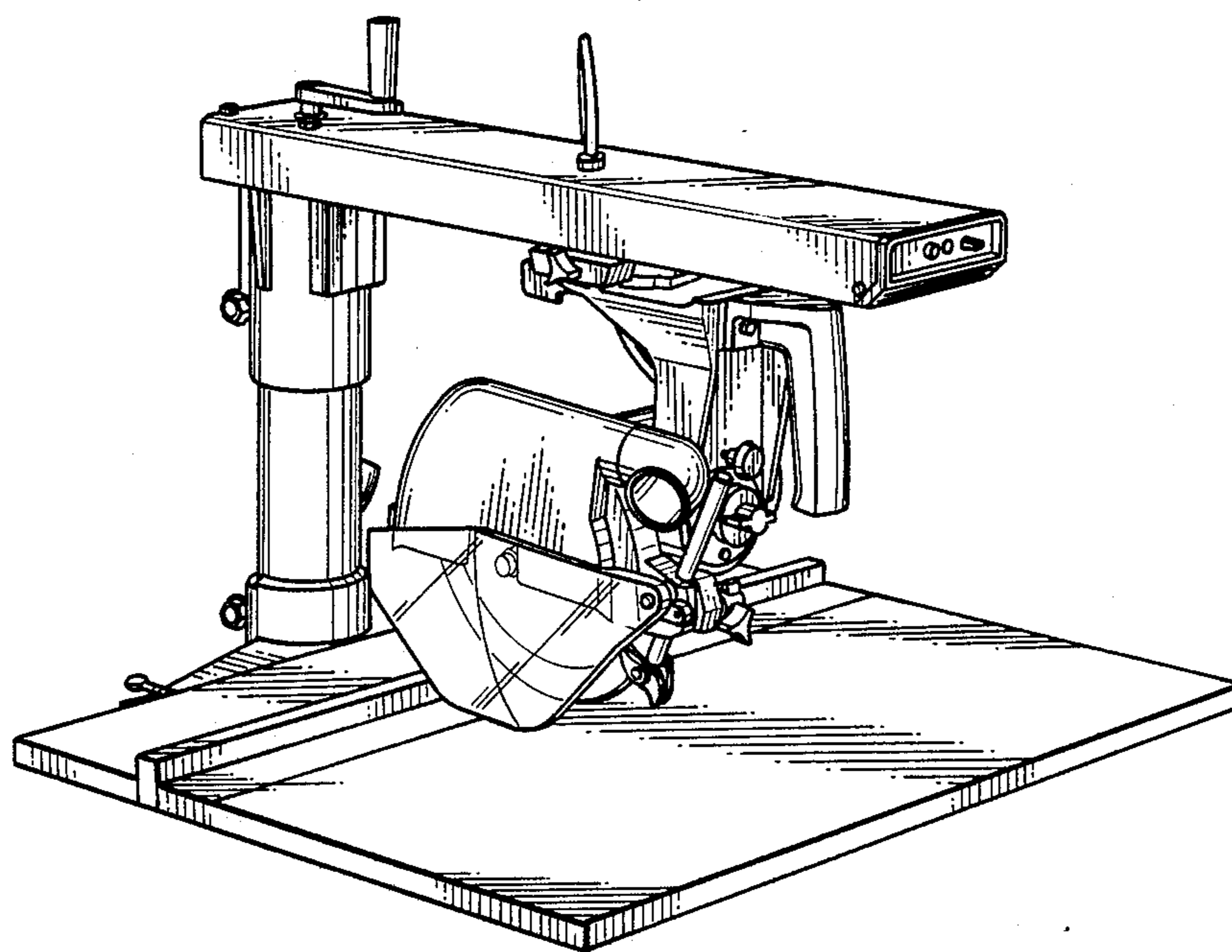


Fig. 2

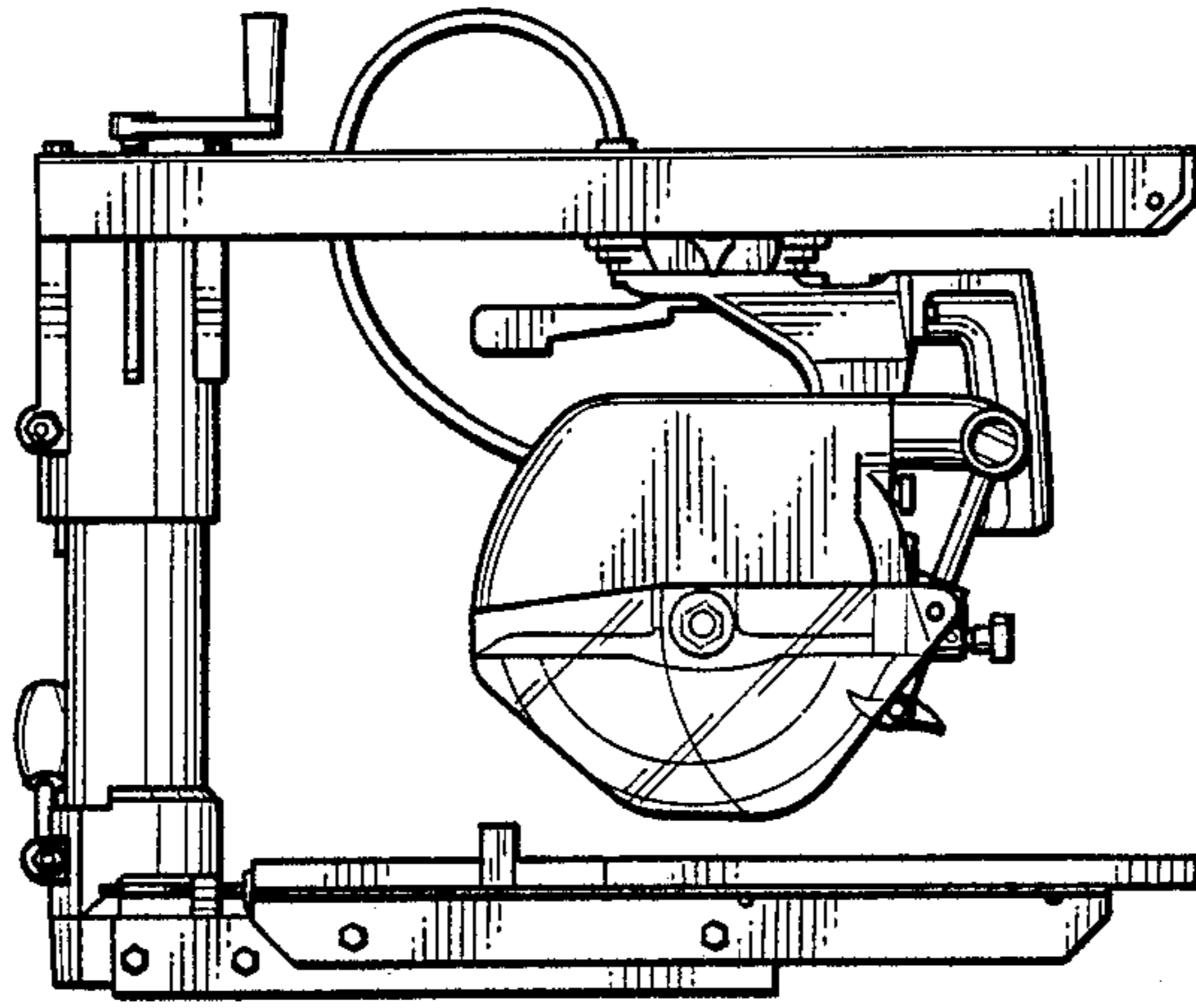


Fig. 3

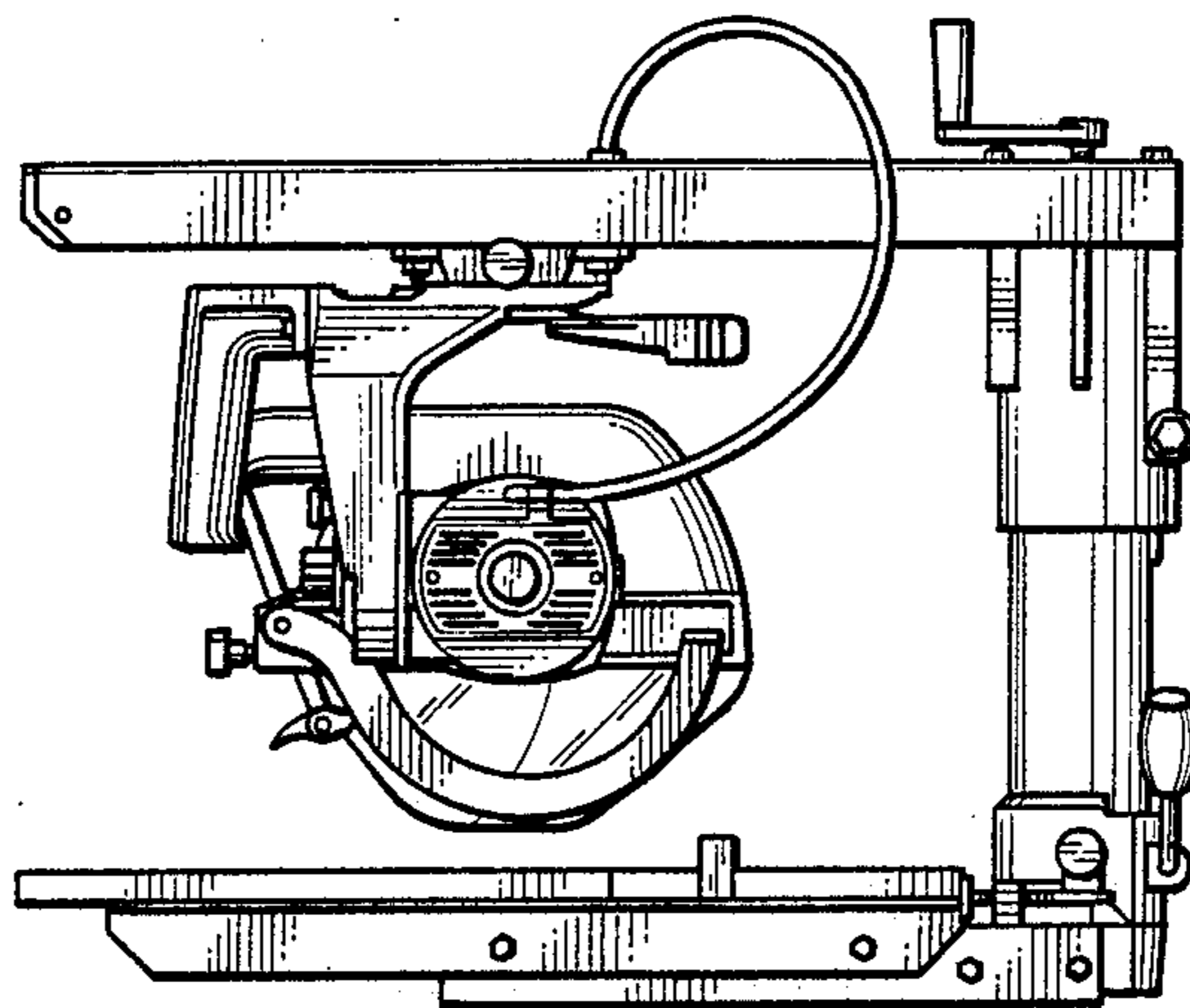


Fig. 4

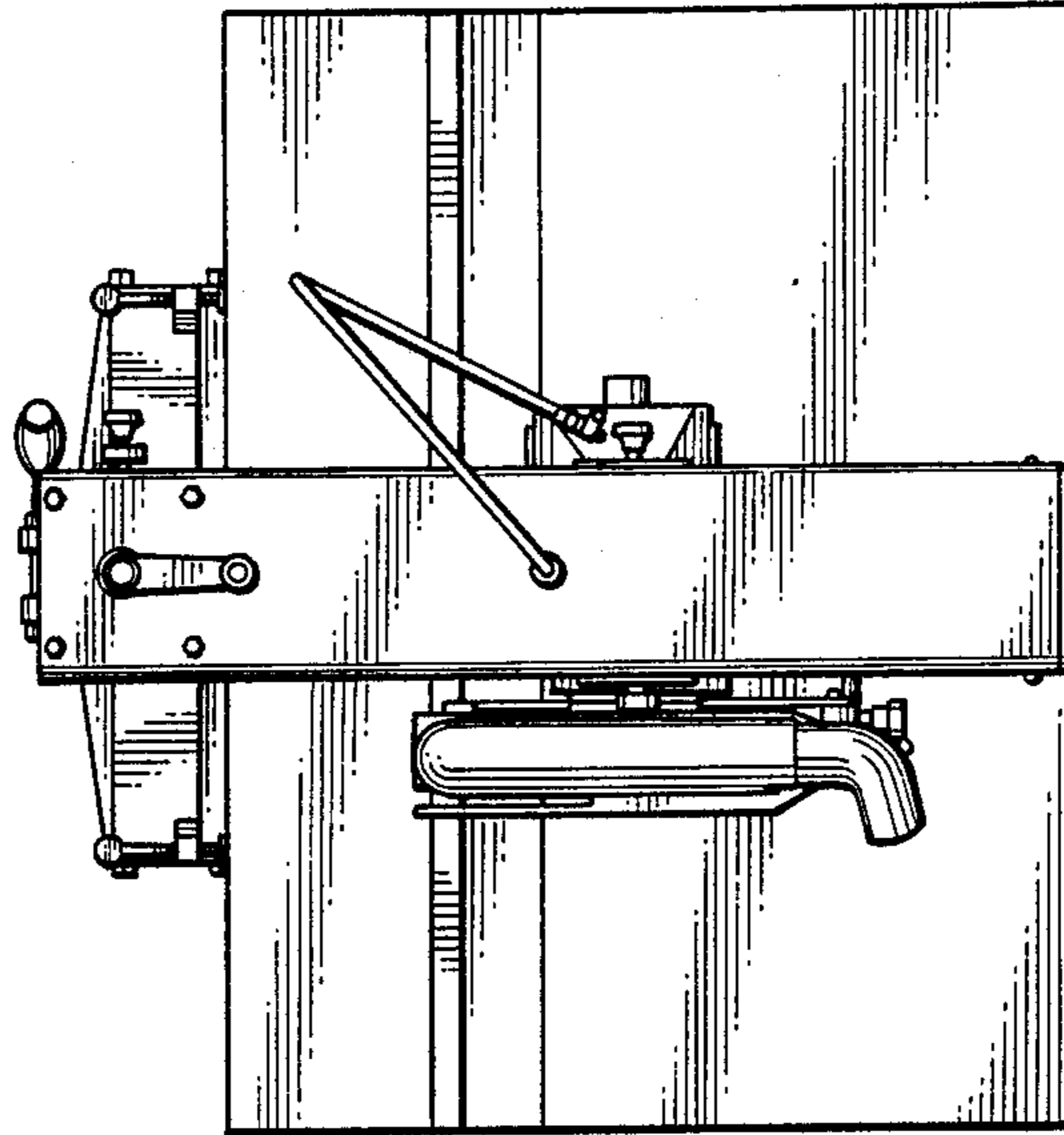


Fig. 5

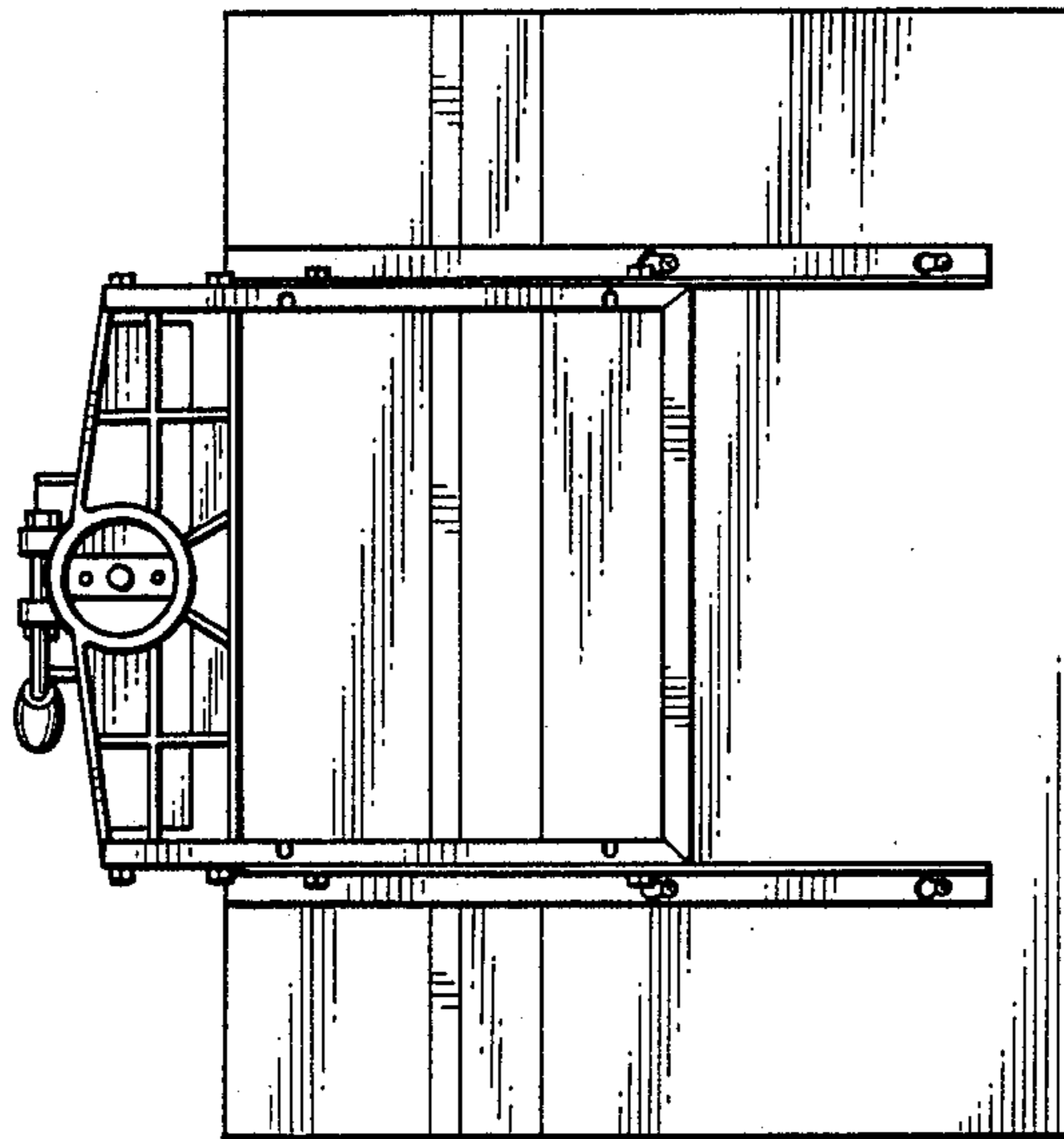


Fig. 6

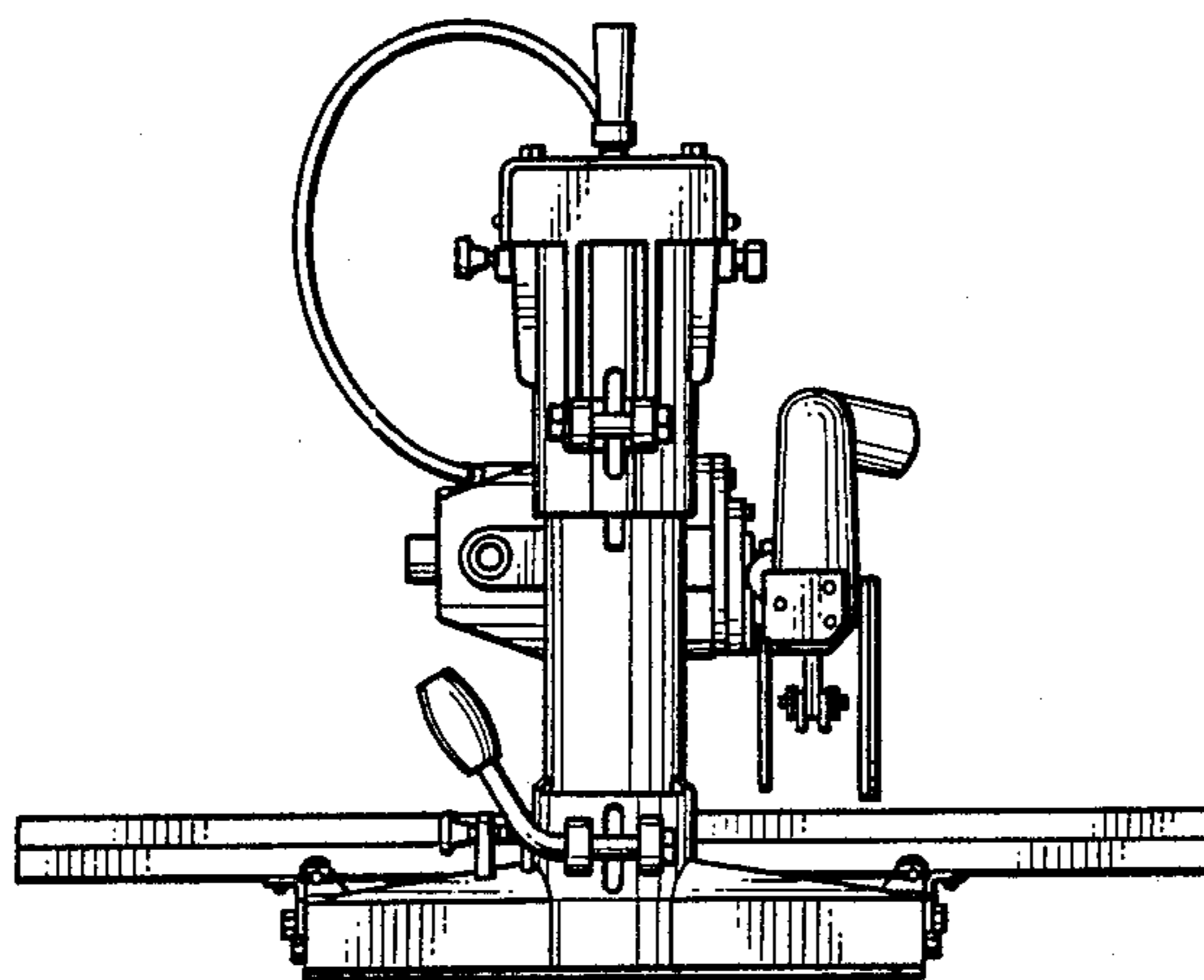


Fig. 7

