

[54] TYNE HOLDER

[56] References Cited

[76] Inventor: David J. Livingstone, 6 Barcoo Island, Sylvania Waters, NSW, Australia, 2224

U.S. PATENT DOCUMENTS

D. 237,526	11/1975	vander Lely	D15/29
3,802,513	4/1974	Ploenges	172/21
4,053,020	10/1977	vander Lely	172/713
4,106,567	8/1978	vander Lely	172/713

[**] Term: 14 Years

Primary Examiner—Wallace R. Burke
Assistant Examiner—Ruth Takemoto
Attorney, Agent, or Firm—Holman & Stern

[21] Appl. No.: 879,176

[57] CLAIM

The ornamental design for the tyne holder, as shown and described.

[22] Filed: Jun. 26, 1986

DESCRIPTION

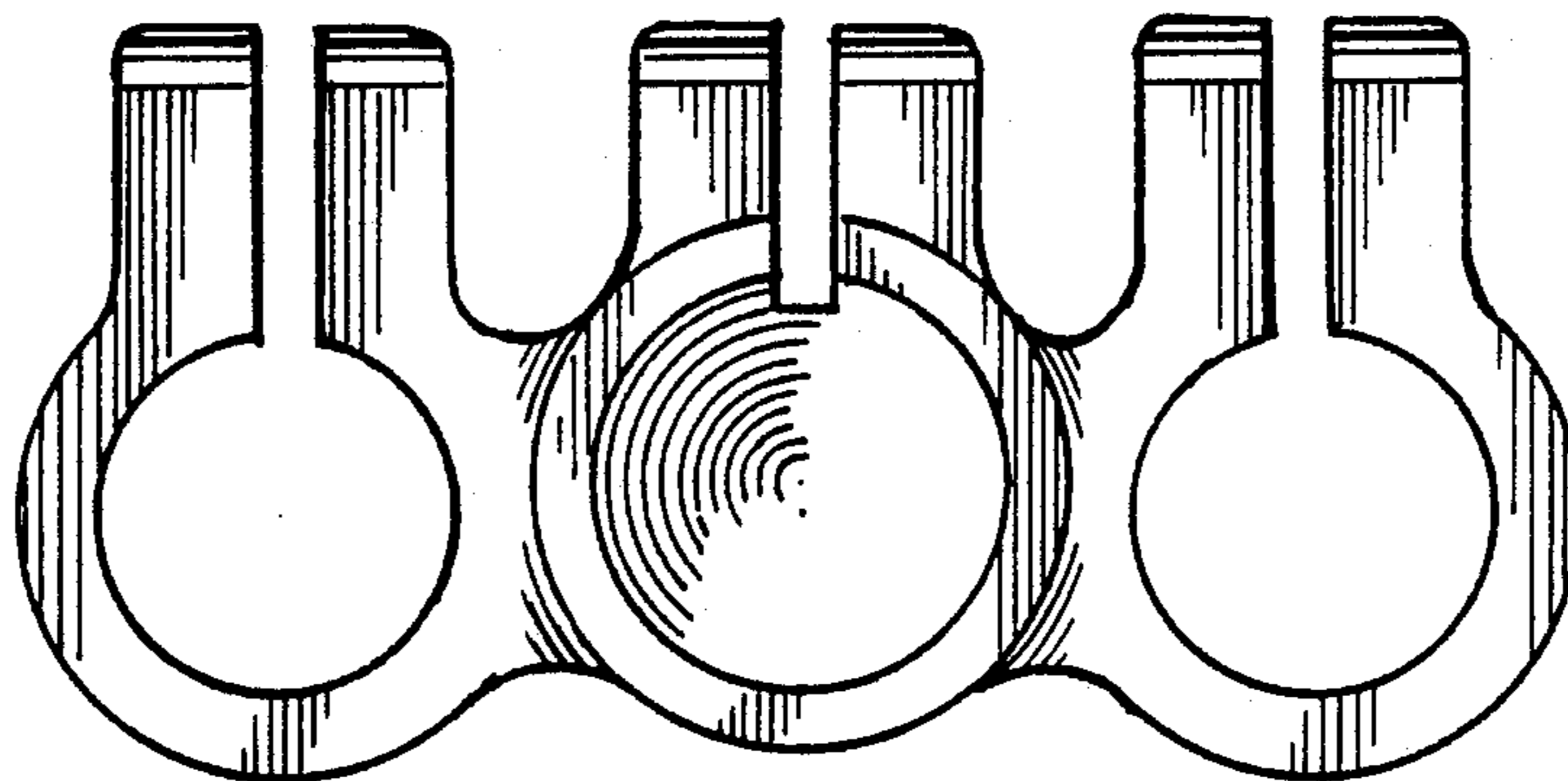
[30] Foreign Application Priority Data

Jan. 2, 1986 [AU] Australia 3765/86

[52] U.S. Cl. D15/28

[58] Field of Search D15/10-12,
D15/28-29, 32; 172/21, 22, 44, 684.5, 699, 713,
720-721, 762-763

FIG. 1 is a rear elevational view of a tine holder showing my new design;
FIG. 2 is a front elevational view thereof;
FIG. 3 is a left side elevational view thereof, the right side being a mirror image;
FIG. 4 is a top perspective view thereof;
FIG. 5 is a top plan view thereof; and
FIG. 6 is a bottom plan view thereof.



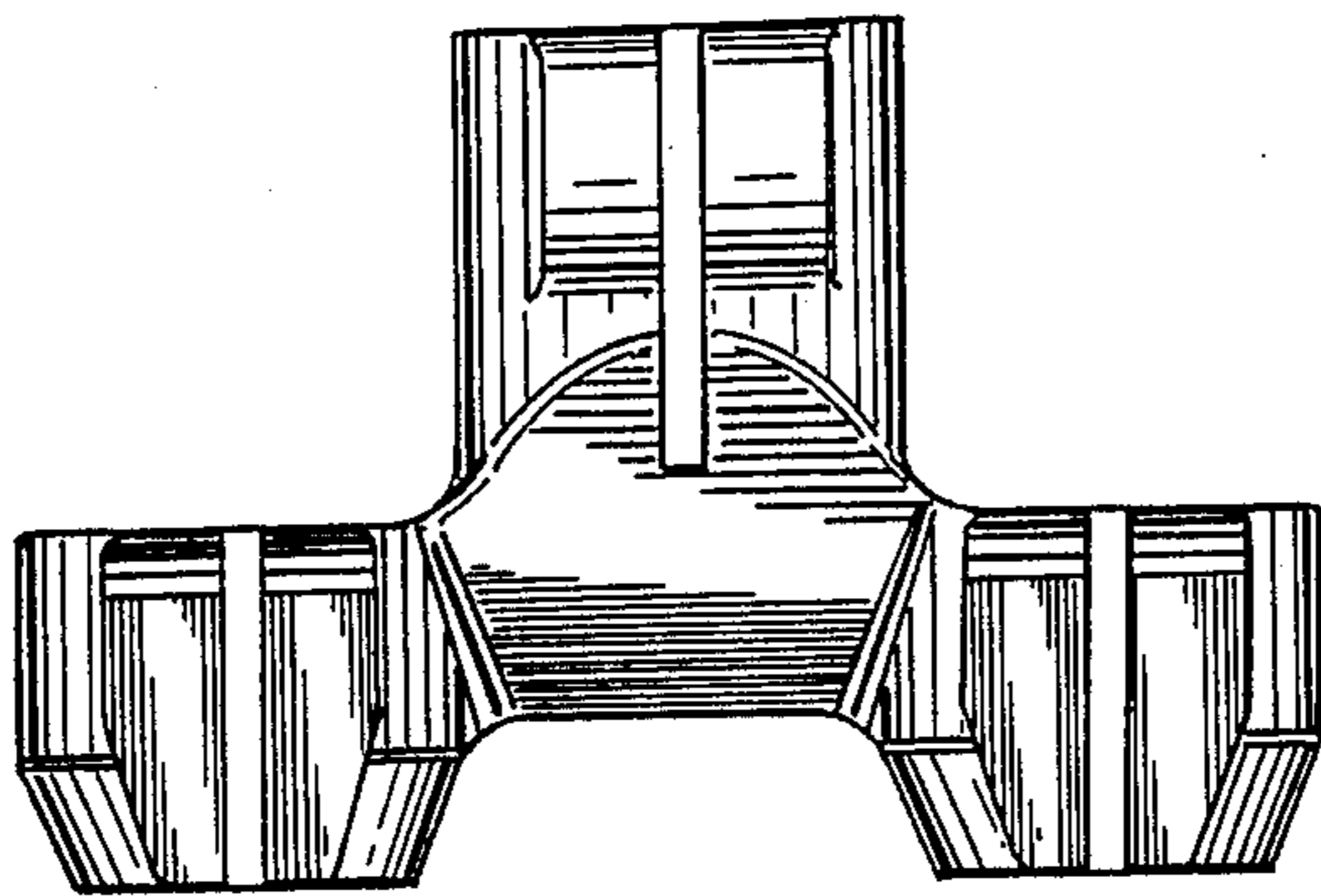


FIG. 1

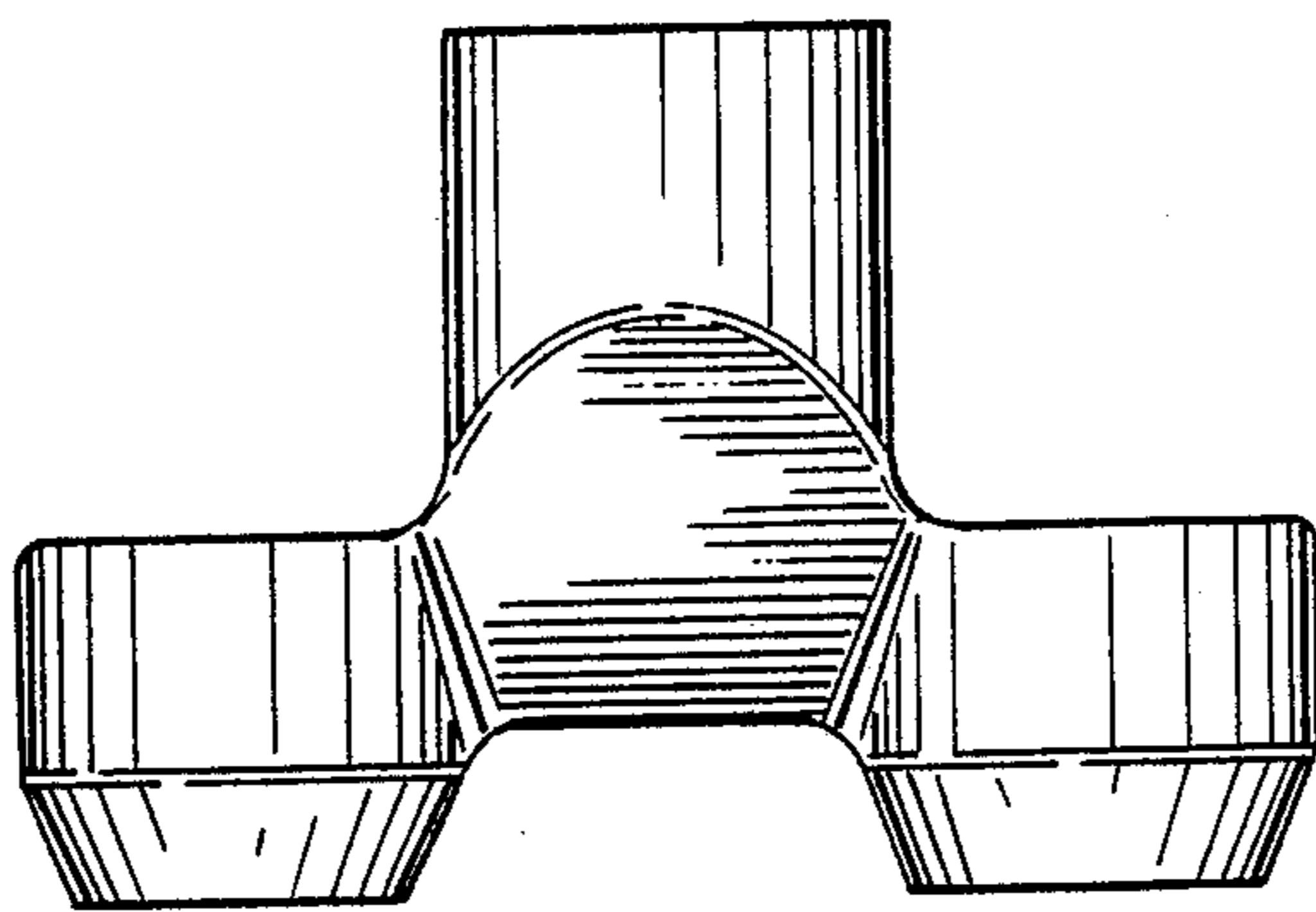
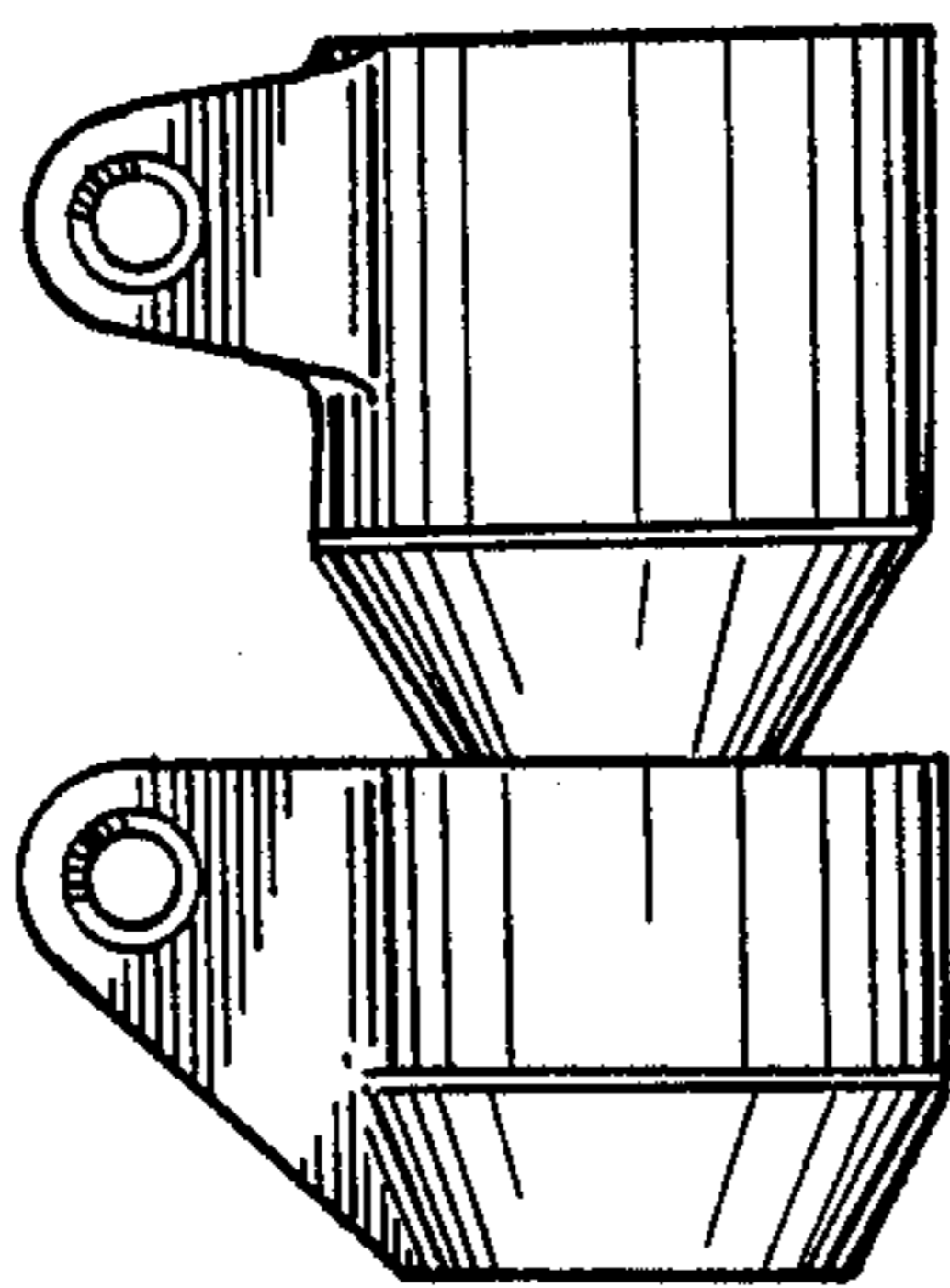


FIG. 2

FIG. 3



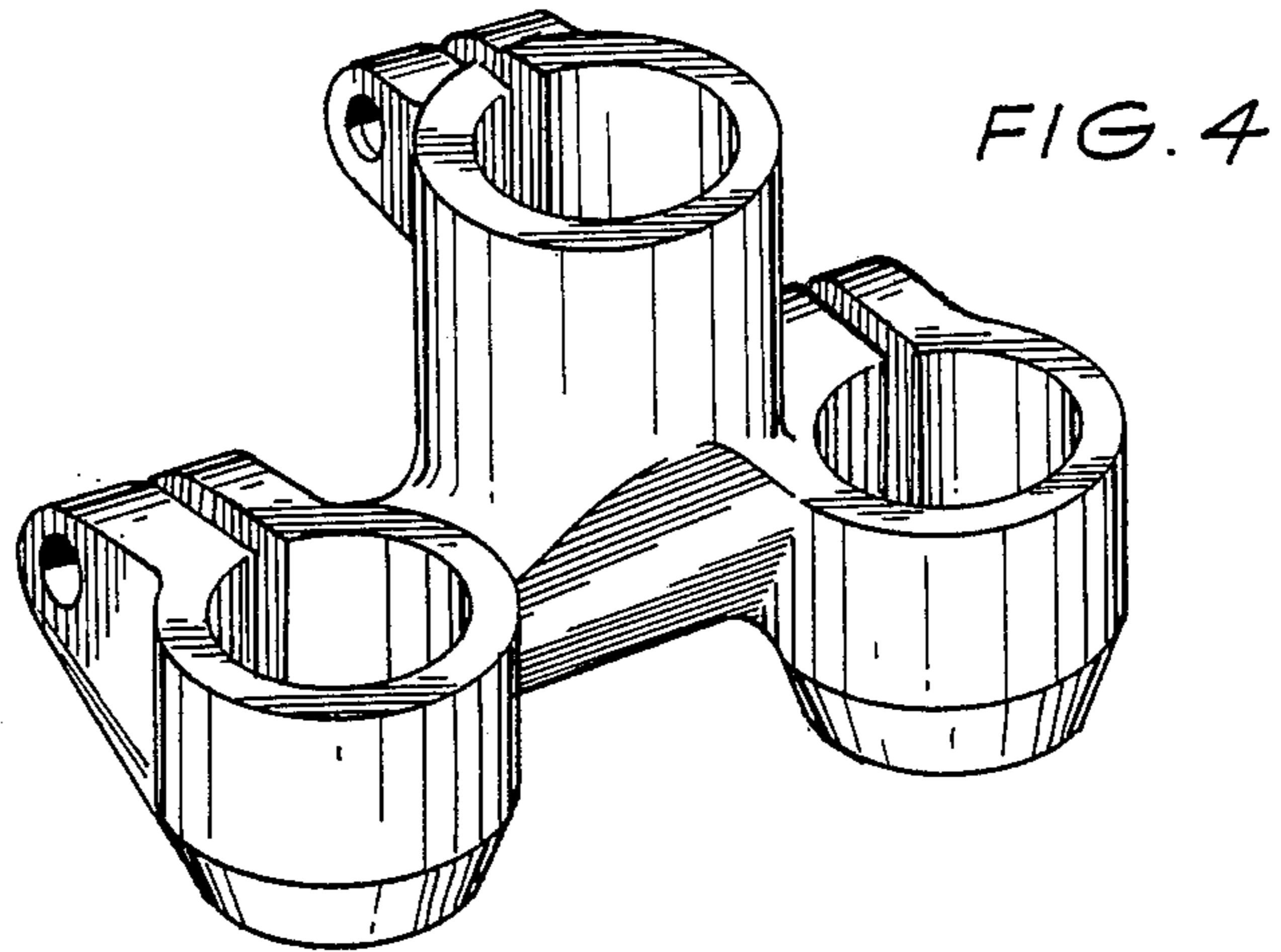


FIG. 5

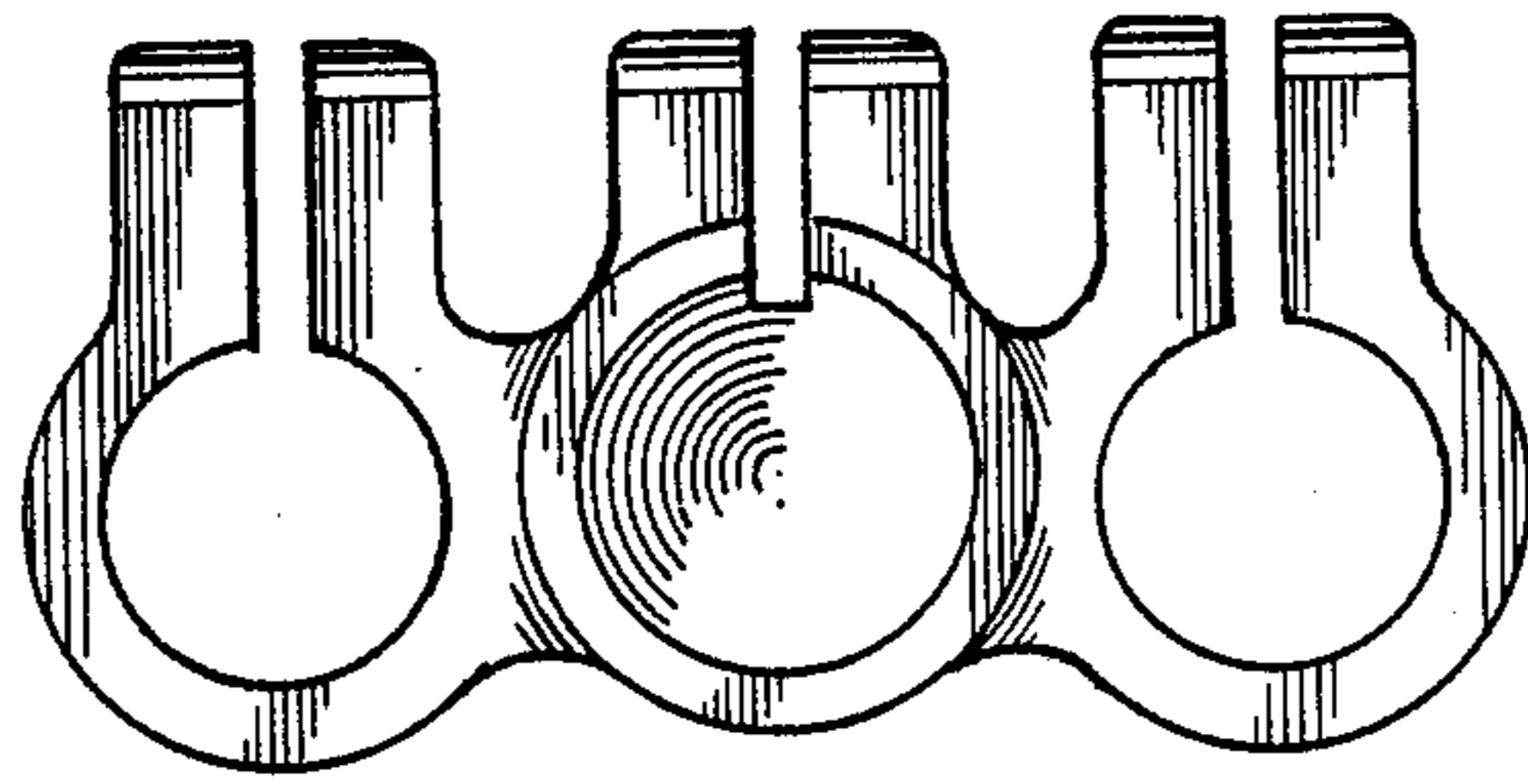


FIG. 6

