

[54] **TYNE HOLDER**

[76] **Inventor: David J. Livingstone, 6 Barcoo Island, Sylvania Waters, NSW, Australia, 2224**

[**] **Term: 14 Years**

[21] **Appl. No.: 879,175**

[22] **Filed: Jun. 26, 1986**

[30] **Foreign Application Priority Data**

Jan. 2, 1986 [AU] Australia 3764/86
[52] **U.S. Cl. D15/28**
[58] **Field of Search D15/10-12, D15/28-29, 32; 172/21, 22, 44, 684.5, 699, 713, 720-721, 762-763**

[56] **References Cited**

U.S. PATENT DOCUMENTS

D. 237,526 11/1975 vander Lely D15/29
3,802,513 4/1974 Ploenges 172/21
4,053,020 10/1977 vander Lely 172/713
4,106,567 8/1978 vander Lely 172/713

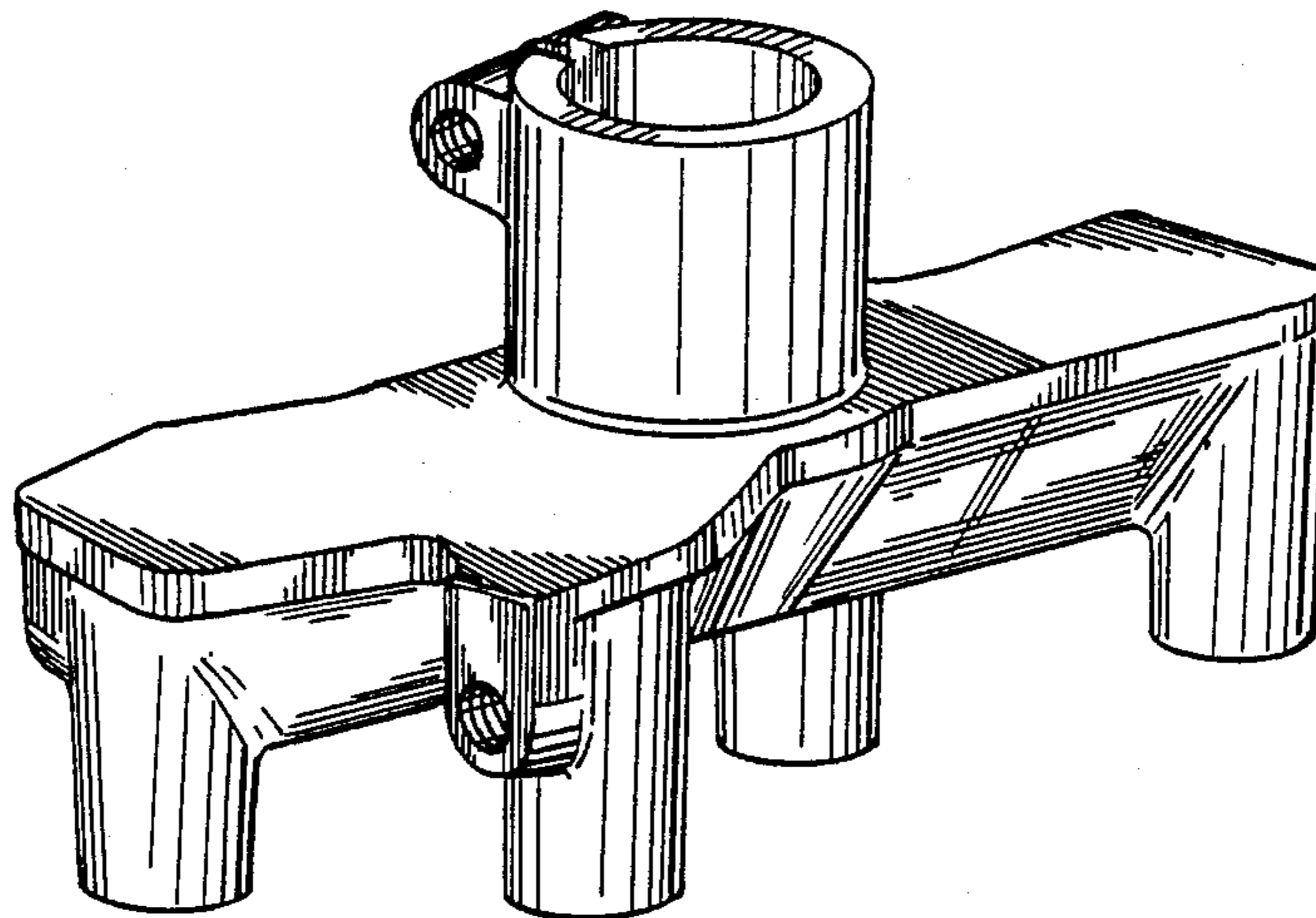
Primary Examiner—Wallace R. Burke
Assistant Examiner—Ruth Takemoto
Attorney, Agent, or Firm—Holman & Stern

[57] **CLAIM**

The ornamental design for the tyne holder, as shown and described.

DESCRIPTION

FIG. 1 is a rear elevational view of a tine holder showing my new design;
FIG. 2 is a front elevational view thereof;
FIG. 3 is a left side elevational view thereof;
FIG. 4 is a right side elevational view thereof;
FIG. 5 is a top perspective view thereof;
FIG. 6 is a top plan view thereof; and
FIG. 7 is a bottom plan view thereof.



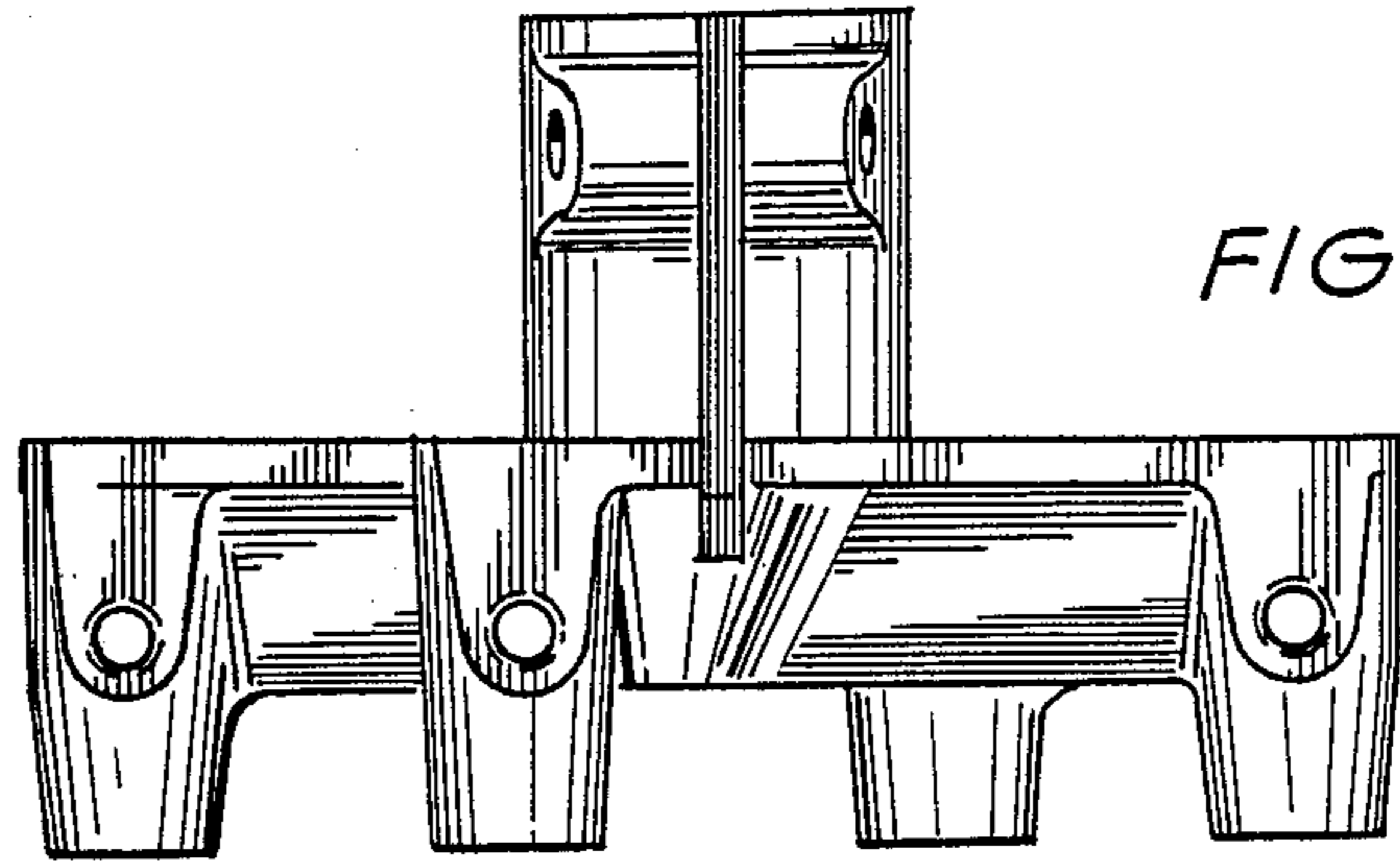


FIG. 1

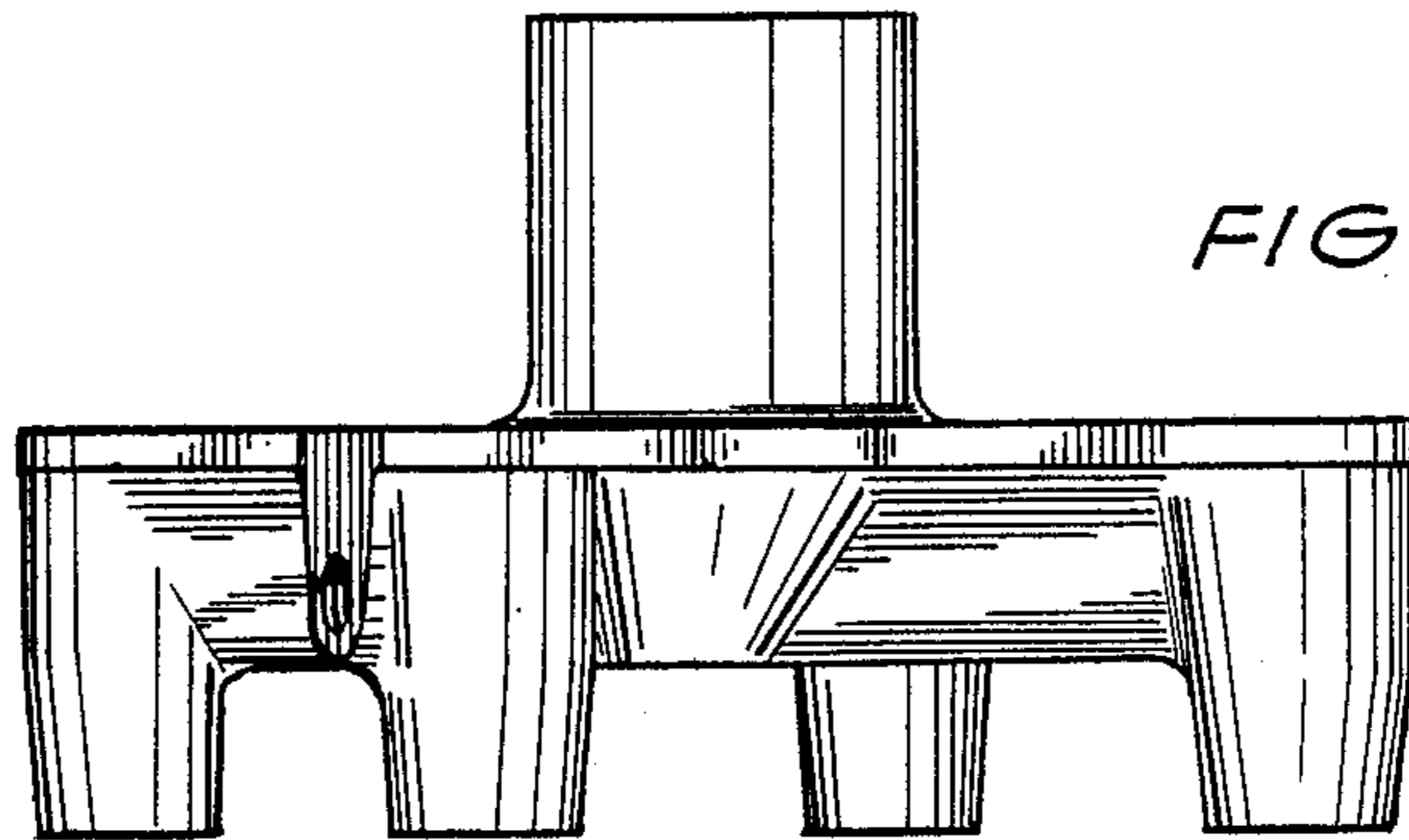


FIG. 2

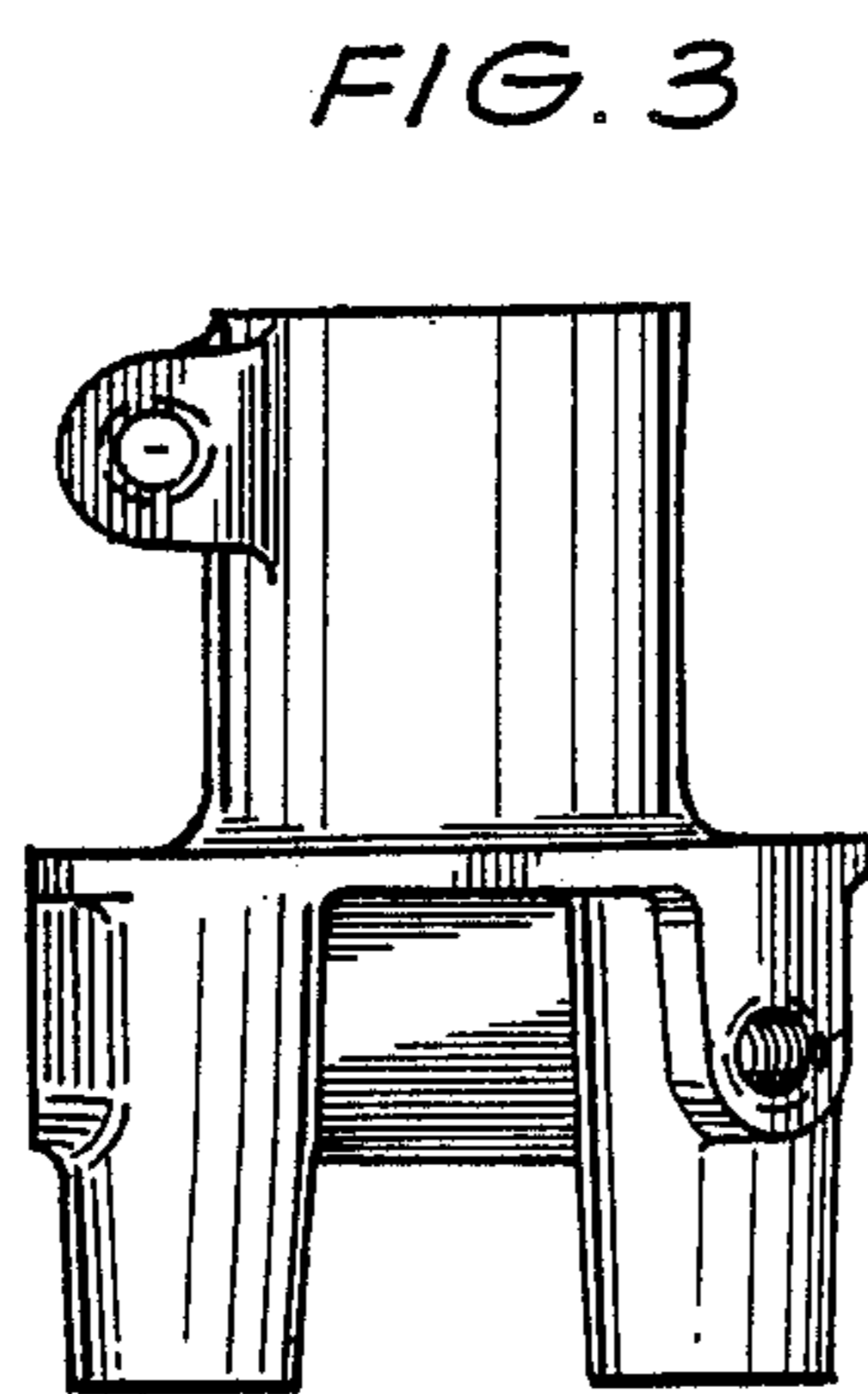


FIG. 3

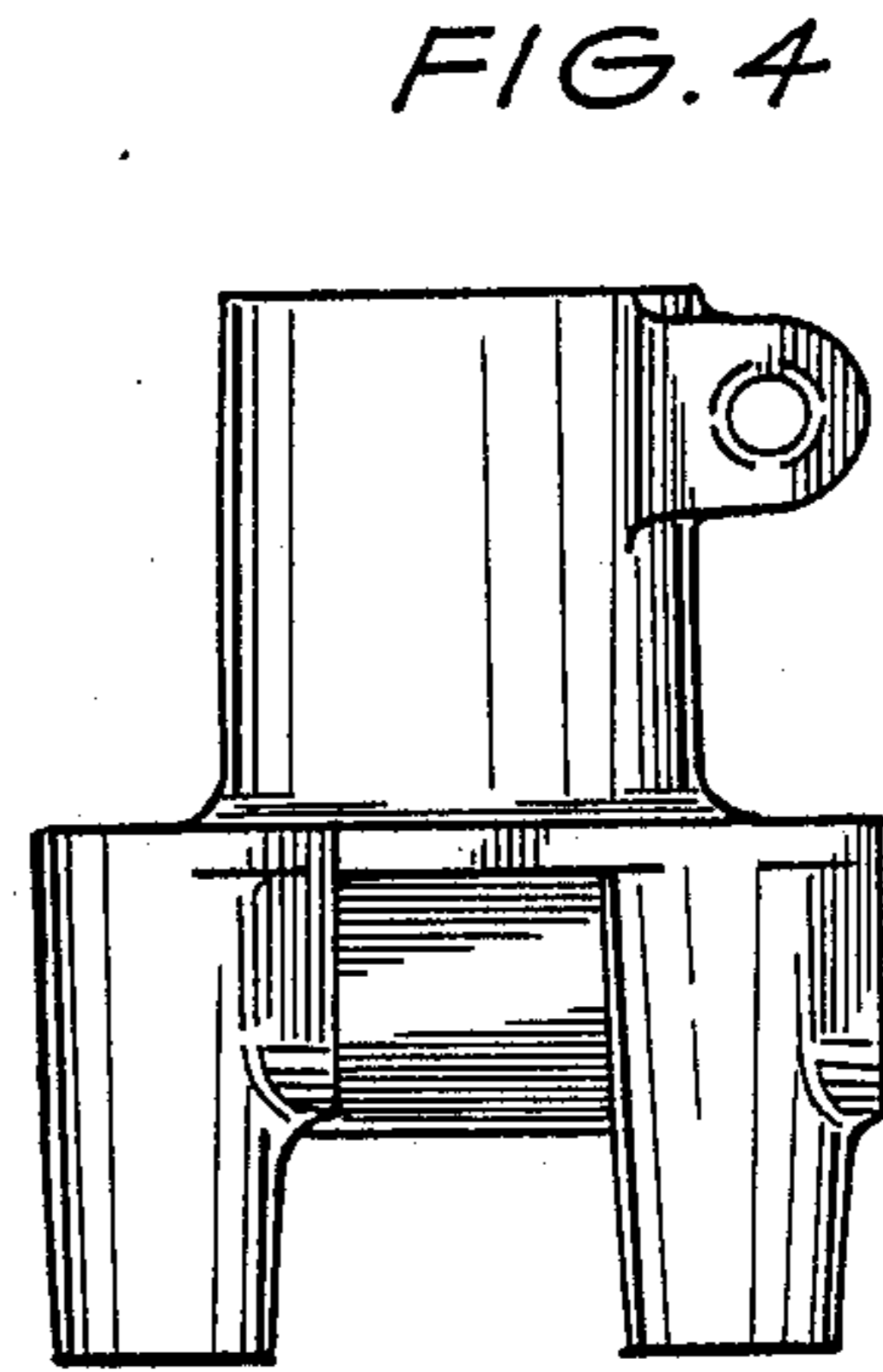


FIG. 4

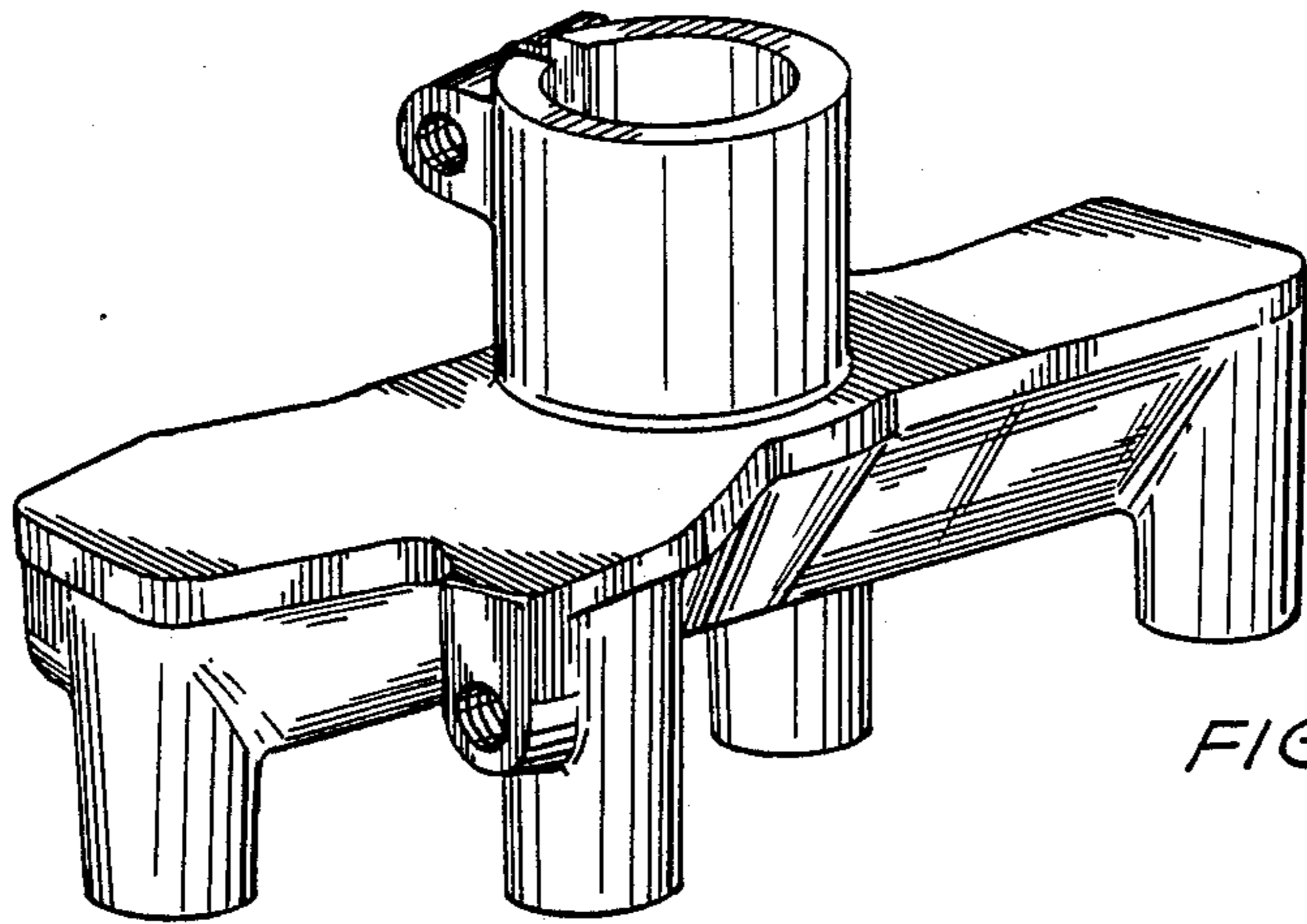


FIG. 5

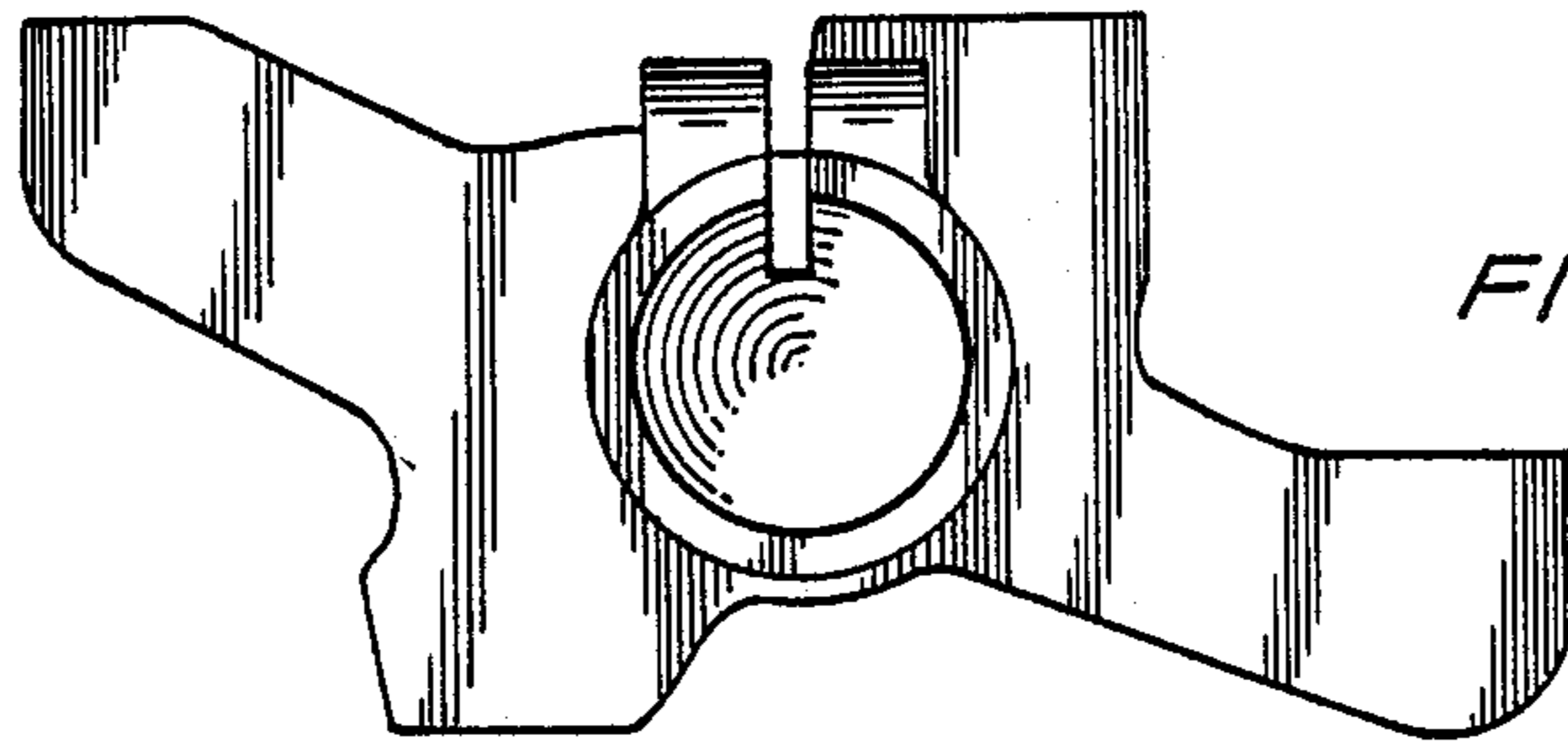


FIG. 6

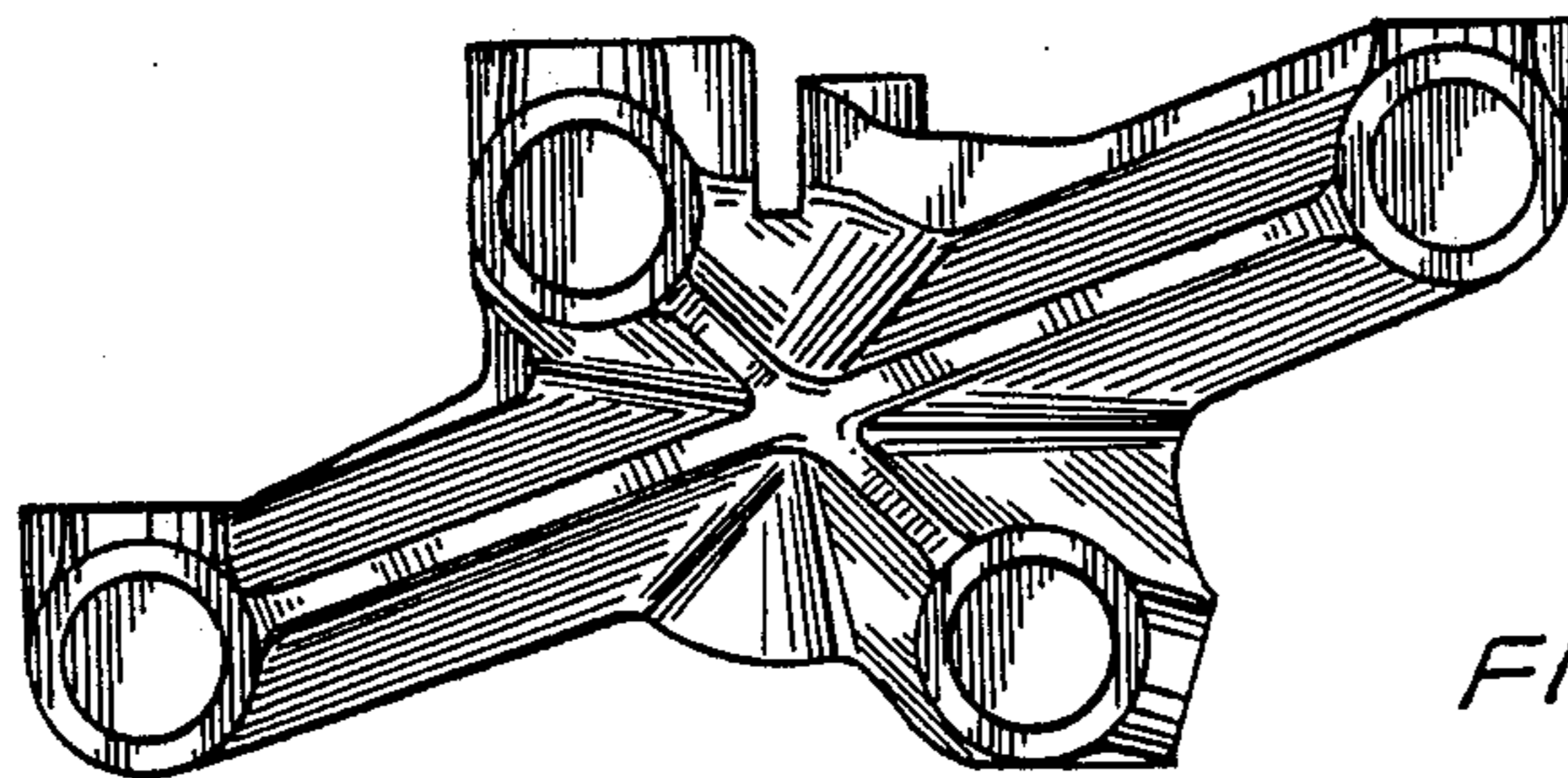


FIG. 7