

[54] **DISPLAY MONITOR**

[75] **Inventor: Kenneth A. High, Cary, N.C.**
[73] **Assignee: International Business Machines Corporation, Armonk, N.Y.**
[**] **Term: 14 Years**
[21] **Appl. No.: 874,931**

[22] **Filed: Jun. 16, 1986**
[52] **U.S. Cl. D14/113**
[58] **Field of Search D14/100, 106, 113, 77, D14/80, 81, 82; 340/700, 711, 720; 358/254, 249; 312/7.2**

[56] **References Cited**

U.S. PATENT DOCUMENTS

D. 275,287 8/1984 Johola et al. D14/113
D. 282,846 3/1986 Tsuburaya et al. D14/113
D. 290,363 6/1987 Conway et al. D14/113
D. 291,575 8/1987 Wiseman D14/113

OTHER PUBLICATIONS

Form 108/109, 1-1985, p. 45, Monitor.
Primary Examiner—Susan J. Lucas
Attorney, Agent, or Firm—Gerald R. Woods

[57] **CLAIM**

The ornamental design for a display monitor, as shown and described.

DESCRIPTION

FIG. 1 is a top, front perspective view of a display monitor showing our new design;
FIG. 2 is a front elevational view thereof on an enlarged scale;
FIG. 3 is a rear side elevational view thereof on an enlarged scale;
FIG. 4 is a left side elevational view thereof on an enlarged scale;
FIG. 5 is a rear side elevational view thereof on an enlarged scale;
FIG. 6 is a top plan view thereof on an enlarged scale;
FIG. 7 is a bottom plan view thereof on an enlarged scale;

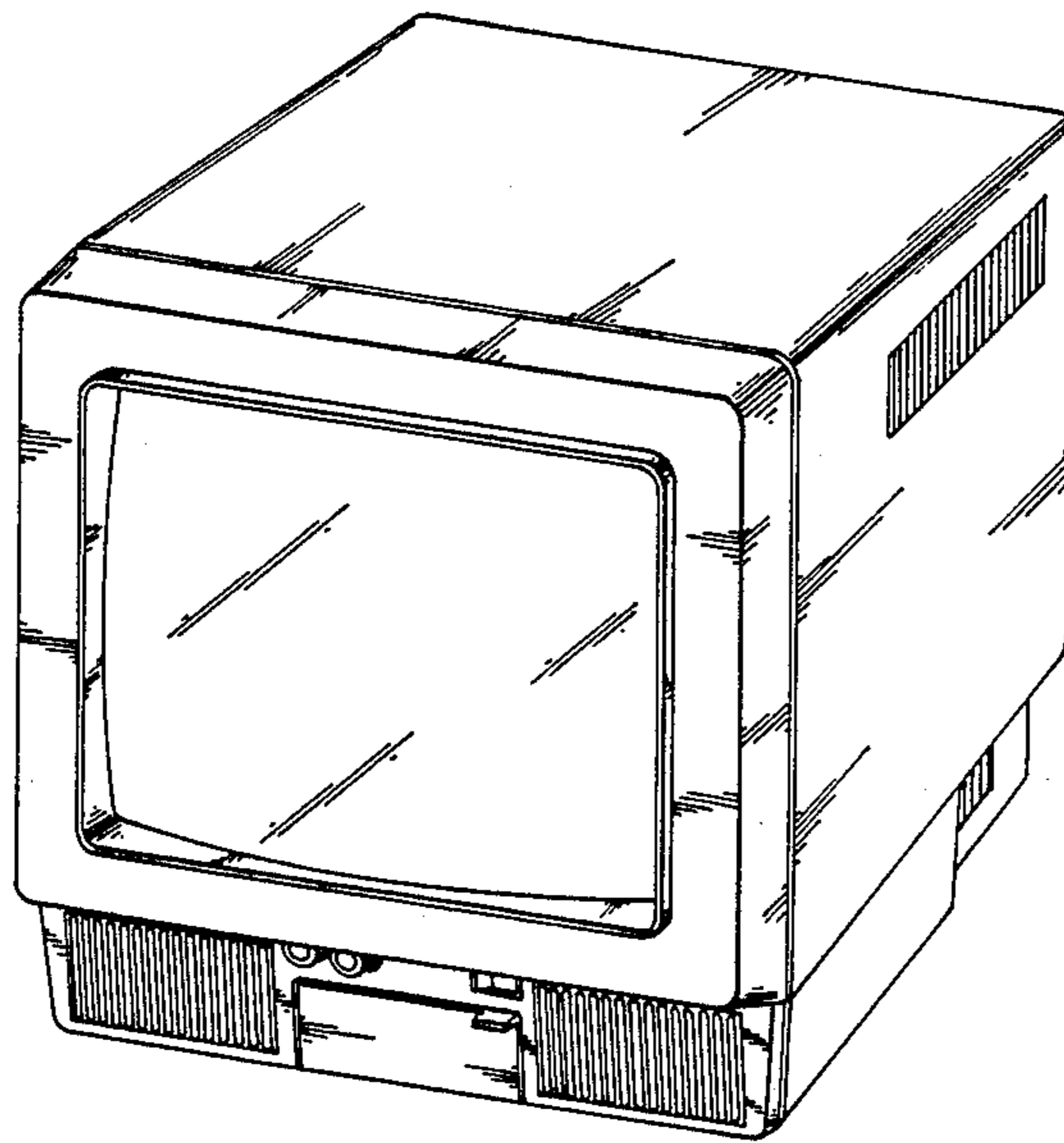


FIG. 1

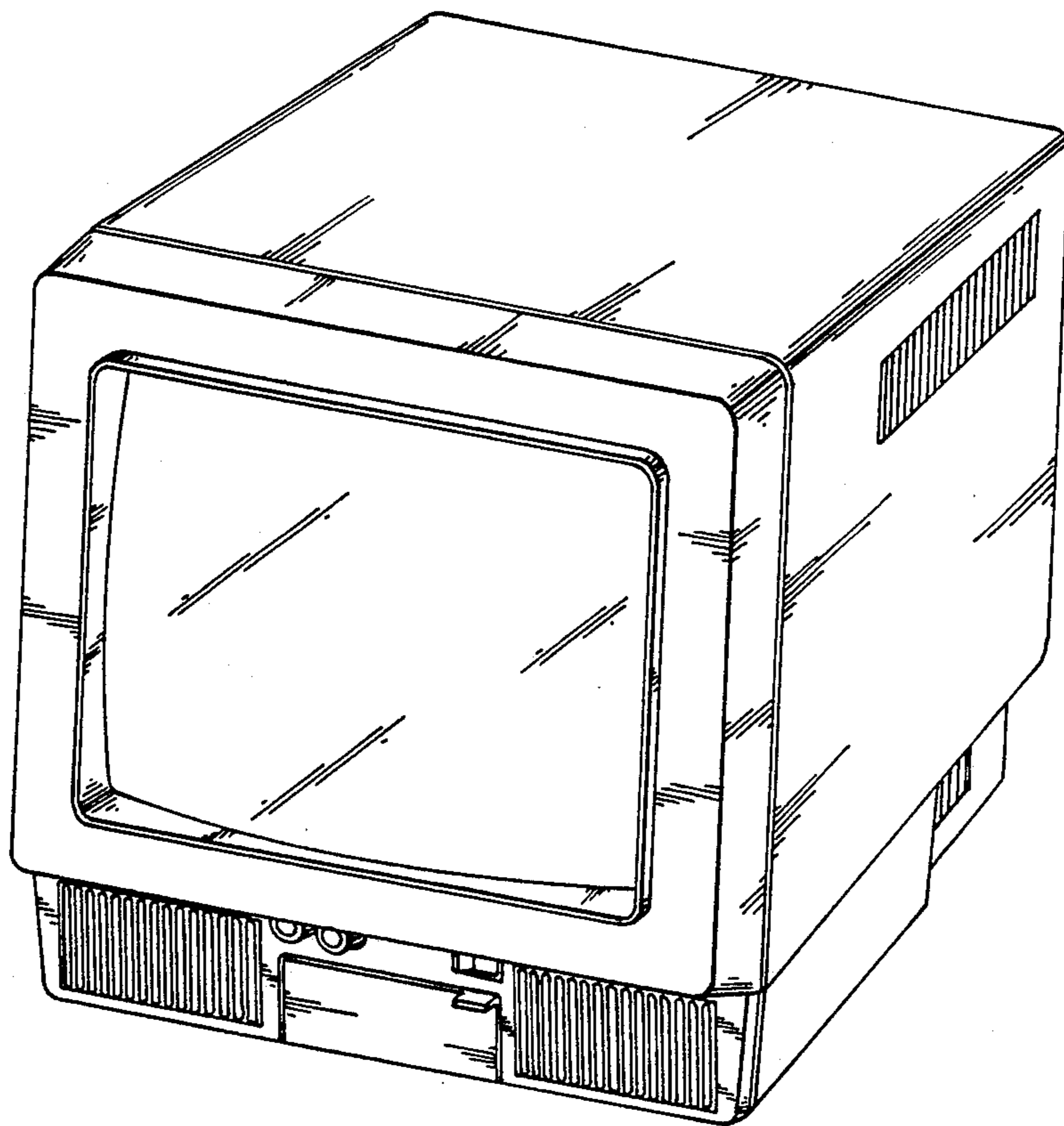


FIG. 2

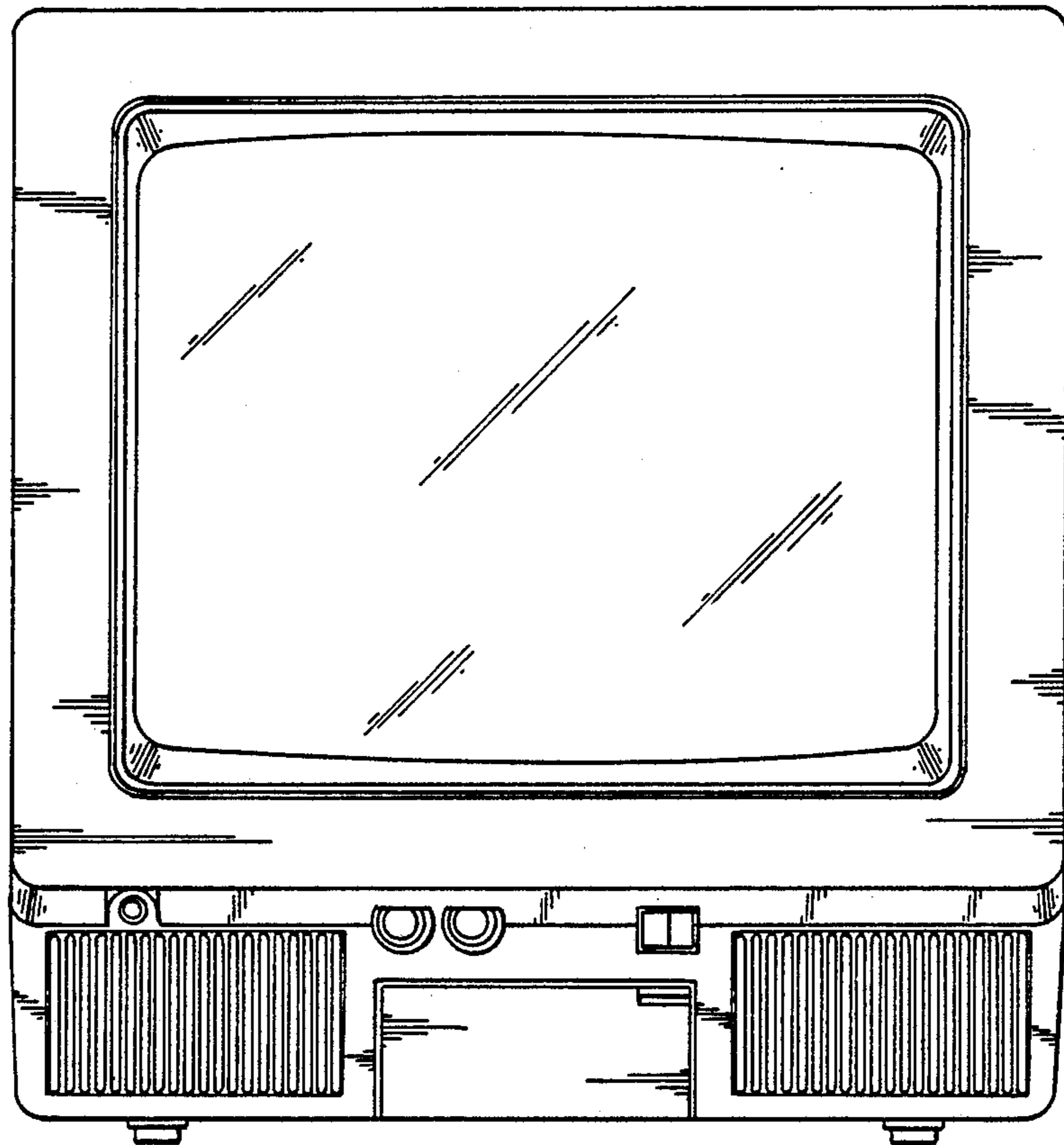


FIG. 3

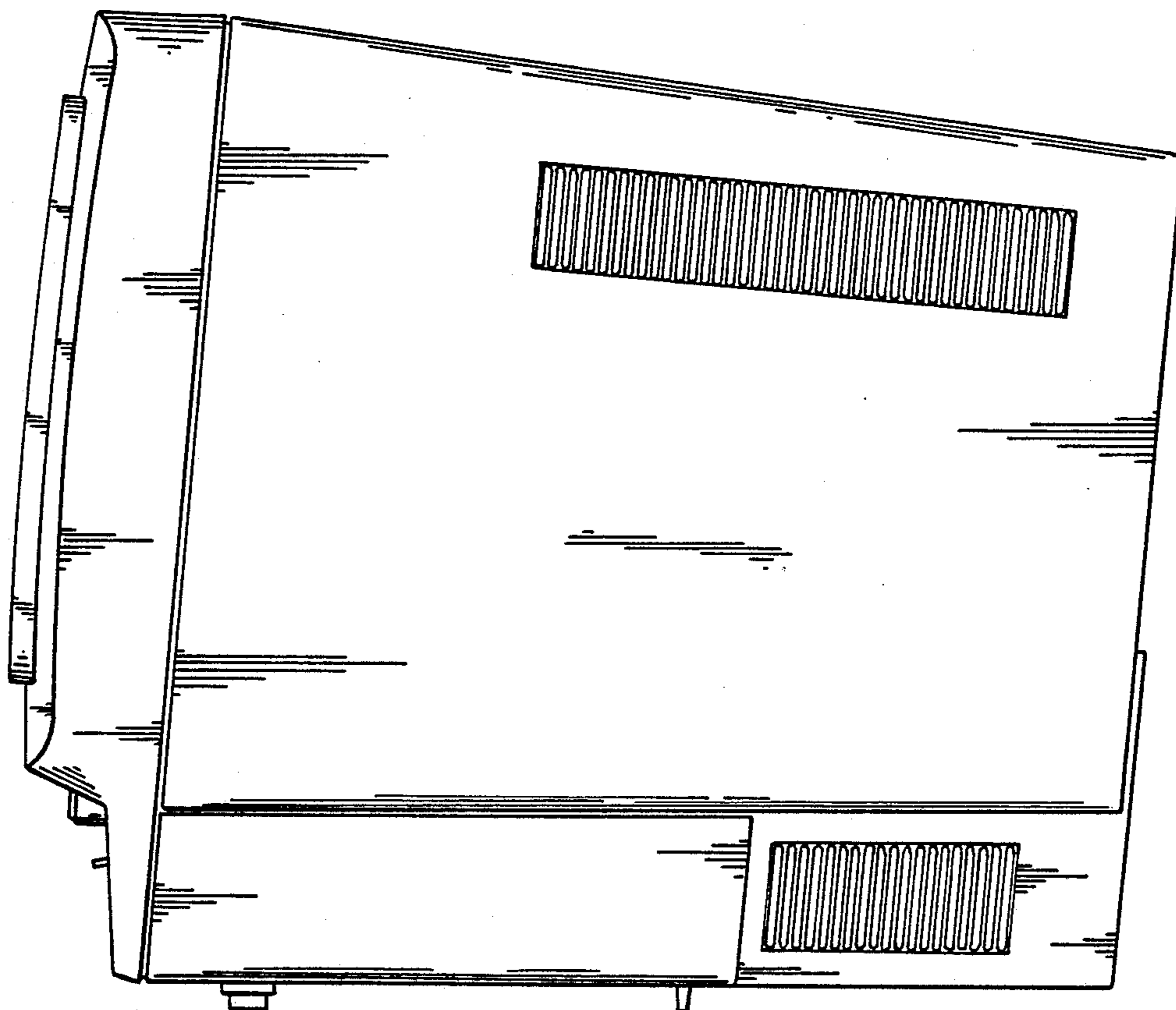


FIG. 4

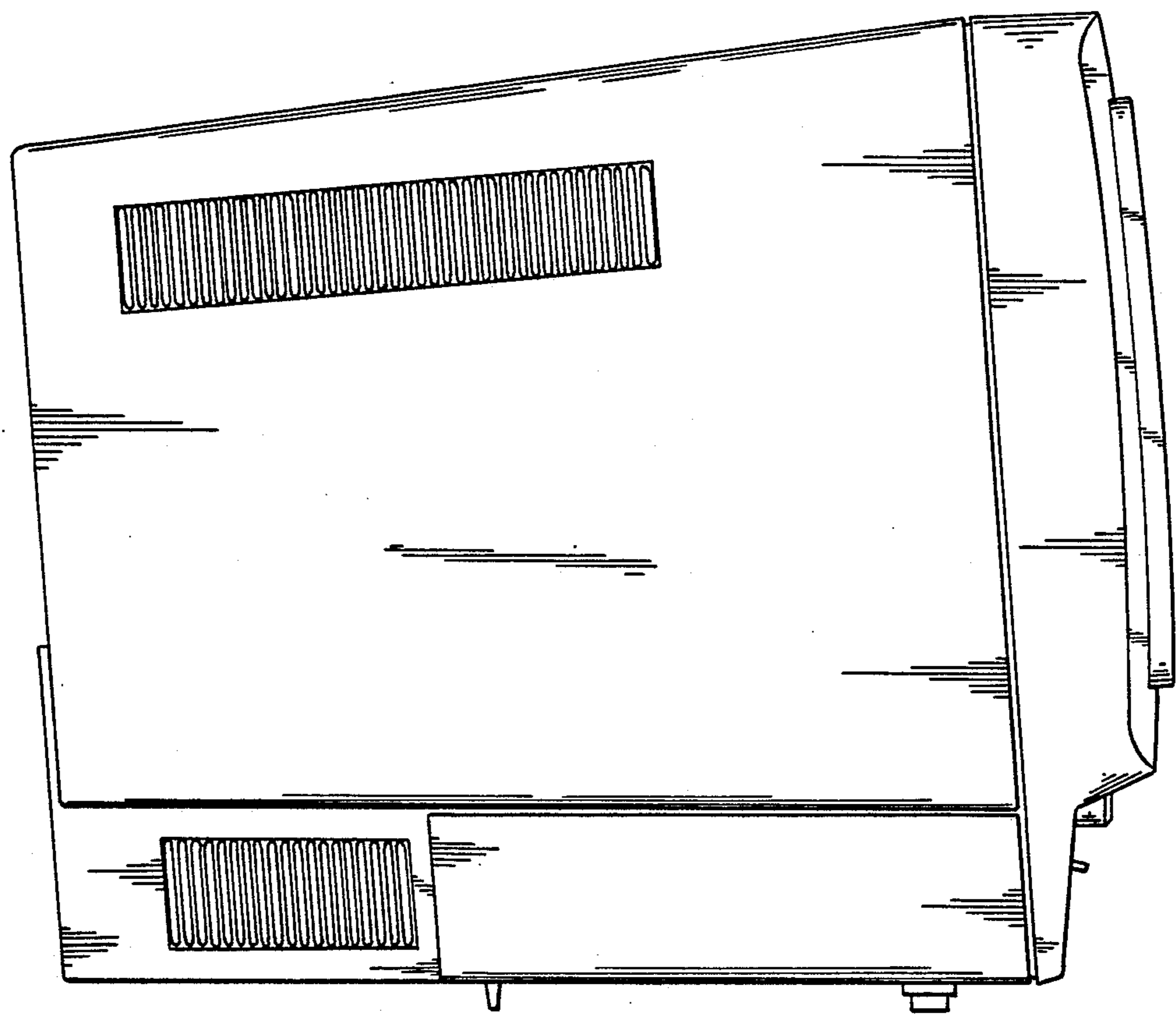


FIG. 5

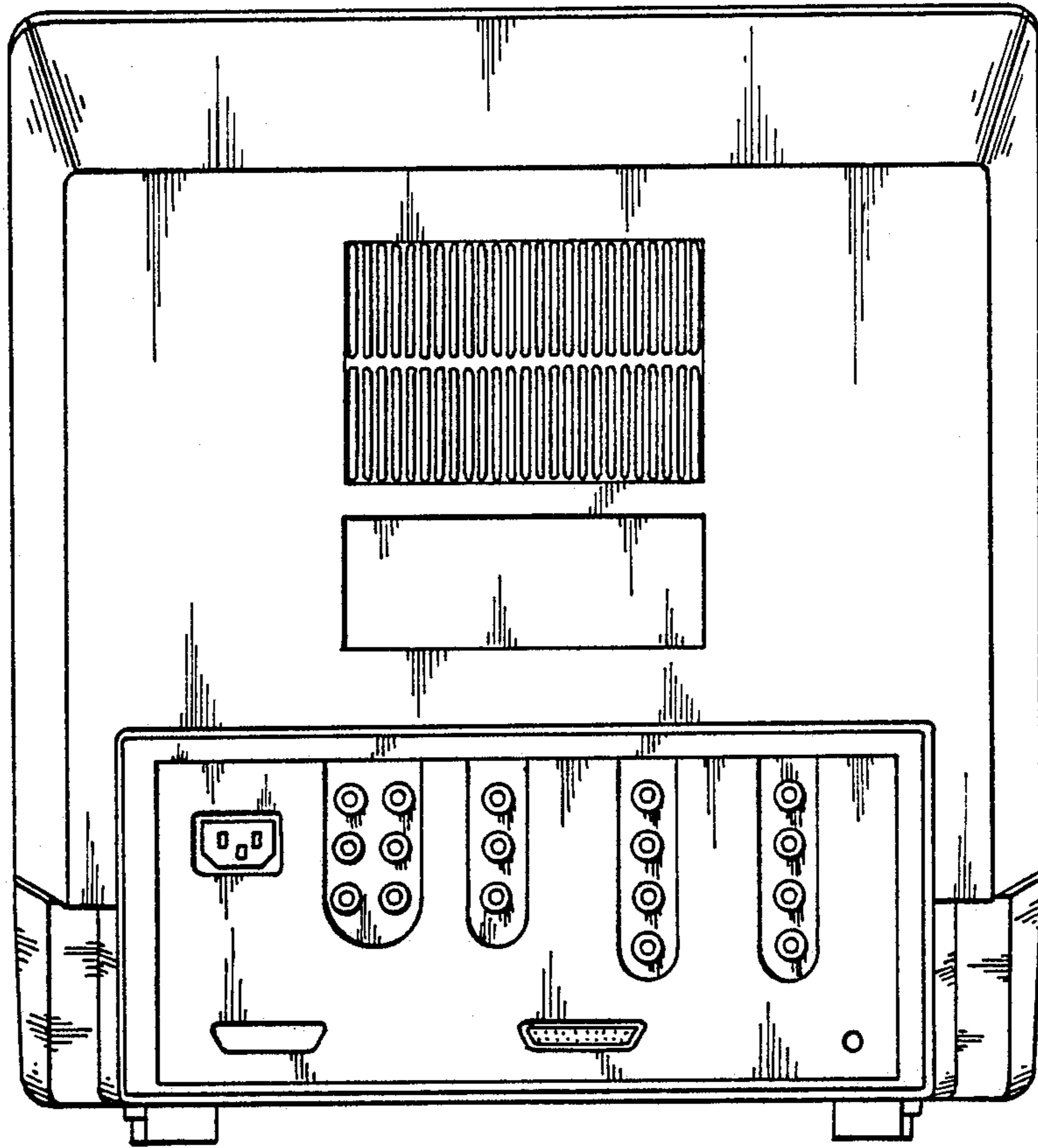


FIG. 6

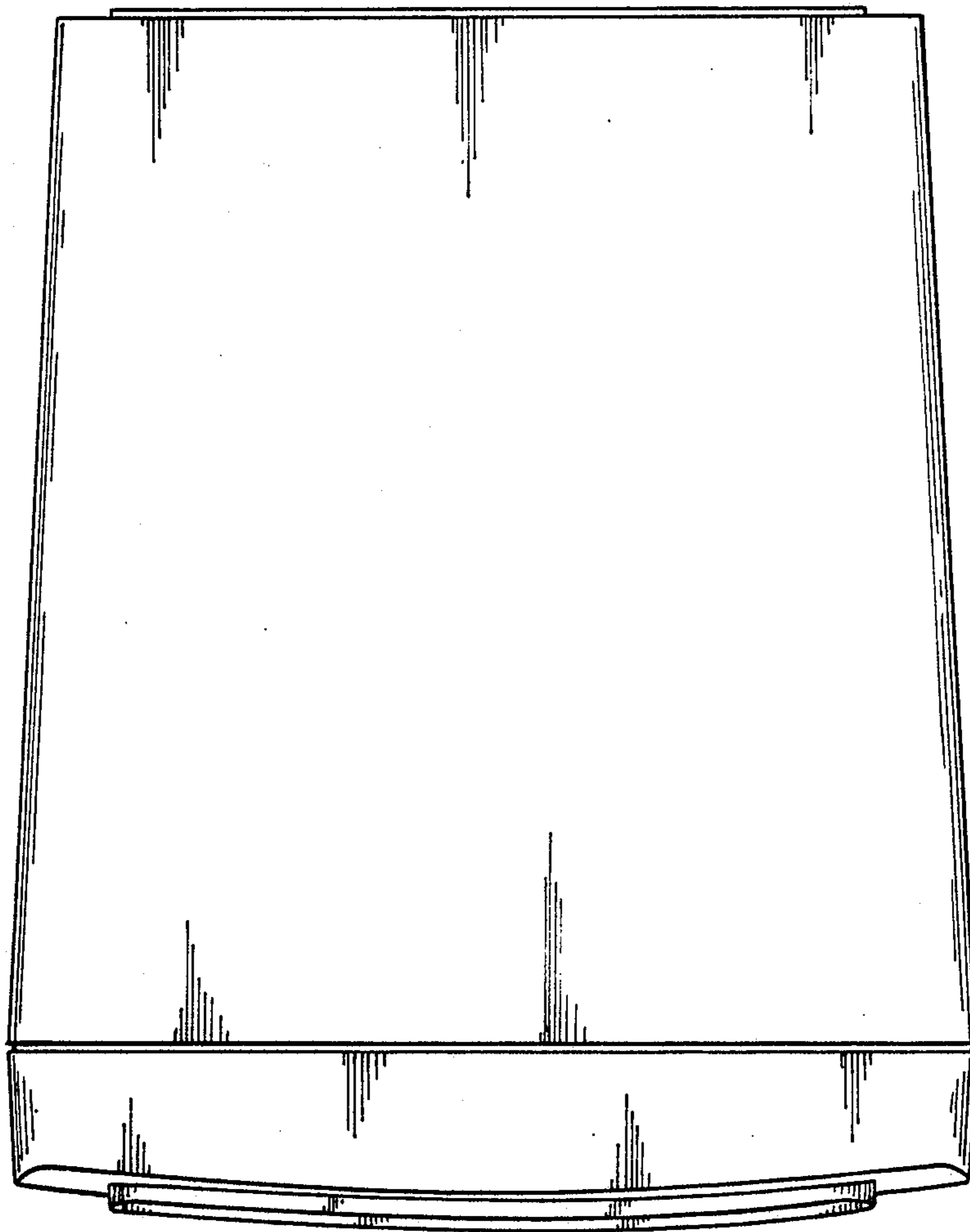


FIG. 7

