

[54] HOUSING FOR HAND HELD DATA ENTRY AND DISPLAY TERMINAL

[75] Inventors: Stephan Feger, Stuttgart; Wolfgang Fischer, Boeblingen, both of Fed. Rep. of Germany

[73] Assignee: International Business Machines Corporation, Armonk, N.Y.

[\*\*] Term: 14 Years

[21] Appl. No.: 869,120

[22] Filed: May 30, 1986

[30] Foreign Application Priority Data

Dec. 2, 1985 [DE] Fed. Rep. of Germany ..... MR6009

[52] U.S. Cl. .... D14/100

[58] Field of Search ..... D14/100, 101, 106, 107, D14/114, 115; D18/7; D13/12, 40, 41; 340/365 R, 700, 711; 364/900, 708, 709

[56] References Cited

U.S. PATENT DOCUMENTS

D. 228,137 8/1973 Chadima, Jr. .... D14/100

D. 239,287 3/1976 Ault ..... D14/100  
D. 258,956 4/1981 Chadima, Jr. .... D14/100  
D. 283,711 5/1986 Deura et al. .... D14/100  
D. 292,401 10/1987 Lee et al. .... D14/100 X  
4,005,388 1/1977 Morley et al. .... 340/365 R X

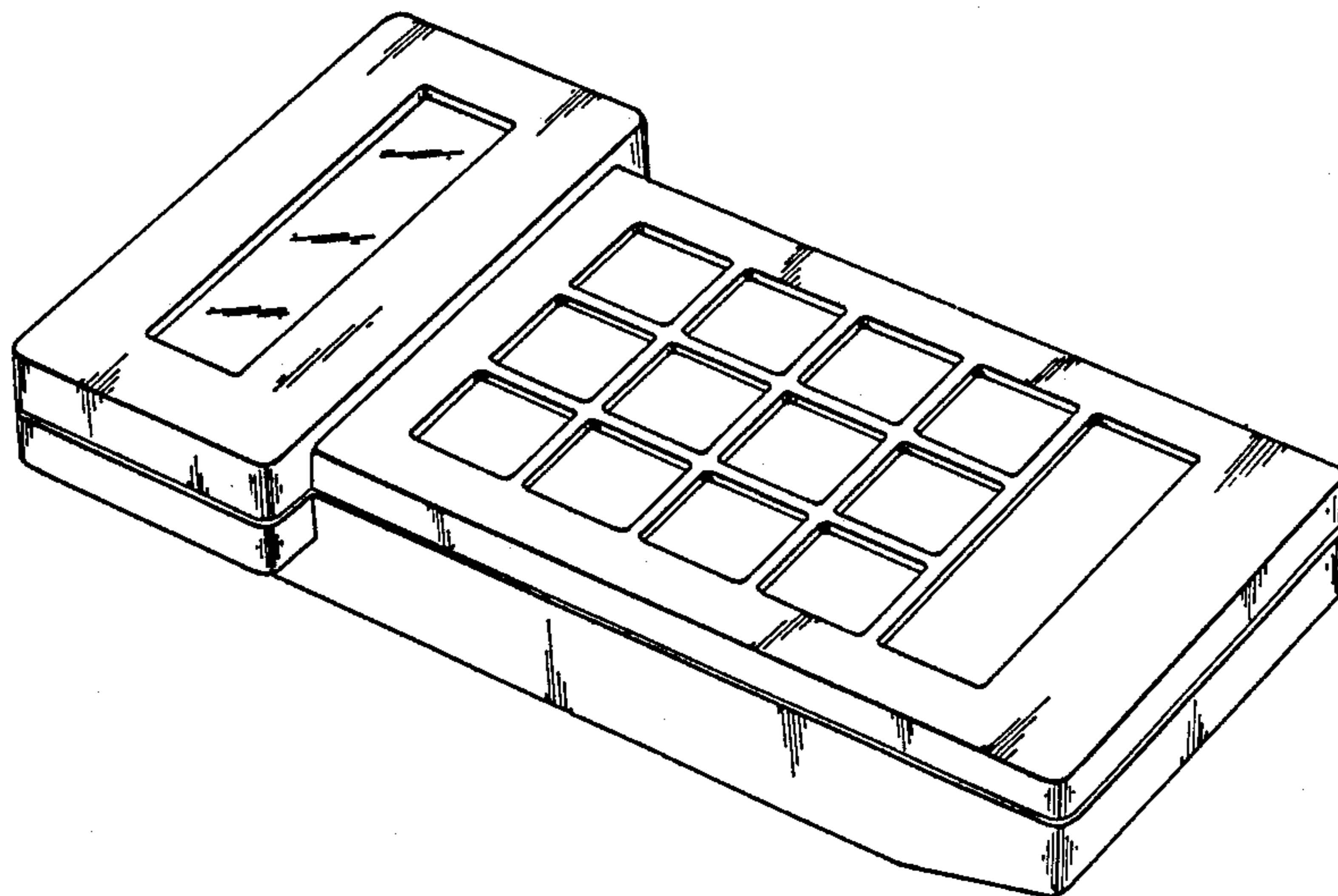
Primary Examiner—Susan J. Lucas  
Attorney, Agent, or Firm—Karl O. Hesse

[57] CLAIM

The ornamental design for a housing for hand held data entry and display terminal, as shown and described.

DESCRIPTION

FIG. 1 is a front, top, left side perspective view of the housing for hand held data entry and display terminal showing our new design;  
FIG. 2 is a left side elevational view thereof on an enlarged scale;  
FIG. 3 is a rear elevational view thereof on an enlarged scale;  
FIG. 4 is a bottom plan view thereof on an enlarged scale;  
FIG. 5 is a right side elevational view thereof on enlarged scale.



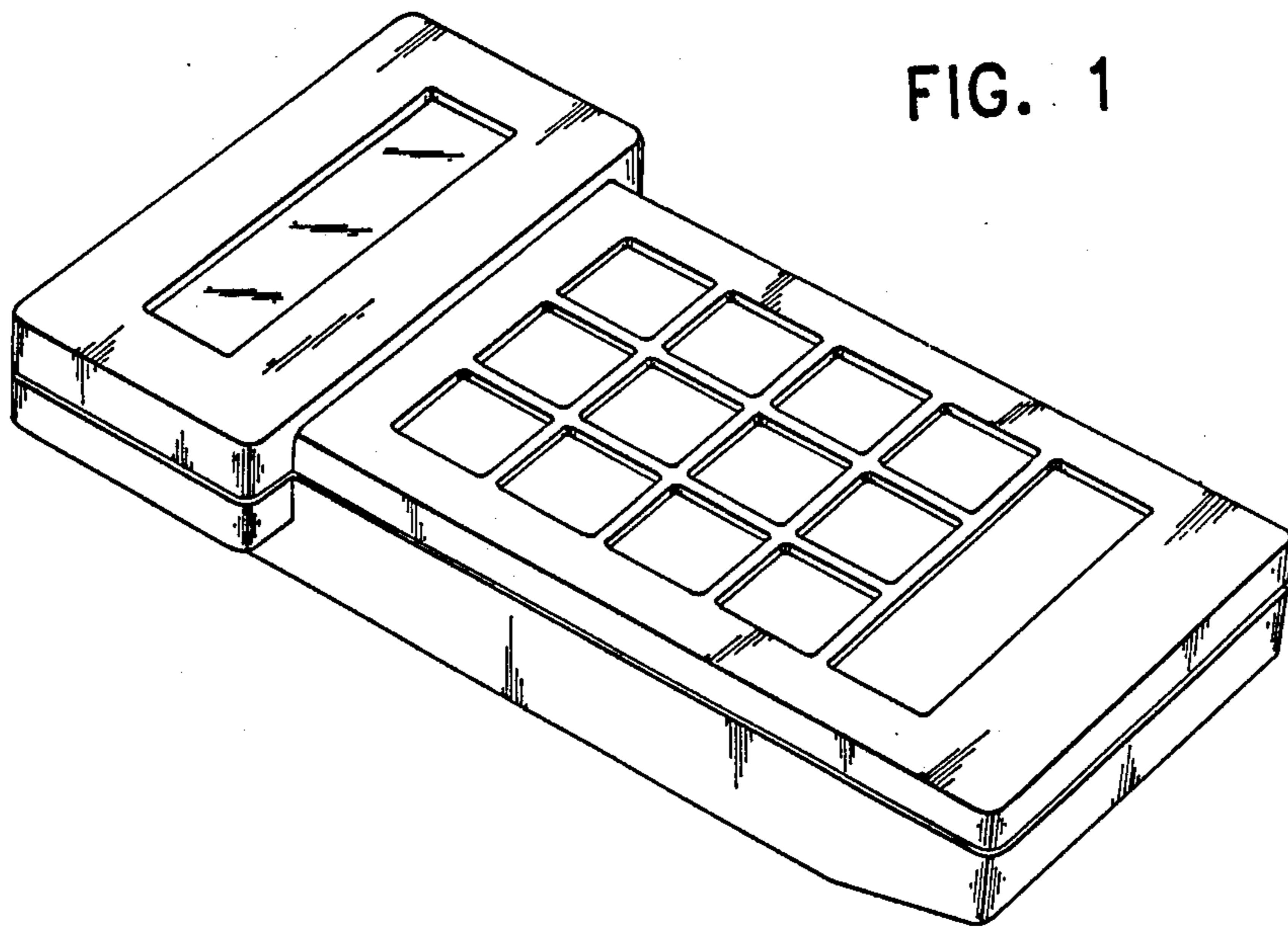


FIG. 1

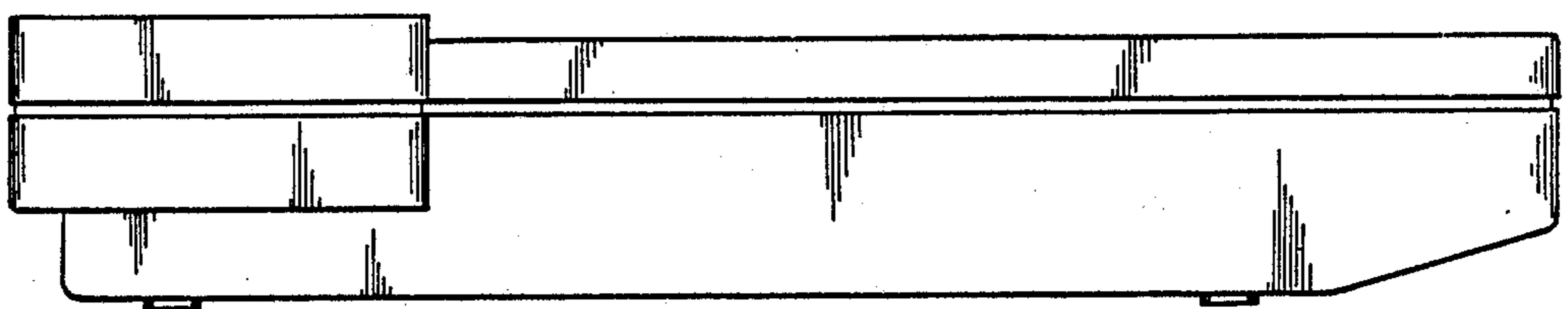


FIG. 2

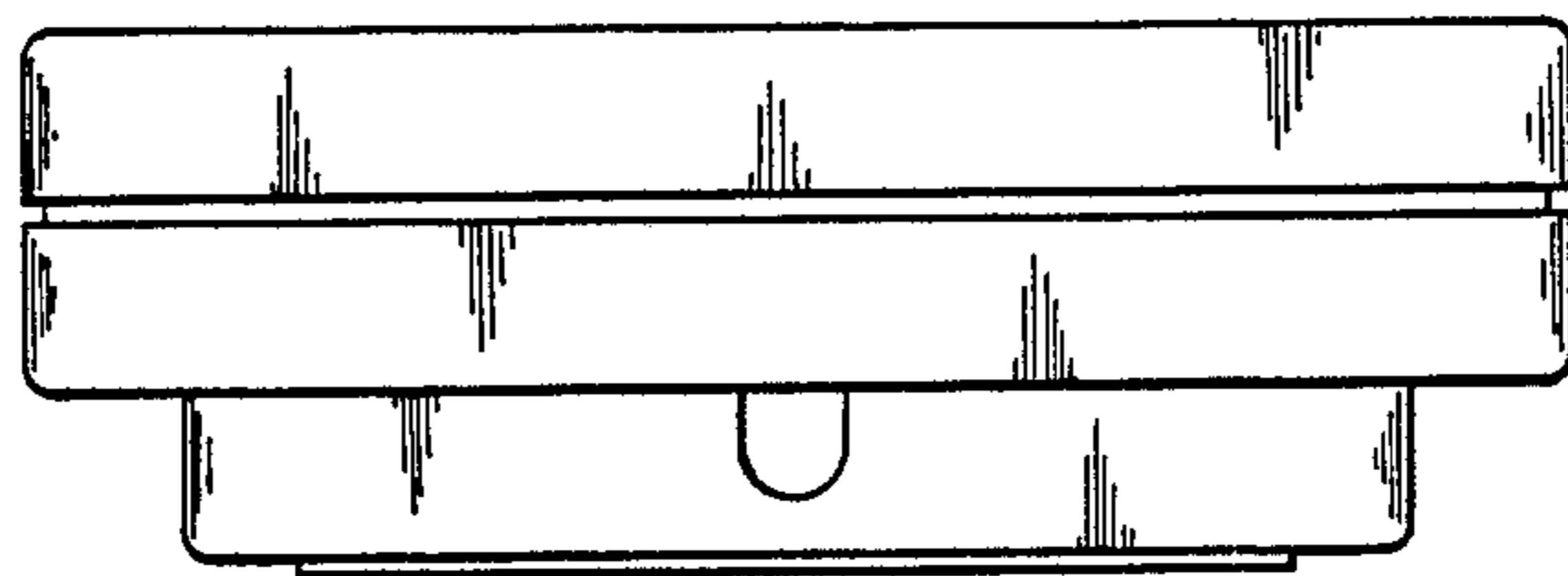


FIG. 3

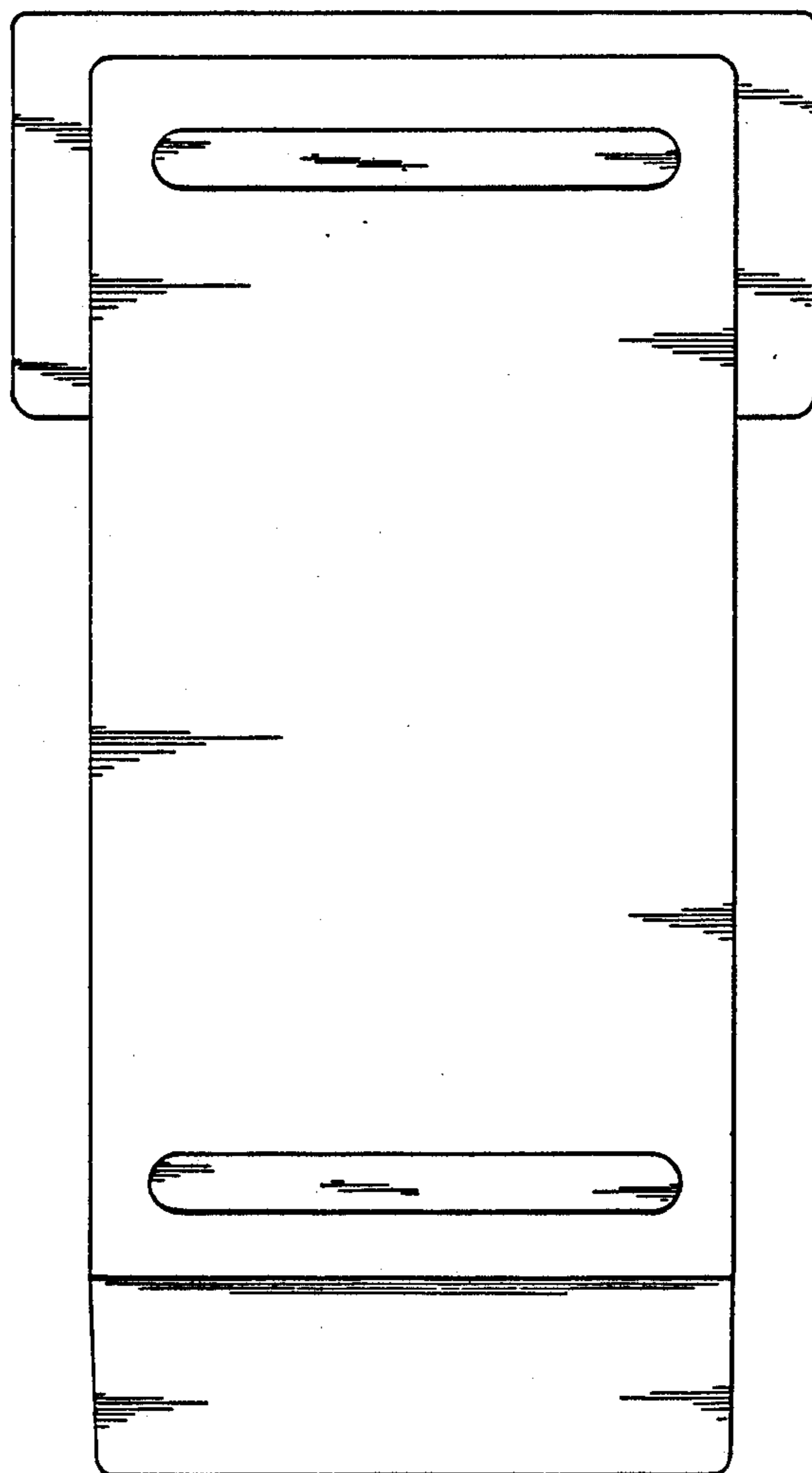


FIG. 4

FIG. 5

