

[54] **DATA ENTRY TERMINAL FOR ELECTRONIC COMPUTERS**

[75] **Inventor: Takashi Kajita, Tokyo, Japan**
[73] **Assignee: Kabushiki Kaisha Toshiba, Kawasaki, Japan**
[**] **Term: 14 Years**
[21] **Appl. No.: 793,221**
[22] **Filed: Oct. 31, 1985**

[30] **Foreign Application Priority Data**

May 17, 1985 [JP] Japan 60-20131
[52] **U.S. Cl. D14/100; D18/7**
[58] **Field of Search D14/100, 106, 107, 114; D18/7; 364/708; 340/365 R, 365 VL, 700, 711; D13/12, 32, 38**

[56] **References Cited**

U.S. PATENT DOCUMENTS

D. 247,623 3/1978 Pulvers D14/100
D. 258,956 4/1981 Chadima, Jr. D14/100
D. 275,752 10/1984 Mahan D13/38 X
4,090,247 5/1978 Martin D14/100 X

OTHER PUBLICATIONS

Computer Design, 7-1984, p. 46, Shugart Portable Computer-Floppy Disk Drive.
The Dempa Sinbun dated Sep. 1, 1984, Japan Mitsubishi's Hand Held Terminal HT-1000, Obtained May 12, 1983, Japan.
Oki'S Handy Terminal-Portable Memo OPM 710 Catalogue, Obtained 2/13/84 Japan.

Primary Examiner—Susan J. Lucas
Attorney, Agent, or Firm—Banner, Birch, McKie & Beckett

[57] **CLAIM**

The ornamental design for a data entry terminal for electronic computers, as shown.

DESCRIPTION

FIG. 1 is a top, front and right side perspective view of a data entry terminal for electronic computers showing my new design;
FIG. 2 is a right side elevational view thereof;
FIG. 3 is a left side elevational view thereof;
FIG. 4 is an inverted front elevational view thereof;
FIG. 5 is an inverted rear elevational view thereof;
FIG. 6 is a bottom plan view thereof, and
FIG. 7 is a top plan view thereof.

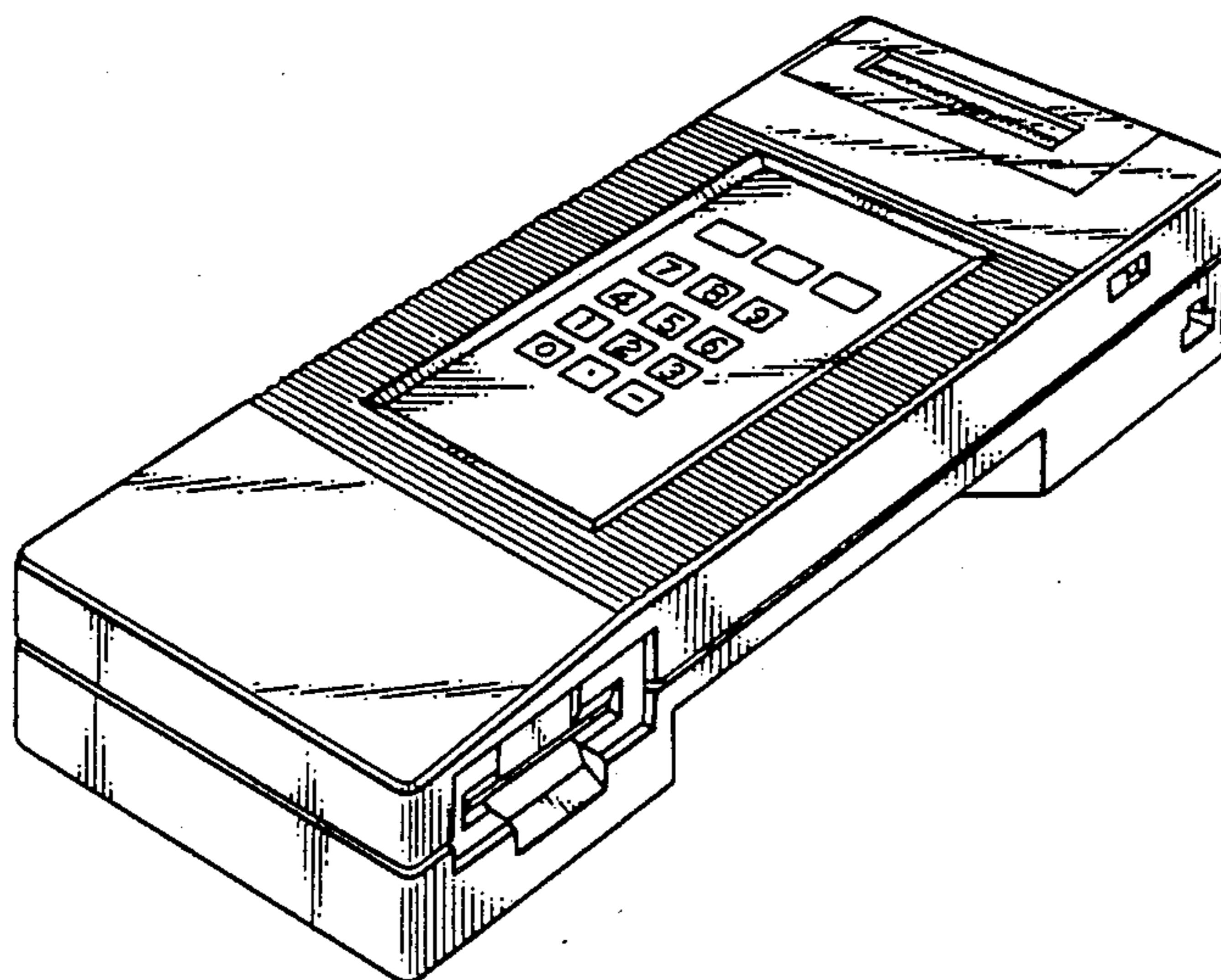


FIG. 1

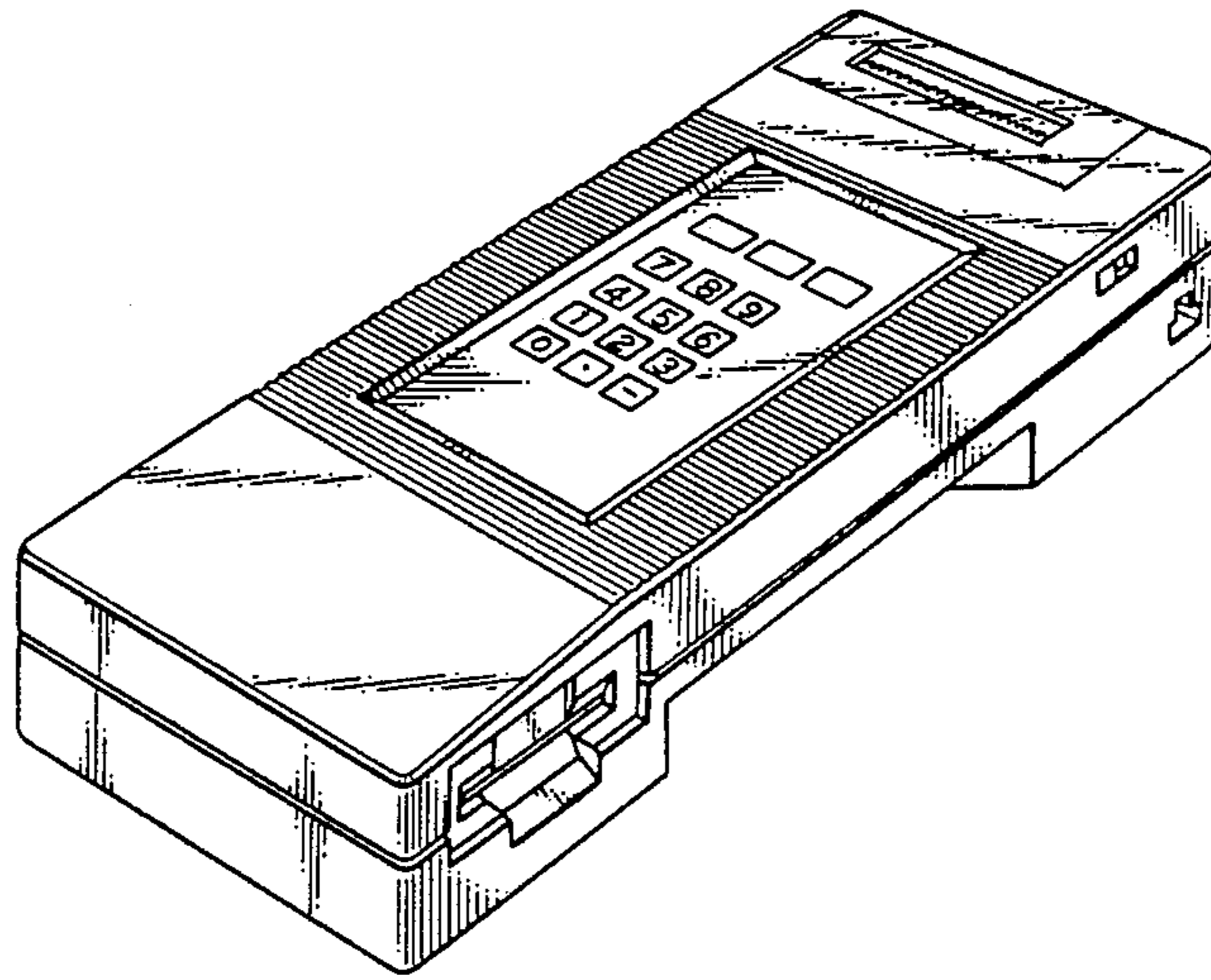


FIG. 2

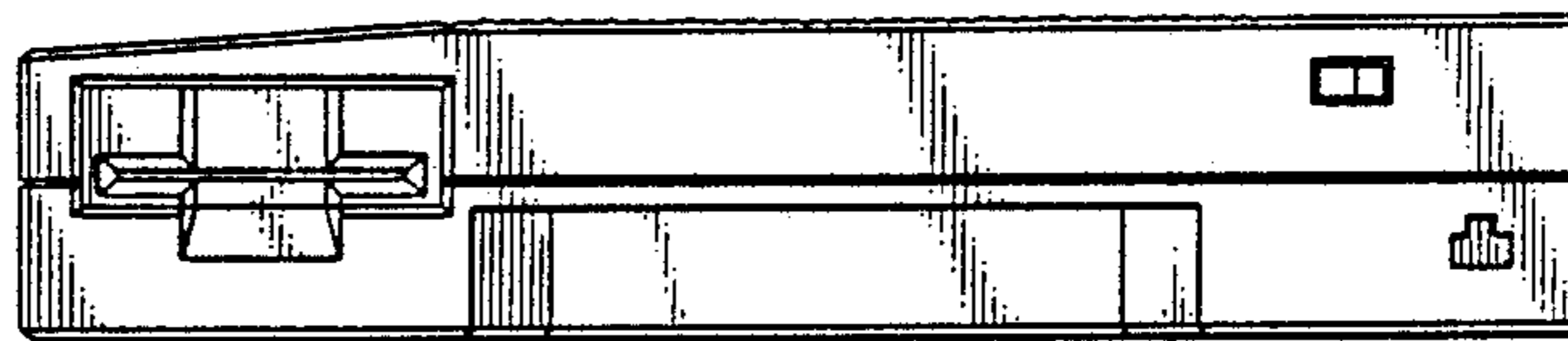


FIG. 3

