

[54] HOUSING PANEL FOR A PORTABLE CELLULAR RADIO TELEPHONE OR SIMILAR ARTICLE

D. 289,044 1/1987 Watanake ..... D14/52 X  
D. 294,257 2/1988 Nagele ..... D14/63  
D. 295,170 4/1988 Wolstone ..... 214/59 X  
D. 295,627 5/1988 Nagele ..... D14/60 X

[75] Inventors: Terrance N. Taylor, Cary; John P. Murzanski, Schaumburg, both of Ill.

Primary Examiner—Horace B. Fay, Jr.  
Attorney, Agent, or Firm—Donald B. Southard;  
Anthony J. Sarli, Jr.

[73] Assignee: Motorola, Inc., Schaumburg, Ill.

[\*\*] Term: 14 Years

[57] CLAIM

[21] Appl. No.: 9,406

The ornamental design for a housing panel for a portable cellular radio telephone or similar article, as shown and described.

[22] Filed: Jan. 30, 1987

[52] U.S. Cl. .... D14/138; D14/257

[58] Field of Search ..... D14/52, 53, 63, 64, D14/60; 379/419, 428, 440, 433, 434; 455/89, 90

DESCRIPTION

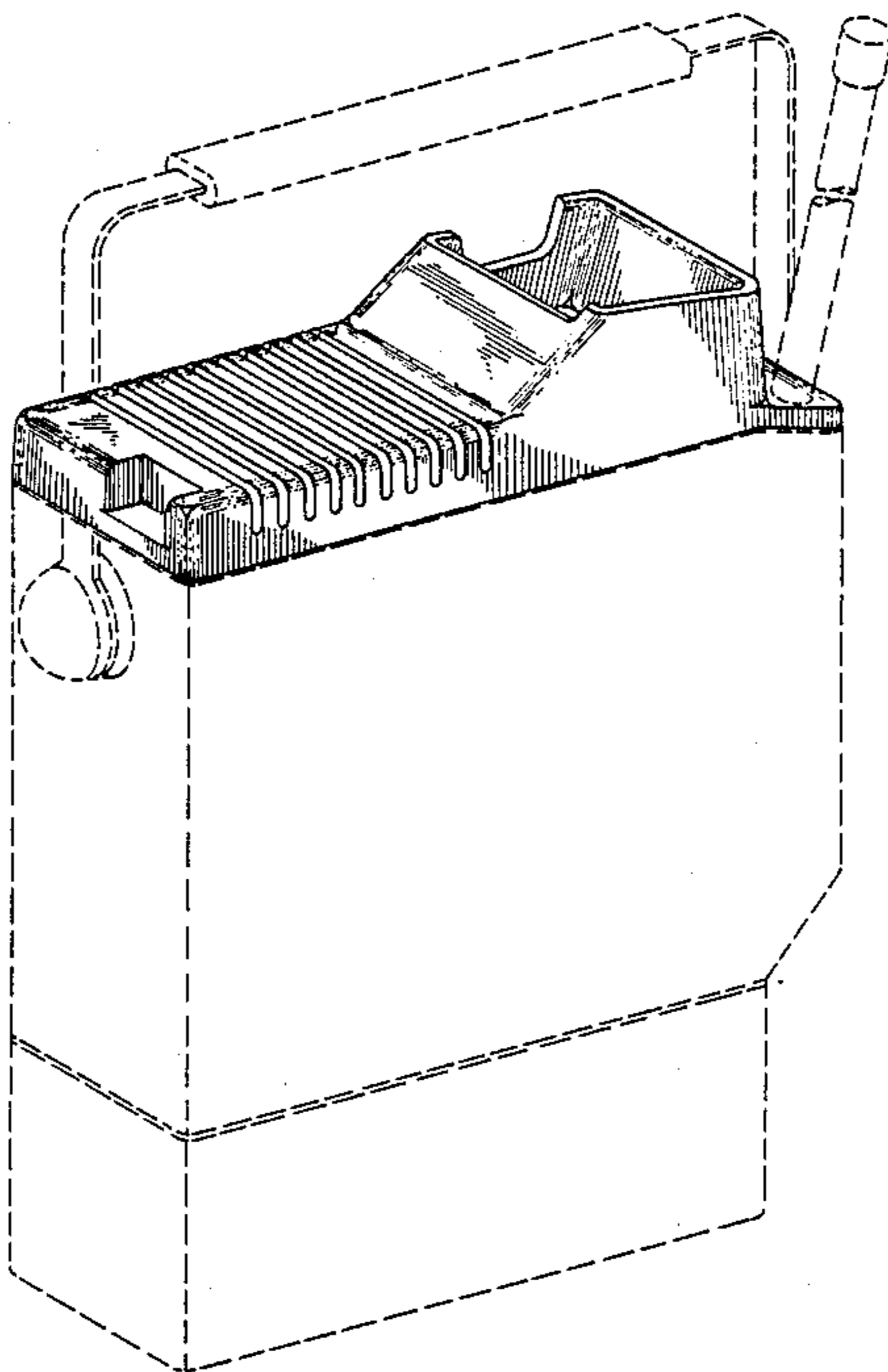
FIG. 1 is a front, top and right side perspective view of a housing panel for a portable cellular radio telephone or similar article showing our new design; FIG. 2 is a rear elevational view thereof; FIG. 3 is a left side elevational view thereof.

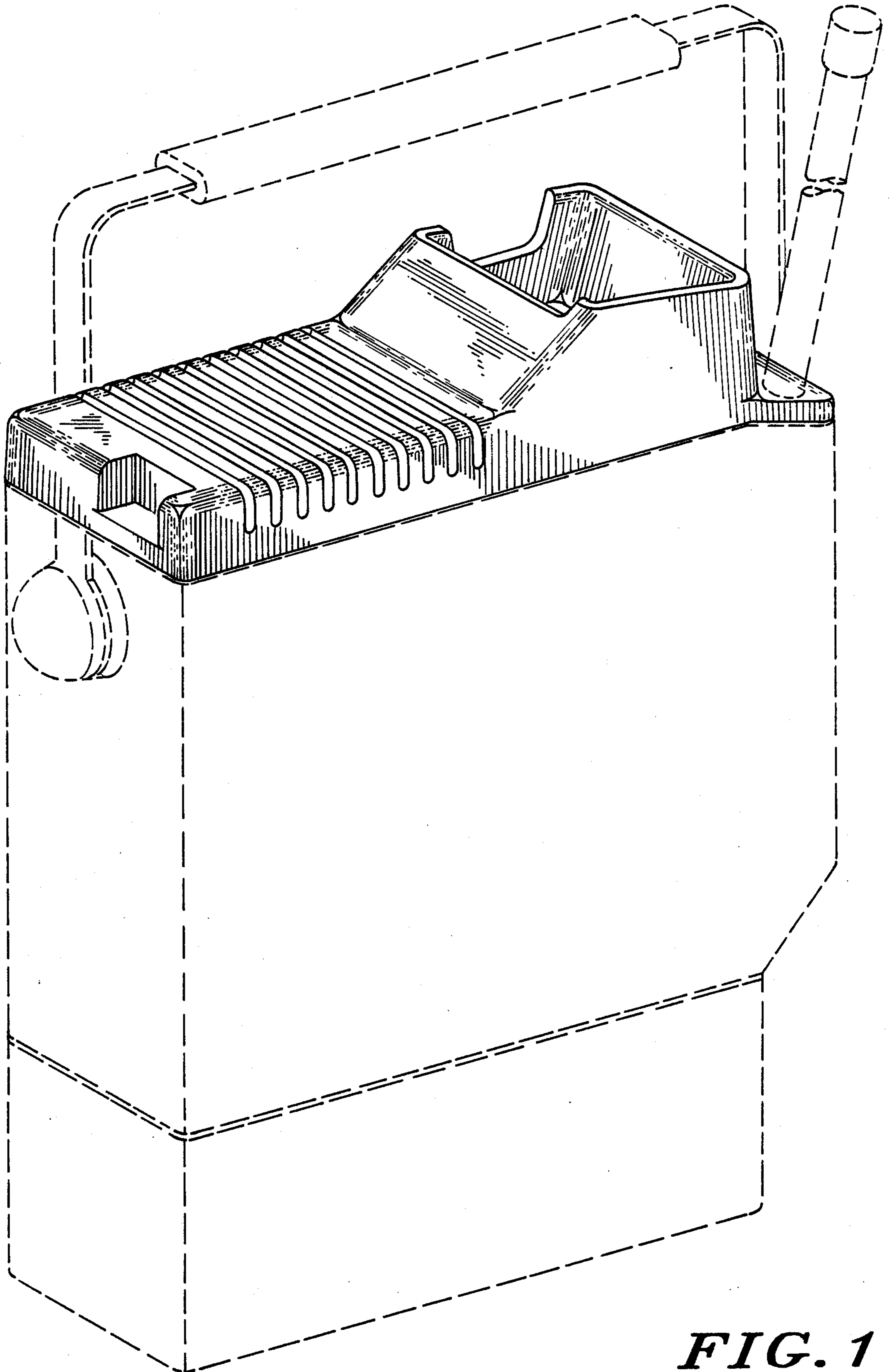
The broken line showing of a casing outline and antenna is for illustrative purposes only and forms no part of the claimed design.

[56] References Cited

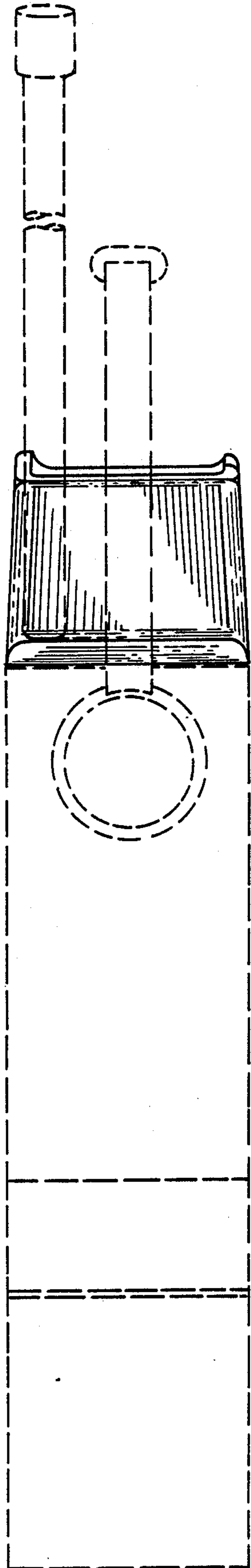
U.S. PATENT DOCUMENTS

D. 285,439 9/1986 Nagele ..... D14/52 X  
D. 286,635 11/1986 Ynen ..... D14/52 X  
D. 288,317 2/1987 Ynen ..... D14/52





**FIG. 1**



**FIG. 2**

*FIG. 3*

