

[54] PORTABLE RADIO BATTERY OR SIMILAR ARTICLE

[75] Inventors: Richard J. Toth, Boca Raton, Fla.; James W. Brinkerhoff, Mount Clemens, Mich.; Craig F. Siddoway, Ft. Lauderdale, Fla.; Bruce A. Claxton, Coral Springs, Fla.

[73] Assignee: Motorola, Inc., Schaumburg, Ill.

[**] Term: 14 Years

[21] Appl. No.: 902,334

[22] Filed: Aug. 29, 1986

[52] U.S. Cl. D13/8; D14/217

[58] Field of Search D13/4, 5, 8-10; D14/65, 76; D26/39, 40; 429/99, 100, 123, 151, 153, 159, 163; 307/150; 310/50; 320/2-7

[56] References Cited

U.S. PATENT DOCUMENTS

| | | | | |
|------------|--------|----------------|-------|----------|
| D. 238,584 | 1/1976 | Goldman | | D26/14 K |
| D. 277,747 | 2/1985 | Toth | | D13/8 |
| D. 280,620 | 9/1985 | Toth et al. | | D14/70 |
| D. 280,717 | 9/1985 | Scheid et al. | | D13/8 |
| D. 283,888 | 5/1986 | Claxton et al. | | D13/8 |

| | | | | |
|-----------|---------|-------------------|-------|---------|
| 2,632,784 | 3/1953 | Marsal et al. | | 429/159 |
| 4,205,121 | 5/1980 | Naitoh | | 429/99 |
| 4,288,733 | 9/1981 | Bilanceri et al. | | 429/163 |
| 4,391,883 | 7/1983 | Williamson et al. | | 429/100 |
| 4,714,439 | 12/1987 | Marabotto et al. | | 429/123 |

Primary Examiner—Wallace R. Burke
Assistant Examiner—Clare E. Heflin
Attorney, Agent, or Firm—Daniel K. Nichols; Anthony J. Sarli

[57] CLAIM

The ornamental design for a portable radio battery or similar article, as shown and described.

DESCRIPTION

FIG. 1 is a front, top and right side perspective view of a portable radio battery or similar article showing our new design.

FIG. 2 is a left side elevational view thereof;

FIG. 3 is a rear elevational view thereof;

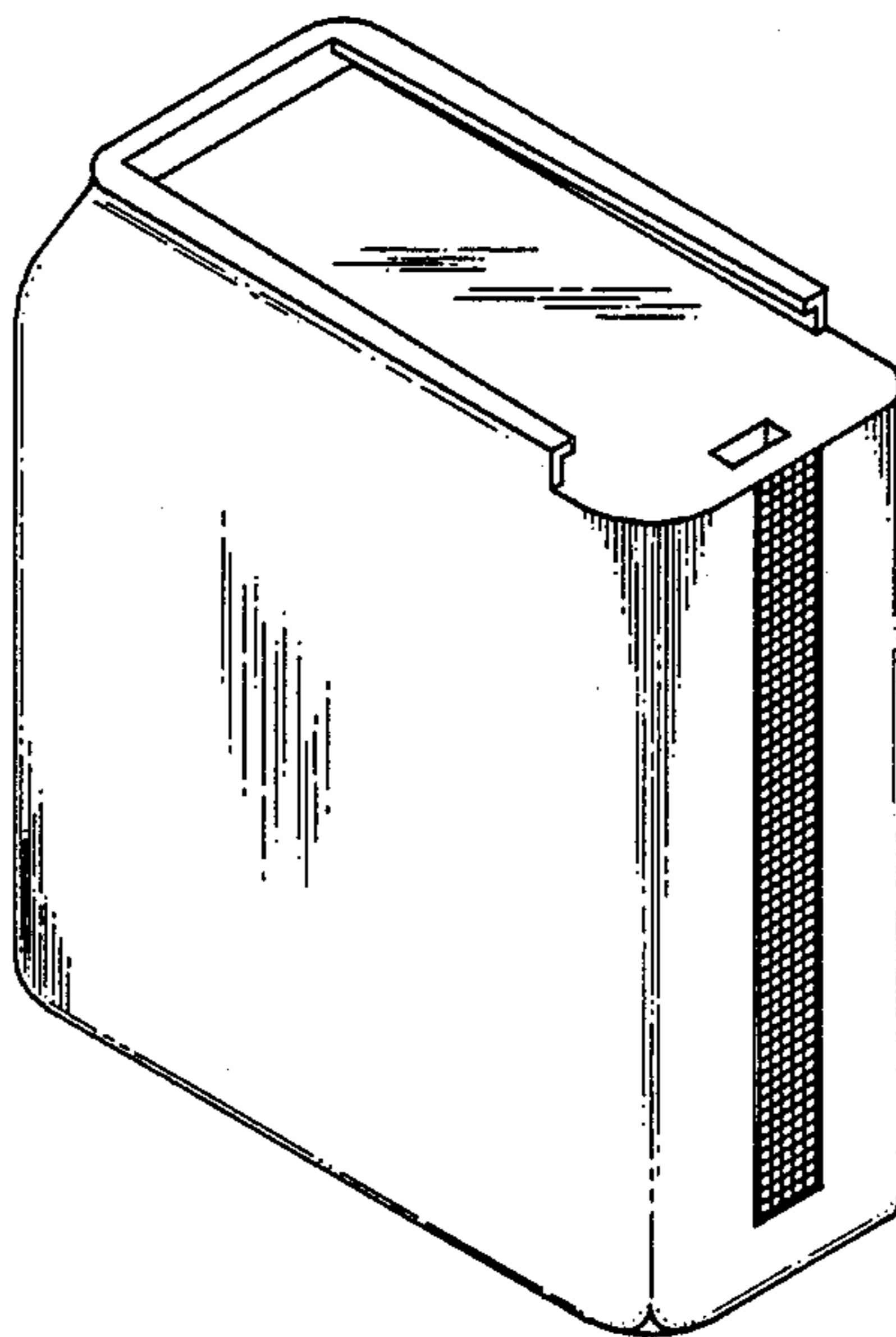
FIG. 4 is a bottom plan view thereof;

FIG. 5 is a front, top, and right side perspective view of an alternate embodiment of a portable radio battery or similar article showing our new design.

FIG. 6 is a left side elevational view thereof;

FIG. 7 is a rear elevational view thereof;

FIG. 8 is a bottom plan view thereof.



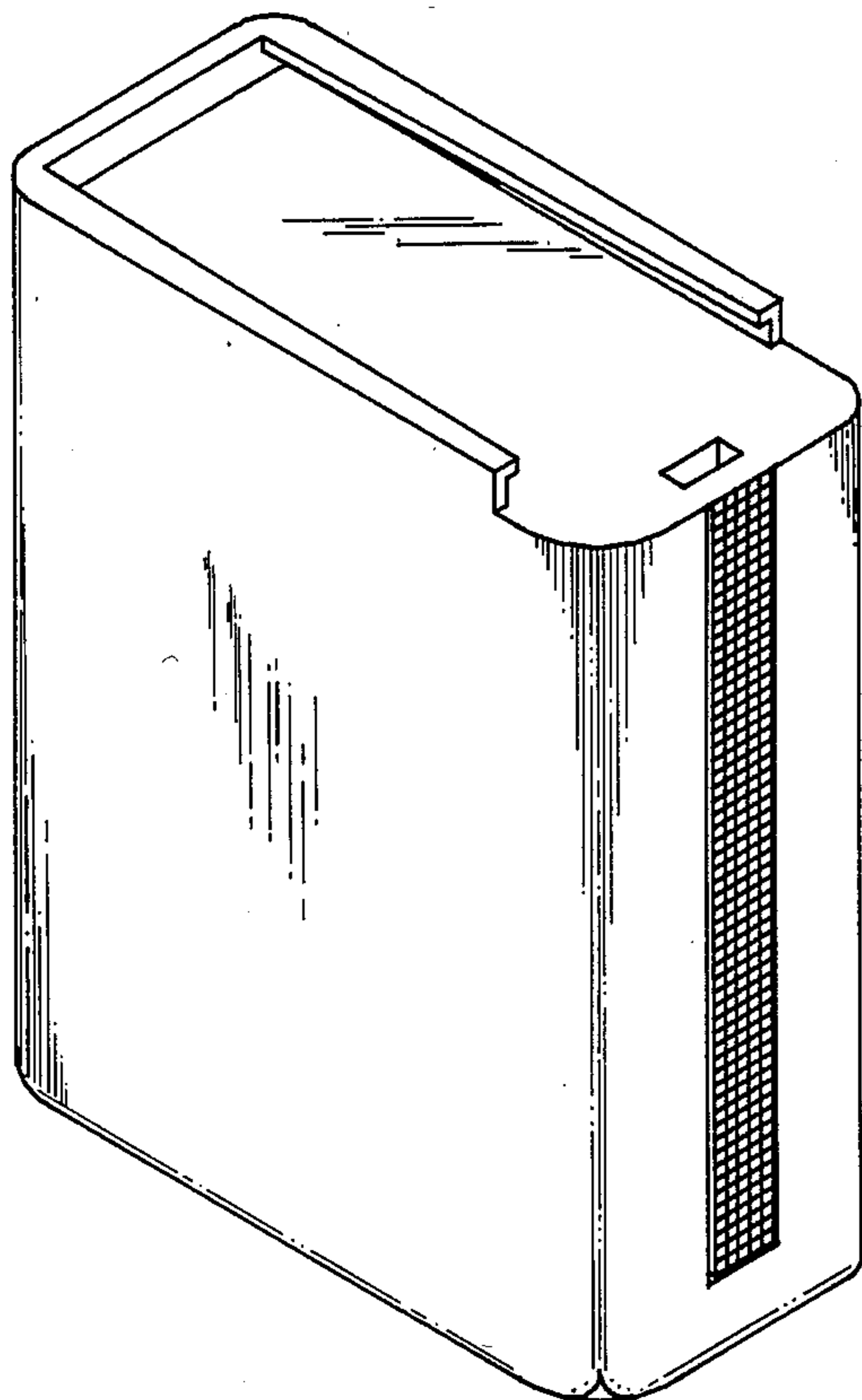


FIG. 1

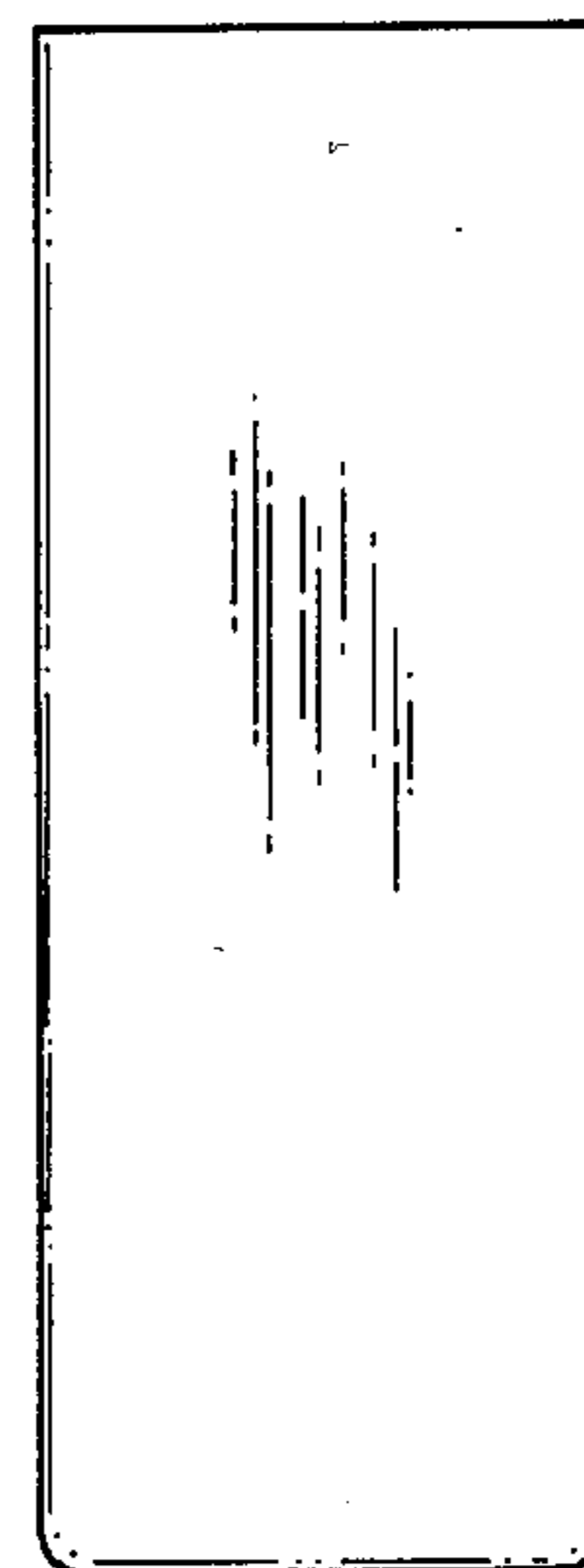


FIG. 2

FIG. 3

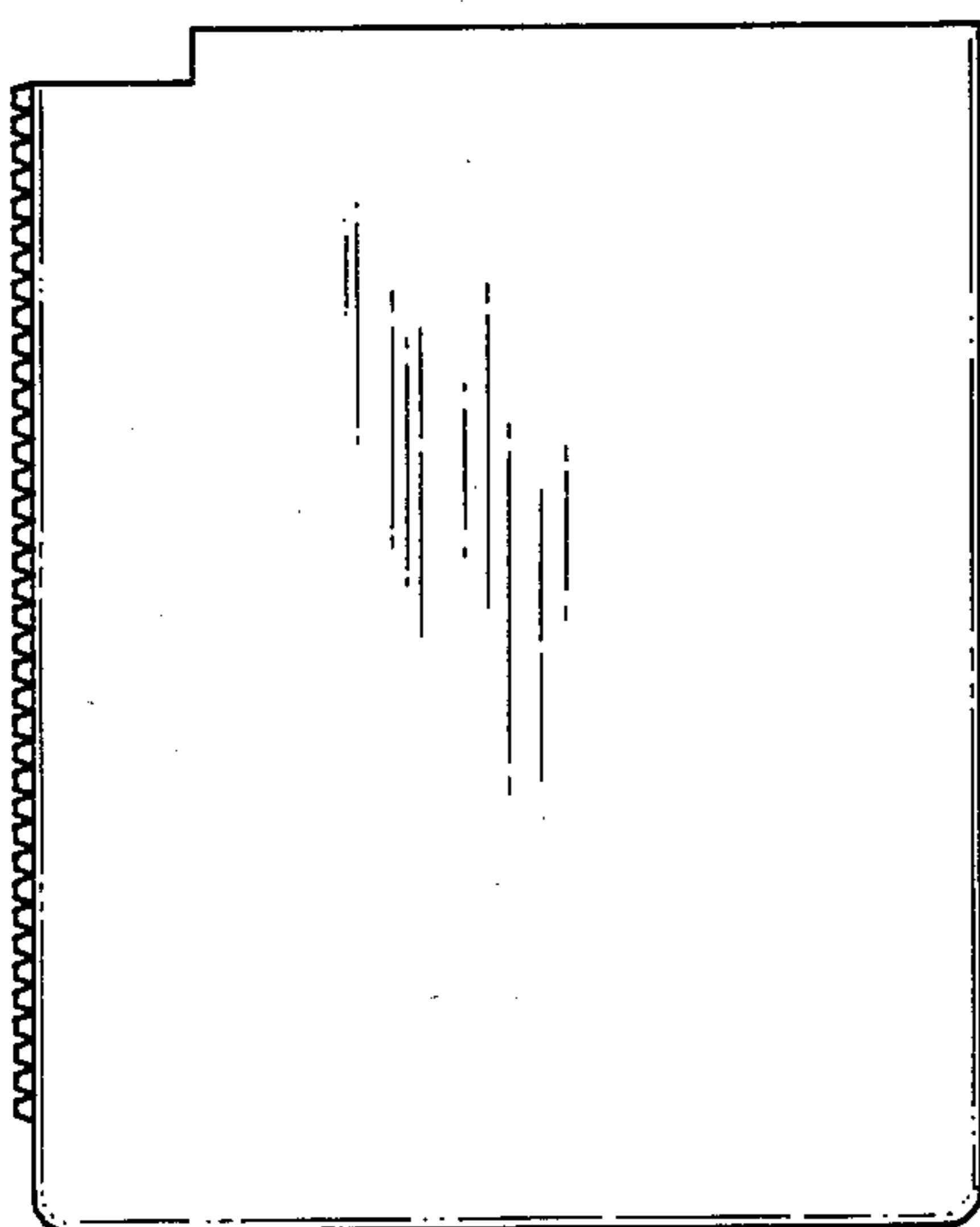
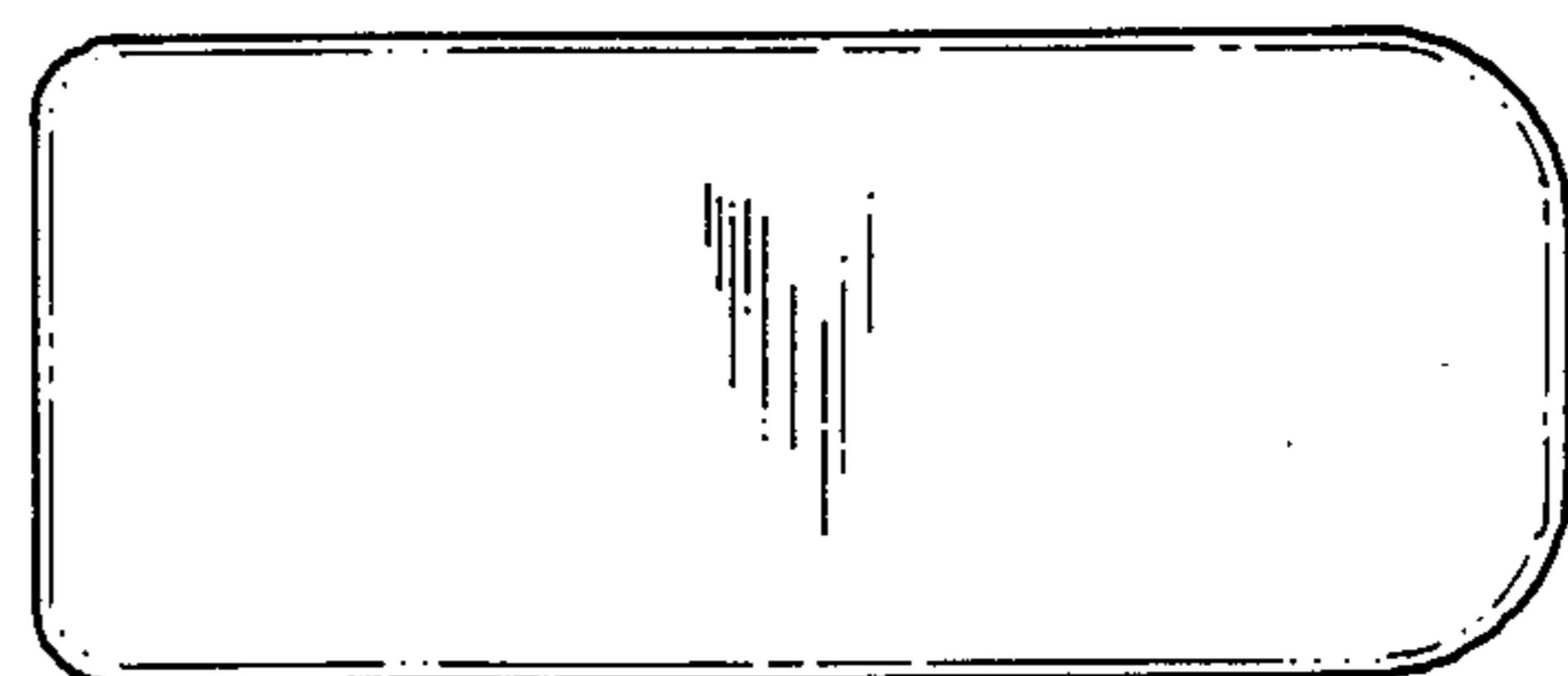


FIG. 4



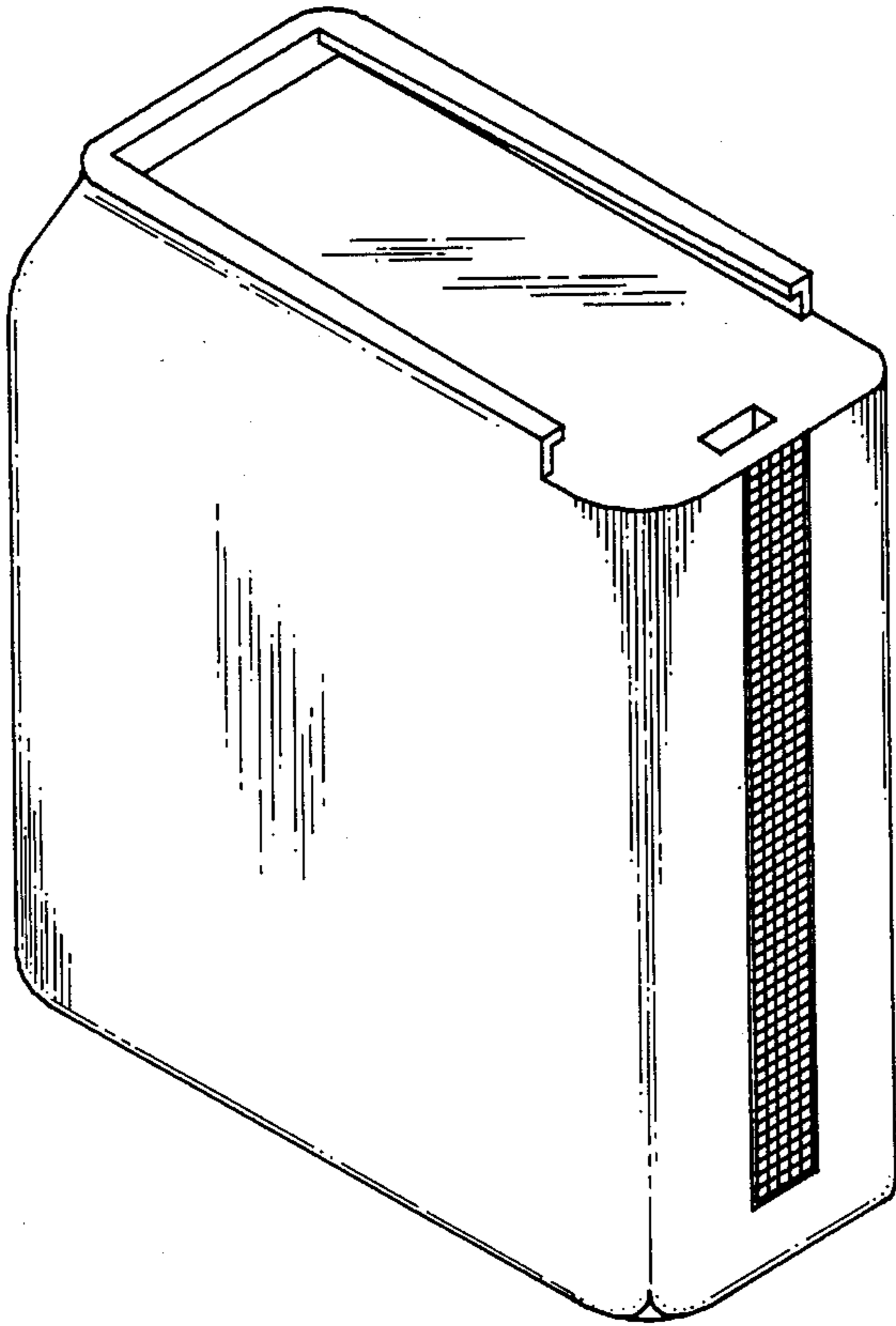


FIG. 5

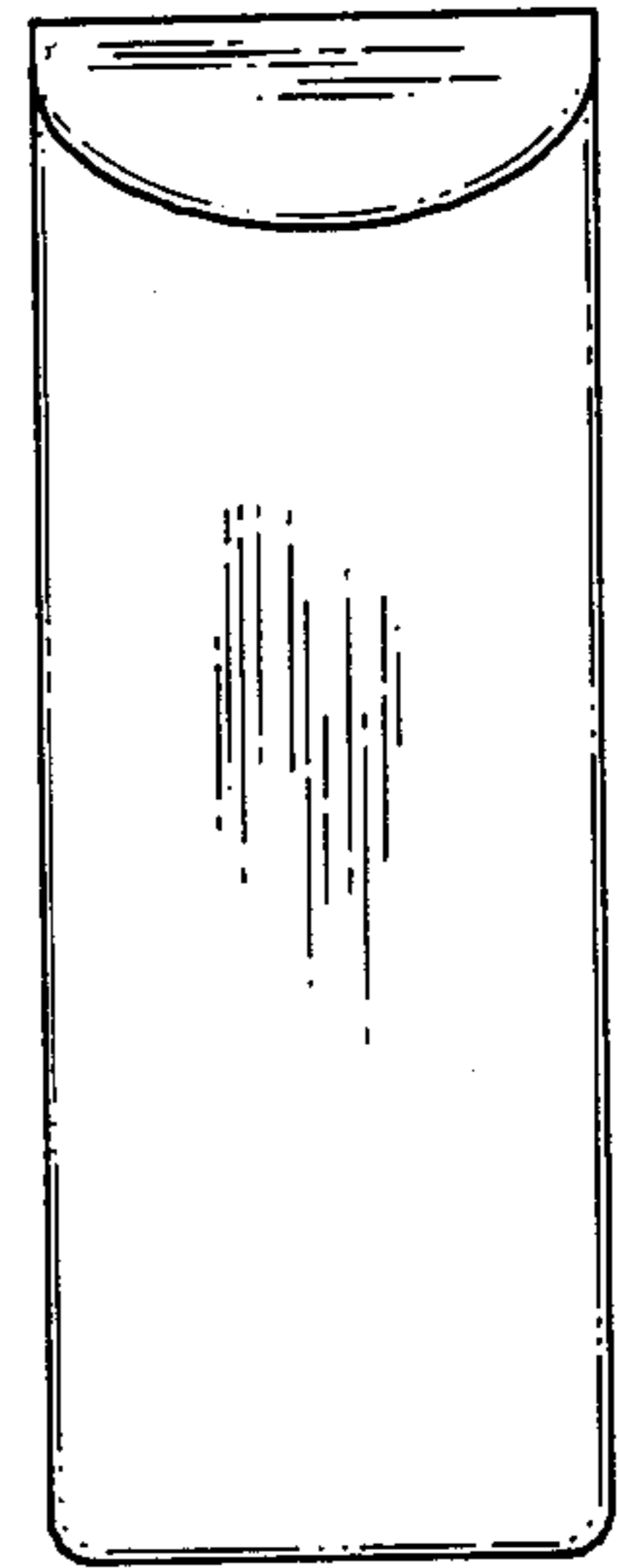


FIG. 6

FIG. 7

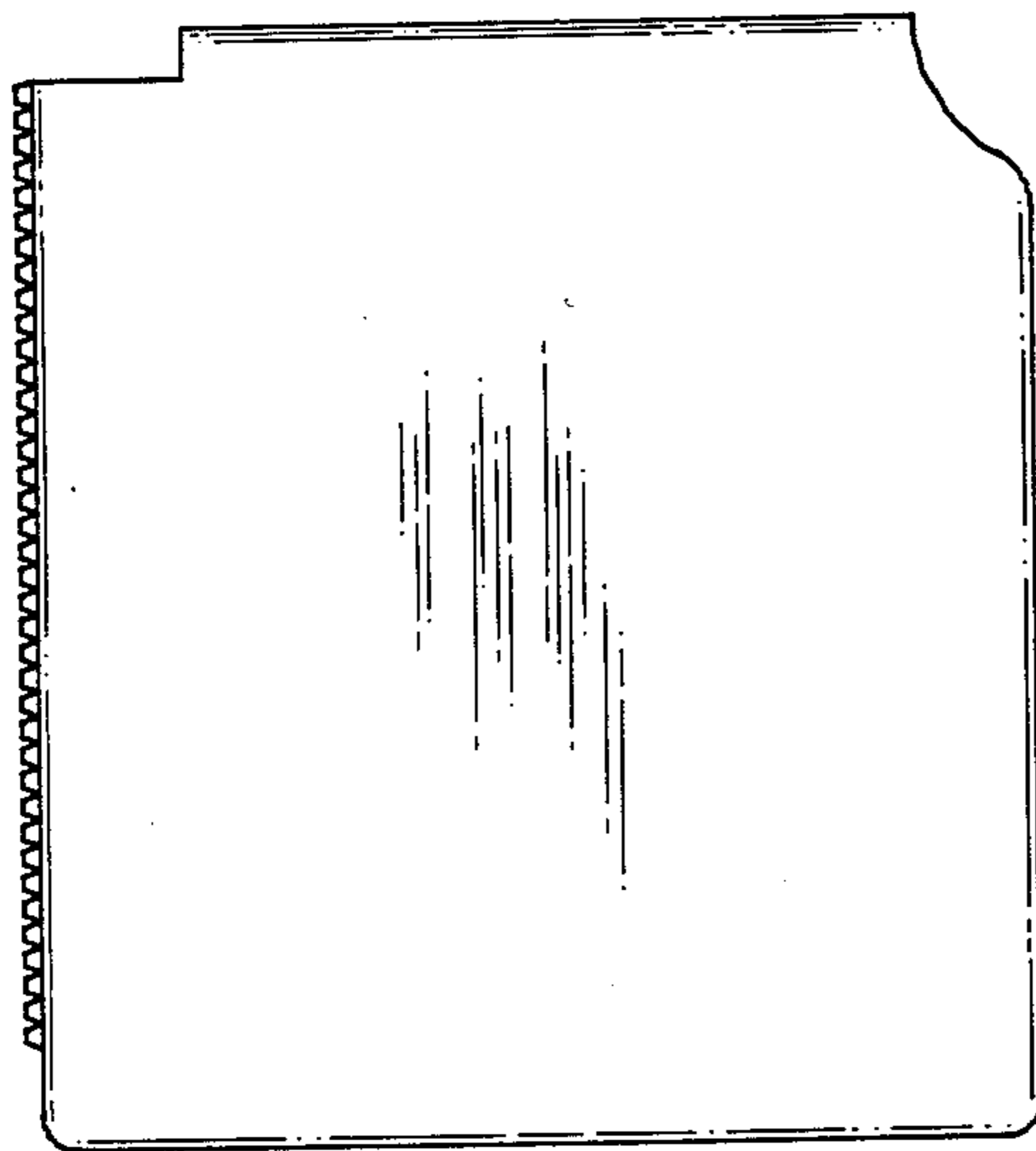


FIG. 8

