

[54] **PEDAL CRANK FOR A BICYCLE**

[75] **Inventor: Lucio Borromeo, Turin, Italy**

[73] **Assignee: 3 T S.p.A., Italy**

[**] **Term: 14 Years**

[21] **Appl. No.: 824,344**

[22] **Filed: Jan. 23, 1986**

[30] **Foreign Application Priority Data**

Jul. 26, 1985 [IT] Italy 53639/85[U]

[52] **U.S. Cl. D12/123**

[58] **Field of Search D12/123; 74/594.1**

[56] **References Cited**

FOREIGN PATENT DOCUMENTS

843684 4/1939 France 74/594.1

Primary Examiner—James M. Gandy
Attorney, Agent, or Firm—Sughrue, Mion, Zinn,
Macpeak & Seas

[57] **CLAIM**

The ornamental design for a pedal crank for a bicycle, as shown and described.

DESCRIPTION

FIG. 1 is a front elevational view of a pedal crank for a bicycle showing my new design;

FIG. 2 is a top plan view thereof it being understood that the bottom is flat and unornamented;

FIG. 3 is a side elevation view thereof, the opposite side being a mirror image of that shown;

FIG. 4 is a perspective view thereof; and

FIG. 5 is a rear elevation view thereof in inverted condition.

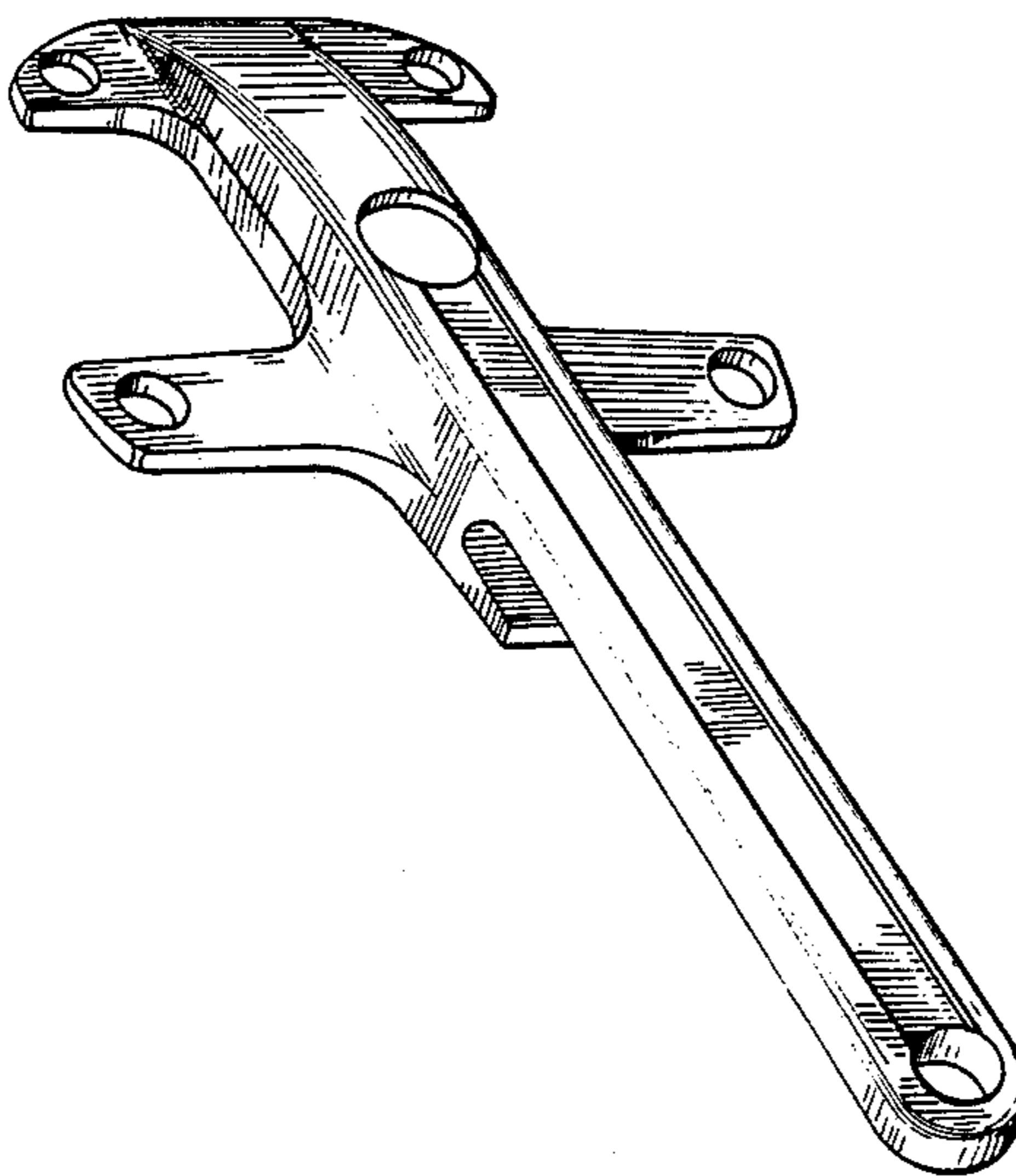


FIG. 1

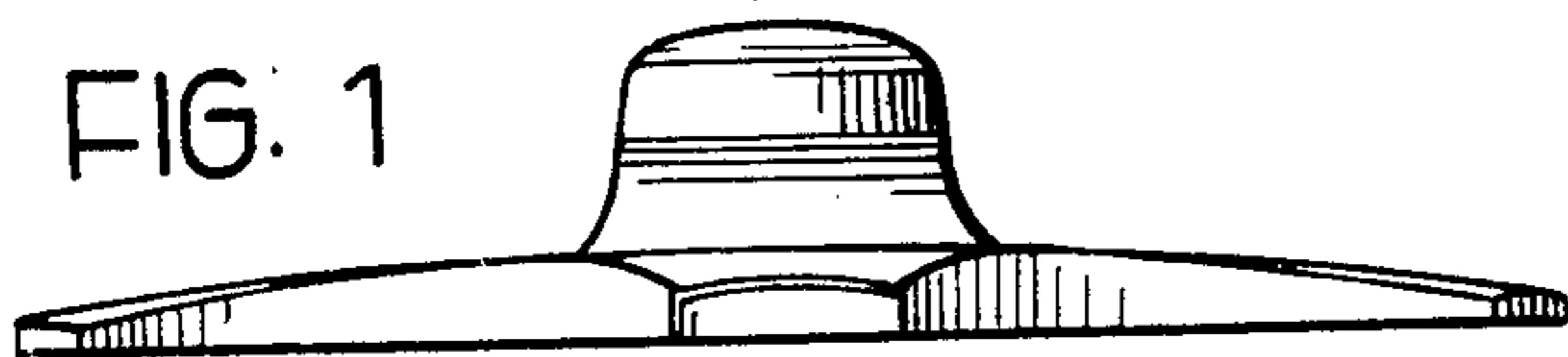


FIG. 2

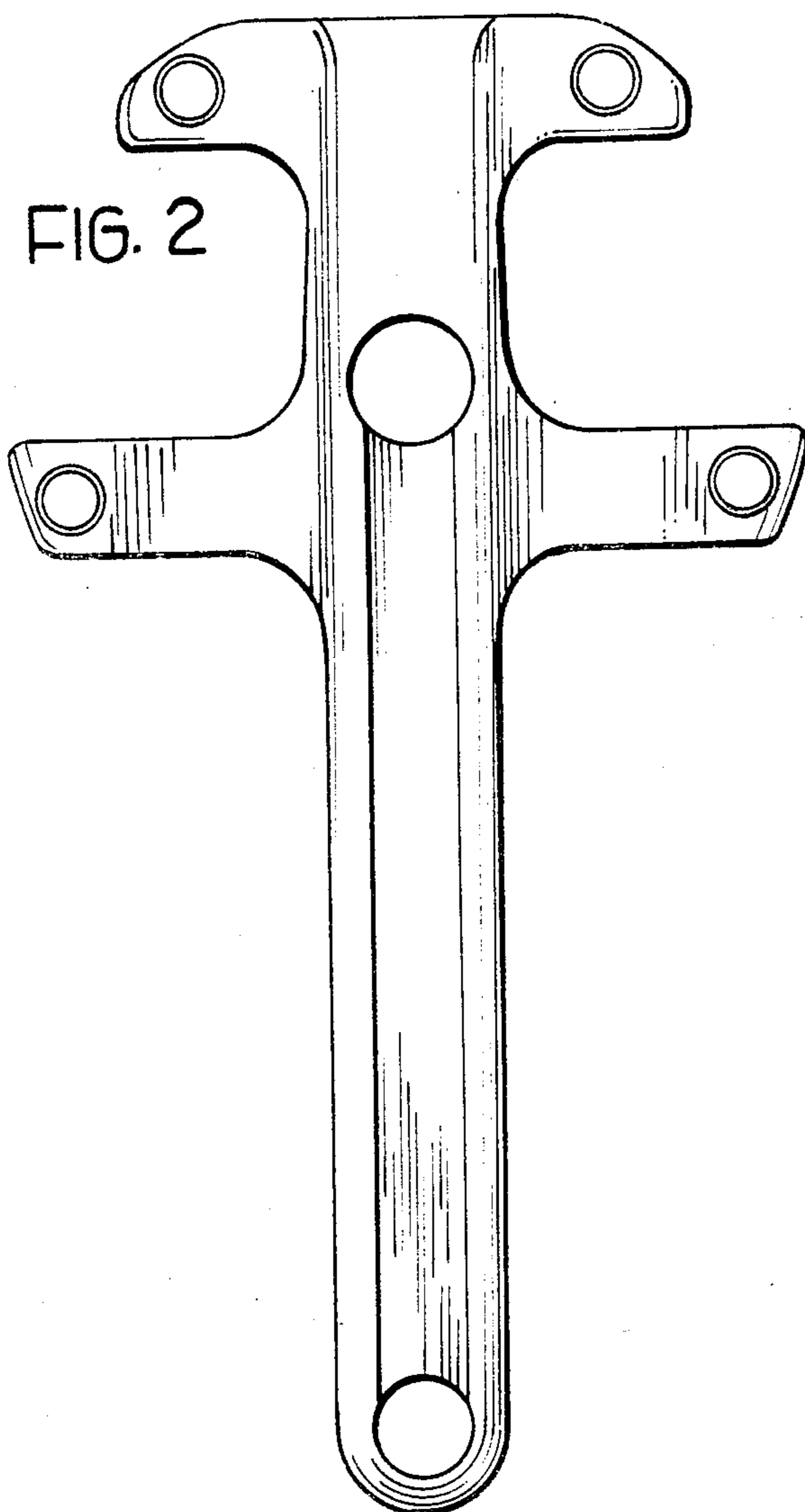


FIG. 3

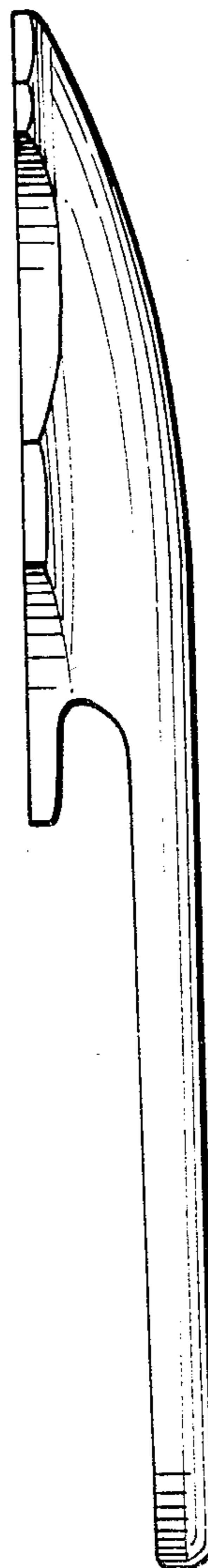


FIG. 4

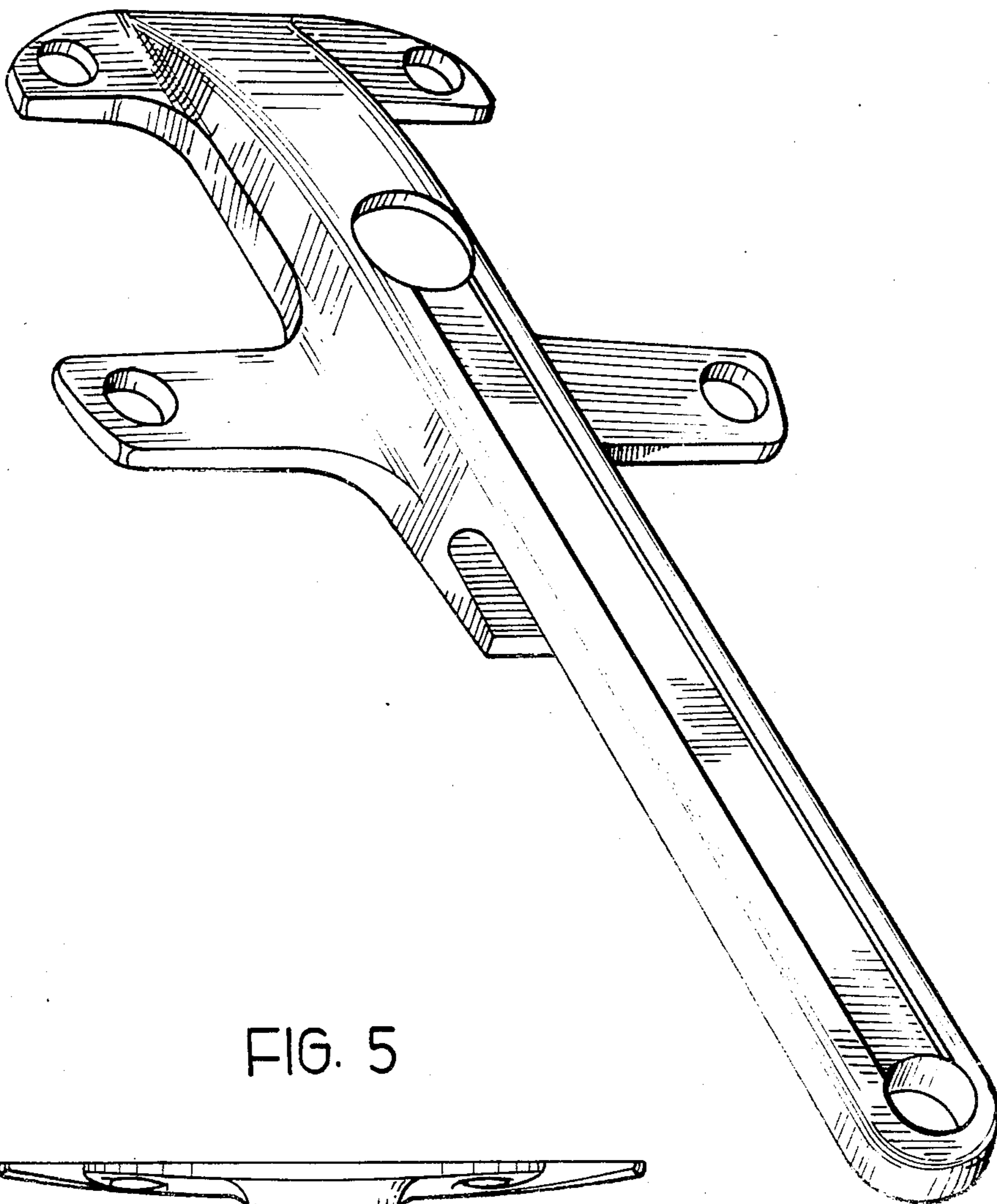


FIG. 5