

United States Patent [19]
Trusky

[11] **Patent Number: Des. 299,220**
[45] **Date of Patent: ** Jan. 3, 1989**

[54] **BICYCLE**
[75] **Inventor: Michael T. Trusky, Pewaukee, Wis.**
[73] **Assignee: Harley-Davidson, Inc., Milwaukee, Wis.**
[**] **Term: 14 Years**
[21] **Appl. No.: 820,382**
[22] **Filed: Jan. 21, 1986**
[52] **U.S. Cl. D12/111**
[58] **Field of Search D12/111; 280/281 R, 280/281 LP**

4,480,848 11/1984 Georgiev 280/281 LP

FOREIGN PATENT DOCUMENTS

3020937 12/1981 Fed. Rep. of Germany 280/281 LP

Primary Examiner—James M. Gandy
Attorney, Agent, or Firm—Fred Wiviott

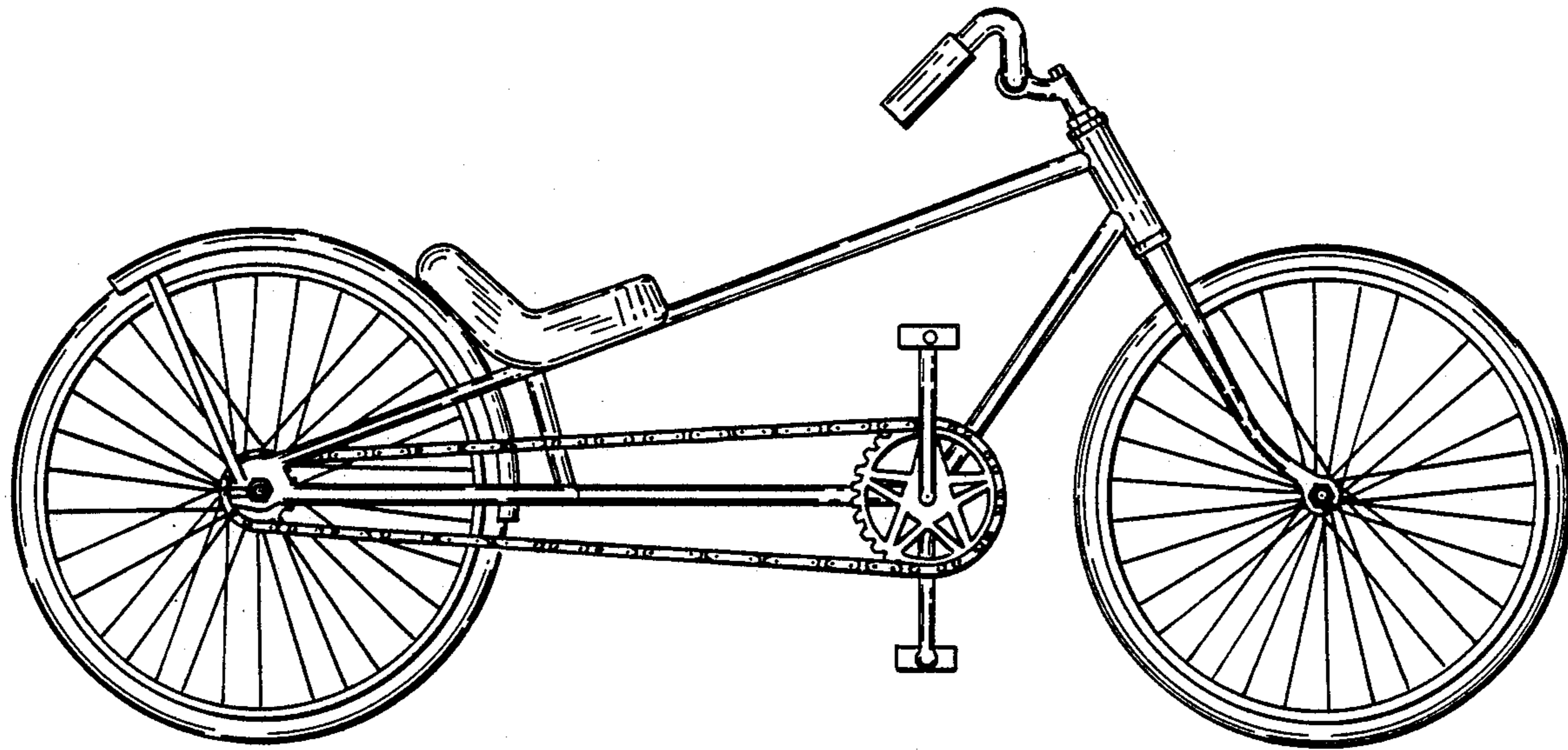
[57] **CLAIM**

The ornamental design for a bicycle, as shown.

DESCRIPTION

FIG. 1 is a right side elevation view of a bicycle showing my new design;
FIG. 2 is a front elevation view thereof;
FIG. 3 is a rear elevation view thereof;
FIG. 4 is a top plan view thereof; and
FIG. 5 is a left side elevation view thereof.

[56] **References Cited**
U.S. PATENT DOCUMENTS
D. 236,803 9/1975 Ennis D12/111
D. 248,634 7/1978 Souza et al. D12/111



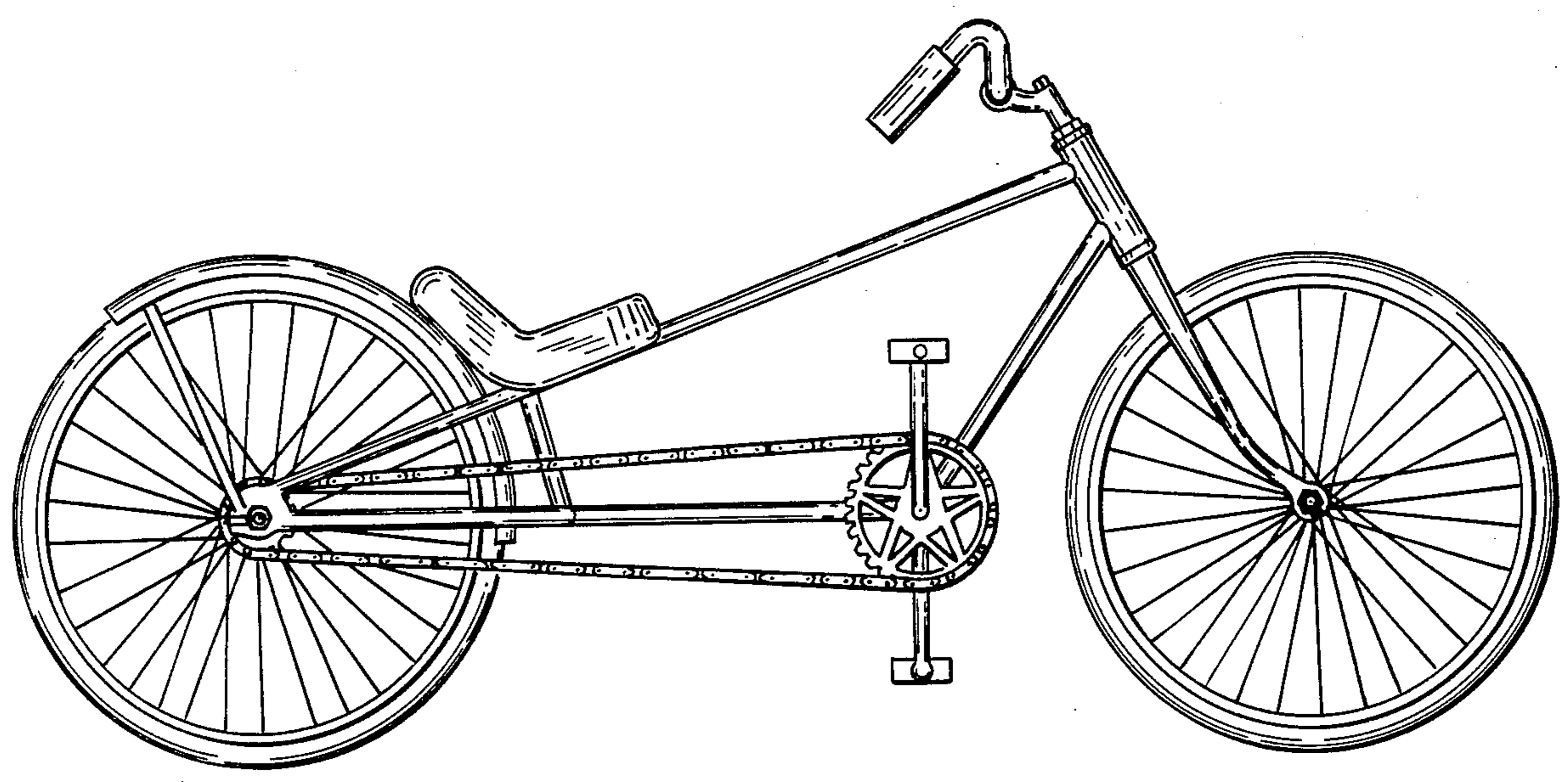


Fig. 1

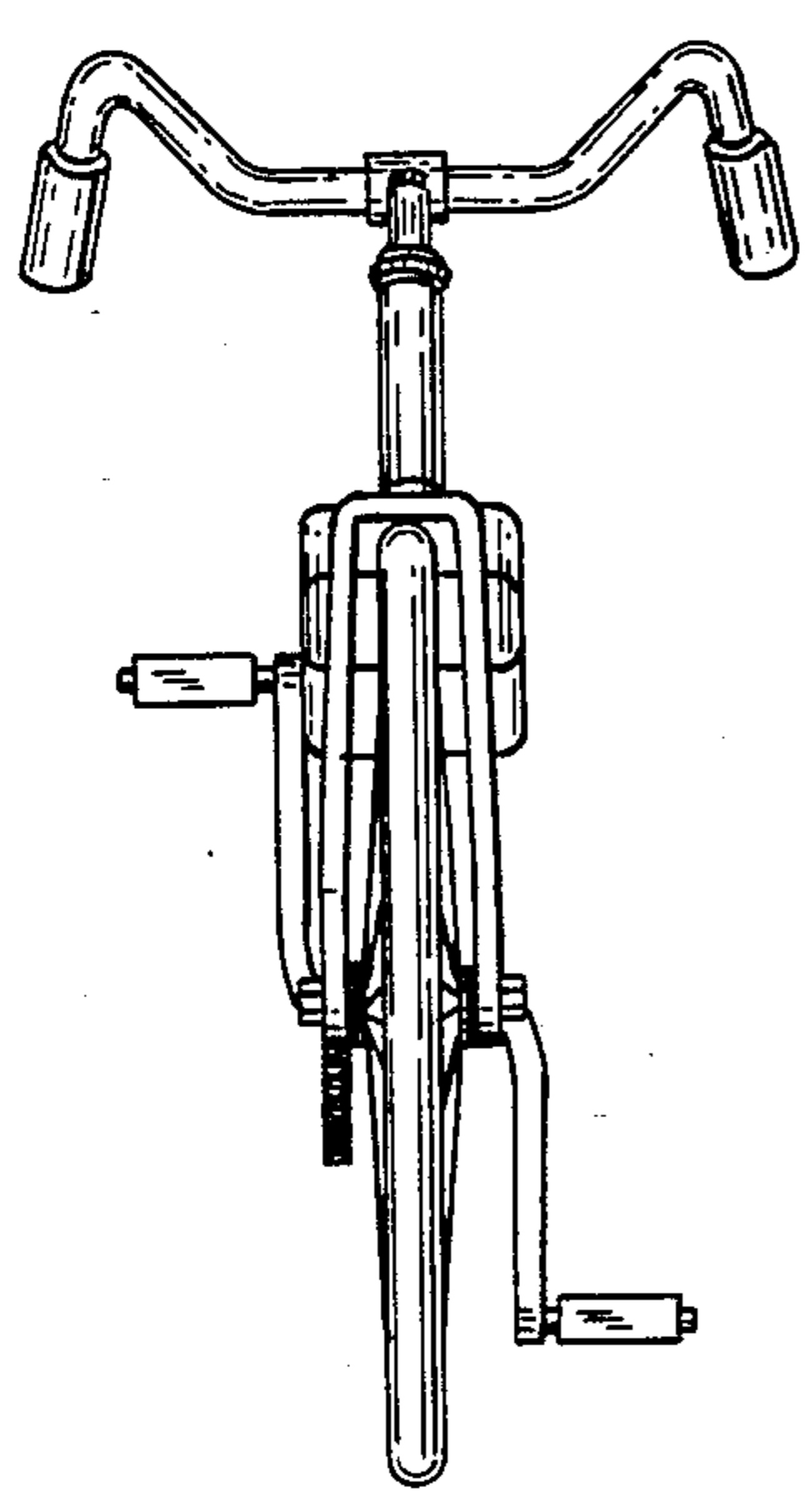


Fig. 2

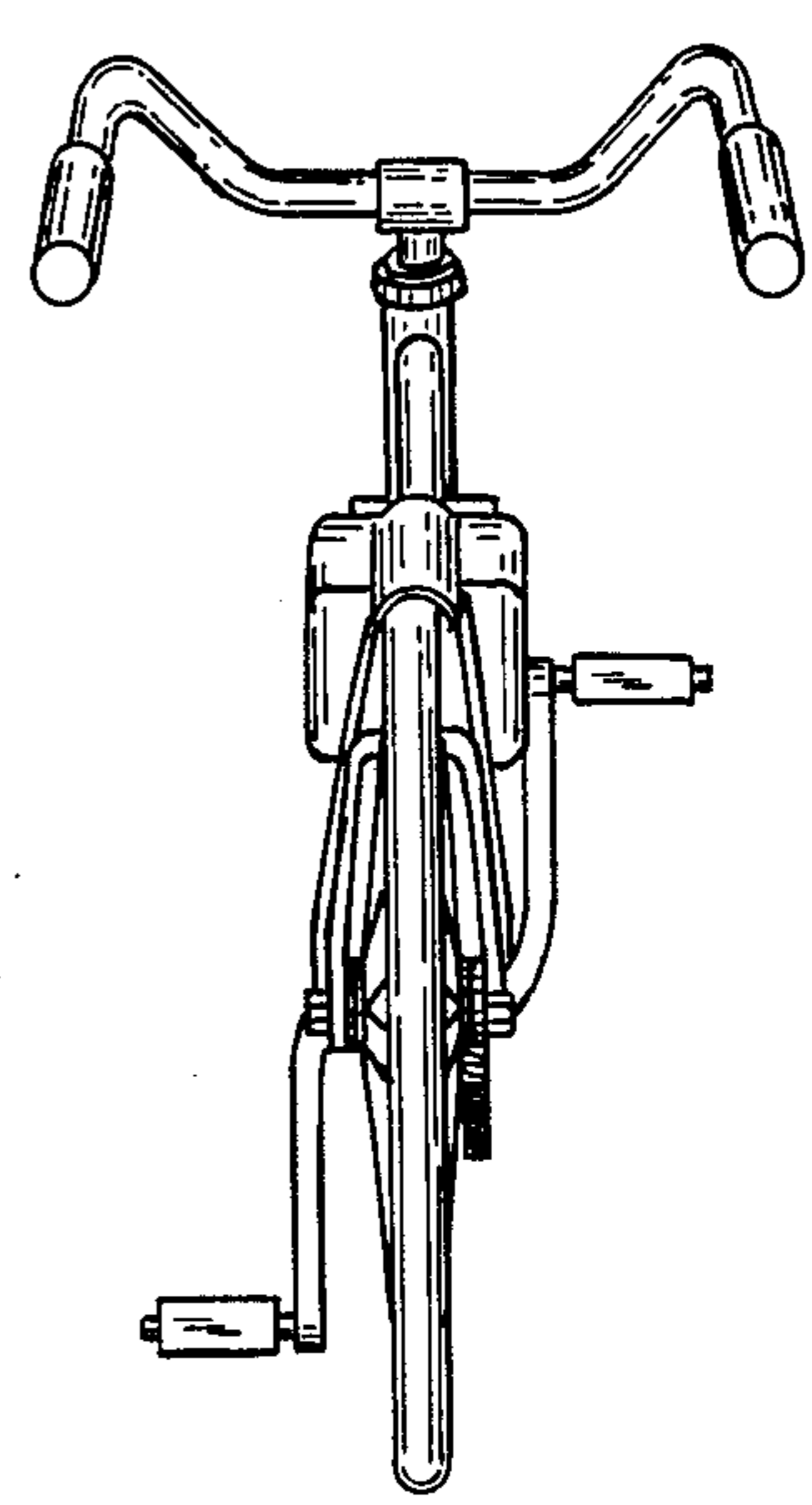


Fig. 3

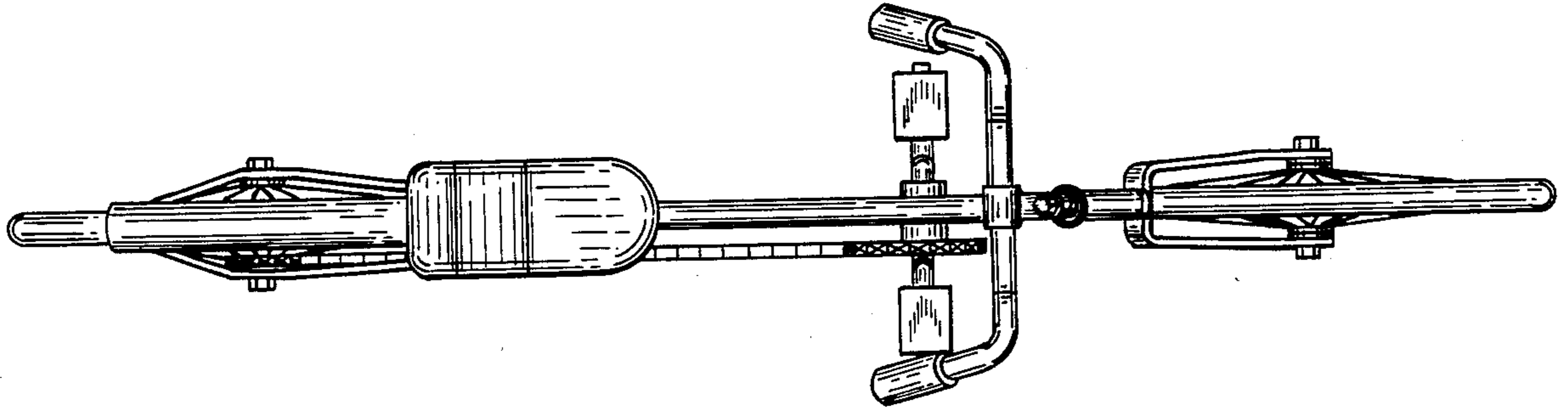


Fig. 4

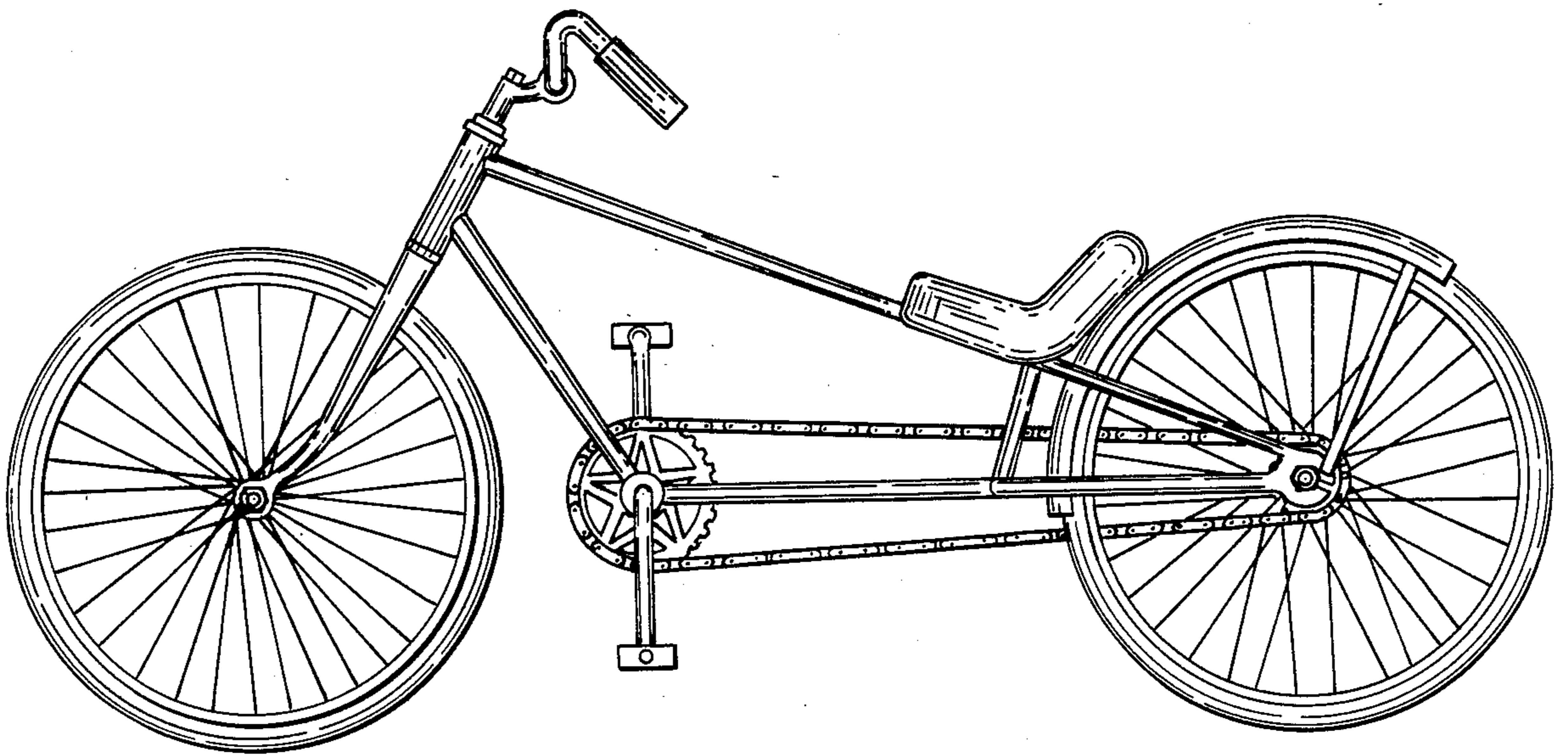


Fig. 5