

[54] **EQUIPMENT TRAILER**

[75] **Inventor: Keith Edwards, Jonesboro, Ga.**

[73] **Assignee: Custom Trailer, Incorporated,
Griffin, Ga.**

[**] **Term: 14 Years**

[21] **Appl. No.: 939,894**

[22] **Filed: Dec. 9, 1986**

[52] **U.S. Cl. D12/101**

[58] **Field of Search D12/101; 280/63;
414/537; 296/182**

[56] **References Cited
PUBLICATIONS**

Miller Trailering Guide, p. 6, Equipment Trailers R-12 & R-18.

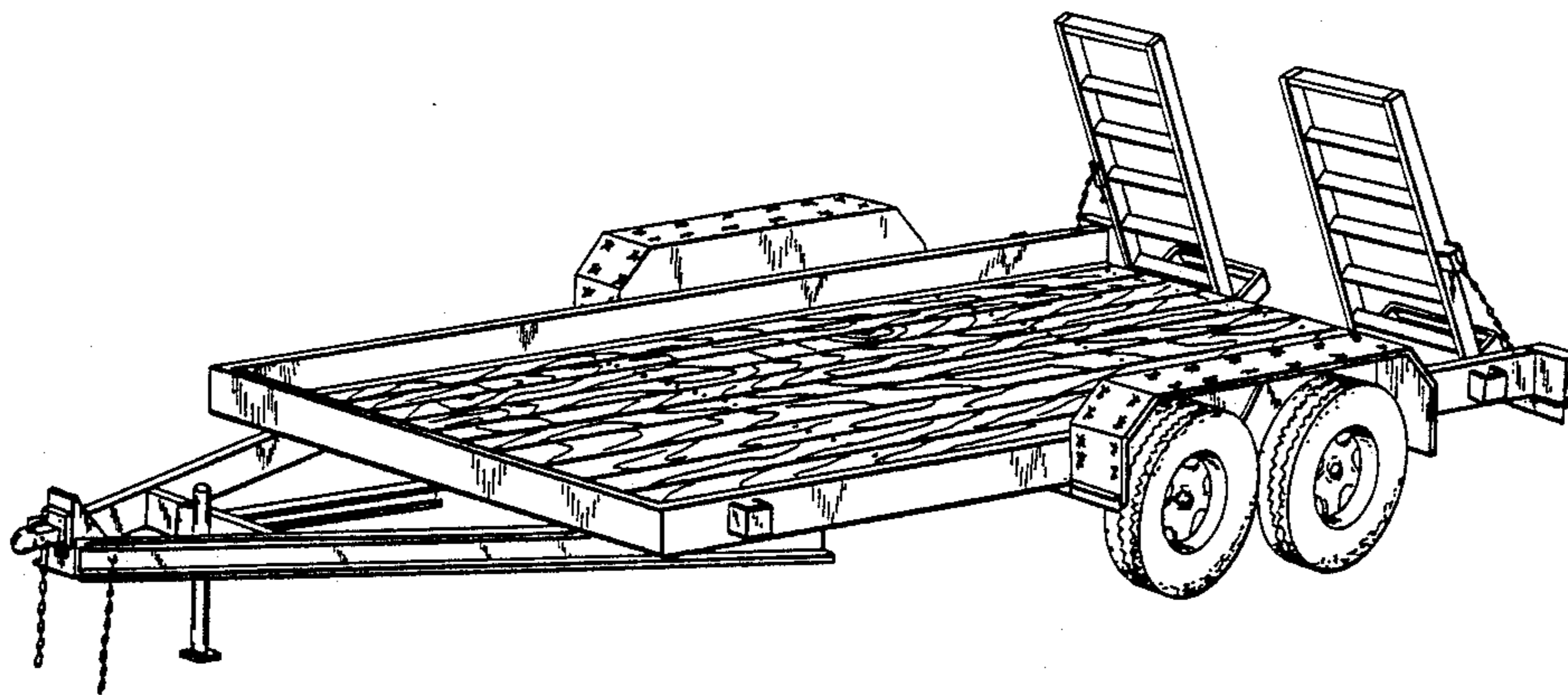
Primary Examiner—James M. Gandy
Attorney, Agent, or Firm—Thomas & Kennedy

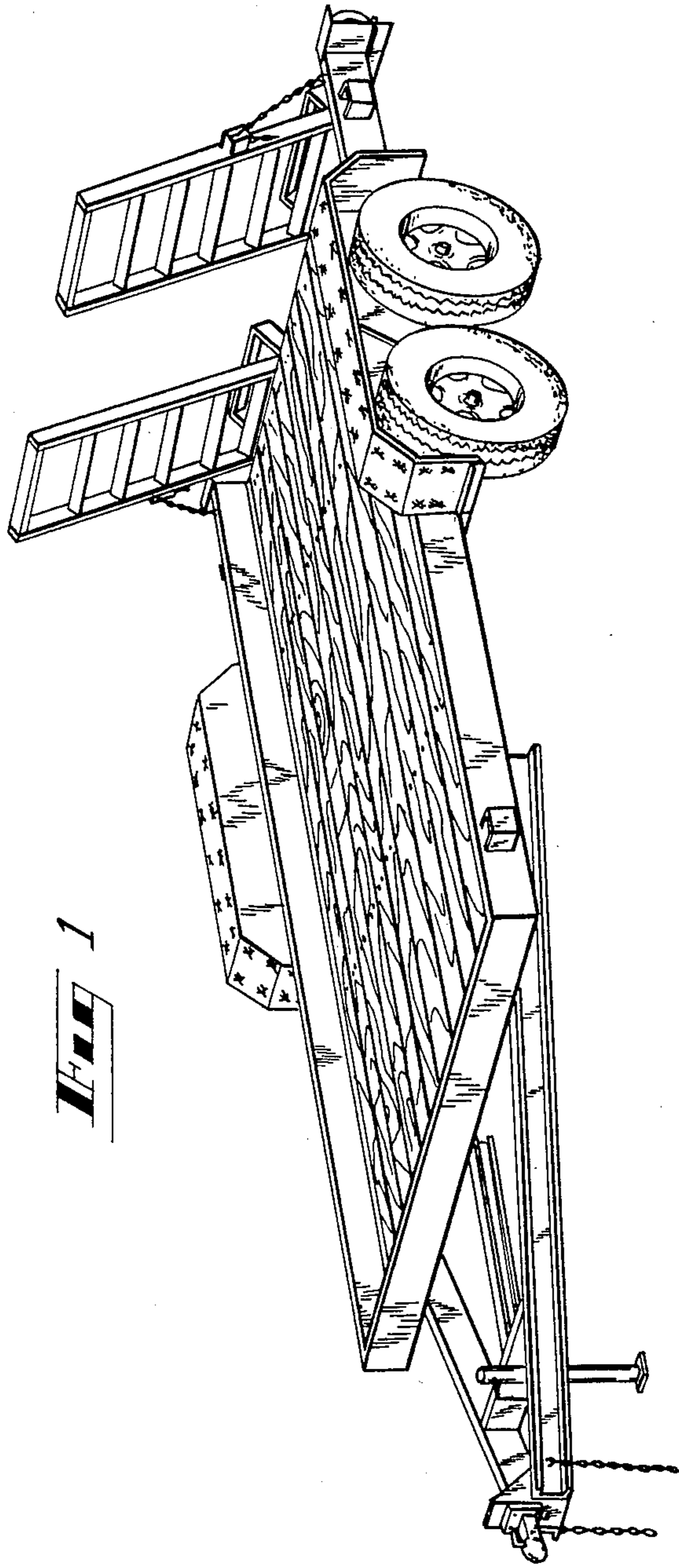
[57] **CLAIM**

The ornamental design for an equipment trailer, as shown and described.

DESCRIPTION

FIG. 1 is an isometric view of the equipment trailer; FIG. 2 is a top plan view thereof on a reduced scale; FIG. 3 is a bottom plan view thereof on a reduced scale; FIG. 4 is a side elevational view thereof on a reduced scale, the other side being a mirror image of that shown. FIG. 5 is a front elevational view thereof; and FIG. 6 is a rear elevational view thereof with the trailer ramp shown in a lowered position.





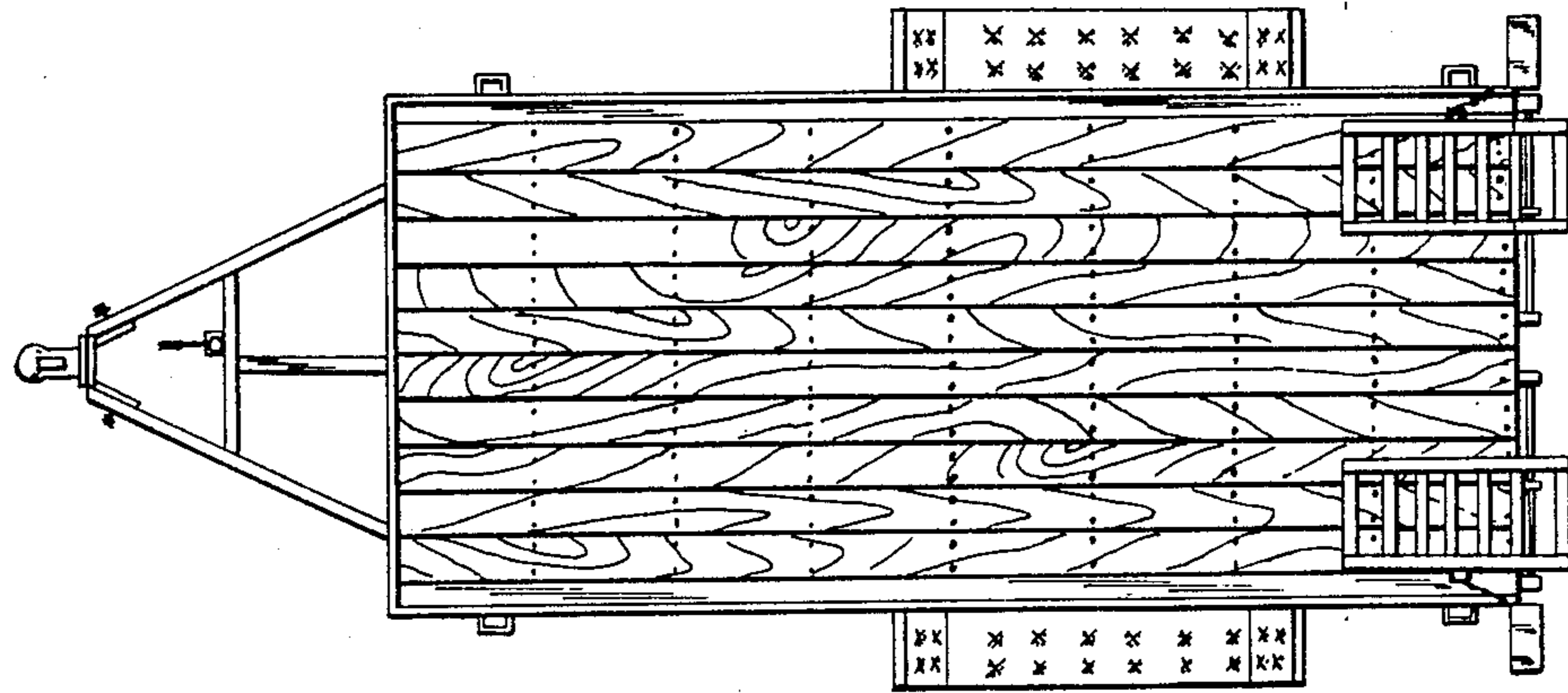


Fig 2

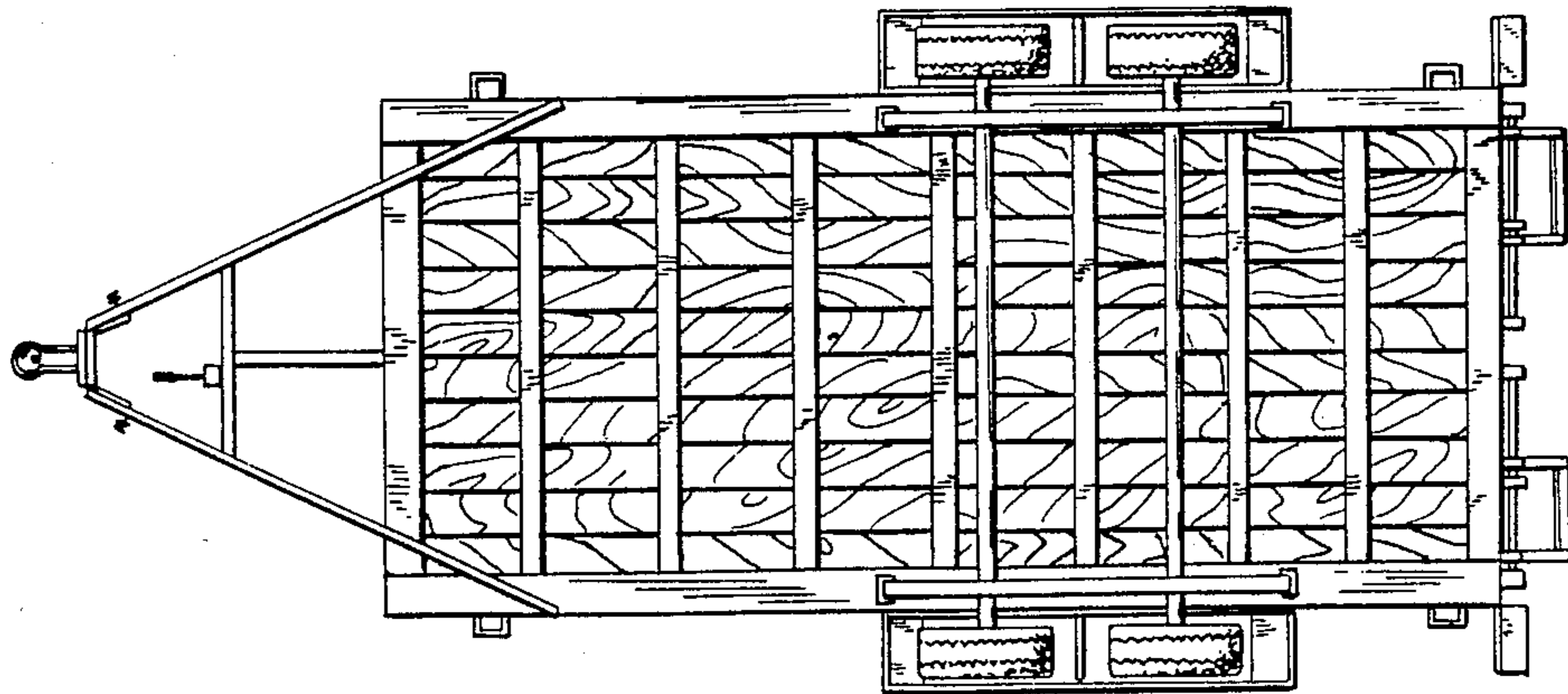


Fig 3

Fig 4

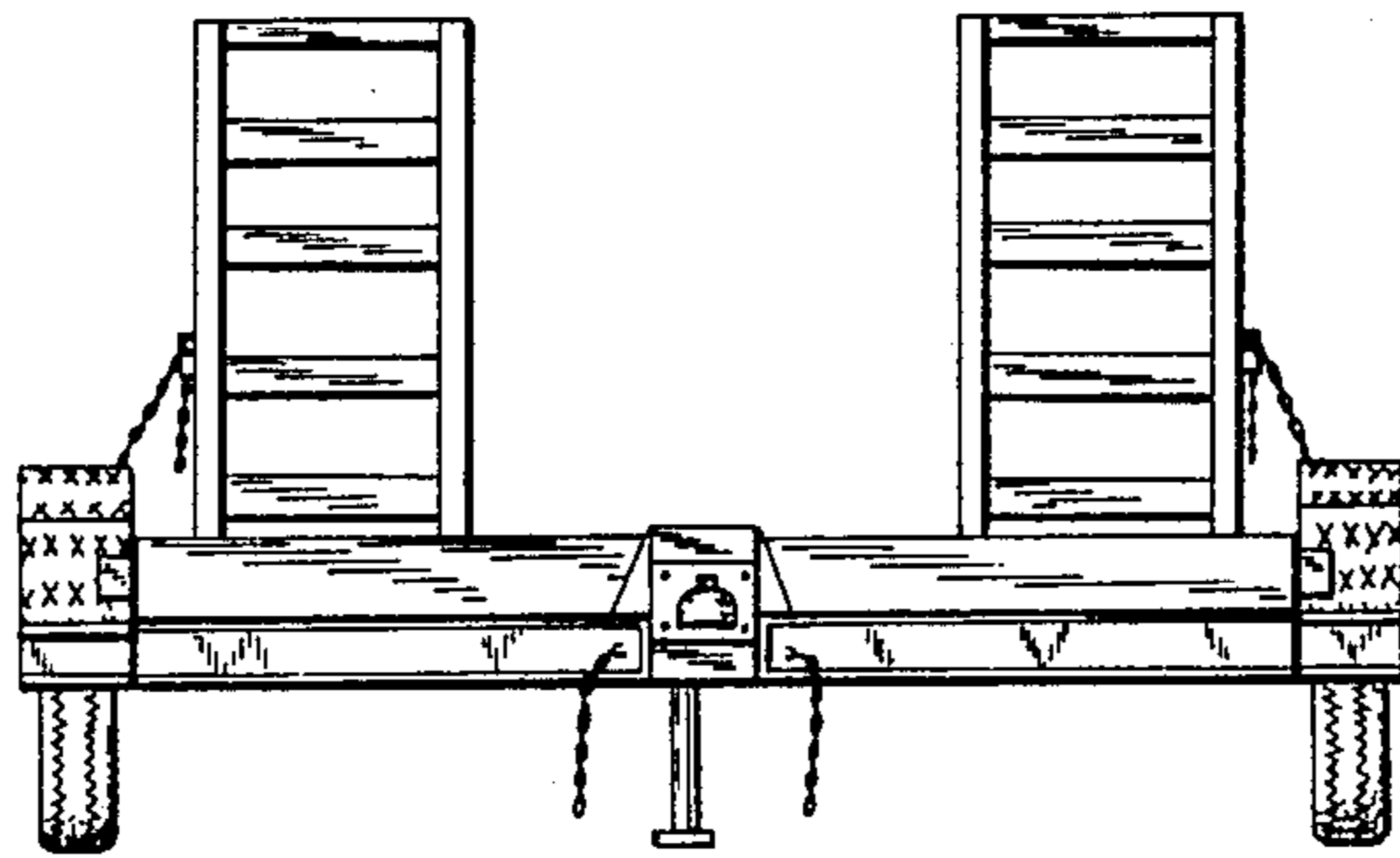
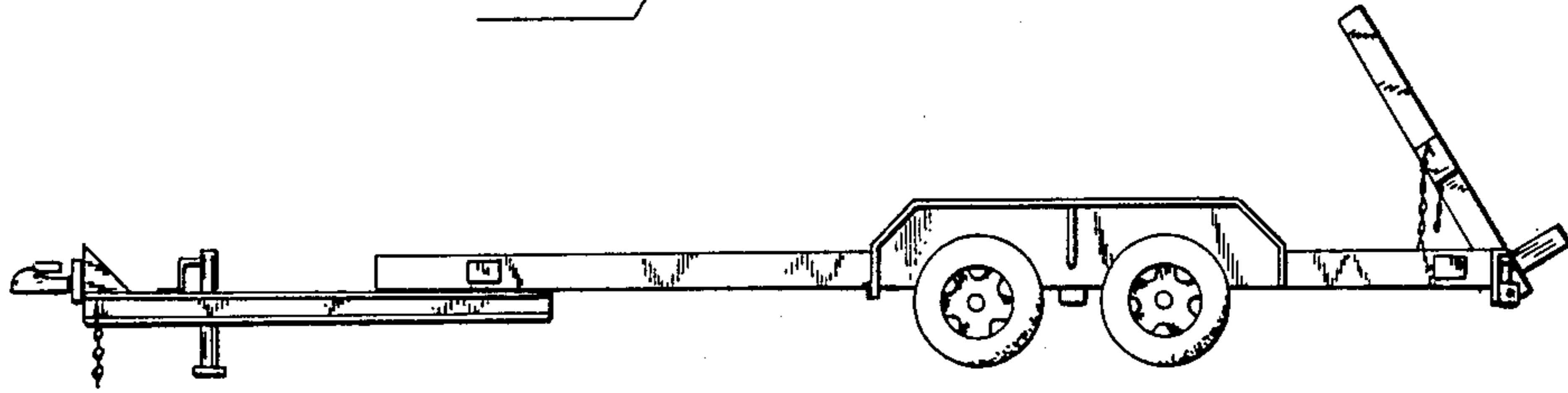


Fig 5

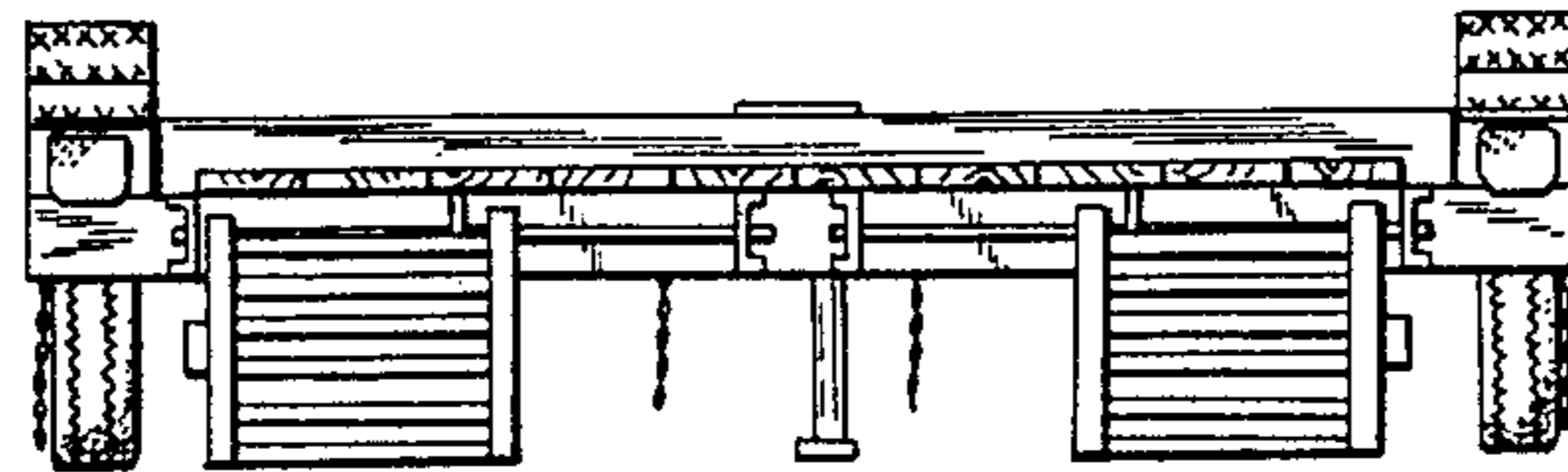


Fig 6