

[54] METEOROLOGICAL STATION WITH SENSOR ARRAY

2,526,631 10/1950 Brady 73/170 R X
2,837,916 6/1958 Humphreys 73/170 R
3,426,591 2/1969 Struben 73/170 R

[75] Inventor: Harry R. Sampey, Vanderbilt, Pa.

Primary Examiner—Nelson C. Holtje
Attorney, Agent, or Firm—Nixon & Vanderhye

[73] Assignee: Arax International Corporation, Vanderbilt, Pa.

[57] CLAIM

[**] Term: 14 Years

The ornamental design for a meteorological station with sensor array, as shown and described.

[21] Appl. No.: 810,293

DESCRIPTION

[22] Filed: Dec. 18, 1985

[52] U.S. Cl. D10/53

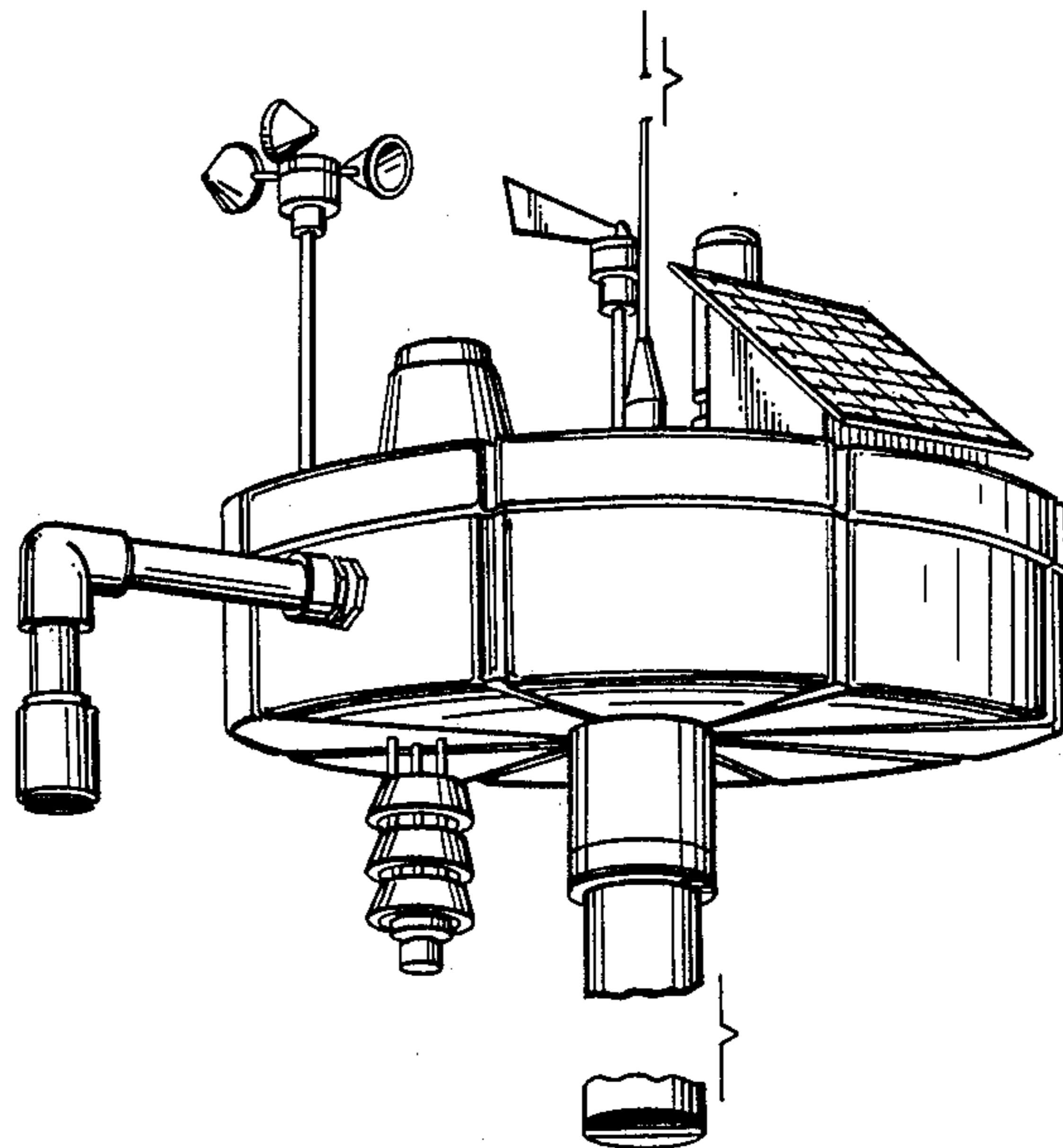
[58] Field of Search D10/46, 52-53, D10/55-56, 59, 60, 83, 96; 73/170 R, 178; D14/92, 95, 99, 86, 88-89, 91

FIG. 1 is a front elevational view of a meteorological station with sensor array showing my new design; FIG. 2 is an enlarged front and bottom perspective view thereof; FIG. 3 is a right side elevational view thereof; FIG. 4 is a rear elevational view thereof; FIG. 5 is a left side elevational view thereof; FIG. 6 is a top plan view thereof; FIG. 7 is a bottom plan view thereof. The antenna and support pole of FIGS. 2-5 have been shown broken-away for ease of illustration.

[56] References Cited

U.S. PATENT DOCUMENTS

D. 246,031 10/1977 Kroon D10/56
D. 258,640 3/1981 Hefling D10/53
2,441,133 5/1948 Brady 73/170 X



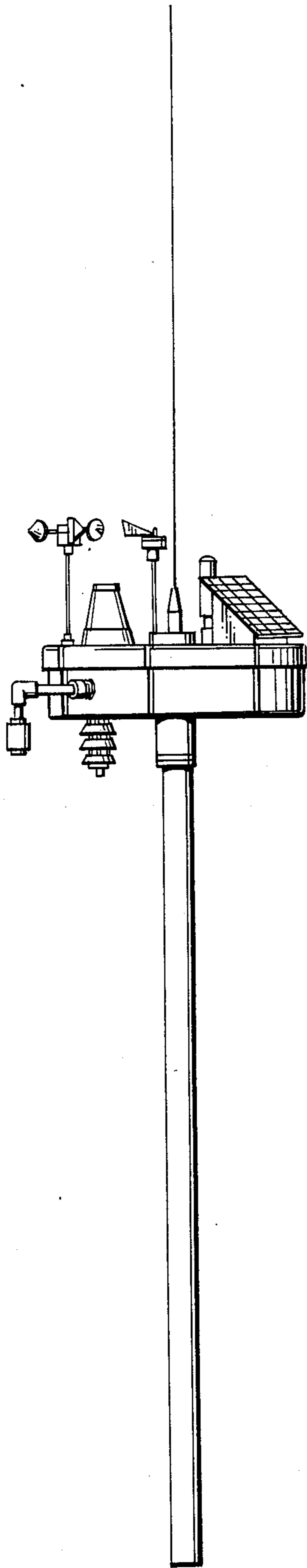


FIG. 1

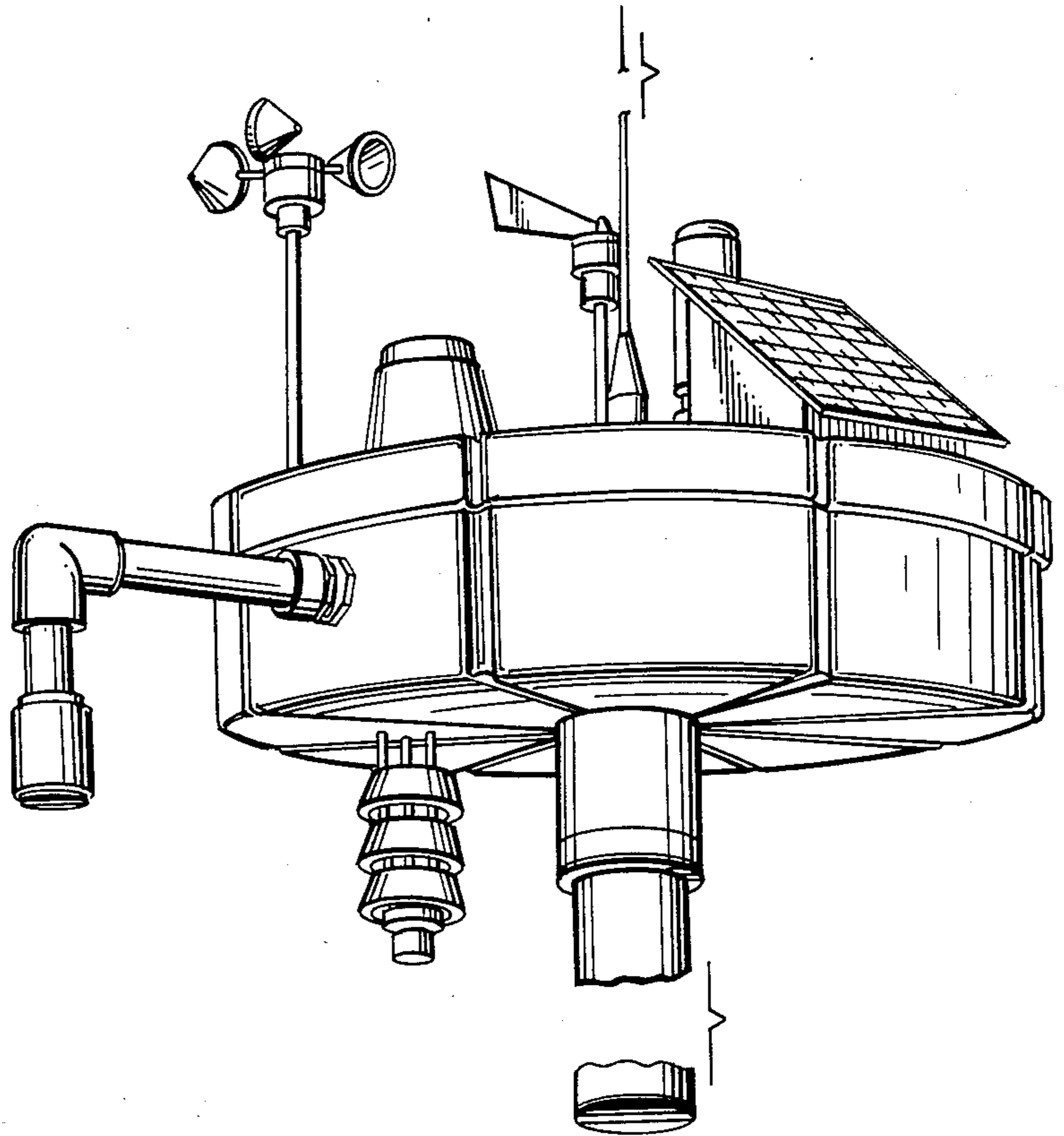


FIG. 2

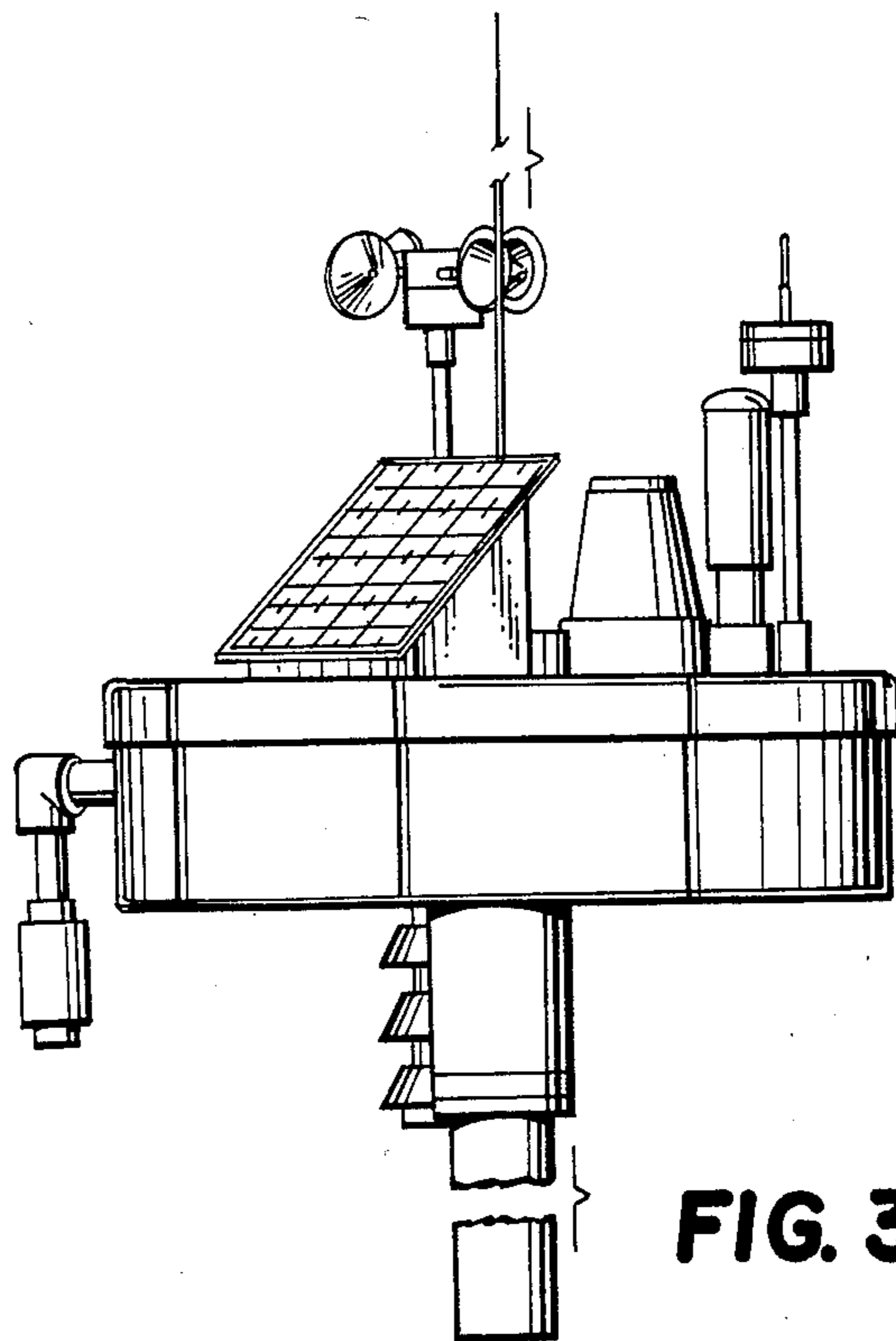


FIG. 3

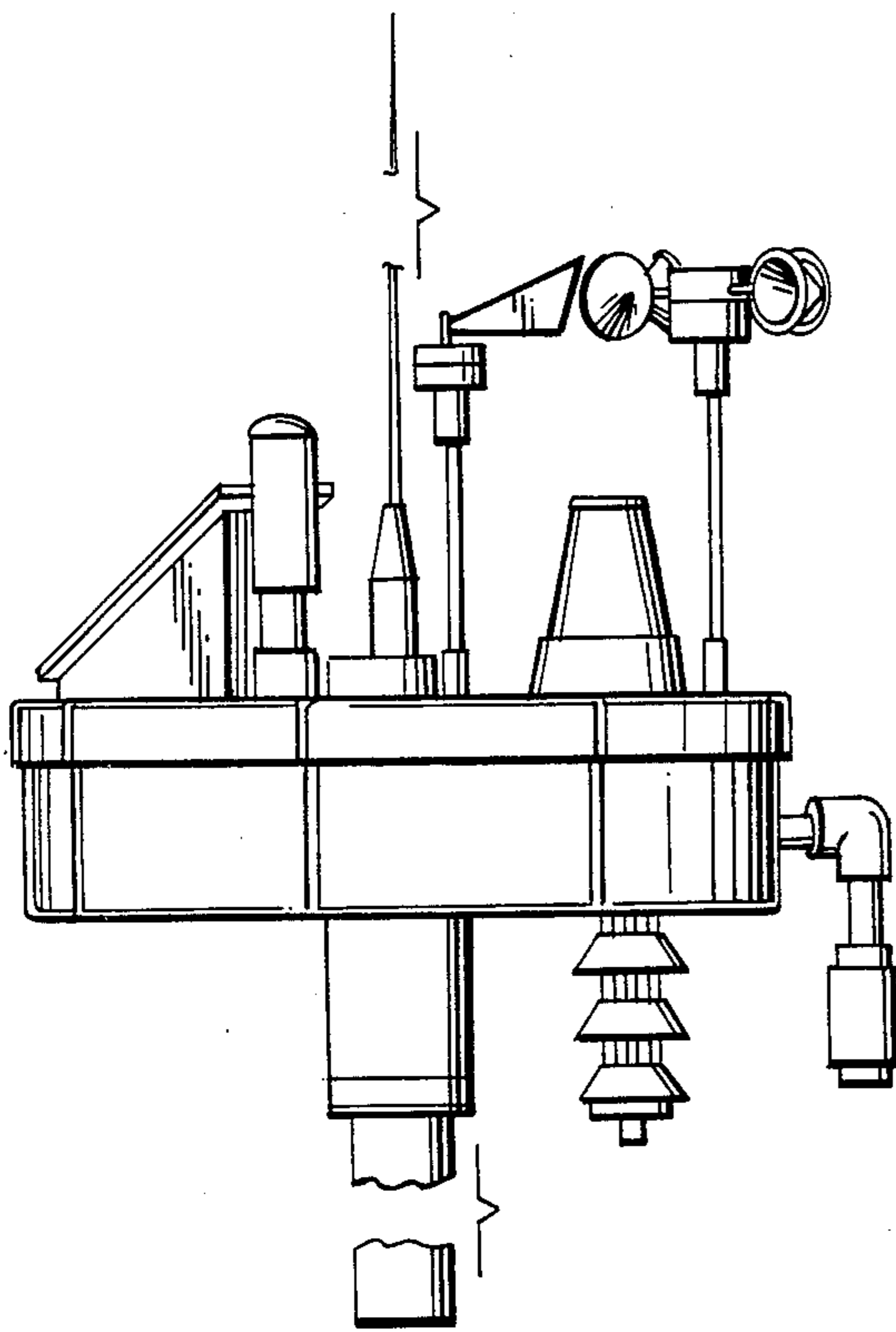


FIG. 4

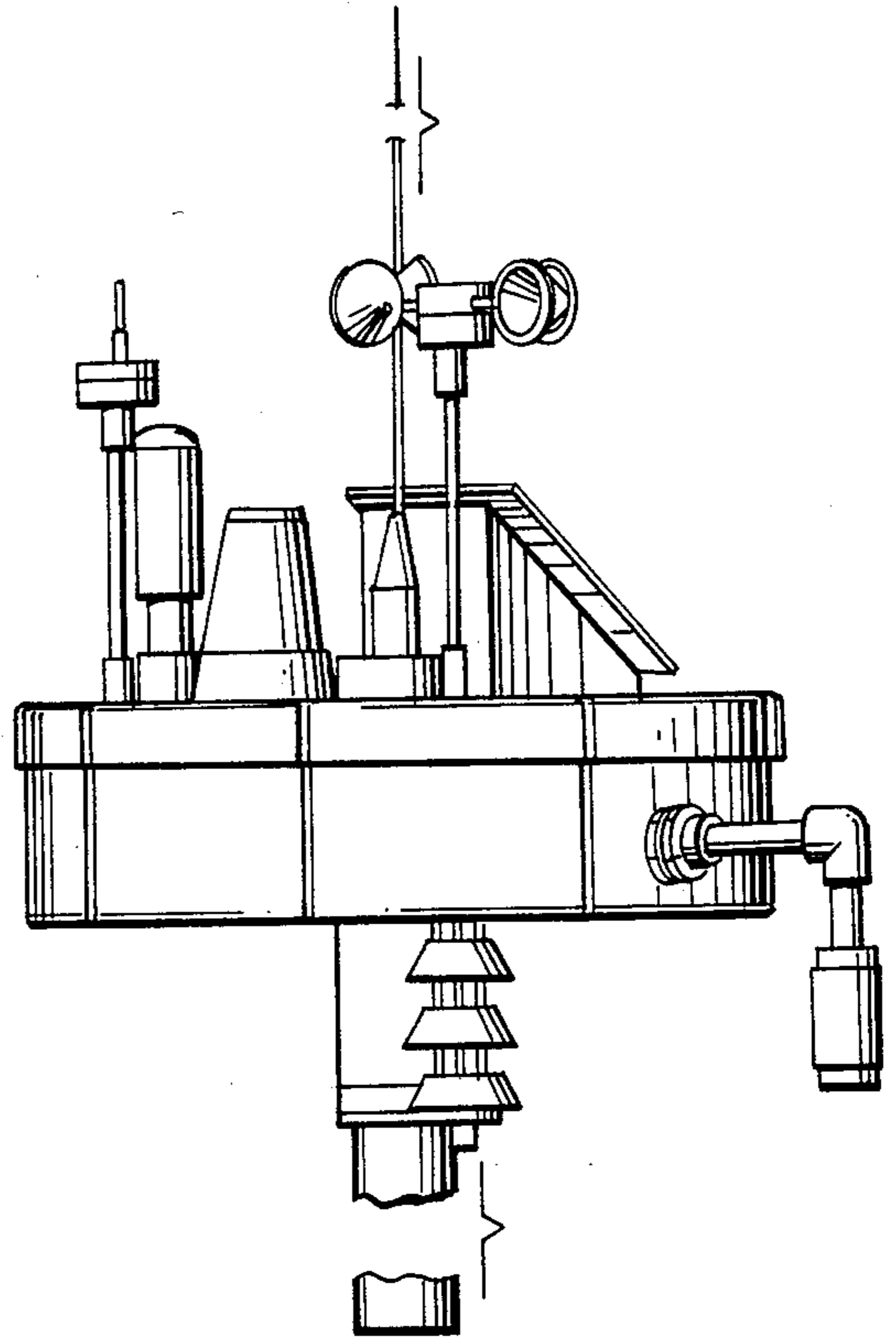


FIG. 5

FIG. 6

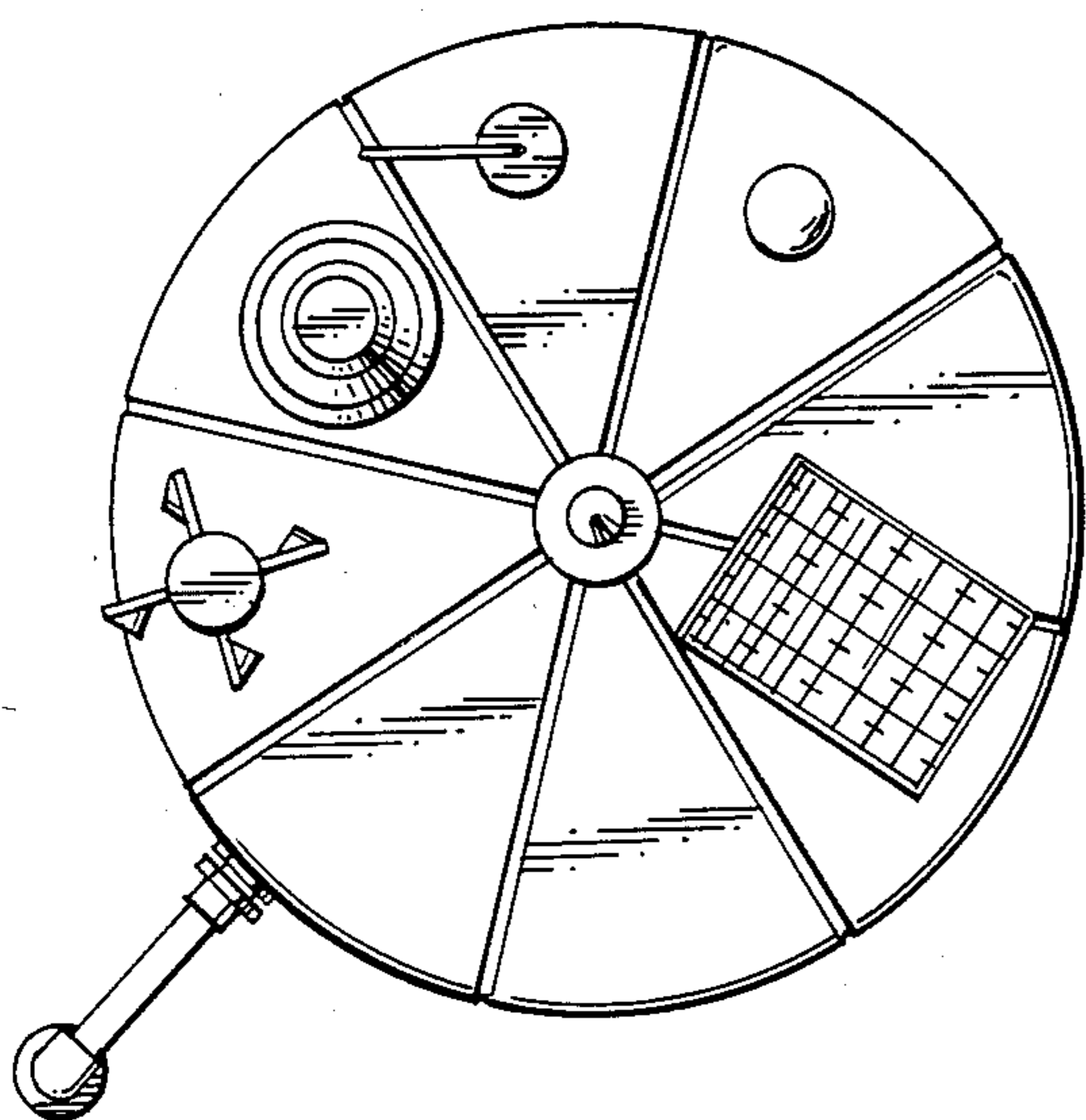


FIG. 7

