

[54] NAIL HOLDING ATTACHMENT FOR A HAMMER HEAD

[75] Inventor: Theodore F. Puntillo, Sacramento, Calif.

[73] Assignees: Theodore Eugene Puntillo; Edward Anthony Puntillo, ; part interest to each

[**] Term: 14 Years

[21] Appl. No.: 206,628

[22] Filed: Jun. 14, 1988

[52] U.S. Cl. D8/395; D8/71; D8/80; D8/396

[58] Field of Search D8/356, 396, 397, 75-81; 81/23; 24/335, 336, 339; 248/74.1, 74.2

[56] References Cited

U.S. PATENT DOCUMENTS

D. 269,155	5/1983	Rose	D8/356
D. 293,205	12/1987	Nakano	D8/396
1,540,372	6/1925	Sears	24/339
3,177,460	4/1965	Downey	439/136
3,778,537	12/1973	Miller	248/74.2
3,807,675	4/1974	Seckerson et al.	248/74.2

FOREIGN PATENT DOCUMENTS

601428	2/1935	Fed. Rep. of Germany	24/339
604760	2/1935	Fed. Rep. of Germany	24/339
8006042	4/1982	Netherlands	248/74.1
20948	of 1898	United Kingdom	24/339
170242	4/1972	United Kingdom	248/74.2

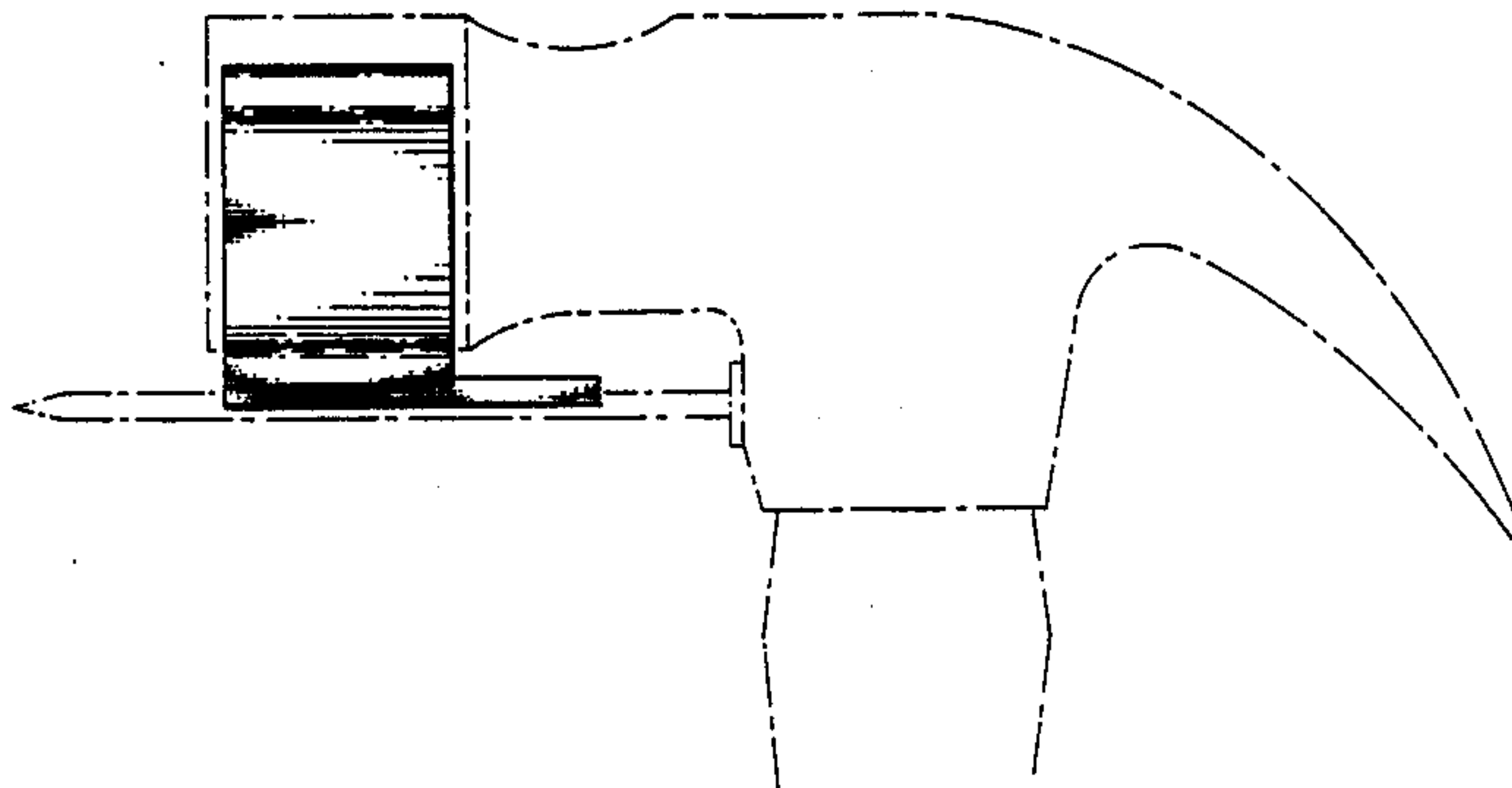
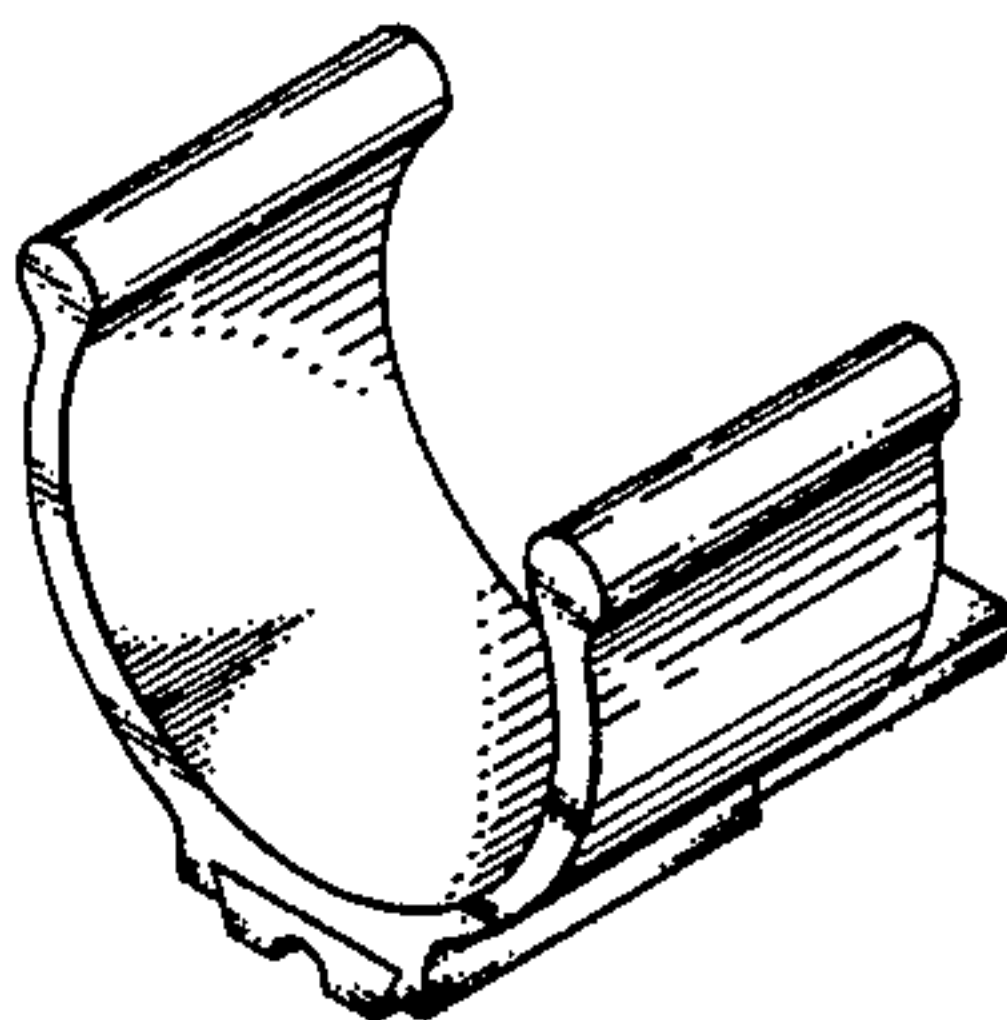
Primary Examiner—Wallace R. Burke
Assistant Examiner—Clare E. Heflin
Attorney, Agent, or Firm—Lothrop & West

[57] CLAIM

The ornamental design for a nail holding attachment for a hammer head, as shown and described.

DESCRIPTION

FIG. 1 is a front perspective view of a nail holding attachment for a hammer head showing my new design; FIG. 2 is an elevational view of one side thereof, the opposite side being a mirror image; FIG. 3 is an elevational view of one end thereof, the opposite end being a mirror image; FIG. 4 is a top plan view thereof; and, FIG. 5 is a bottom plan view thereof. The broken line representation of a hammer head and nail in FIG. 2 is for the purpose of illustrating the environment and forms no part of the claimed design invention.



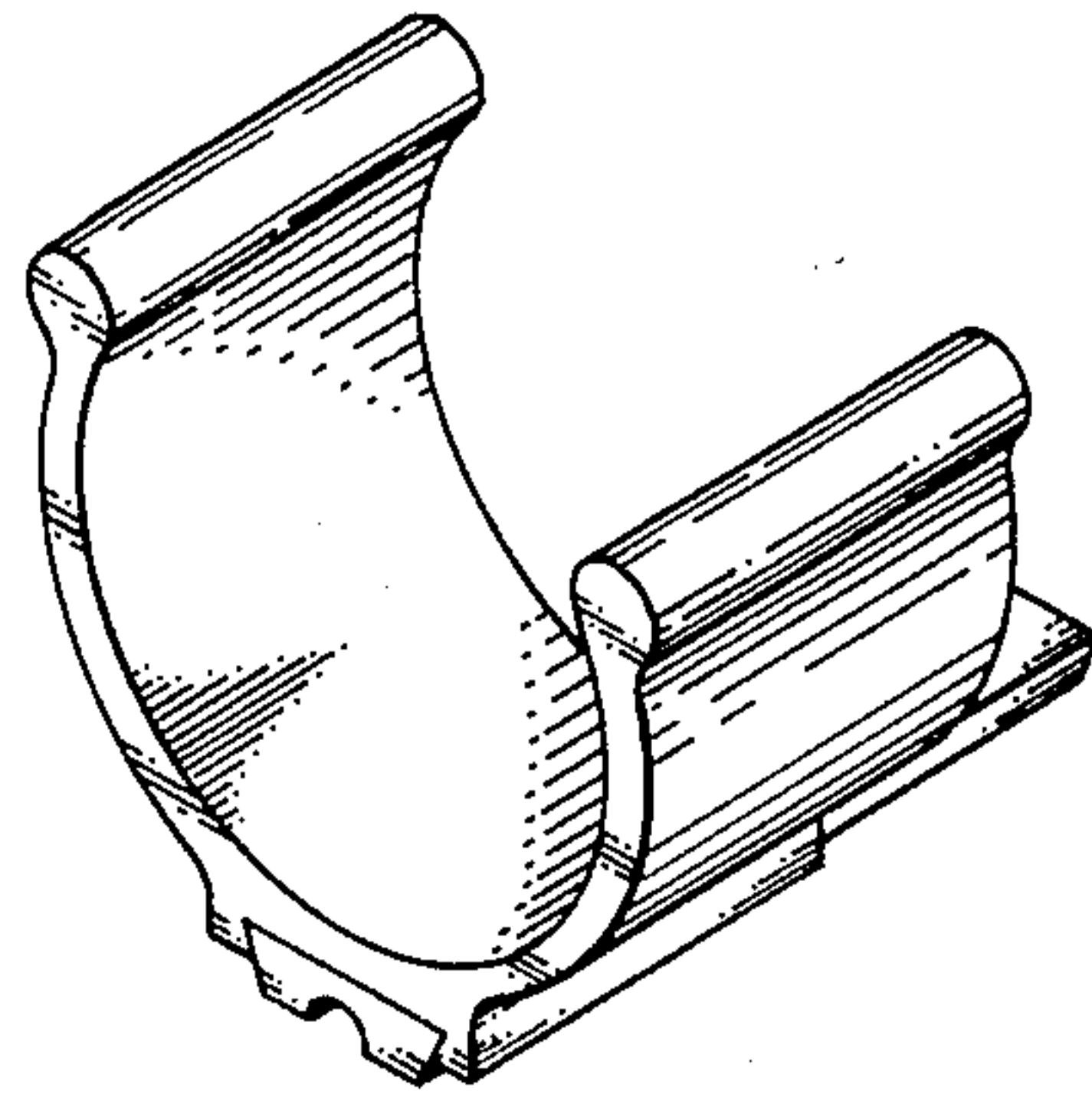


FIG. 1.

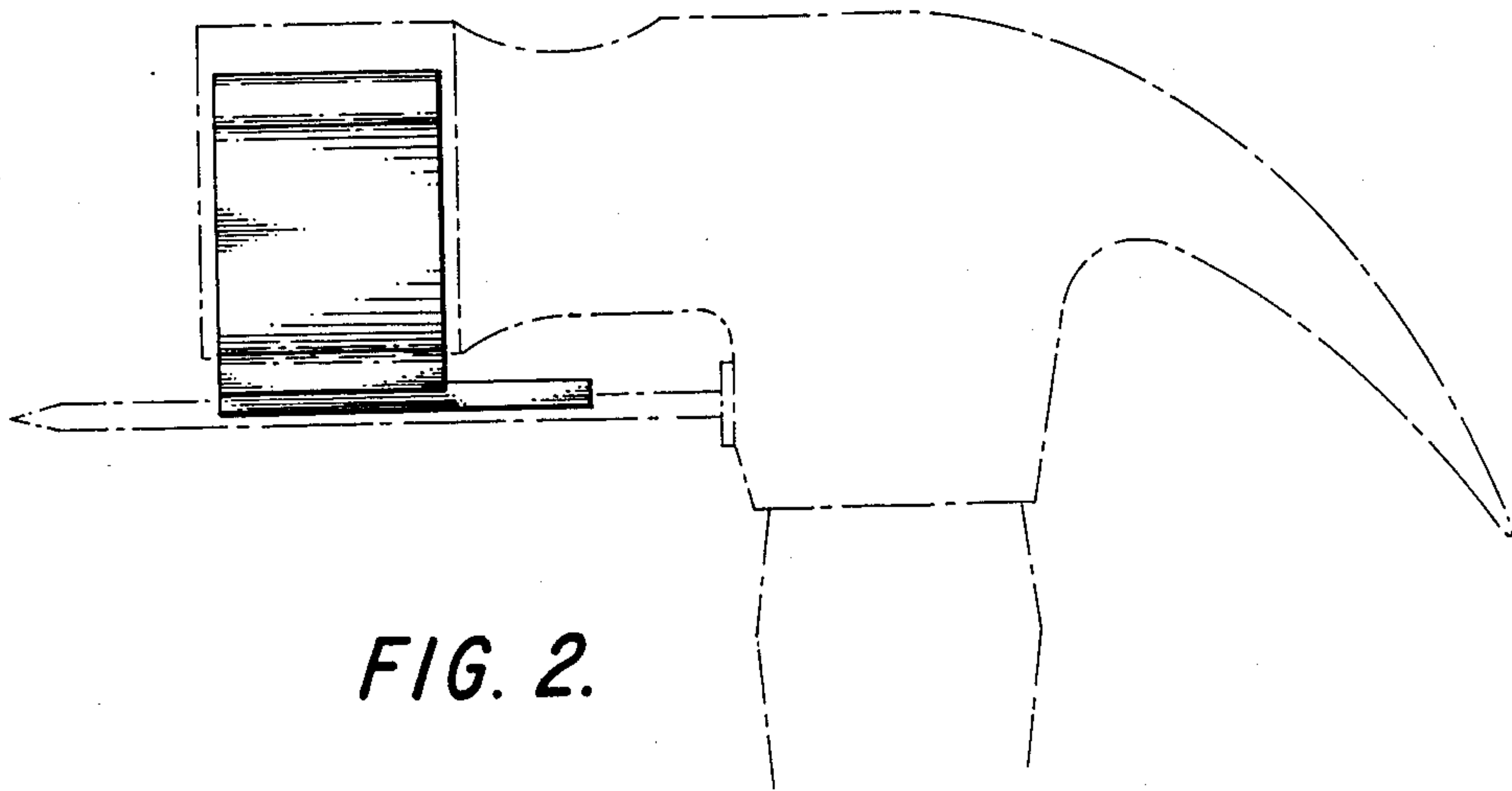


FIG. 2.

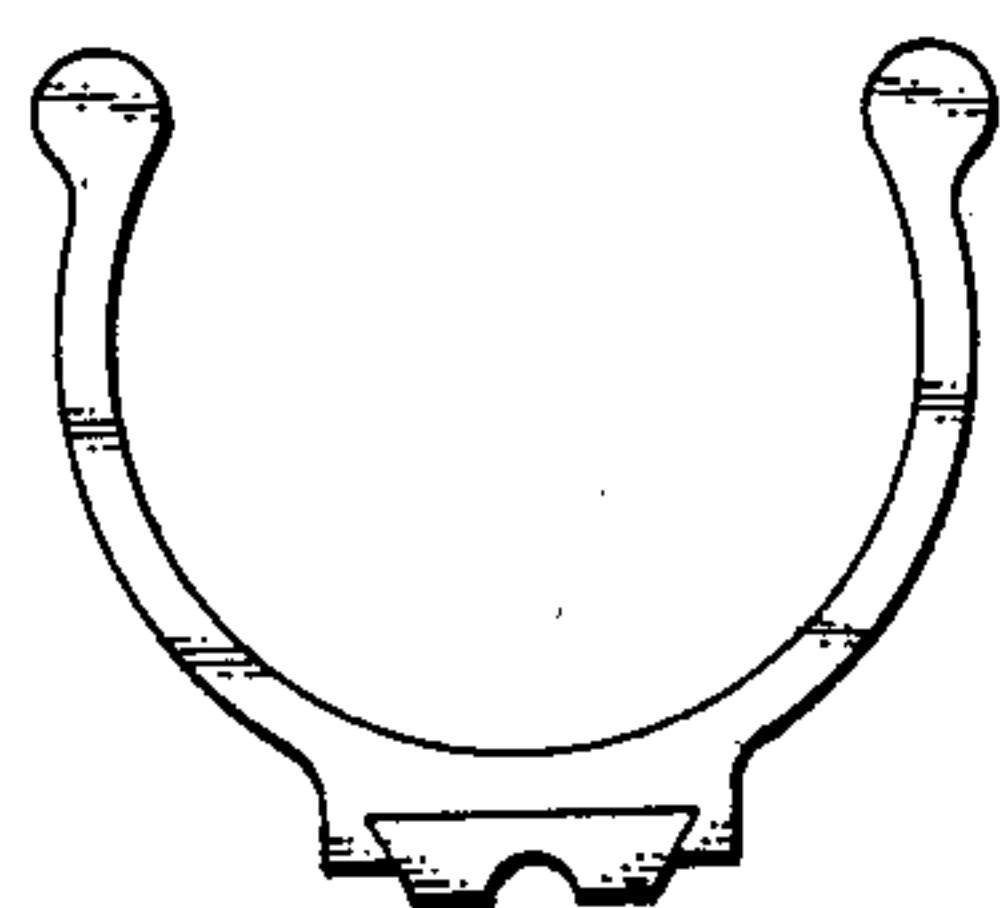


FIG. 3.

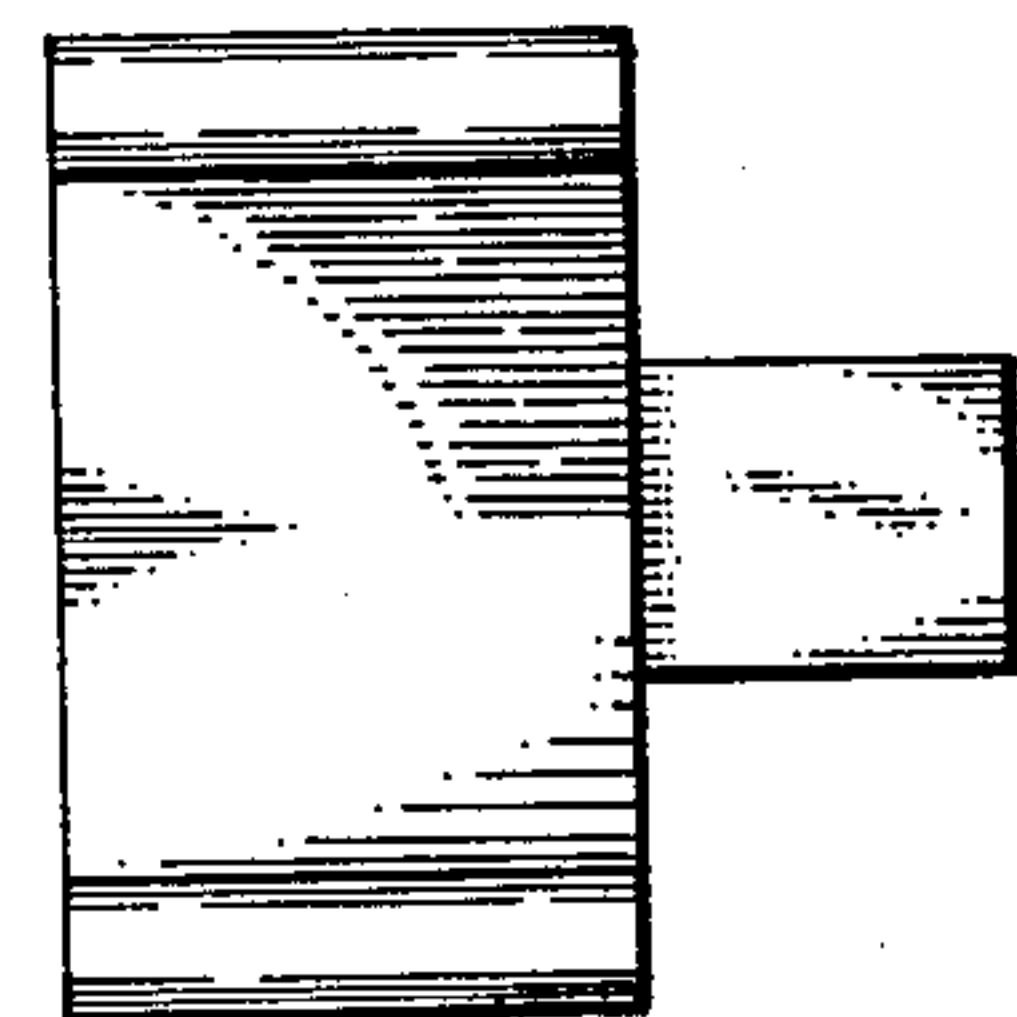


FIG. 4.

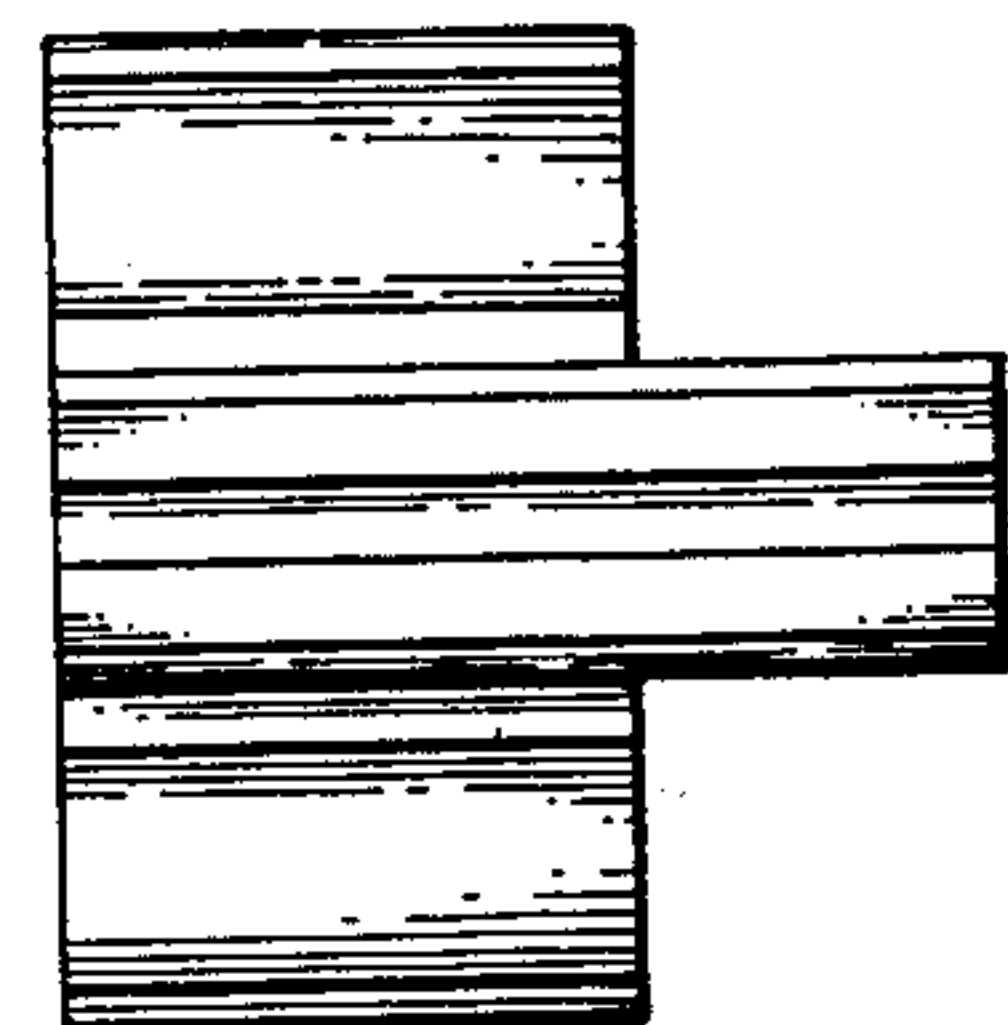


FIG. 5.