

[54] TOOTHED DRIVE PULLEY

[75] Inventor: Stig B. Ahlgren, Munich, Fed. Rep. of Germany

[73] Assignee: Prismavision AB, Malmo, Sweden

[**] Term: 14 Years

[21] Appl. No.: 790,140

[22] Filed: Oct. 22, 1985

[30] Foreign Application Priority Data

Apr. 29, 1985 [SE] Sweden 85-1108

[52] U.S. Cl. D8/360; 474/188

[58] Field of Search D8/356; D23/413, 414, D23/386, 499; 40/503, 506, 508; 474/188, 158, 205, 152; 242/86

[56] References Cited

U.S. PATENT DOCUMENTS

- D. 166,013 2/1952 Woodward D23/414
- D. 179,980 4/1957 Peras D8/360
- D. 193,643 9/1962 Klonoski D23/413
- D. 227,012 5/1973 Ranz et al. D23/414
- D. 285,111 8/1986 Hanson D23/413
- D. 290,038 5/1987 Patch et al. D23/414 X
- 616,176 12/1898 Zimmerman 24/71.2
- 990,648 4/1911 Hamilton 474/188
- 994,025 5/1911 Montgomery 242/86

- 1,513,763 11/1924 Rowe D23/414
- 2,572,276 10/1951 Moe 474/188
- 3,305,958 2/1967 Price, Jr. 40/505
- 4,530,680 7/1985 Miranti 474/188
- 4,545,778 10/1985 Koivirla 474/188
- 4,571,224 2/1986 Arinaja 474/205

FOREIGN PATENT DOCUMENTS

- 1398919 6/1975 United Kingdom 242/86

OTHER PUBLICATIONS

Revcor, Inc. brochure *Bulletin 2800* showing of Blower Wheels, p. 1, p. 2, 4; bottom Double Air Stripwheel p. 5.

Primary Examiner—Horace B. Fay, Jr.
Attorney, Agent, or Firm—Bacon & Thomas

[57] CLAIM

The ornamental design for toothed drive pulley, as shown and described.

DESCRIPTION

FIGS. 1 and 2 are respectively top and bottom plan views of a toothed drive pulley showing my new design; FIGS. 3-6 are respectively side elevational views thereof; and FIGS. 7 and 8 are respectively top and bottom plan views thereof.

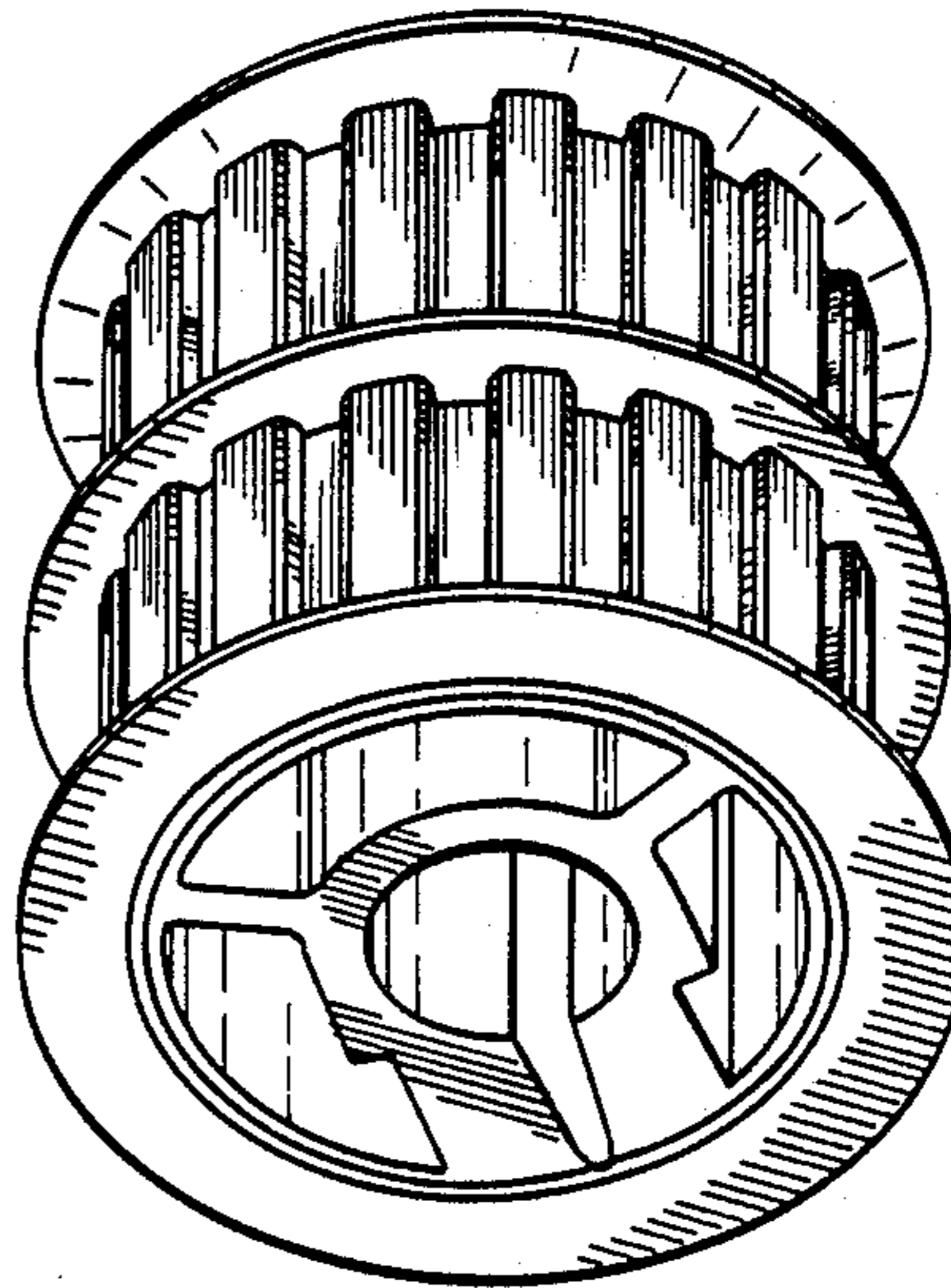
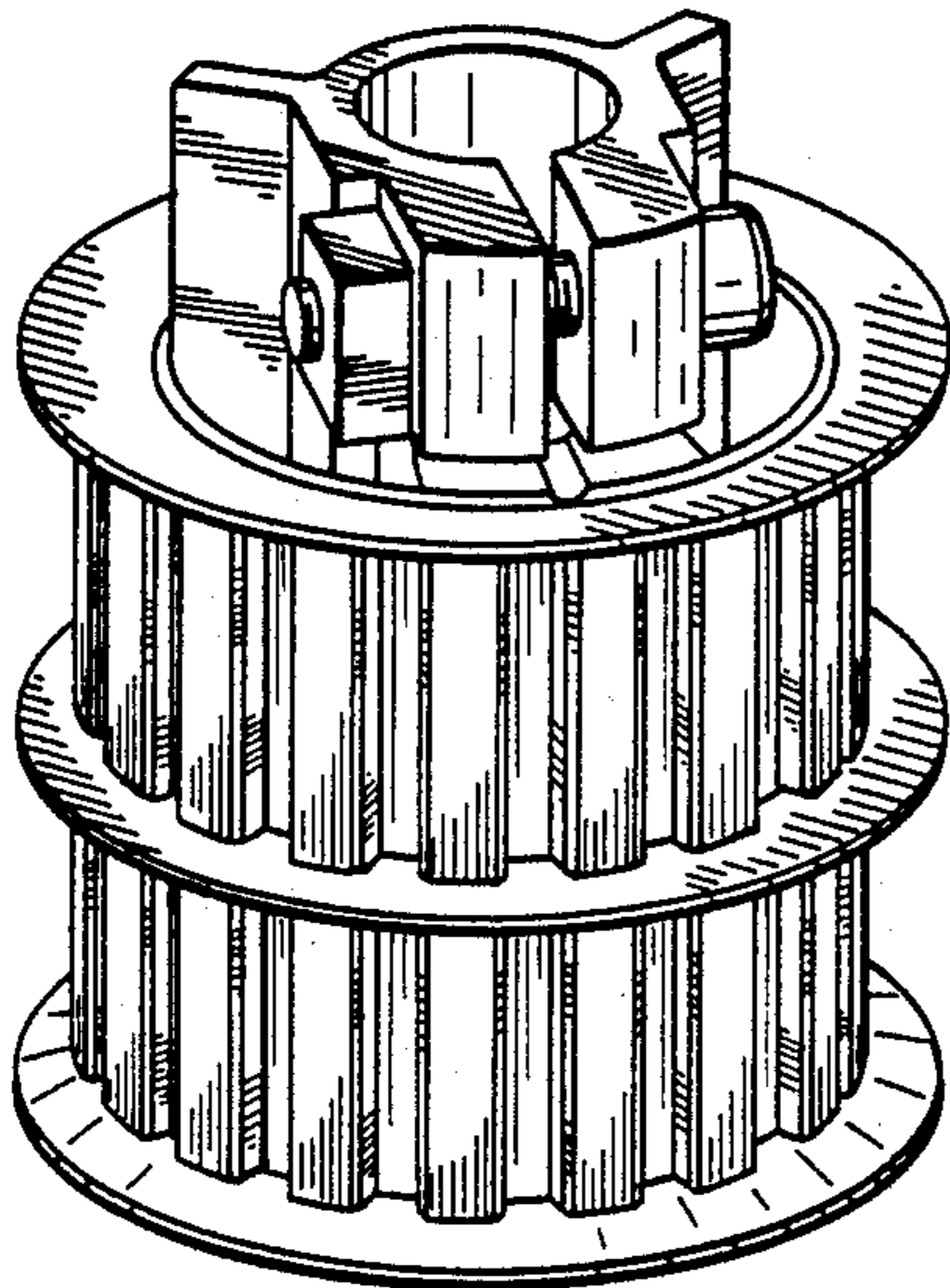


FIG. 1

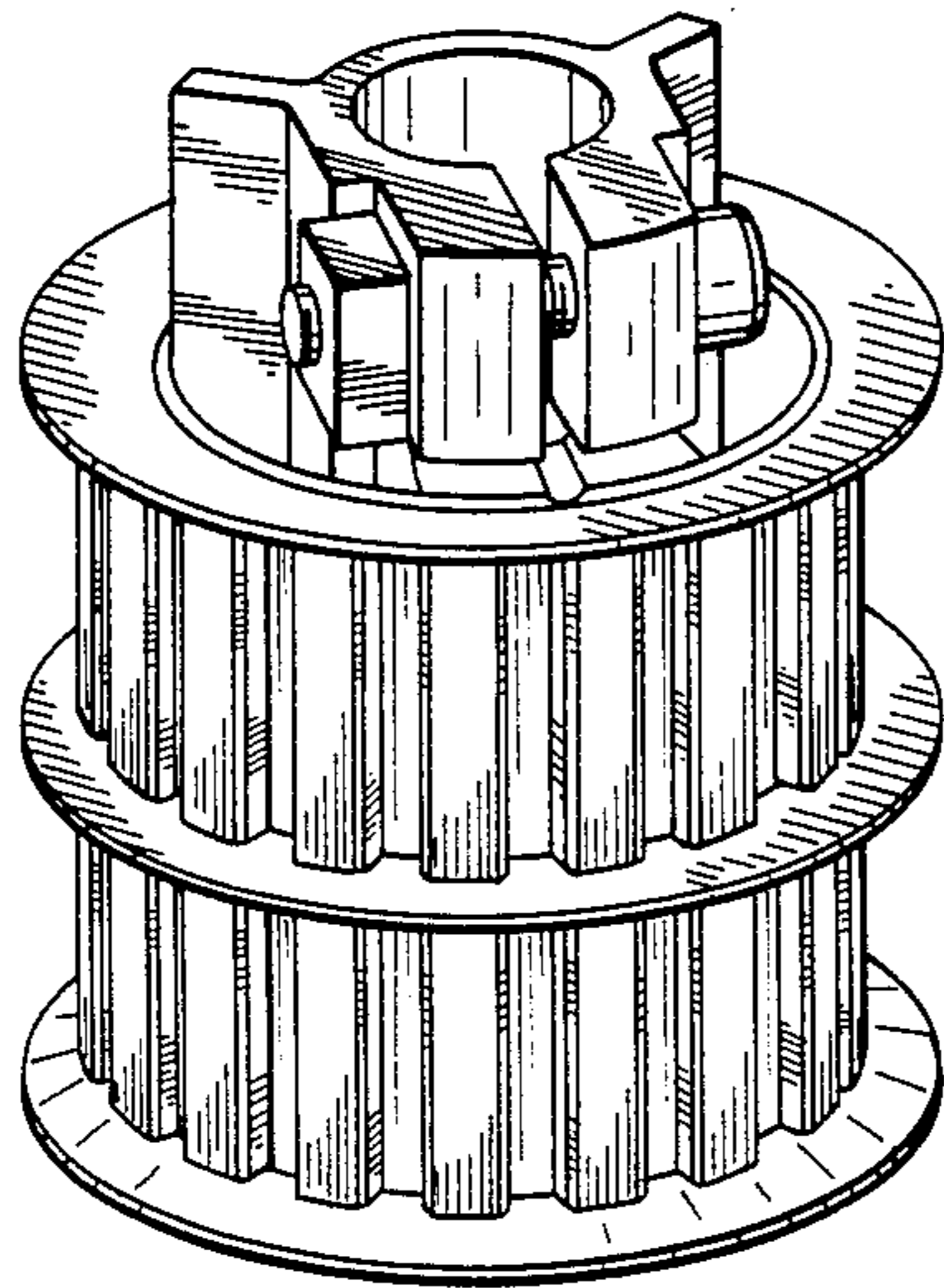


FIG. 2

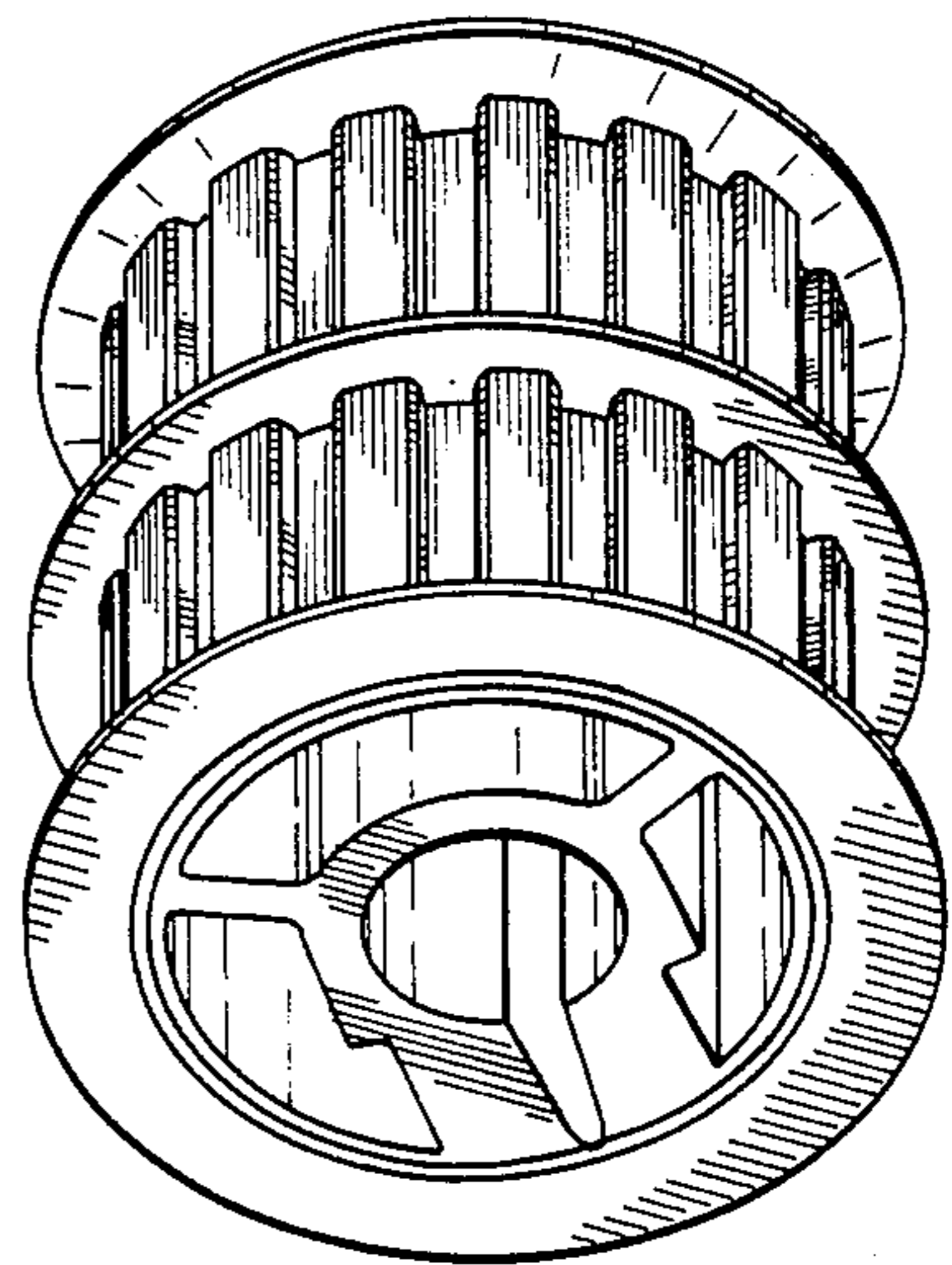


FIG. 3

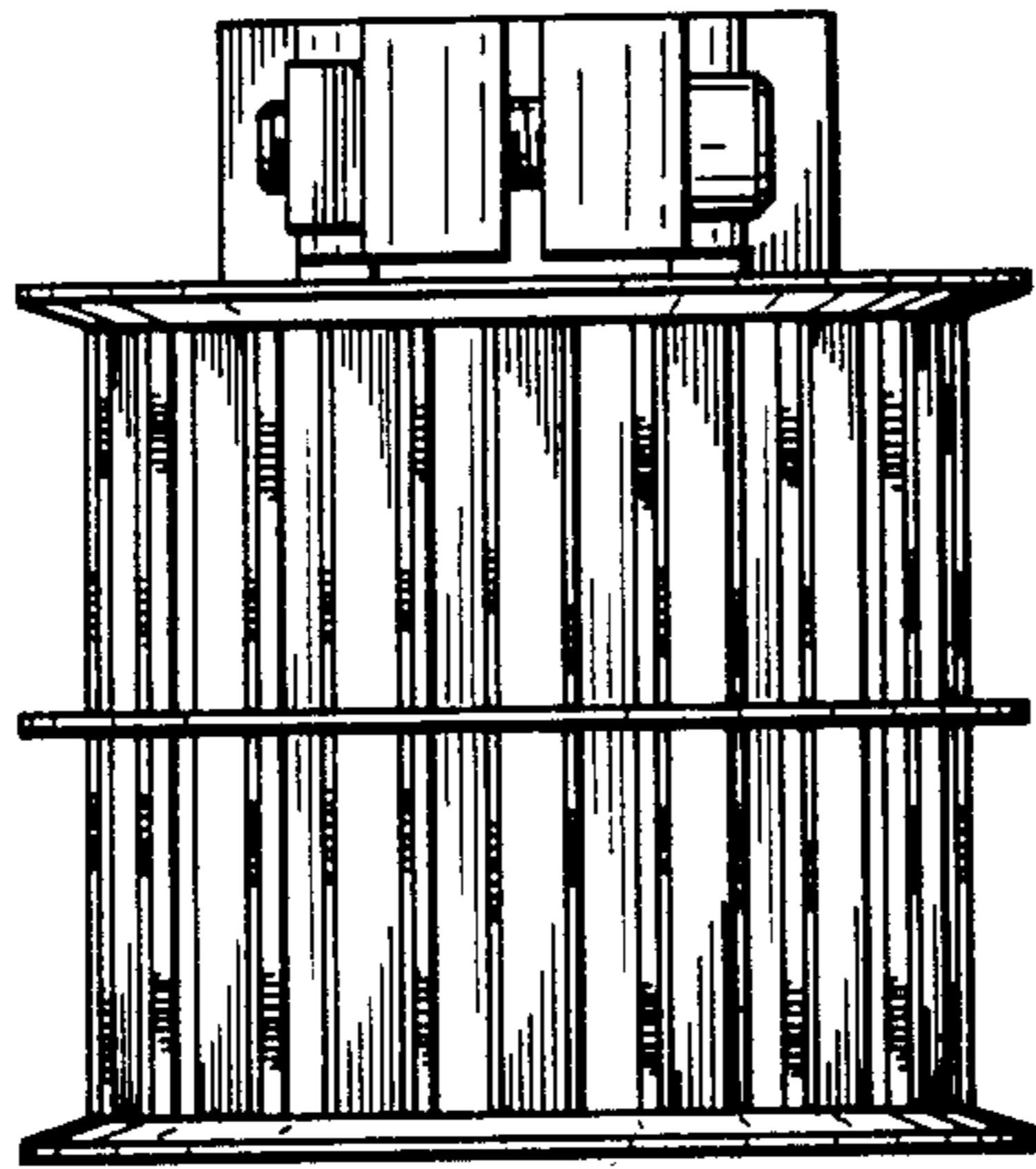


FIG. 4

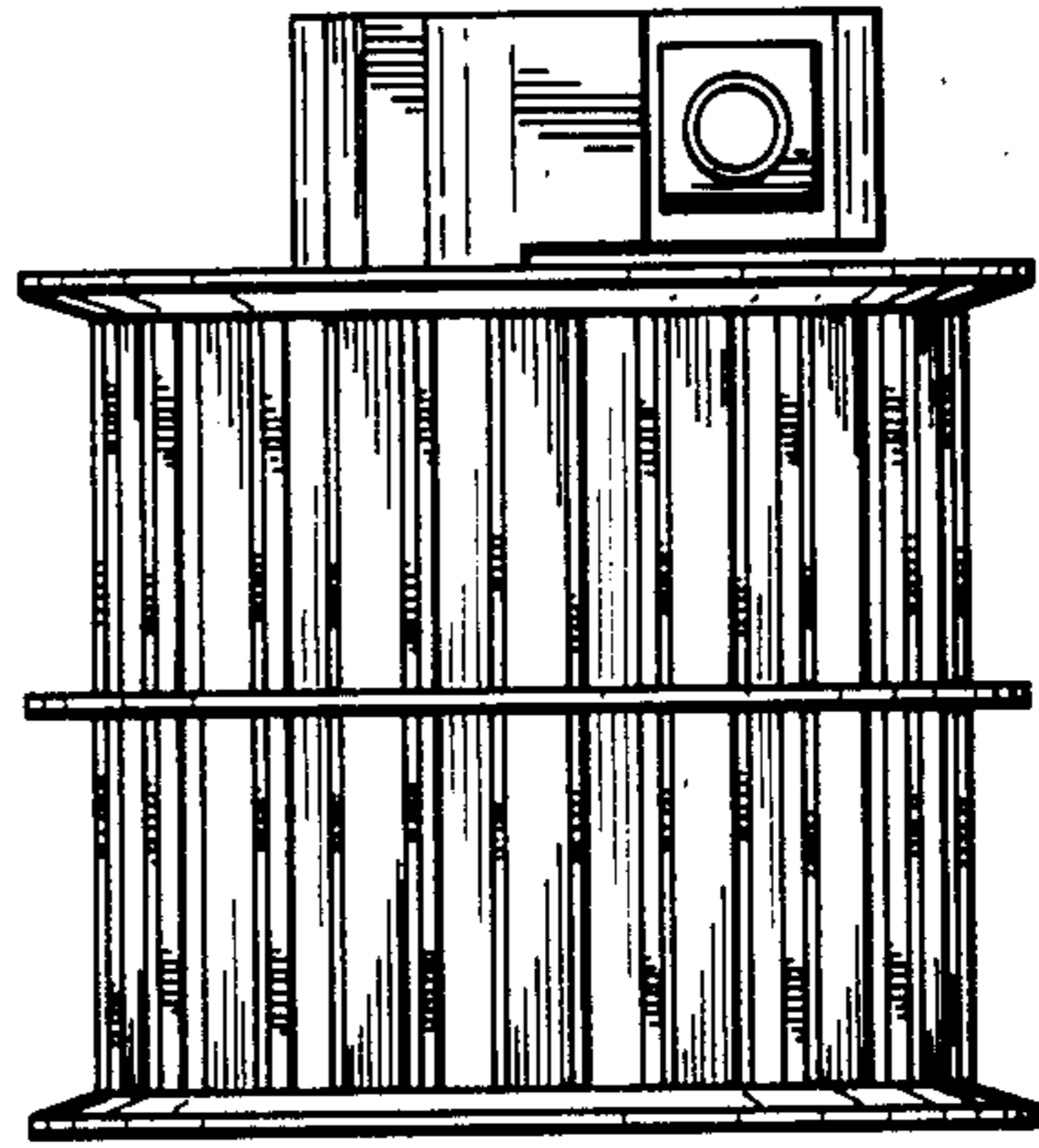


FIG. 5

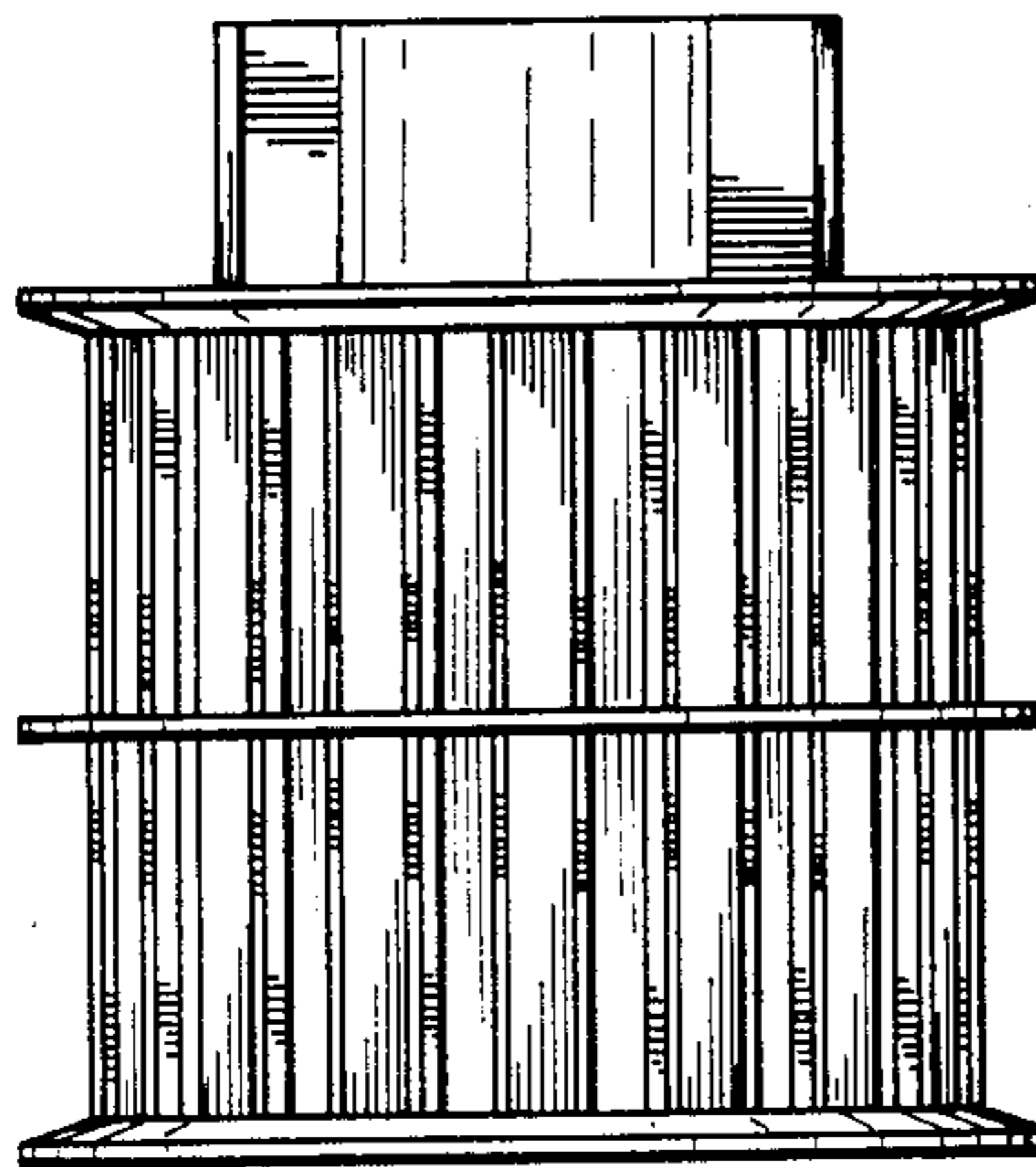


FIG. 6

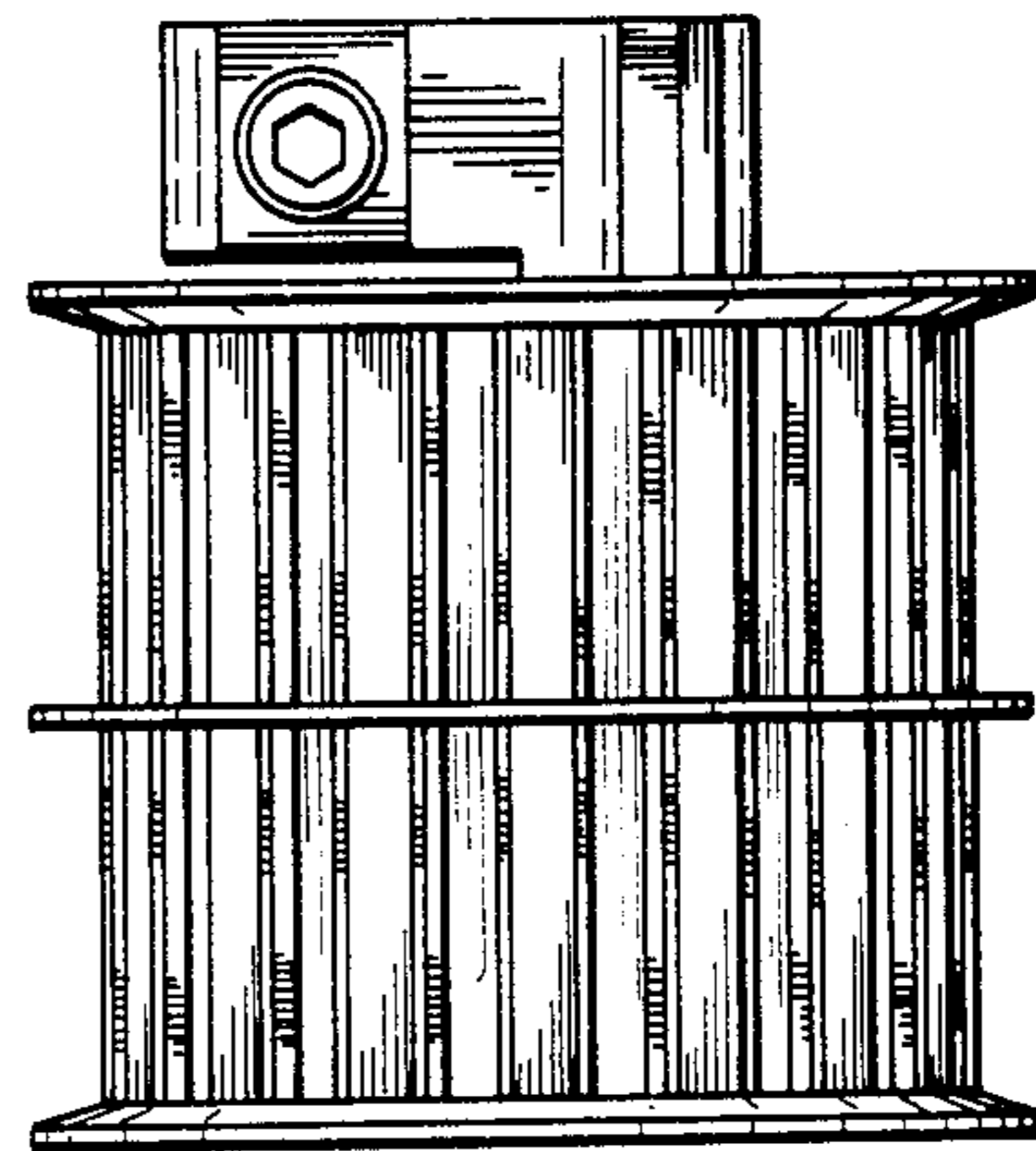


FIG. 7

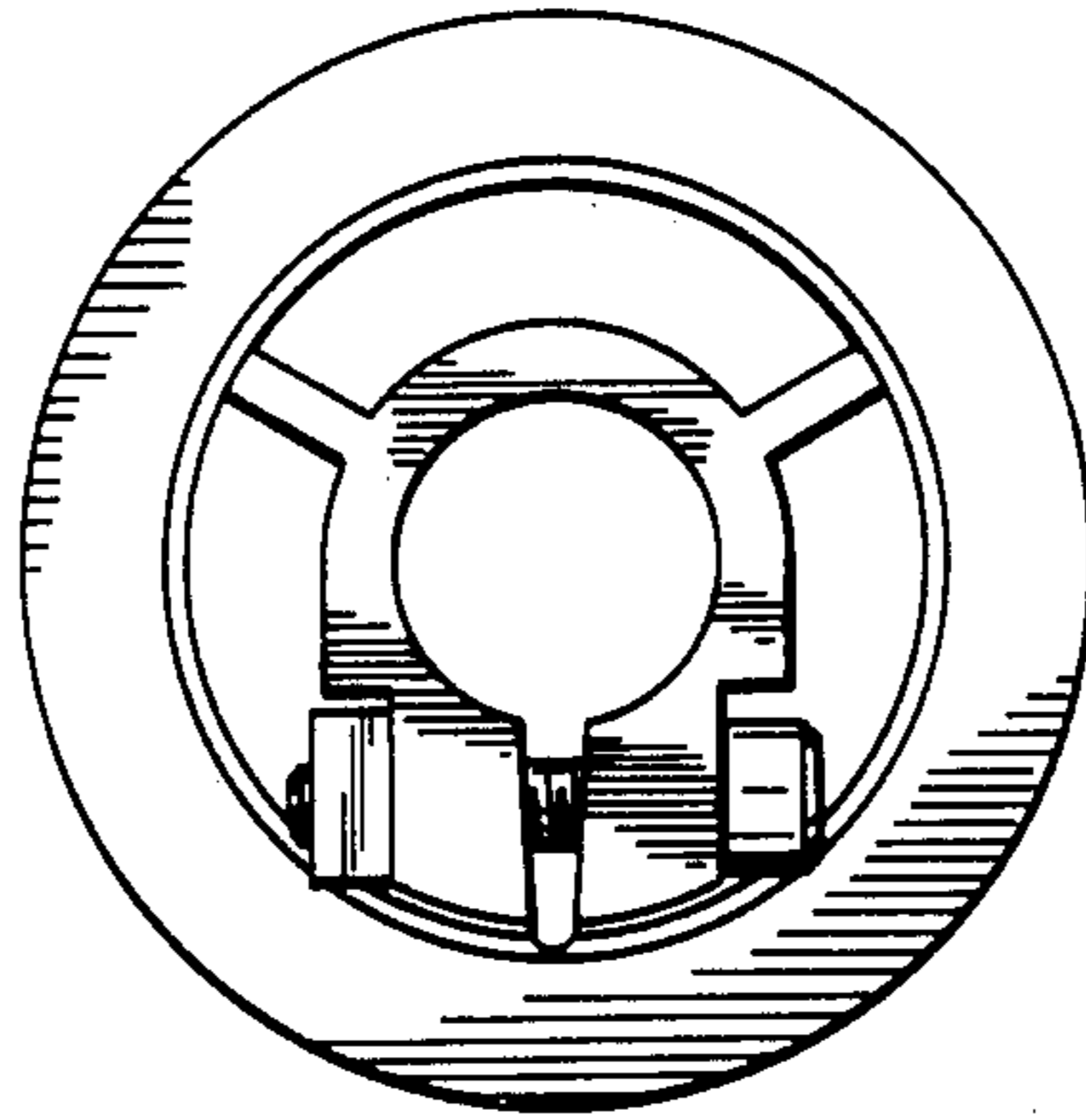


FIG. 8

