

[54] SOLDER GUN

[75] Inventor: Robert W. Arehart, Cook County, Ill.

[73] Assignee: Emerson Electric Co., St. Louis, Mo.

[\*\*] Term: 14 Years

[21] Appl. No.: 818,132

[22] Filed: Jan. 13, 1986

[52] U.S. Cl. .... D8/30

[58] Field of Search ..... D8/30, 61, 68, 70;  
219/69 R, 74-75, 76.16, 86.21, 121 PQ, 134,  
227, 229, 233, 236.38

[56] References Cited

U.S. PATENT DOCUMENTS

- D. 155,294 9/1949 Kuehl ..... D8/30
- D. 182,630 4/1958 Sivacek ..... D8/30

- D. 196,047 8/1963 Madl ..... D8/30
- 3,881,087 4/1975 Nicosia ..... 219/233

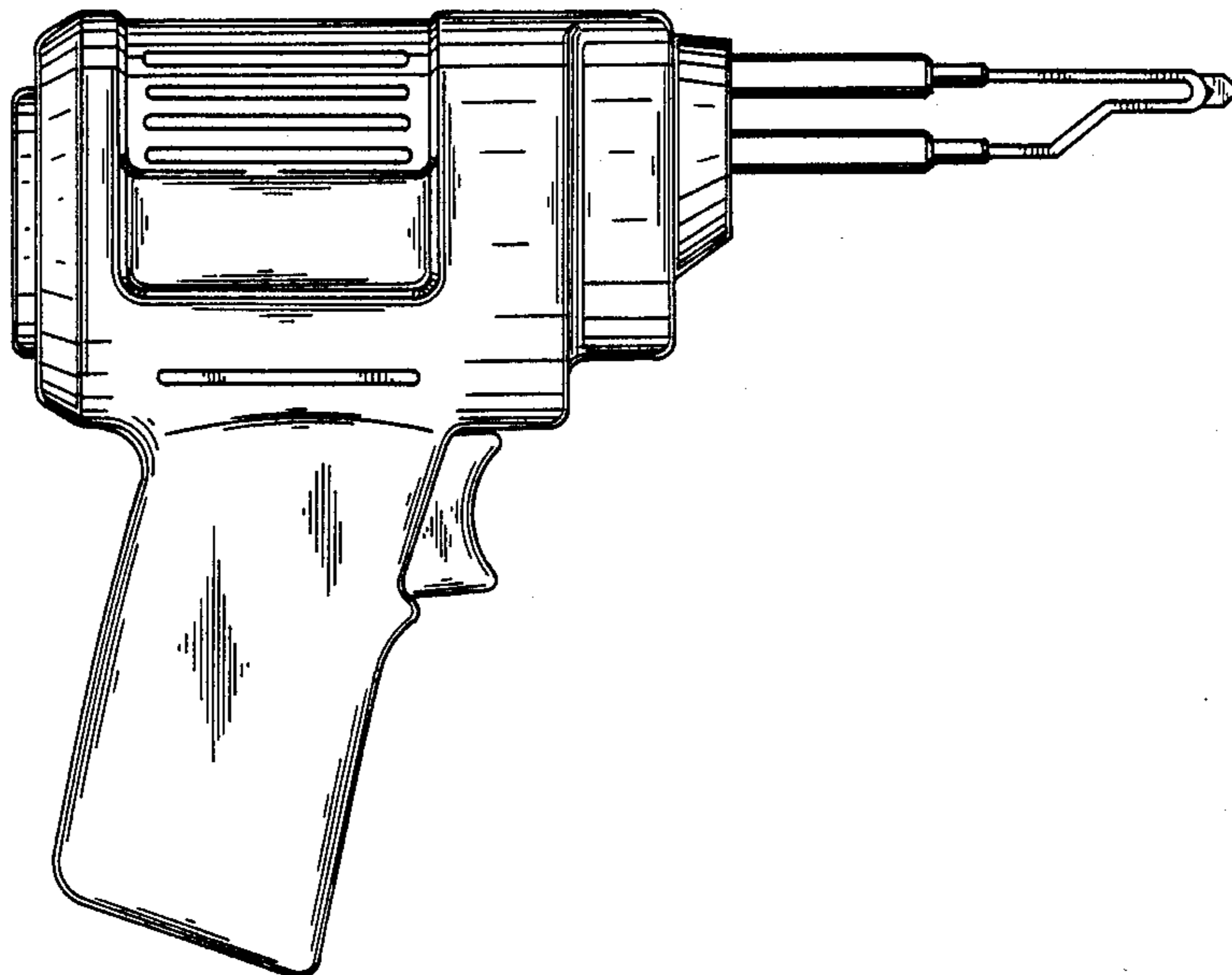
Primary Examiner—Wallace R. Burke  
Assistant Examiner—Brian N. Vinson  
Attorney, Agent, or Firm—Polster, Polster and Lucchesi

[57] CLAIM

The ornamental design for solder gun, as shown and described.

DESCRIPTION

FIG. 1 is a right side elevational view of a solder gun showing my new design, the left side being a mirror image thereof;  
FIG. 2 is a front end elevational view thereof;  
FIG. 3 is a rear end elevational view thereof;  
FIG. 4 is a top plan view thereof; and  
FIG. 5 is a bottom plan view thereof.



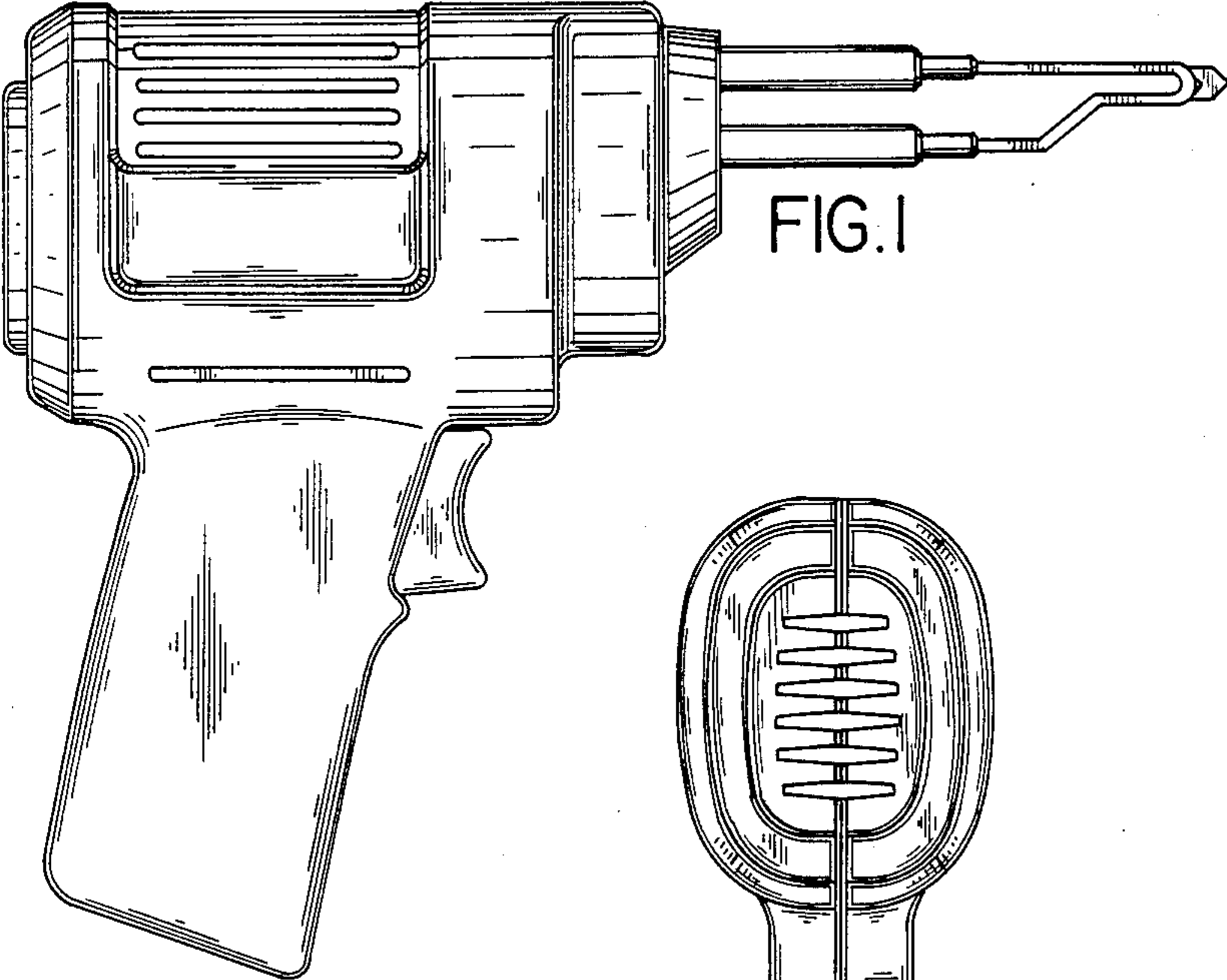


FIG. 1

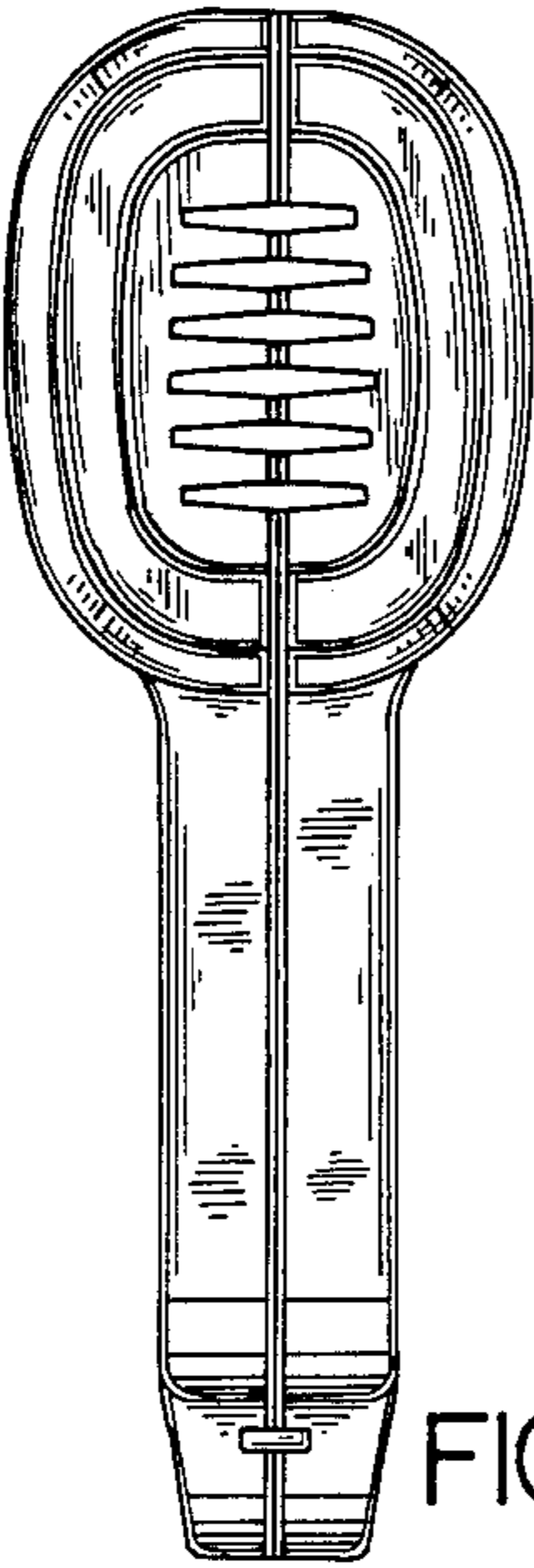


FIG. 3

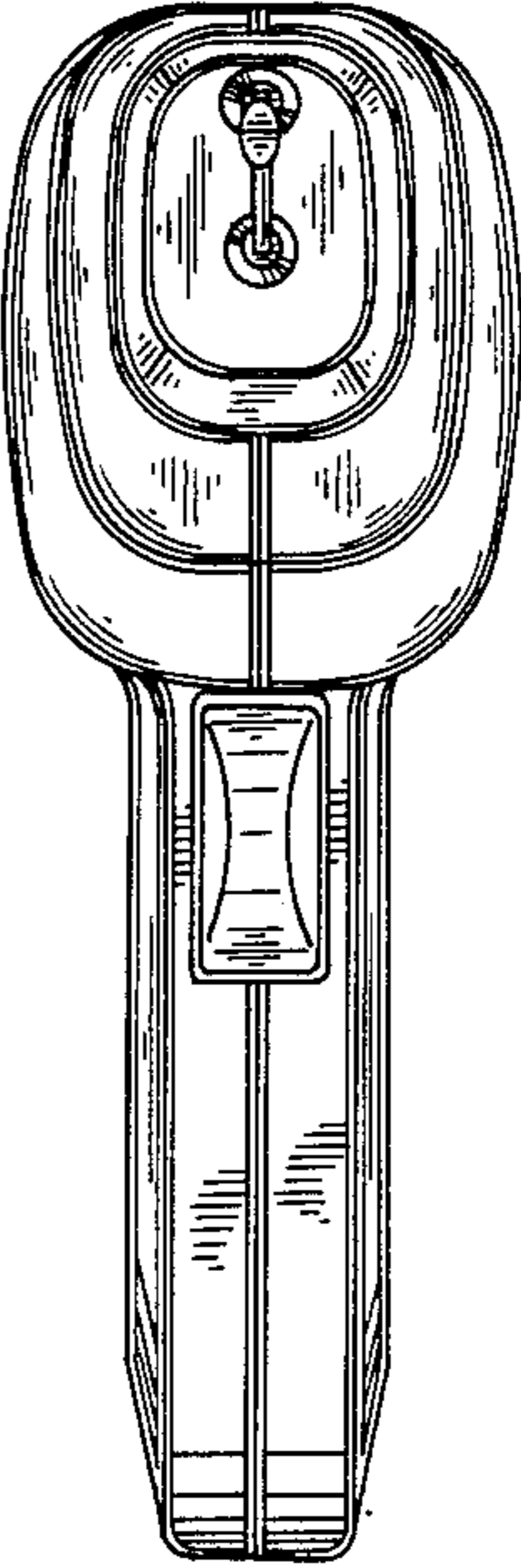


FIG. 2

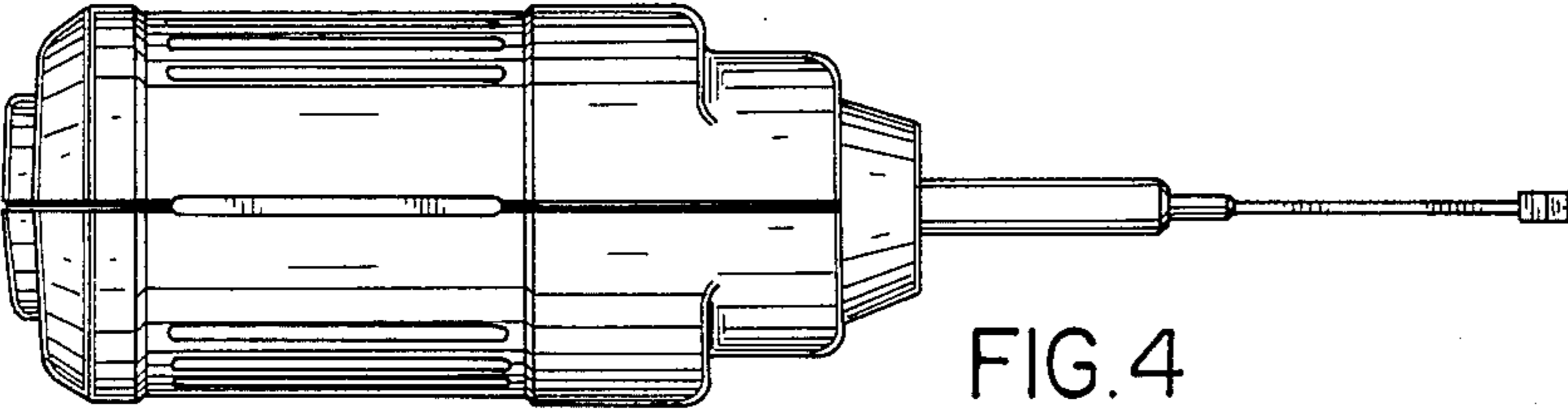


FIG. 4

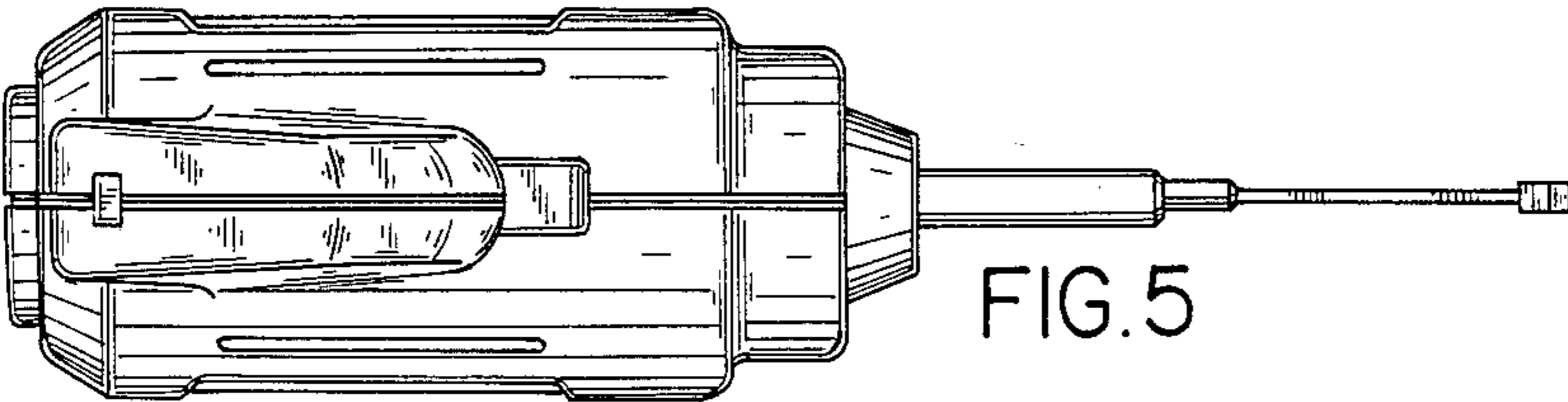


FIG. 5