

United States Patent [19]

Arehart

[11] Patent Number: **Des. 299,207**

[45] Date of Patent: **** Jan. 3, 1989**

[54] **SOLDER GUN**

[75] Inventor: **Robert W. Arehart, Cook County, Ill.**

[73] Assignee: **Emerson Electric Co., St. Louis, Mo.**

[**] Term: **14 Years**

[21] Appl. No.: **818,087**

[22] Filed: **Jan. 13, 1986**

[52] U.S. Cl. **D8/30**

[58] Field of Search **D8/30, 61, 68, 70;**
219/69 R, 74-75, 76.16, 86.21, 121 PQ, 134,
227, 229, 233, 236-238

[56] **References Cited**

U.S. PATENT DOCUMENTS

D. 155,294 9/1949 Kuehl D8/30
D. 182,630 4/1958 Sivacek D8/30

D. 196,047 8/1963 Madl D8/30
3,881,087 4/1975 Nicosia 219/233

Primary Examiner—Wallace R. Burke
Assistant Examiner—Brian N. Vinson
Attorney, Agent, or Firm—Polster, Polster and Lucchesi

[57] **CLAIM**

The ornamental design for solder gun, as shown and described.

DESCRIPTION

FIG. 1 is a right side elevational view of a solder gun showing my new design, the left side being a mirror image thereof;
FIG. 2 is a front end elevational view thereof;
FIG. 3 is a rear end elevational view thereof;
FIG. 4 is a top plan view thereof; and
FIG. 5 is a bottom plan view thereof.

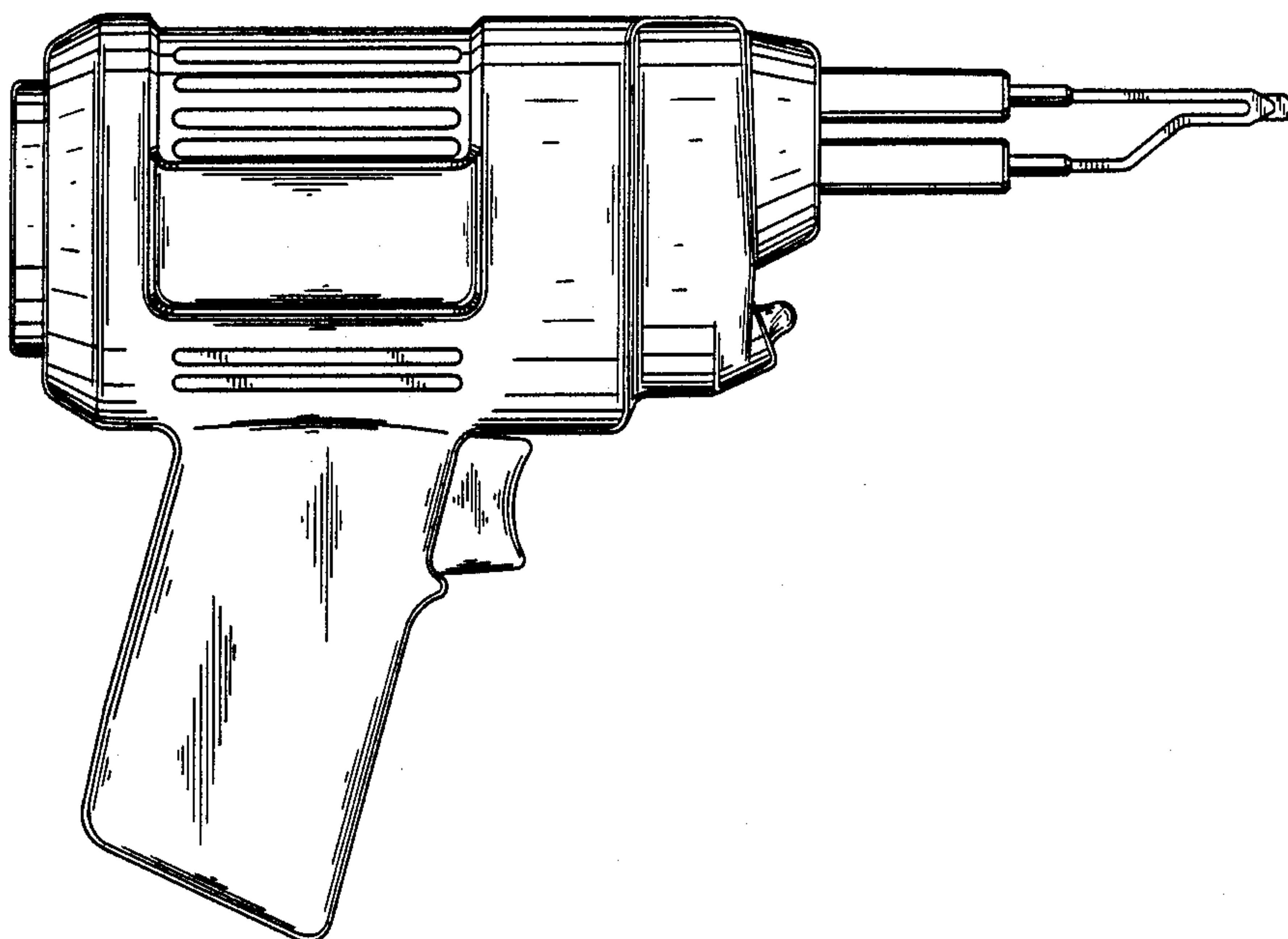


FIG. 1

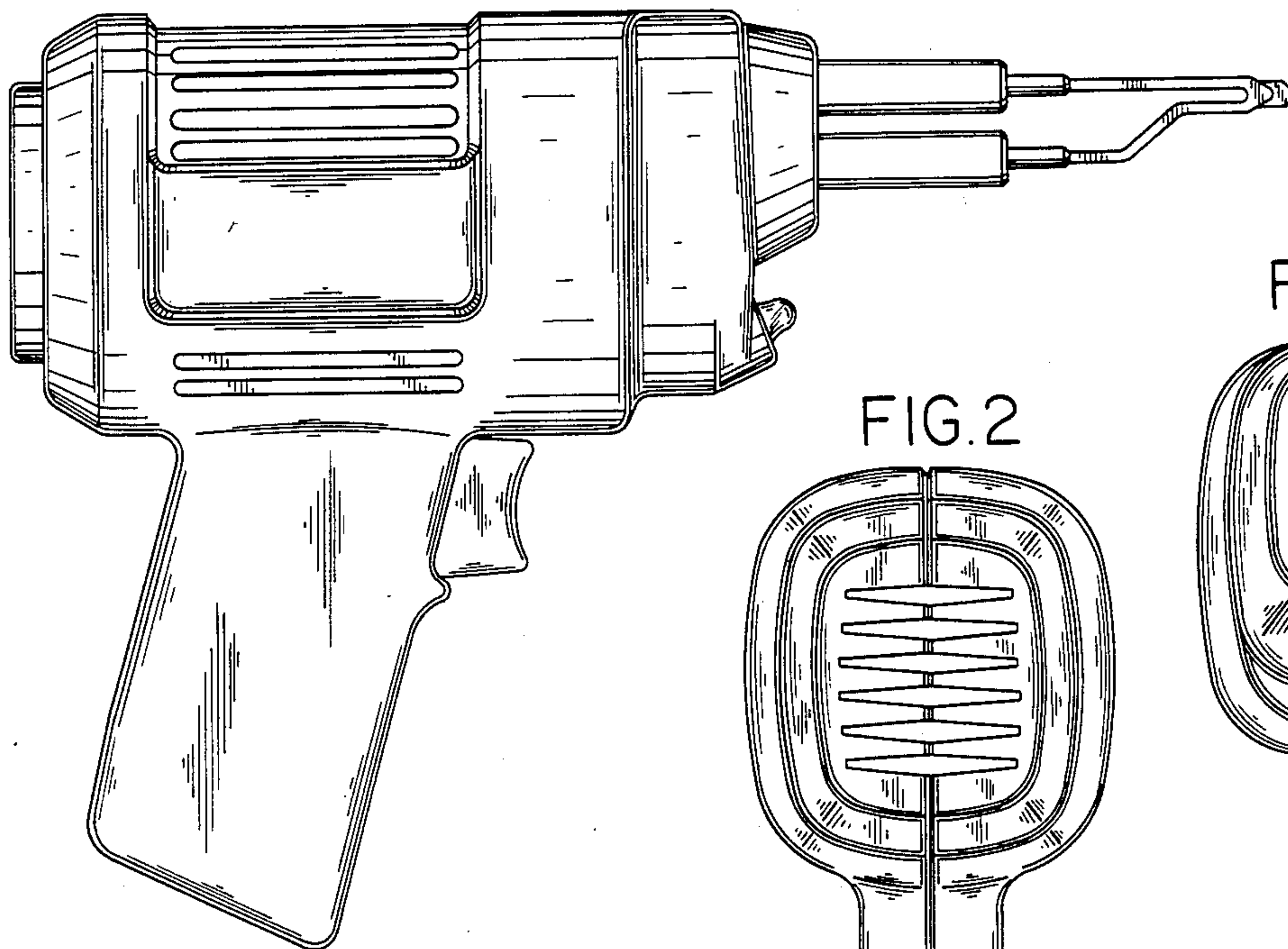


FIG. 2

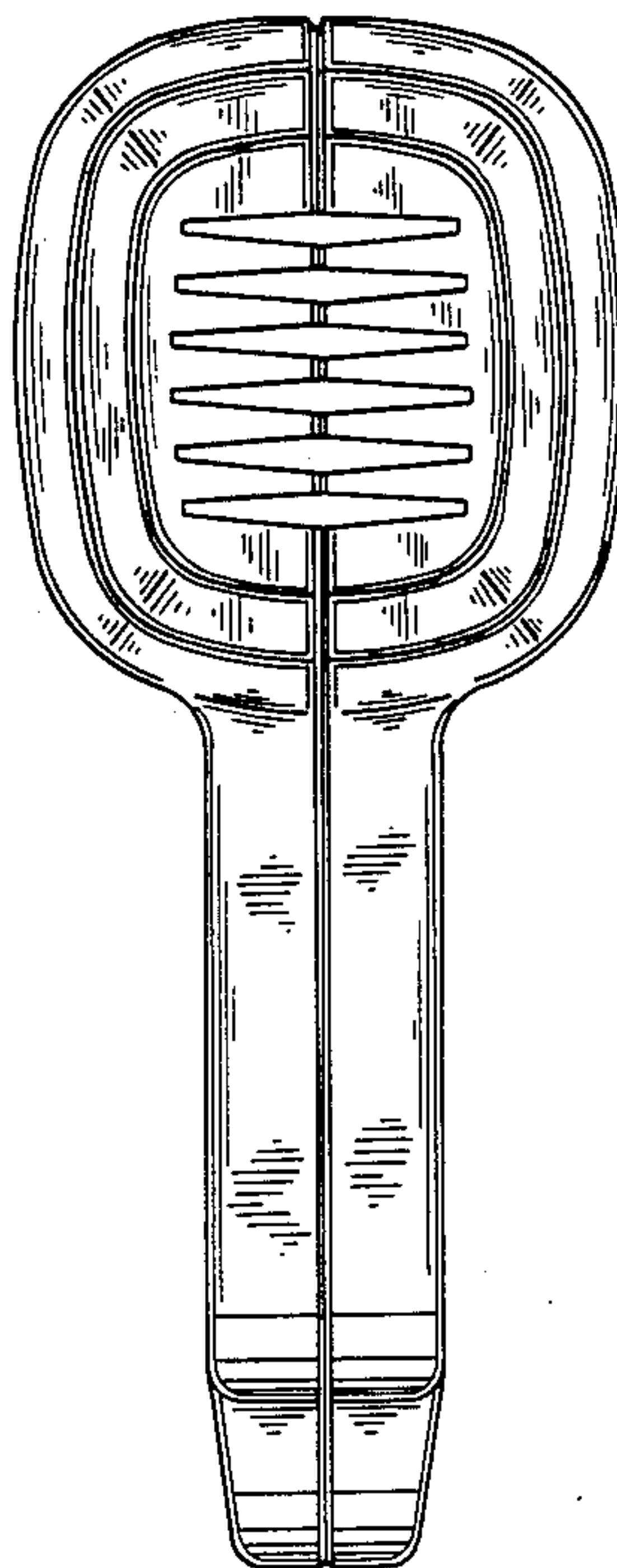


FIG. 3

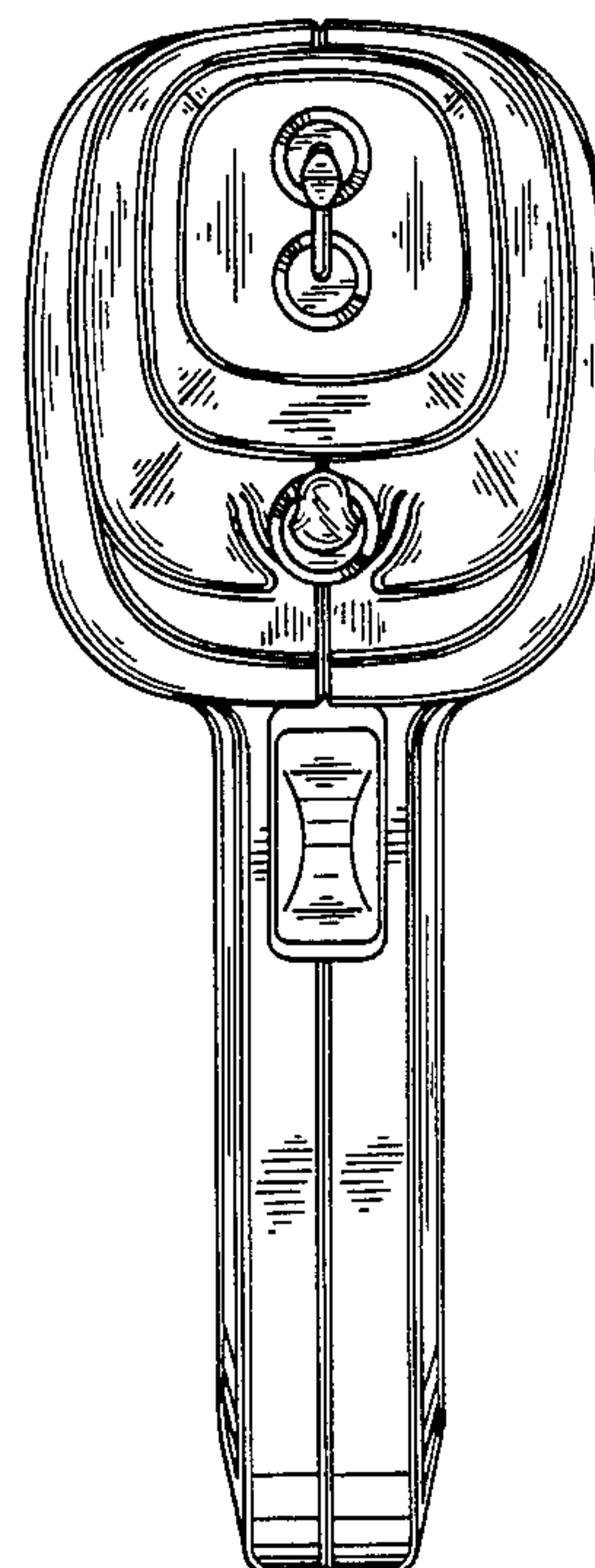


FIG. 4

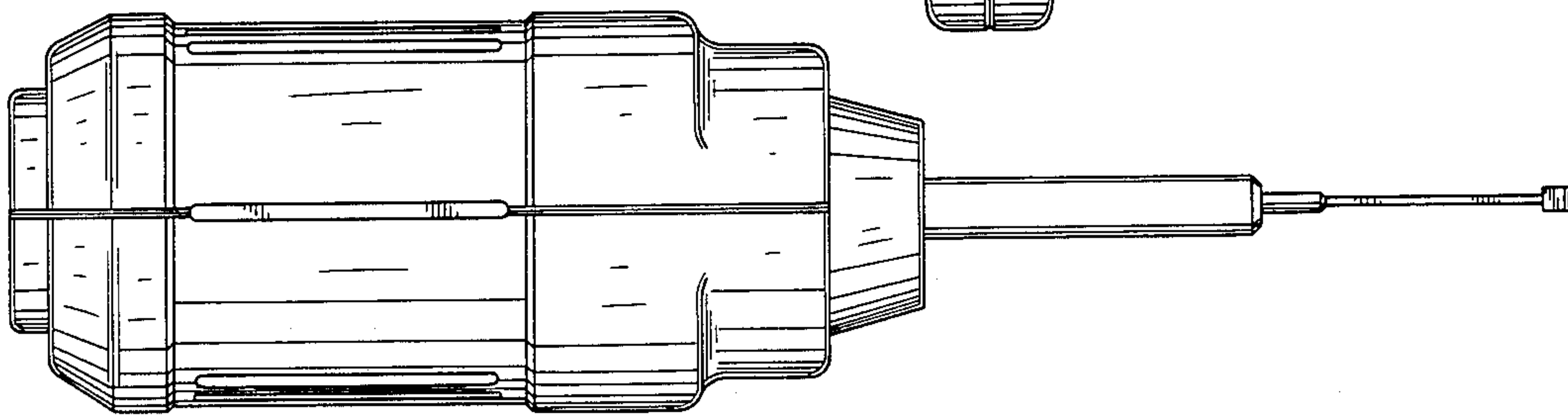


FIG. 5

