

[54] STEMMED WINE GLASS OR SIMILAR ARTICLE

[76] Inventor: Jean-Jacques Durand, LaBute 62510, Arques, France

[**] Term: 14 Years

[21] Appl. No.: 804,993

[22] Filed: Nov. 13, 1985

[52] U.S. Cl. D7/13

[58] Field of Search D7/11-15, D7/6-8

[56] References Cited

U.S. PATENT DOCUMENTS

- D. 82,910 12/1930 Schaub D7/13
- D. 179,010 10/1956 Kimble D7/13

FOREIGN PATENT DOCUMENTS

- 3227303 2/1984 Fed. Rep. of Germany D7/11

OTHER PUBLICATIONS

Bloomingdale's Buy Ways, p. 5, Sasaki's Flower

Show/A, "Lily of the Valley", B Midsummer, C. Printemps, all Goblets.

Bloomingdale's Buy Ways, p. 29, Mikasa 3, A, top row—"Classic Flair" Stemware.

Schoner Wohnen, Aug. 1981, p. SW74, Peill-Kristall, "Venezia" von Peill, all Stemware shown.

Schoner Wohnen, Apr., 1984, p. 57, Christallerie Zwiessel, all Stemware shown.

Primary Examiner—Winifred E. Herrmann

Attorney, Agent, or Firm—Kimmel, Crowell & Weaver

[57] CLAIM

The ornamental design for a stemmed wine glass or similar article, as shown and described.

DESCRIPTION

FIG. 1 is a side elevational view of a stemmed wine glass or similar article showing my new design;

FIG. 2 is a top plan view thereof;

FIG. 3 is a vertical cross-sectional view thereof taken along line 3—3 of FIG. 2, looking in the direction of the arrows; and

FIG. 4 is a bottom plan view thereof.

The stippled shading on the stem represents a frosted surface contrast.

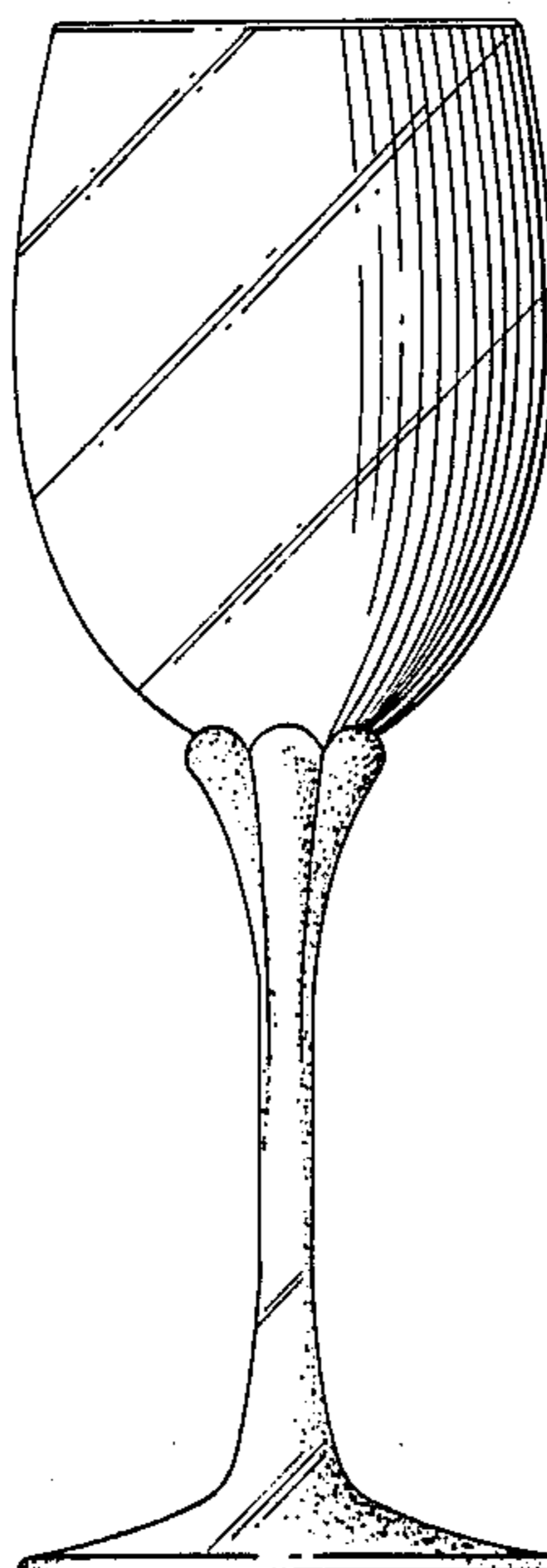


FIG. 1.

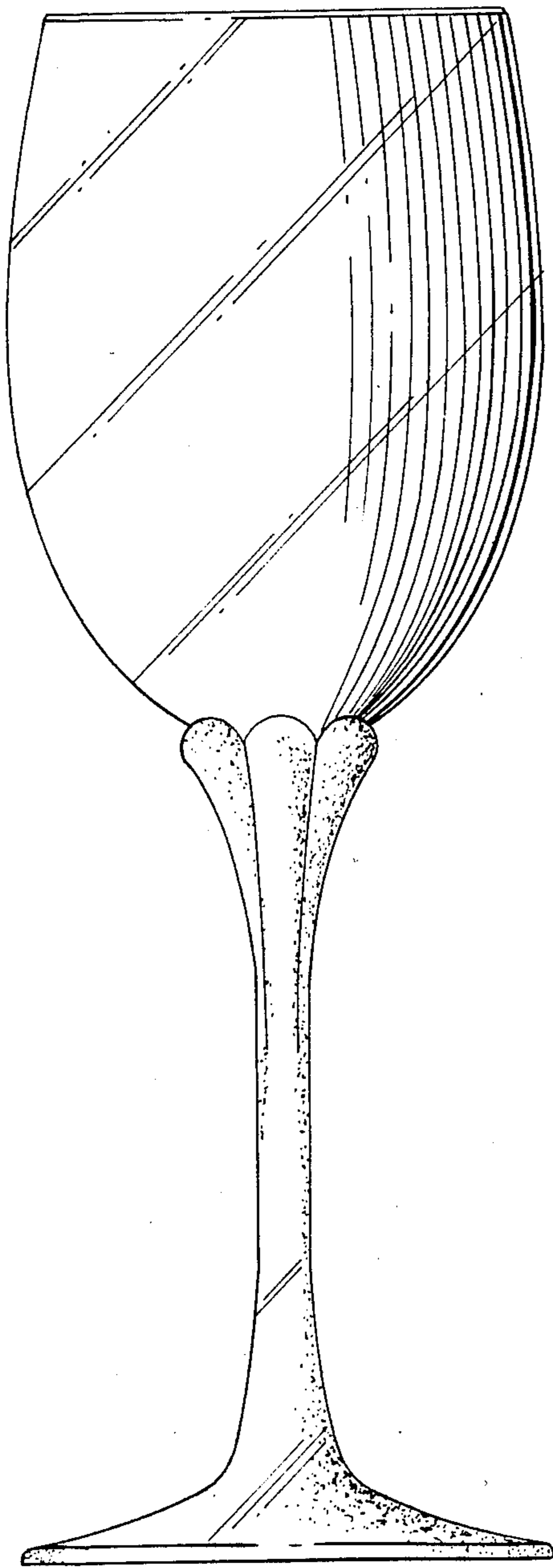


FIG. 3.

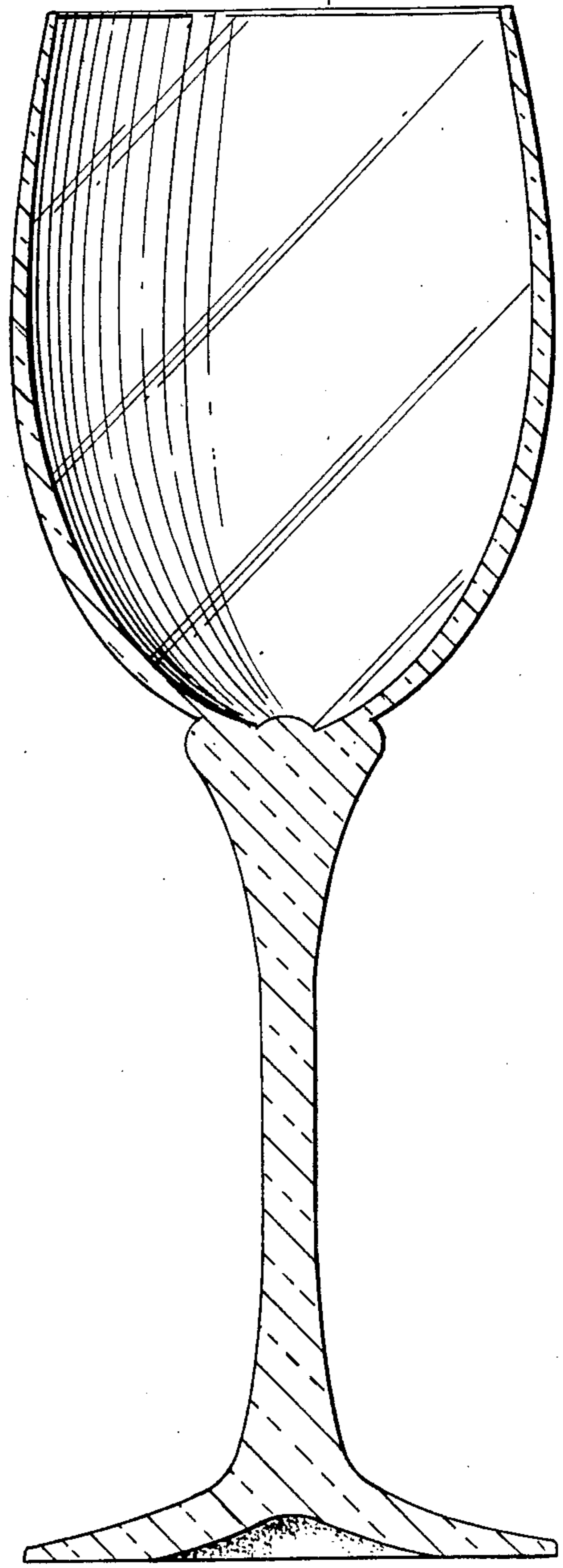


FIG. 2.

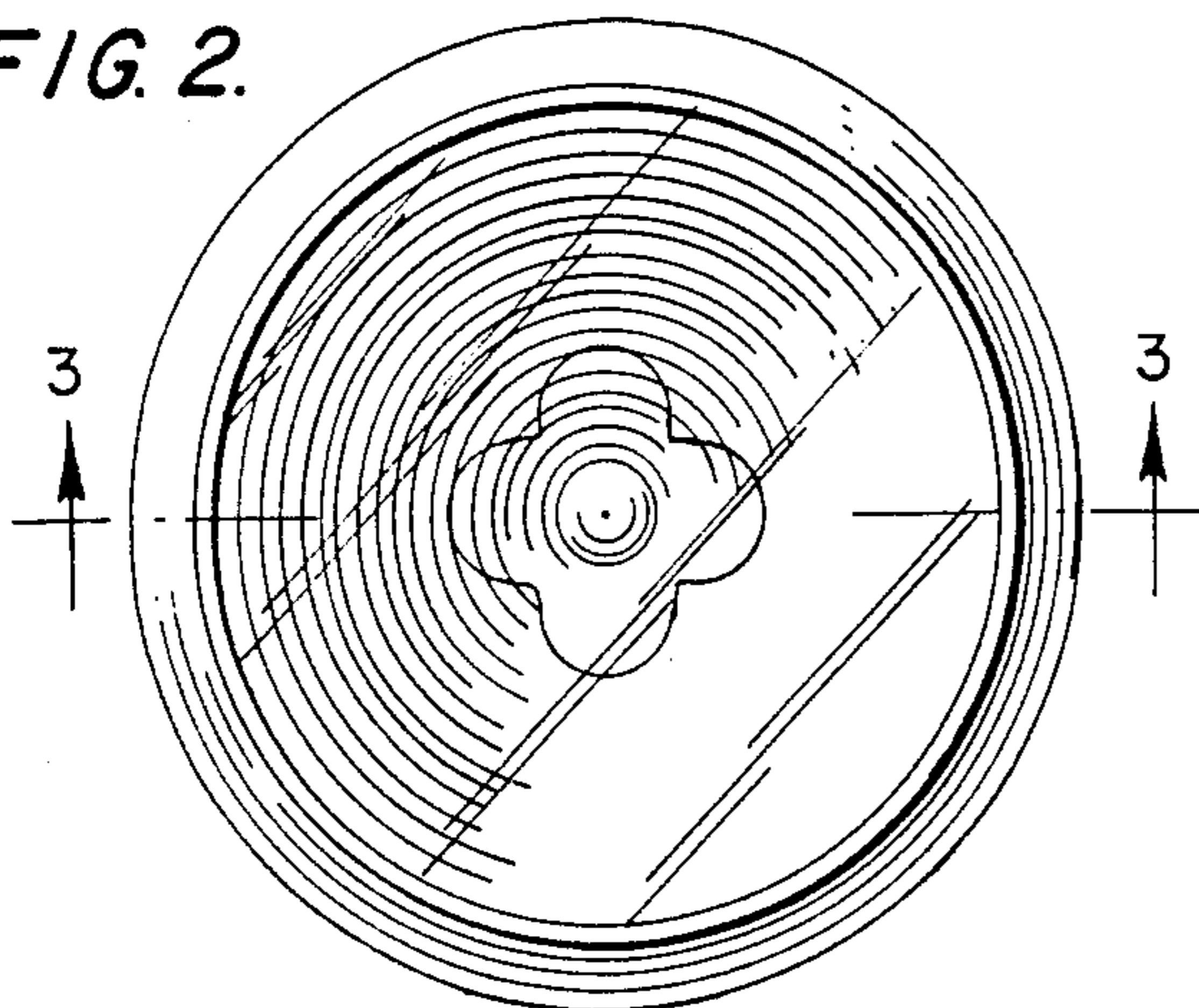


FIG. 4.

