

[54] **BOW HOLDER**

[76] **Inventor:** Alan M. Rogowski, 730 W. Armour Ave., Milwaukee, Wis. 53221

[**] **Term:** 14 Years

[21] **Appl. No.:** 838,010

[22] **Filed:** Feb. 28, 1986

[52] **U.S. Cl.** D6/552; D22/107

[58] **Field of Search** D22/107; D6/552;
D8/373, 354; 224/916; 124/23 R, 24 R, 35 A;
D3/38; 248/127, 121

[56] **References Cited**

U.S. PATENT DOCUMENTS

D. 260,674 9/1981 Simmons D22/107 X
D. 281,344 11/1985 Duke D22/107

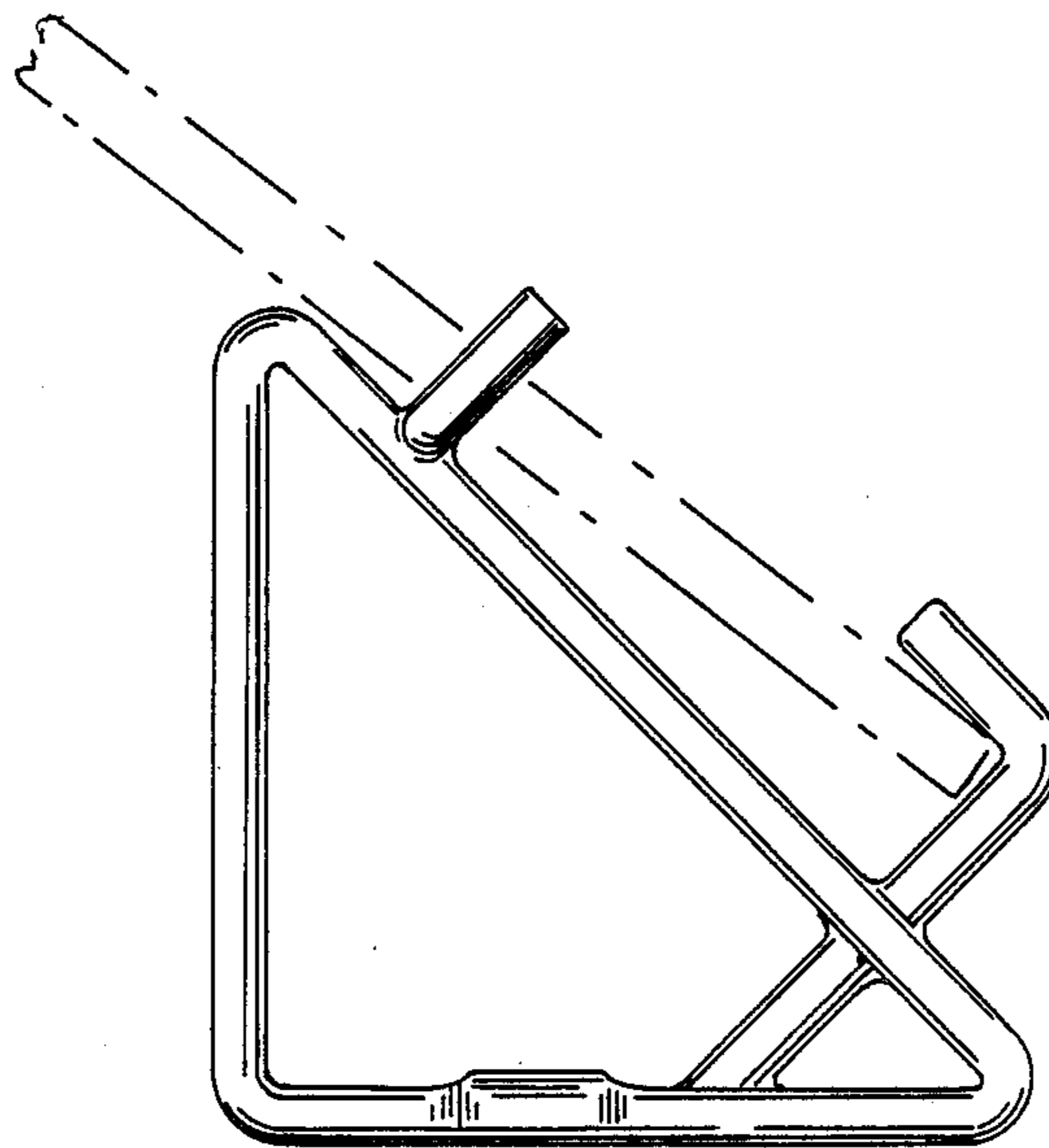
Primary Examiner—A. Hugo Word
Attorney, Agent, or Firm—Andrus, Scales, Starke & Sawall

[57] **CLAIM**

The ornamental design for a bow holder substantially as shown and described.

DESCRIPTION

FIG. 1 is a right side view of a bow holder showing my new design with a portion of a bow shown in phantom; FIG. 2 is a rear view thereof; FIG. 3 is a front view thereof; FIG. 4 is a top view thereof; and FIG. 5 is a bottom view thereof. The broken line showing of the bow is for illustrative purposes only and forms no part of the claimed design.



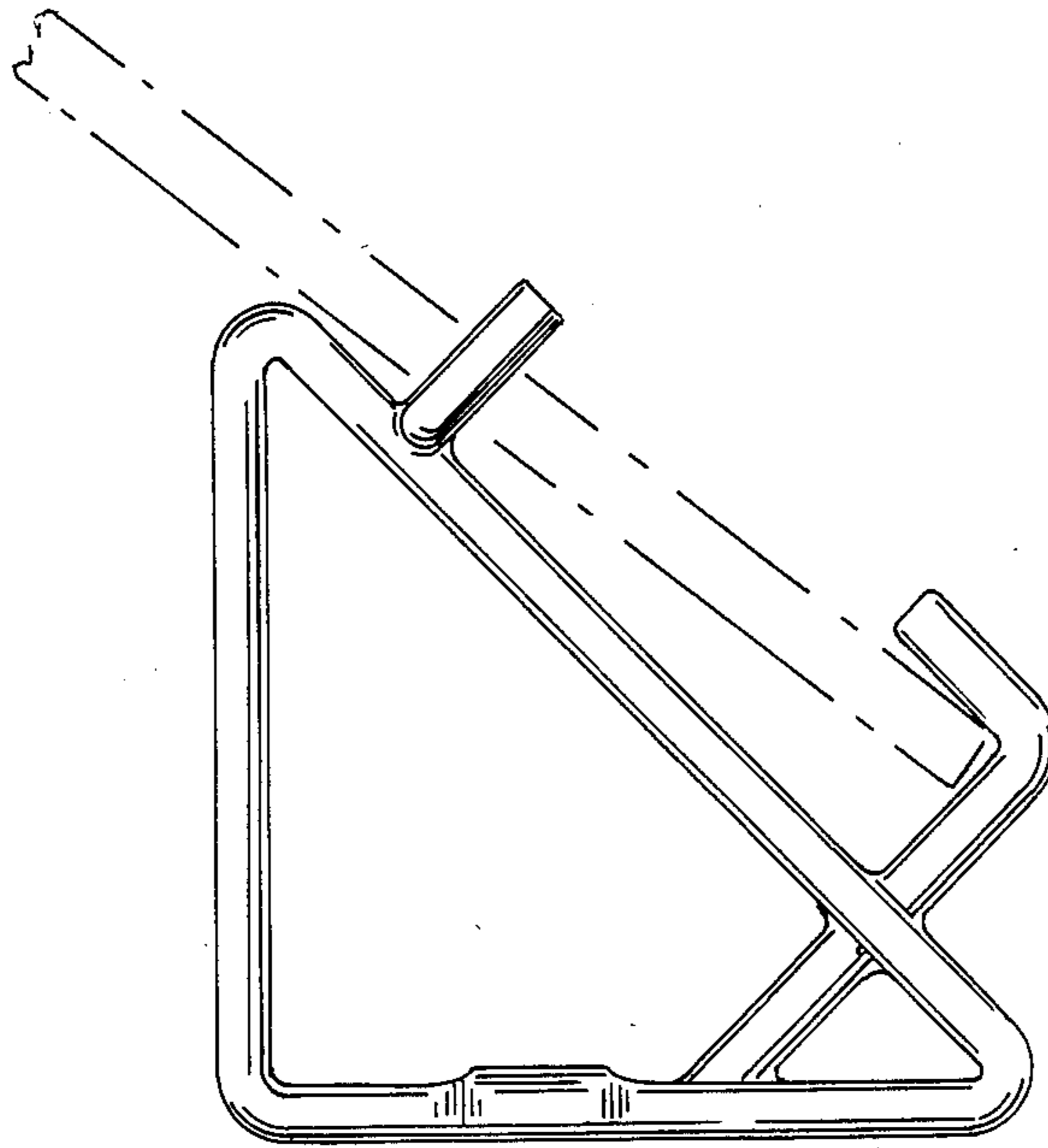


FIG. 1

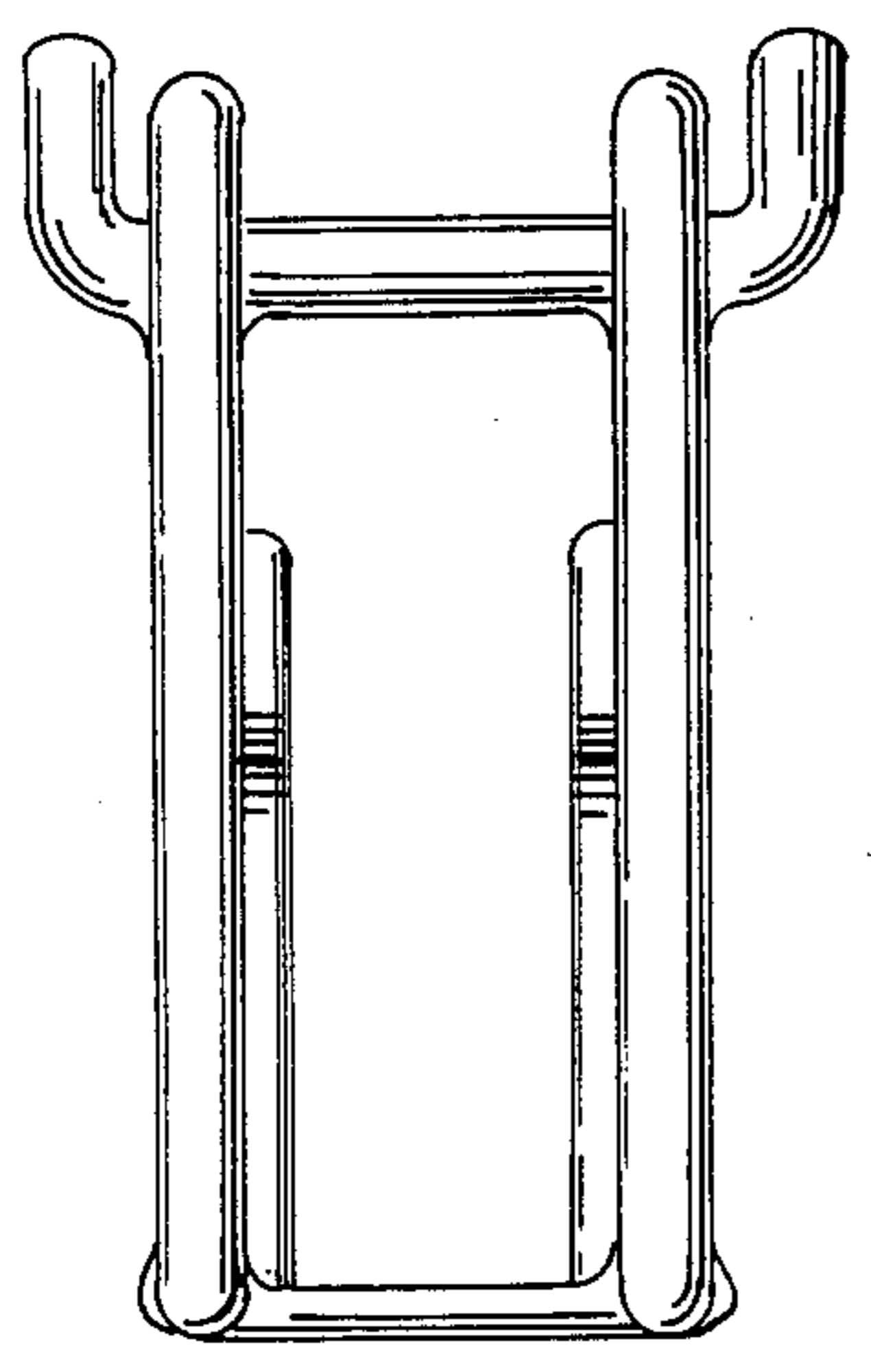


FIG. 2

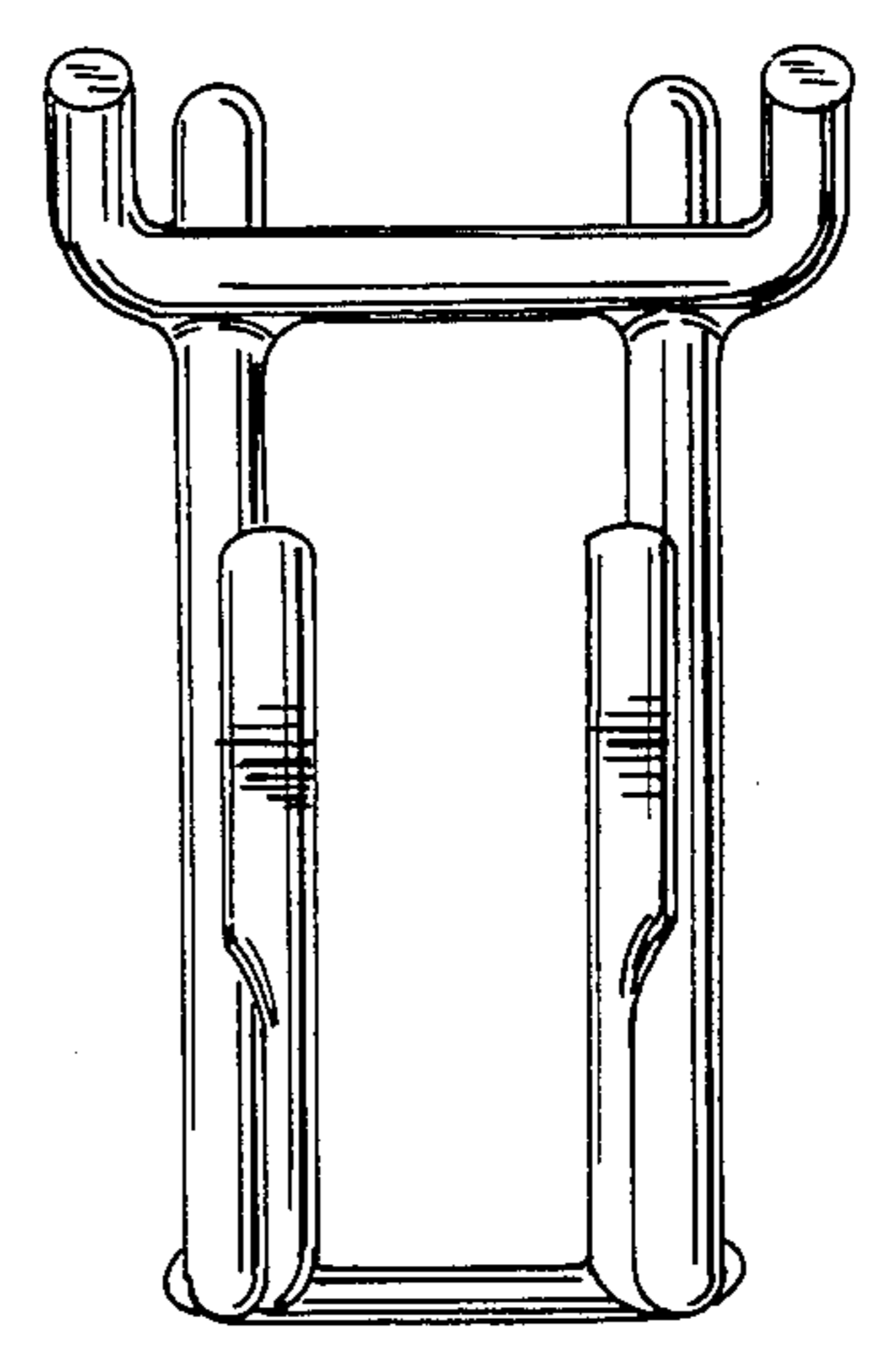


FIG. 3

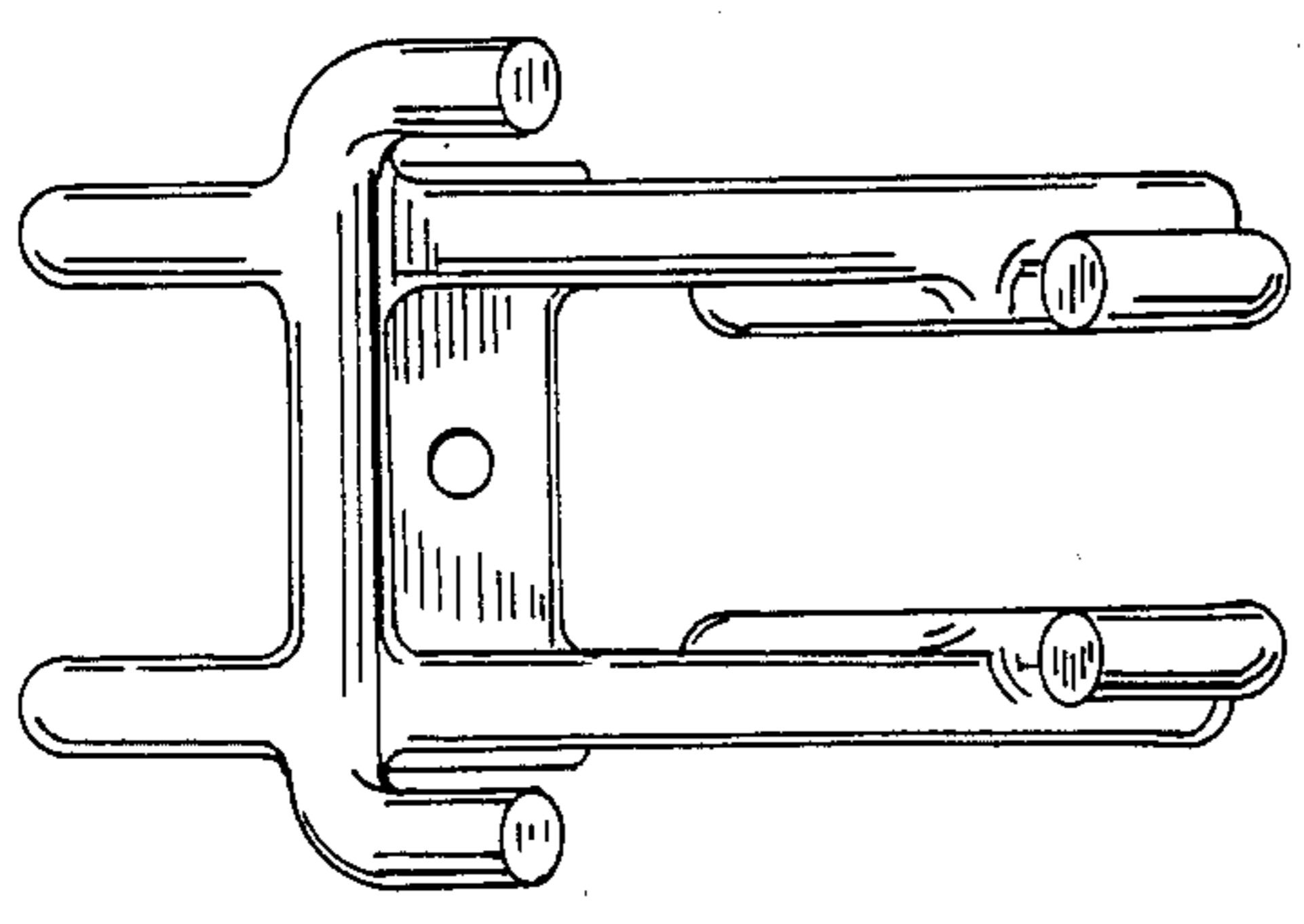


FIG. 4

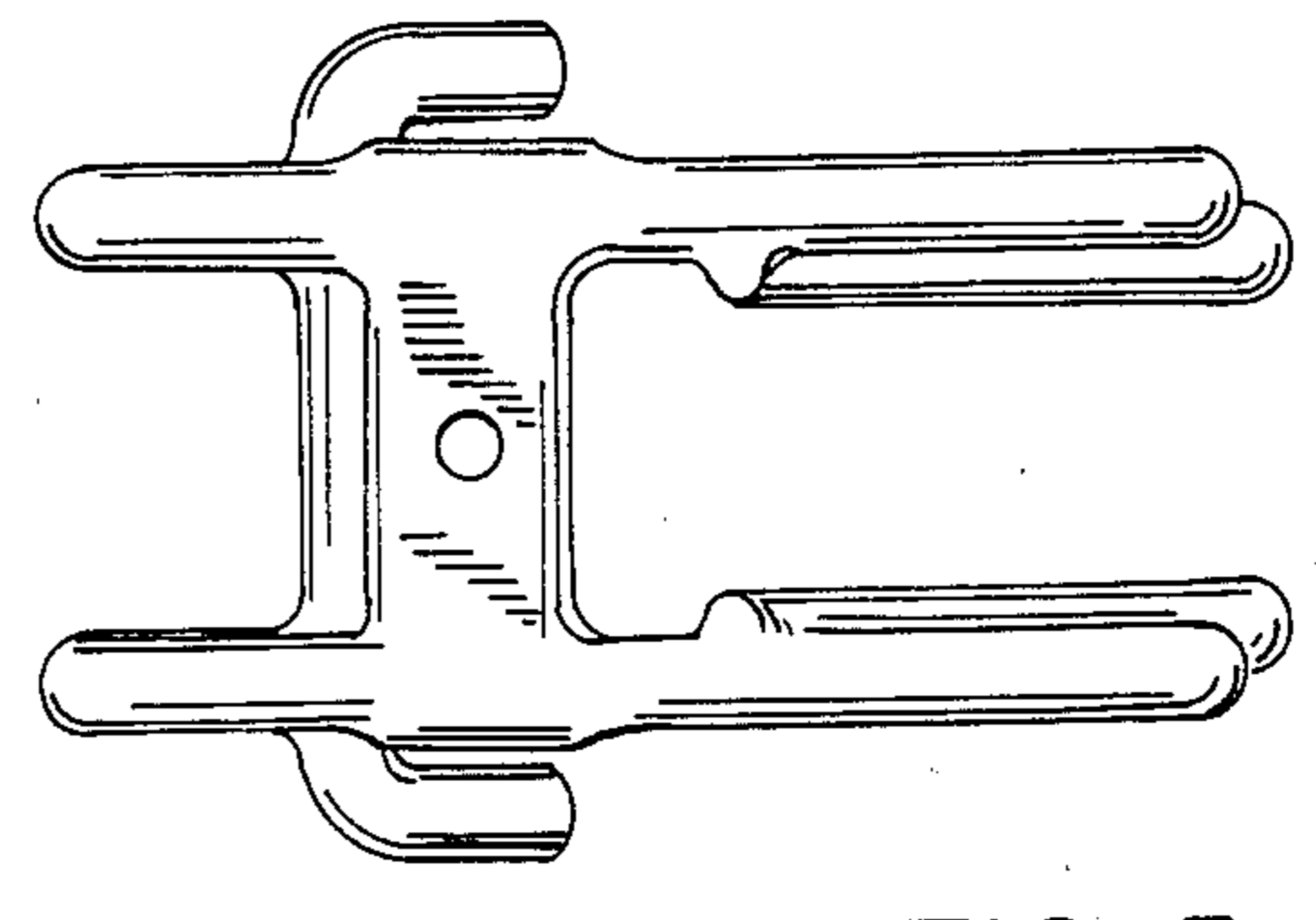


FIG. 5