

[54] **EMBOSSED TELESCOPIC CRANE BOOM SECTION**

[75] Inventor: Vincent Bernabe, Jr., Newville, Pa.

[73] Assignee: Kidde, Inc., Saddle Brook, N.J.

[**] Term: 14 Years

[21] Appl. No.: 826,929

[22] Filed: Feb. 7, 1986

[52] U.S. Cl. D34/36; D12/15

[58] Field of Search D34/36; 414/718; 212/160, 164, 231; 52/632, 634, 636; D12/15

[56] **References Cited**

U.S. PATENT DOCUMENTS

D. 231,205	4/1974	Spain	D34/36
D. 239,097	3/1976	Gardenhour	D34/36
D. 240,719	7/1976	Gardenhour	D34/36
2,984,373	5/1961	Przybylski	414/718
4,003,168	1/1977	Brady	D34/36
4,016,688	4/1977	Tiffin et al.	414/718
4,027,448	6/1977	Tymcturak	52/632
4,337,601	7/1982	Vaerk et al.	52/632

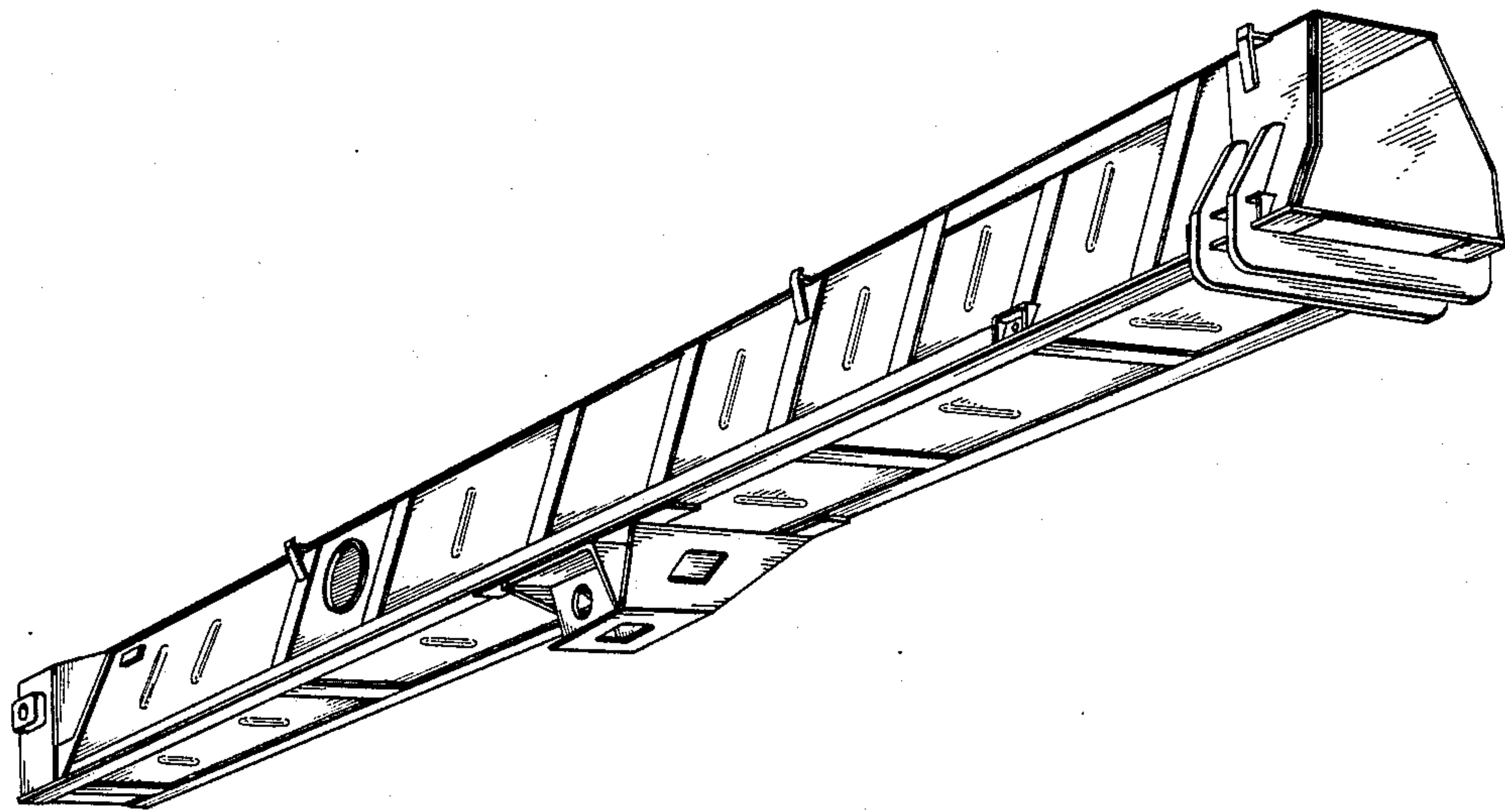
Primary Examiner—Wallace R. Burke
Assistant Examiner—Kay H. Chin
Attorney, Agent, or Firm—Brady, O'Boyle & Gates

[57] **CLAIM**

The ornamental design for an embossed telescopic crane boom section, as shown and described.

DESCRIPTION

FIG. 1 is a perspective view of an embossed telescopic crane boom section showing my new design, the view showing the front, the bottom, and one side thereof; FIG. 2 is a top plan view thereof on a reduced scale; FIG. 3 is a side elevational view, on a reduced scale, showing the opposite side thereof; FIG. 4 is a bottom plan view thereof, on a reduced scale; FIG. 5 is a front elevational view thereof on an enlarged scale; FIG. 6 is a rear elevational view thereof on an enlarged scale; and FIG. 7 is a cross-sectional view thereof on an enlarged scale taken substantially on the line 7—7 of FIG. 3.



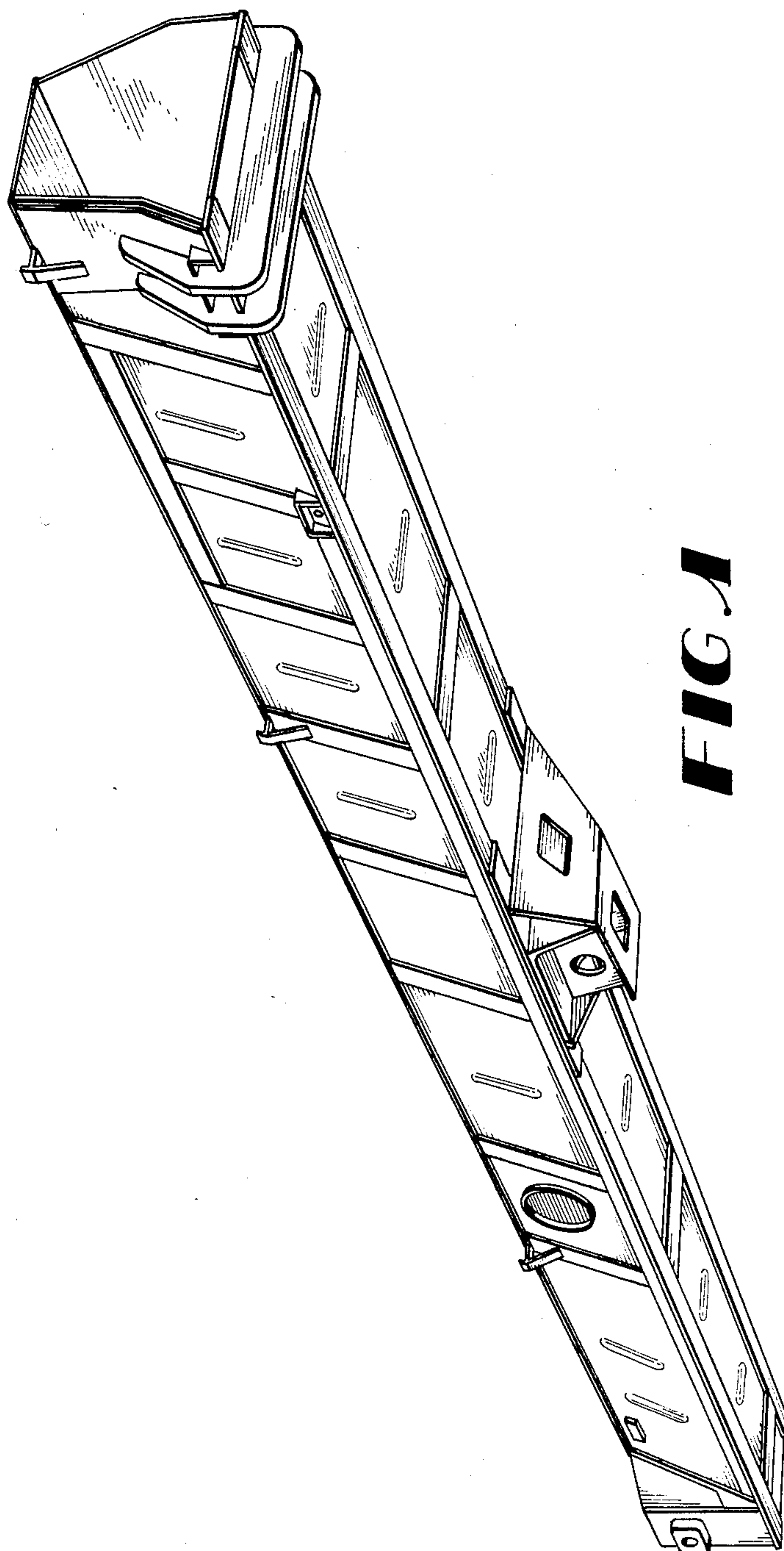


FIG. 1

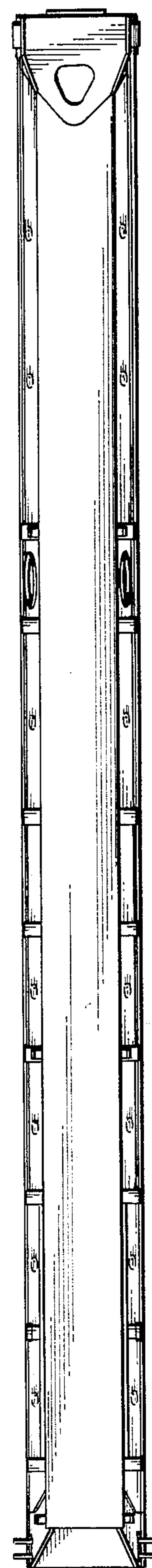


FIG. 2

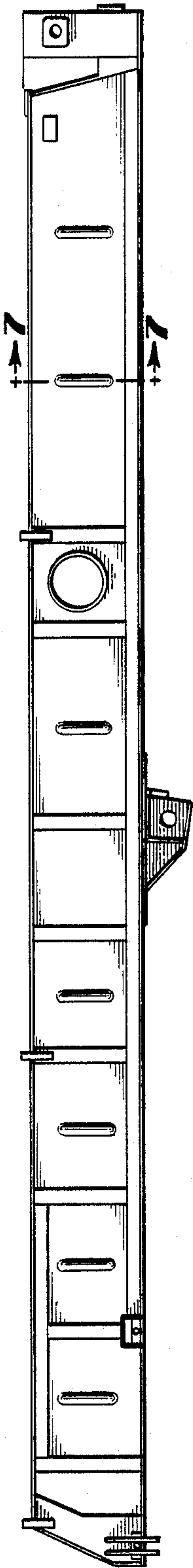


FIG 3

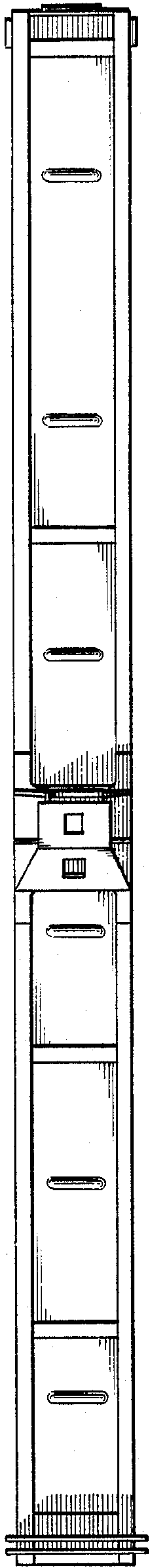


FIG 4

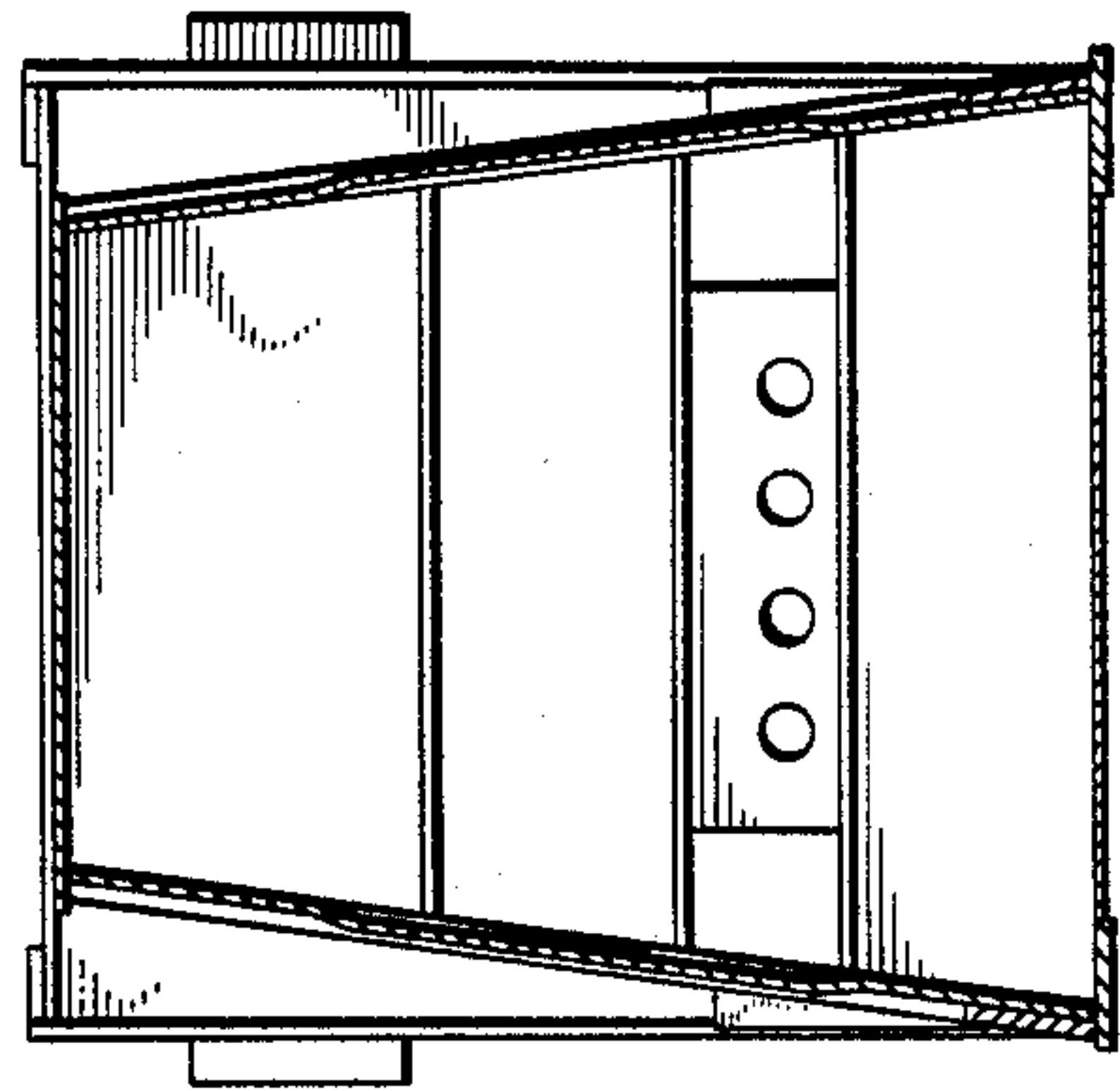


FIG 6

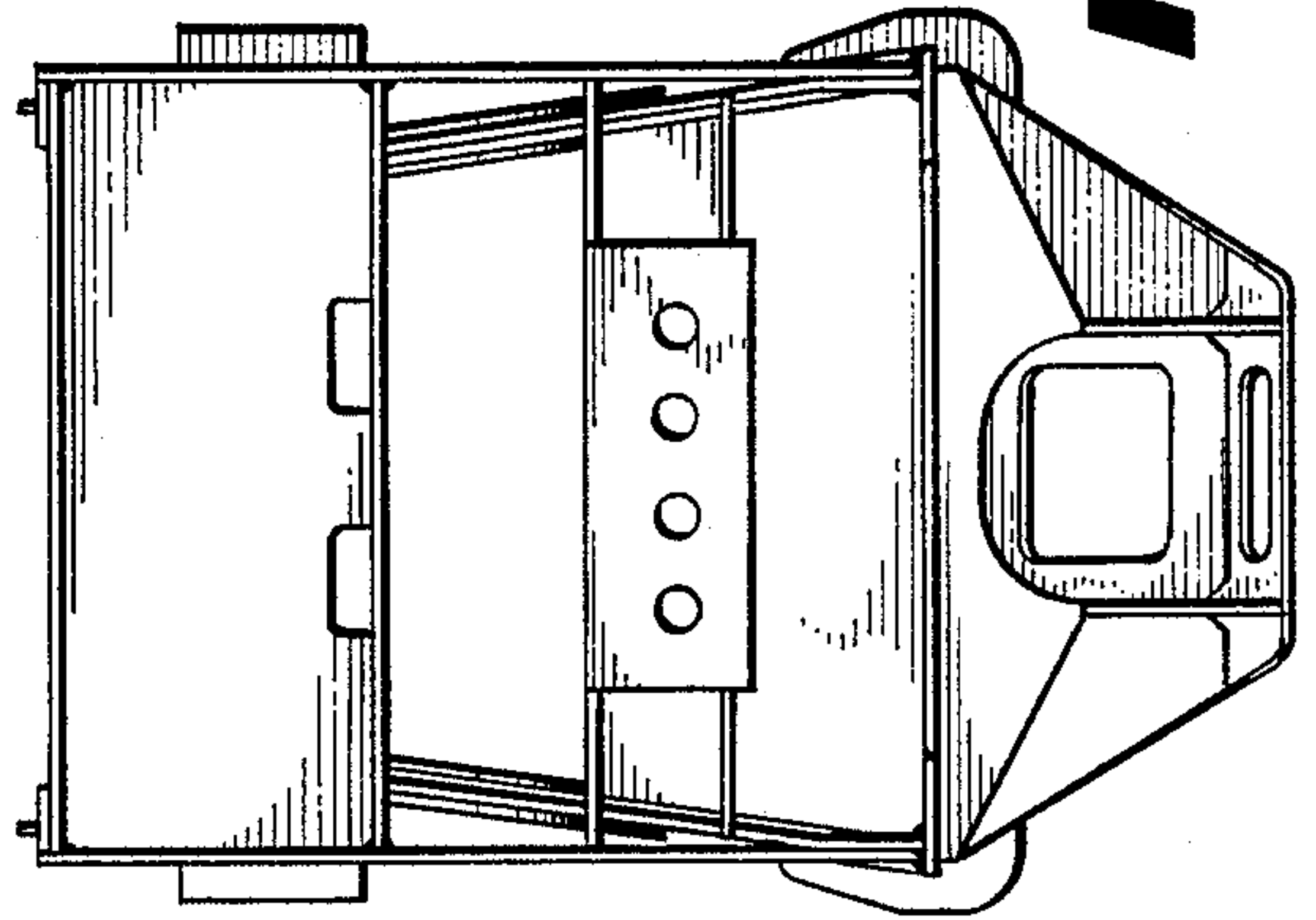


FIG 5

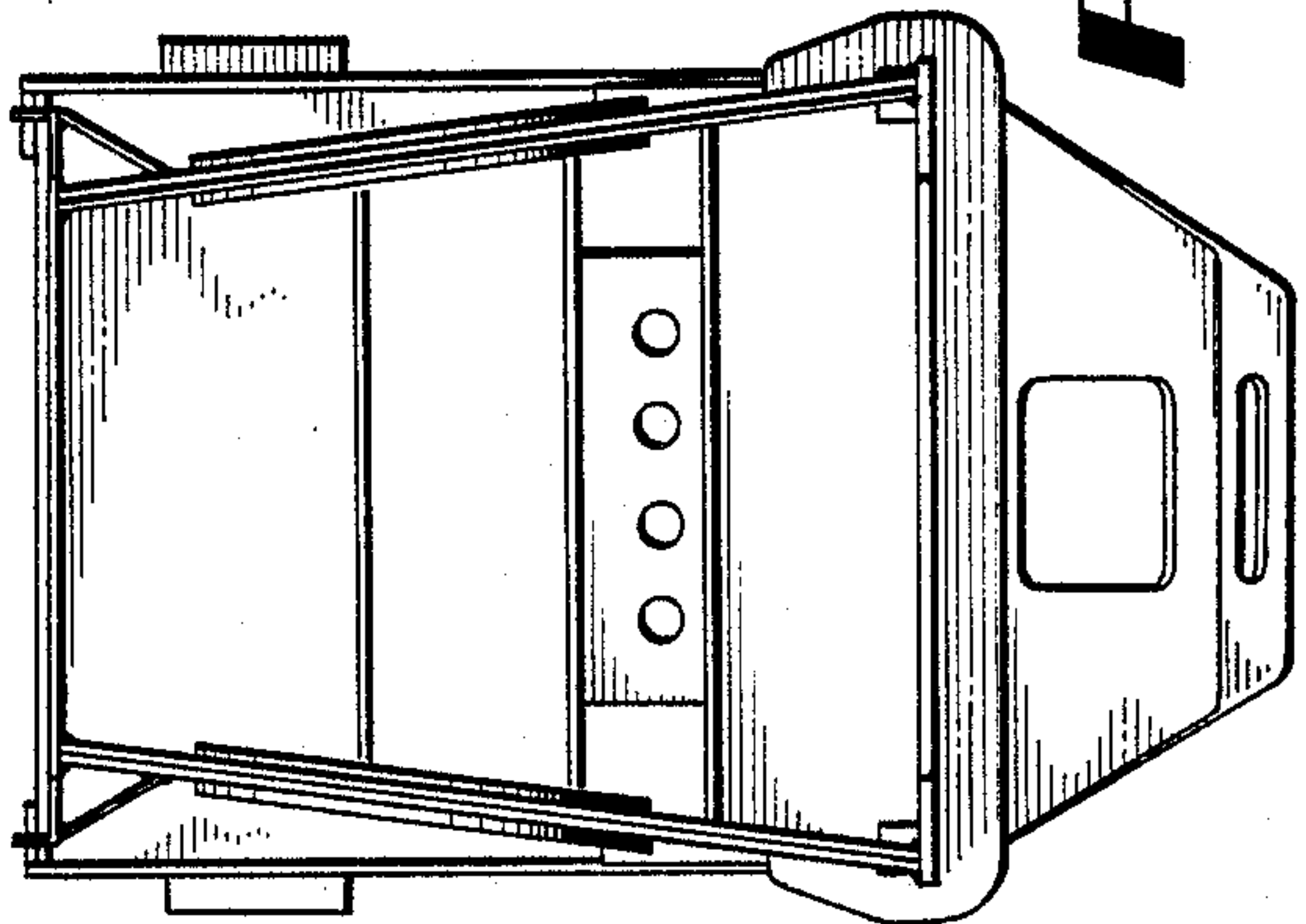


FIG 7