

[54] PAIR OF TRASH CAN HOLDER

[76] Inventor: Robert L. Bryan, 3125 E. 24th St.,
Brownsville, Tex. 78521

[**] Term: 14 Years

[21] Appl. No.: 791,092

[22] Filed: Oct. 24, 1985

[52] U.S. Cl. D34/6; D6/566;
D8/380

[58] Field of Search D34/6, 1, 10; D6/553,
D6/566, 567, 572; 211/71; 248/95-101, DIG.
7; D8/380

D. 245,222 8/1977 Harding D34/6
 D. 248,364 7/1978 Allen D34/6
 D. 262,337 12/1981 Bateman et al. D6/572
 D. 264,905 6/1982 Adamson D34/6
 3,186,555 6/1965 Ventura 248/DIG. 7
 3,603,550 9/1971 Byrd 211/71
 4,350,253 9/1982 Rusteberg D7/81
 4,473,159 9/1984 Pressler 211/78

Primary Examiner—Wallace R. Burke
 Assistant Examiner—Kay H. Chin
 Attorney, Agent, or Firm—W. C. Tupman

[56] References Cited

U.S. PATENT DOCUMENTS

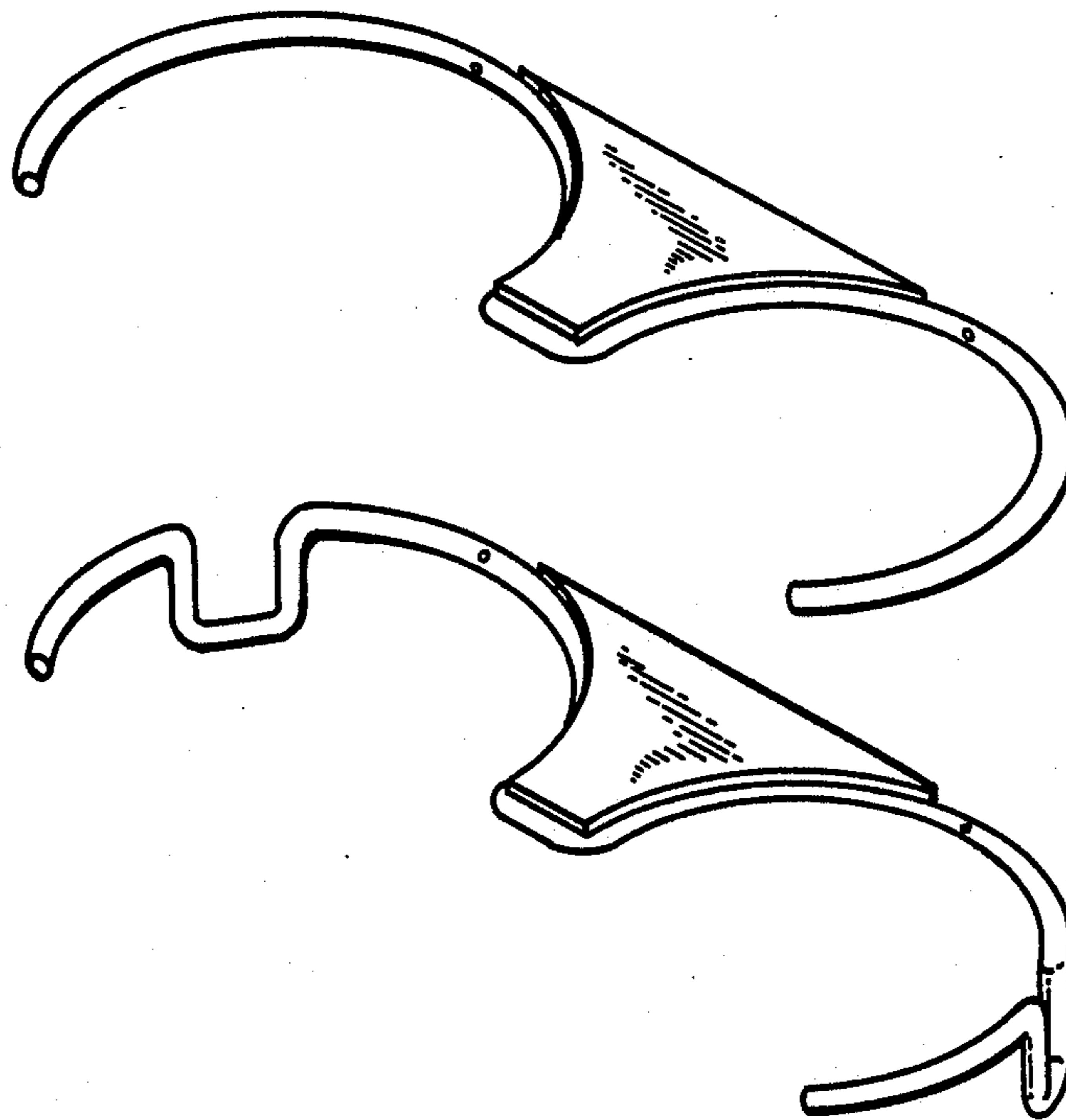
D. 170,695 10/1953 Kane D34/6
 D. 199,373 10/1964 Alissandratos D8/380
 D. 227,549 7/1973 Alissandratos D8/380
 D. 235,602 7/1975 Sahloff D6/566

[57] CLAIM

The ornamental design for a pair of trash can holder, as shown and described.

DESCRIPTION

FIG. 1 is a perspective view of a pair of trash can holder showing my new design;
 FIG. 2 is a side elevational view thereof;
 FIG. 3 is a top plan view thereof; and
 FIG. 4 is a front elevational view thereof.



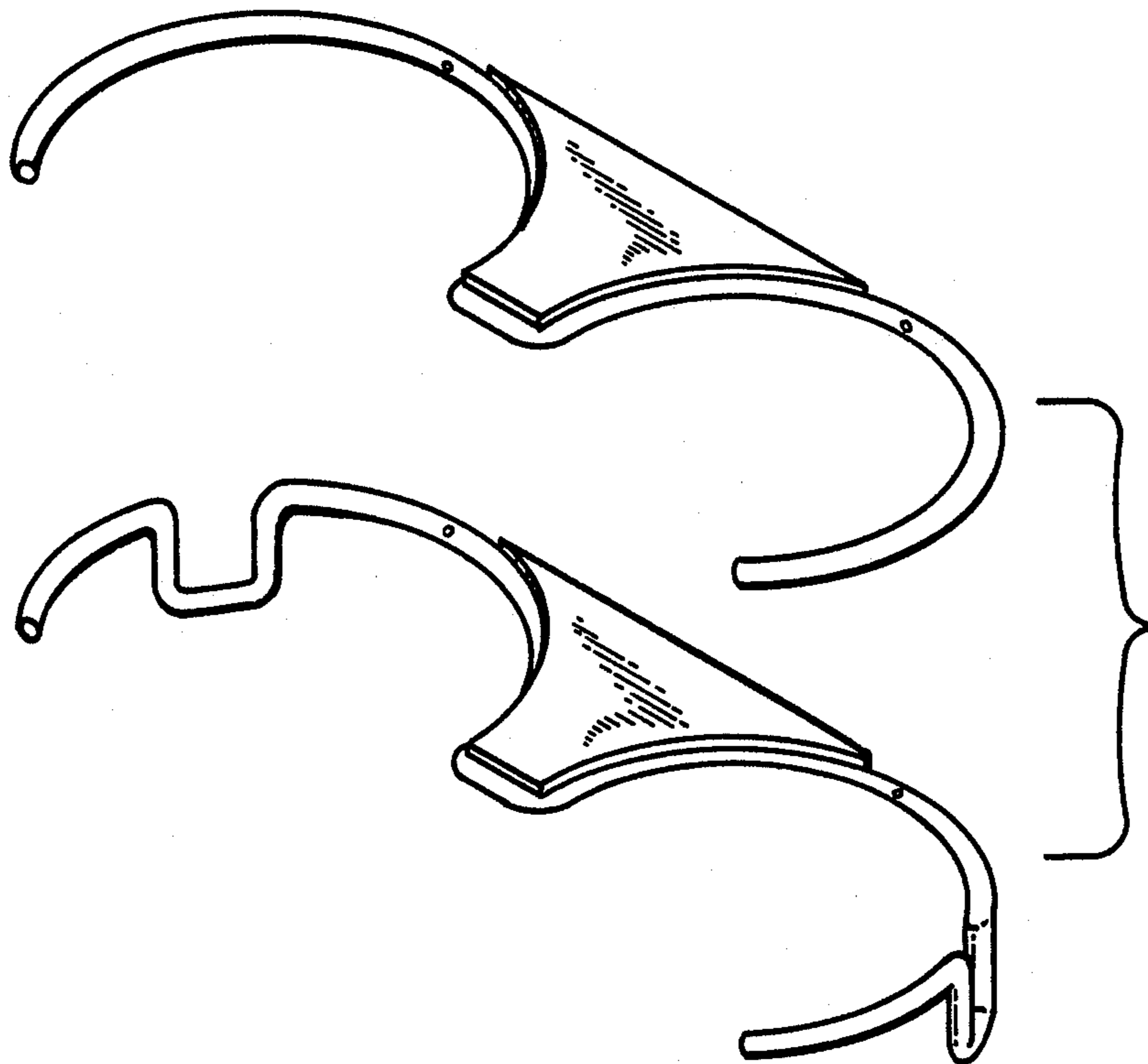


Fig. 1

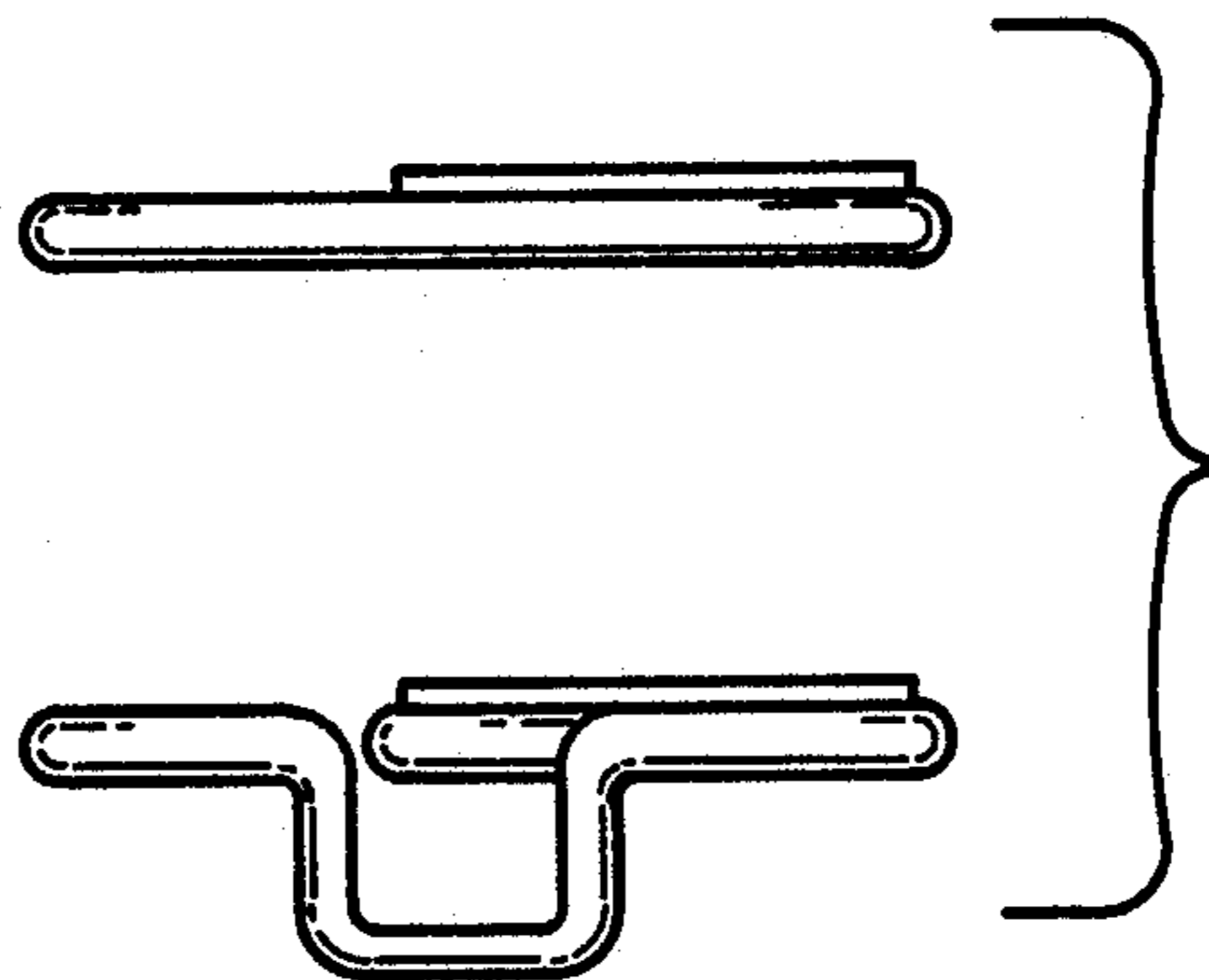


Fig. 2

