

United States Patent [19]

Bowerman et al.

[11] Patent Number: **Des. 299,176**

[45] Date of Patent: **** Dec. 27, 1988**

[54] **UPRIGHT VACUUM CLEANER**
[75] Inventors: **Leonard E. Bowerman, Fairfield;**
George Schick, Easton, both of Conn.

[73] Assignee: **Sara Lee Corporation,**
Winston-Salem, N.C.

[**] Term: **14 Years**

[21] Appl. No.: **844,752**

[22] Filed: **Mar. 14, 1986**

[52] U.S. Cl. **D32/22**

[58] Field of Search **D32/21-22,**
D32/31-34; 55/213; 15/320-322, 350, 351,
352, 323, 325, 347; 400/349, 410, 412, 414, 415
R, 415 A, 416, 418-422

[56] **References Cited**

U.S. PATENT DOCUMENTS

D. 238,139 12/1975 Goodrich D32/31

D. 275,428 9/1984 Wareham et al. D32/22
D. 293,727 1/1988 Wareham et al. D32/22
D. 293,728 1/1988 Ohhira et al. D32/22
3,199,138 8/1965 Nordeen 15/350
3,938,216 2/1976 Schmitz et al. 15/340
4,517,705 5/1985 Nug 15/351

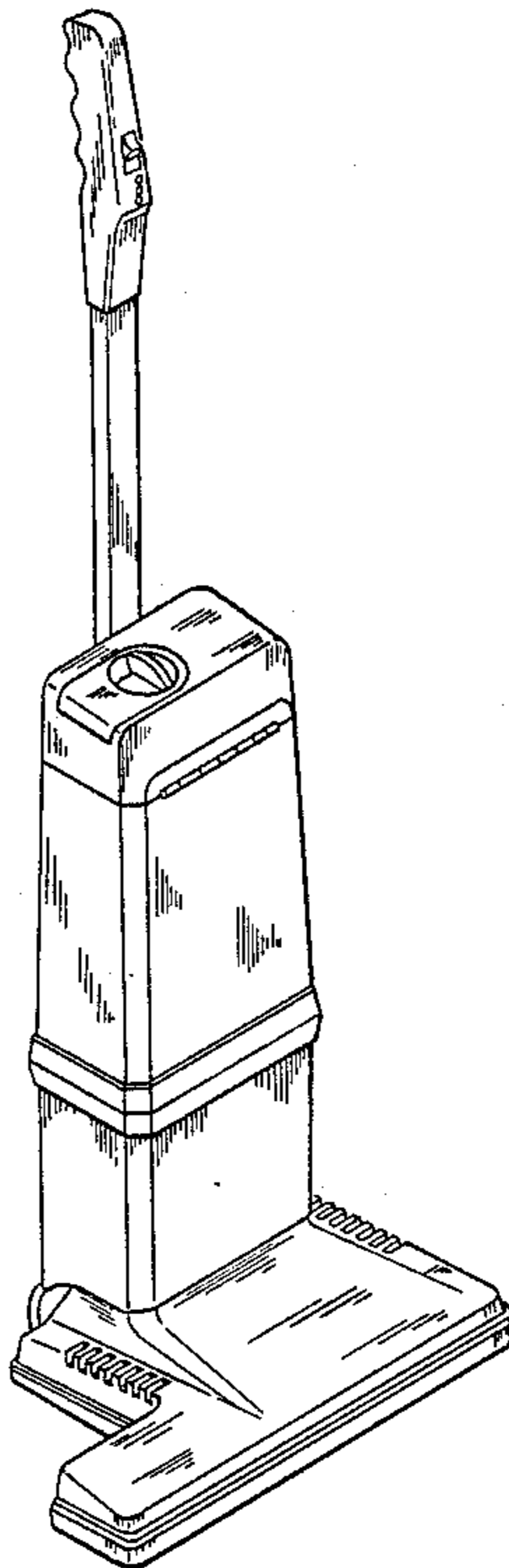
Primary Examiner—Wallace R. Burke
Assistant Examiner—Ruth Takemoto
Attorney, Agent, or Firm—Charles Y. Lackey; William
S. Burden

[57] CLAIM

The ornamental design for an upright vacuum cleaner,
as shown.

DESCRIPTION

FIG. 1 is a front perspective view of an upright vacuum
cleaner showing our new design;
FIG. 2 is a rear perspective view thereof; and
FIG. 3 is a rear perspective view thereof, taken from
the side opposite that shown in FIG. 2.



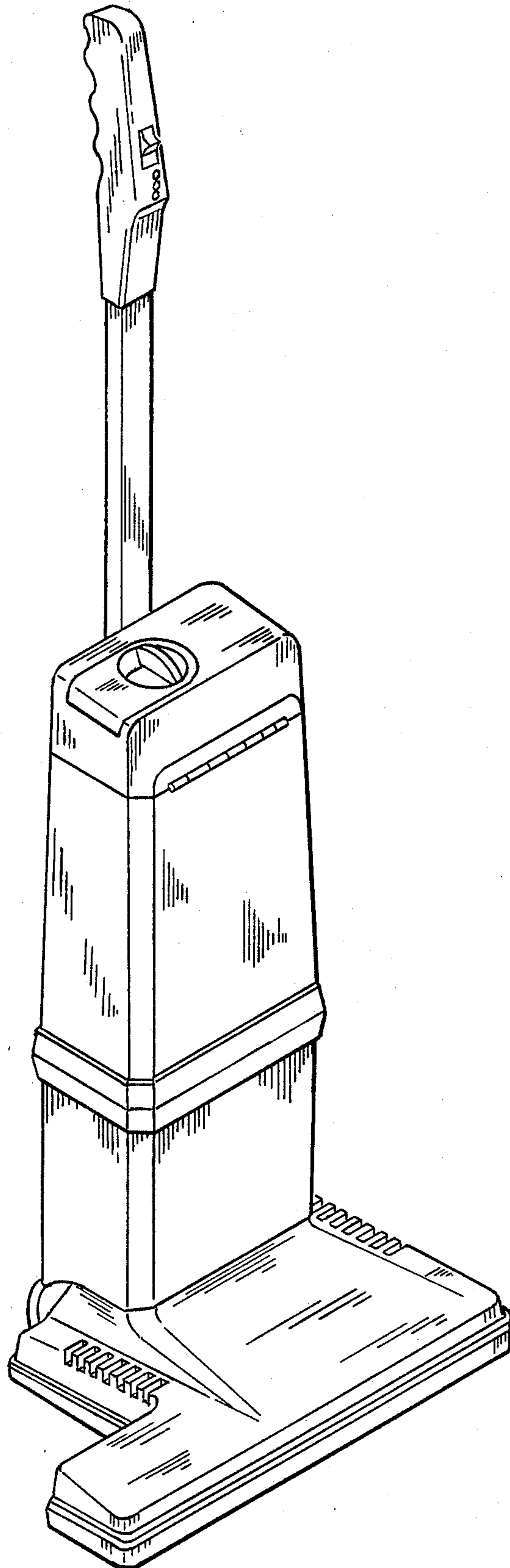


FIG. 1

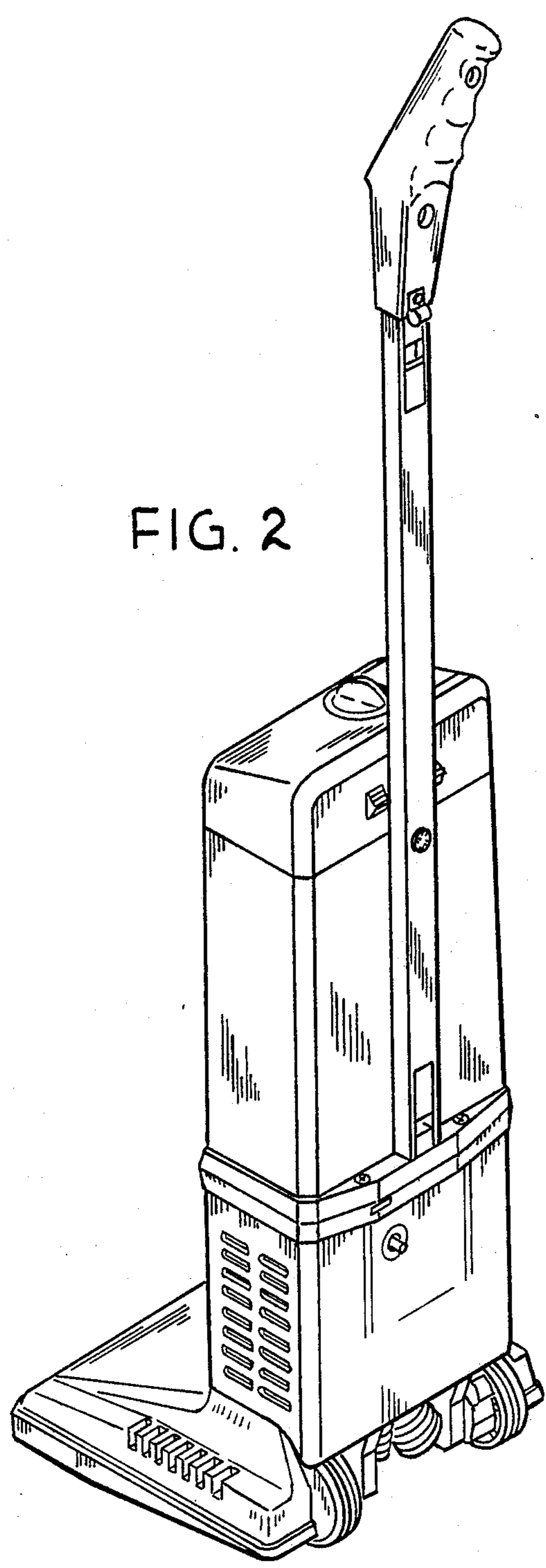


FIG. 2

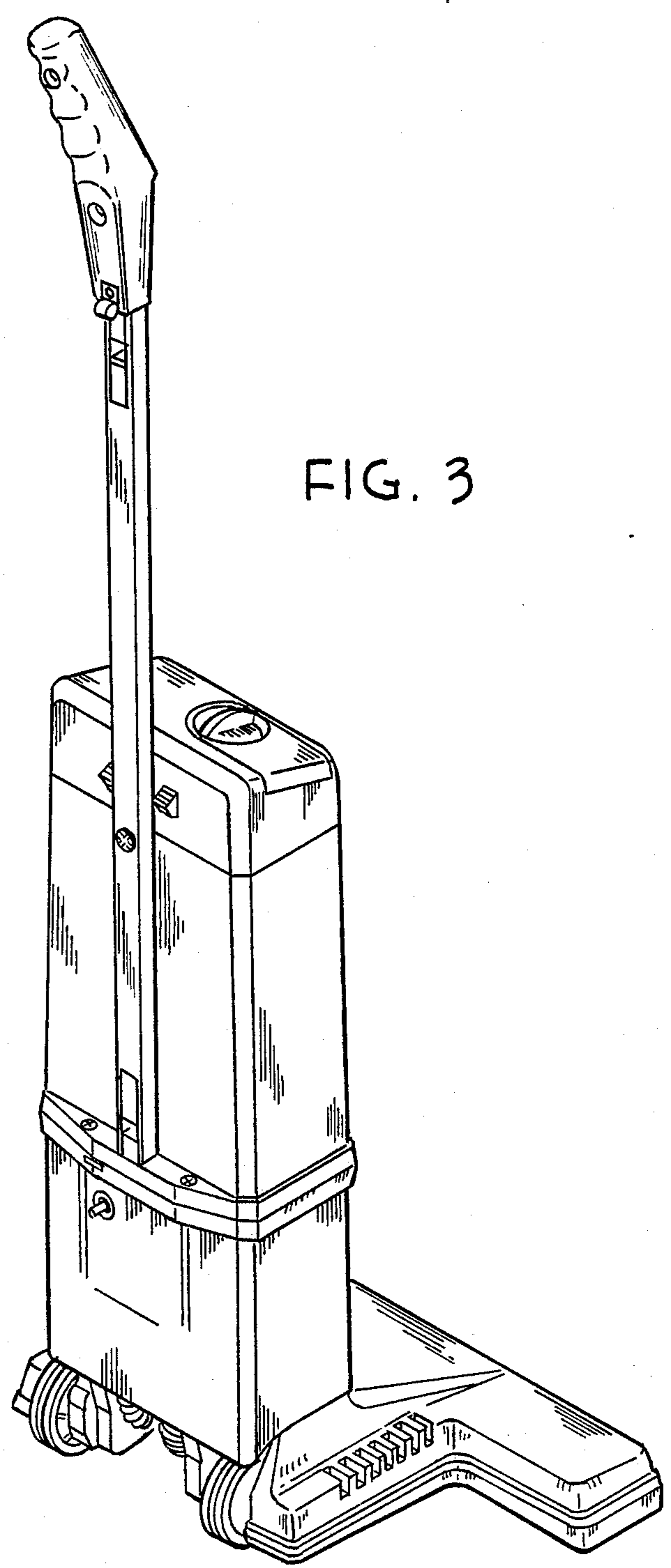


FIG. 3