

[54] UPRIGHT VACUUM CLEANER

[75] Inventors: Susan K. Nimon, Cuyahoga Falls; William E. Bartasevich, Kent, both of Ohio; Edgar F. Trombley, Grosse Pointe, Mich.; Mary Arnold, Glenview; Nancy Perkins, Chicago, both of Ill.

[73] Assignee: The Scott Fetzer Company, Twinsburg, Ohio

[**] Term: 14 Years

[21] Appl. No.: 807,852

[22] Filed: Dec. 11, 1985

[52] U.S. Cl. D32/22

[58] Field of Search D32/21, 22; 15/324, 15/350-351, 366, 378, 383, 412, 414, 415 R, 415 A, 422, 327 R, 320, 323, 347

[56] References Cited

U.S. PATENT DOCUMENTS

D. 178,774	9/1956	Heavner	D32/22
D. 270,581	9/1983	Wareham	D32/31
D. 292,636	11/1987	Goodrich et al.	D32/22
2,633,596	4/1953	Turner et al.	15/350
3,193,992	7/1965	Findley et al.	15/323
3,273,194	9/1966	Jepson et al.	15/412

Primary Examiner—Wallace R. Burke
Assistant Examiner—Ruth Takemoto
Attorney, Agent, or Firm—Watts, Hoffmann, Fisher & Heinke

[57] CLAIM

The ornamental design for an upright vacuum cleaner, as shown and described.

DESCRIPTION

FIG. 1 is a top, front and left side perspective view of an upright vacuum cleaner showing our new design; FIG. 2 is a top, rear and left side perspective view thereof; FIG. 3 is a top, rear and right side perspective view thereof; FIG. 4 is a top, front and right side perspective view thereof; FIG. 5 is an enlarged bottom, rear and right side perspective view thereof; FIG. 6 is an enlarged partial bottom perspective view of the nozzle thereof; FIG. 7 is an enlarged partial rear perspective view thereof; and FIG. 8 is an enlarged right side elevational view thereof. The fabric-like pattern which is fragmentarily shown in FIGS. 1, 3, 4, 5 and 7 is understood to repeat uniformly and continuously throughout the indicated area.

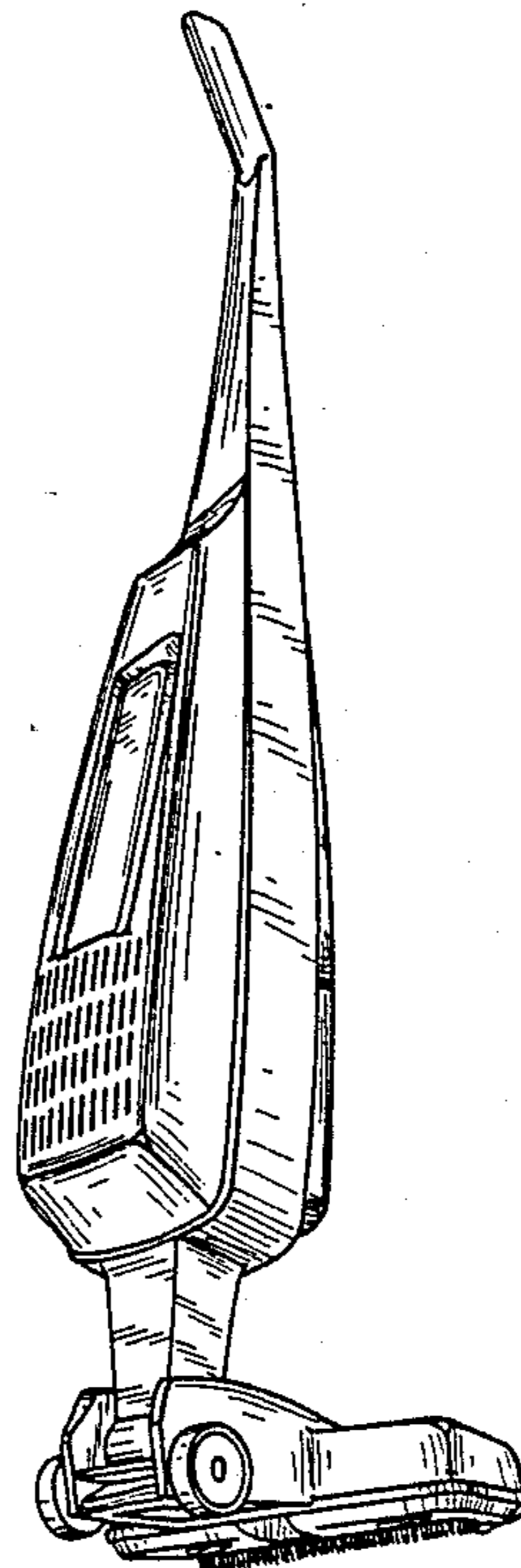
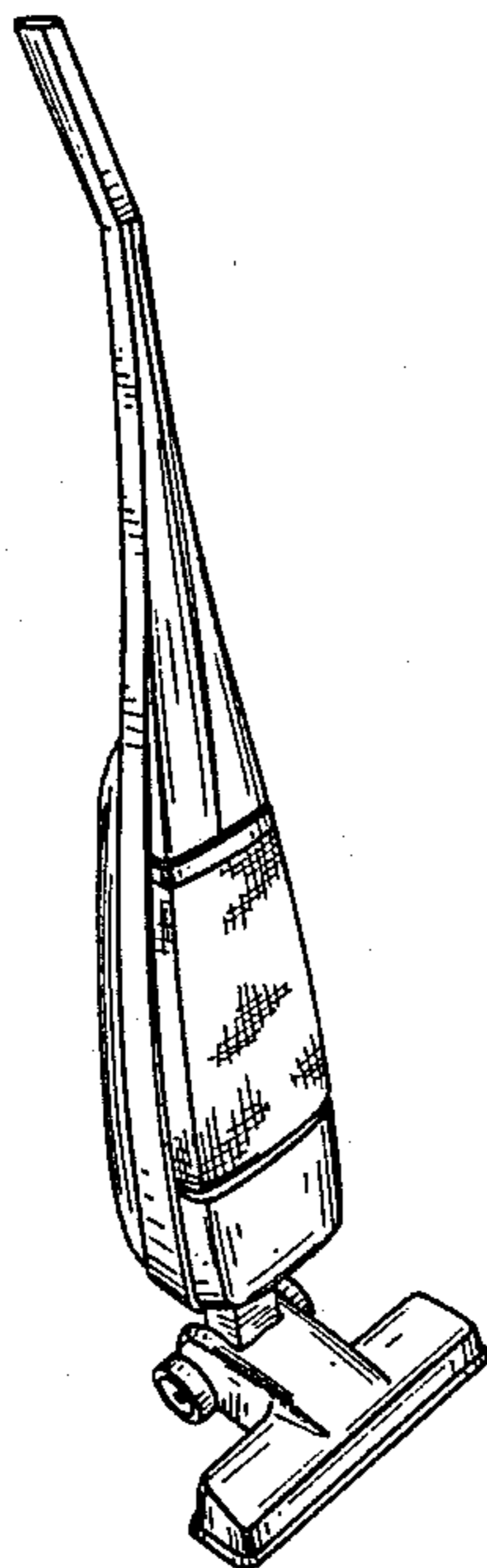


FIG.3

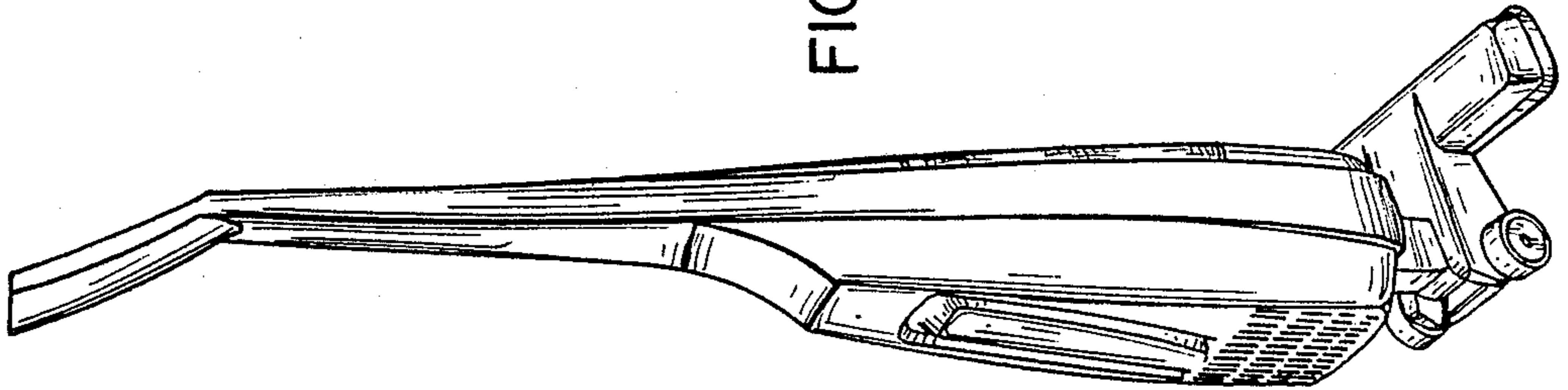


FIG.2

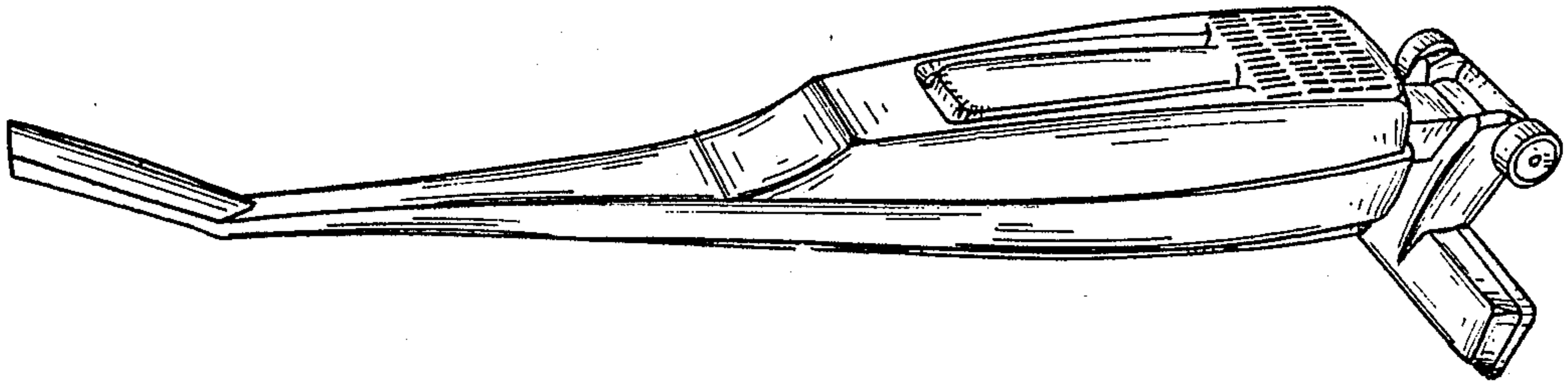


FIG.1

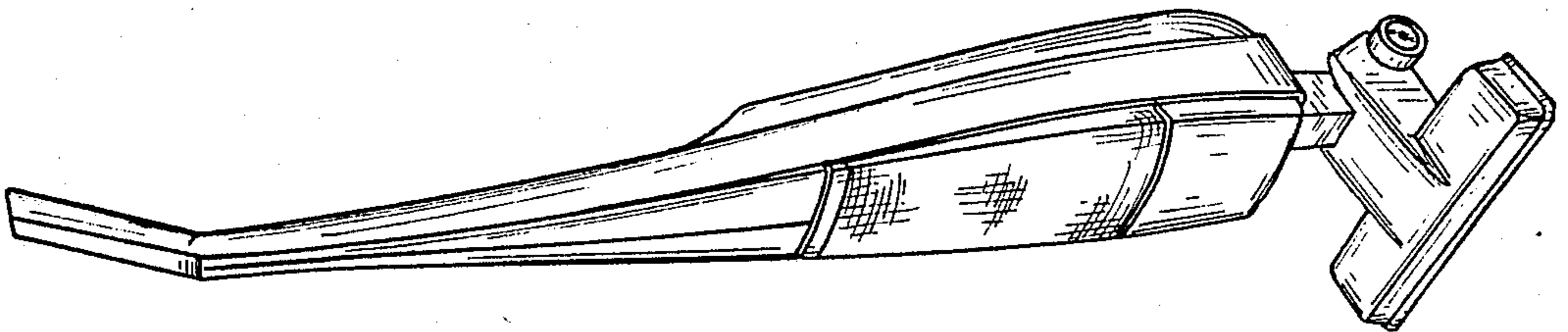


FIG.4

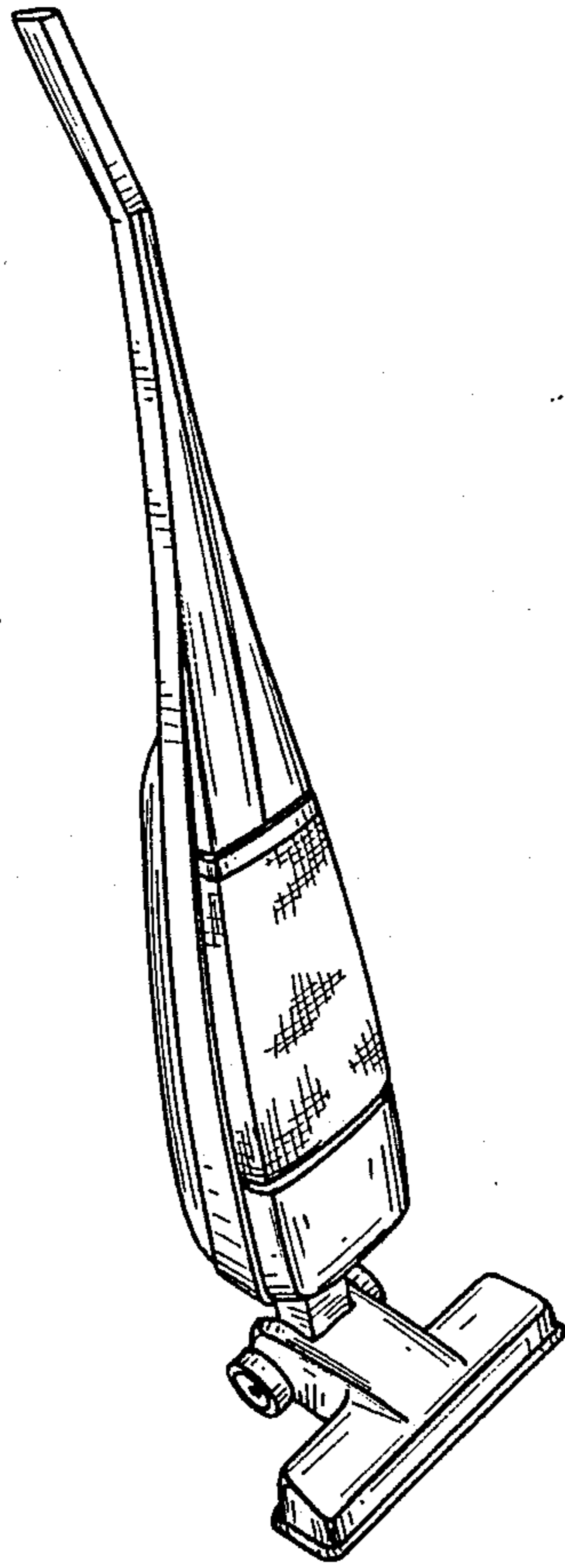


FIG.5

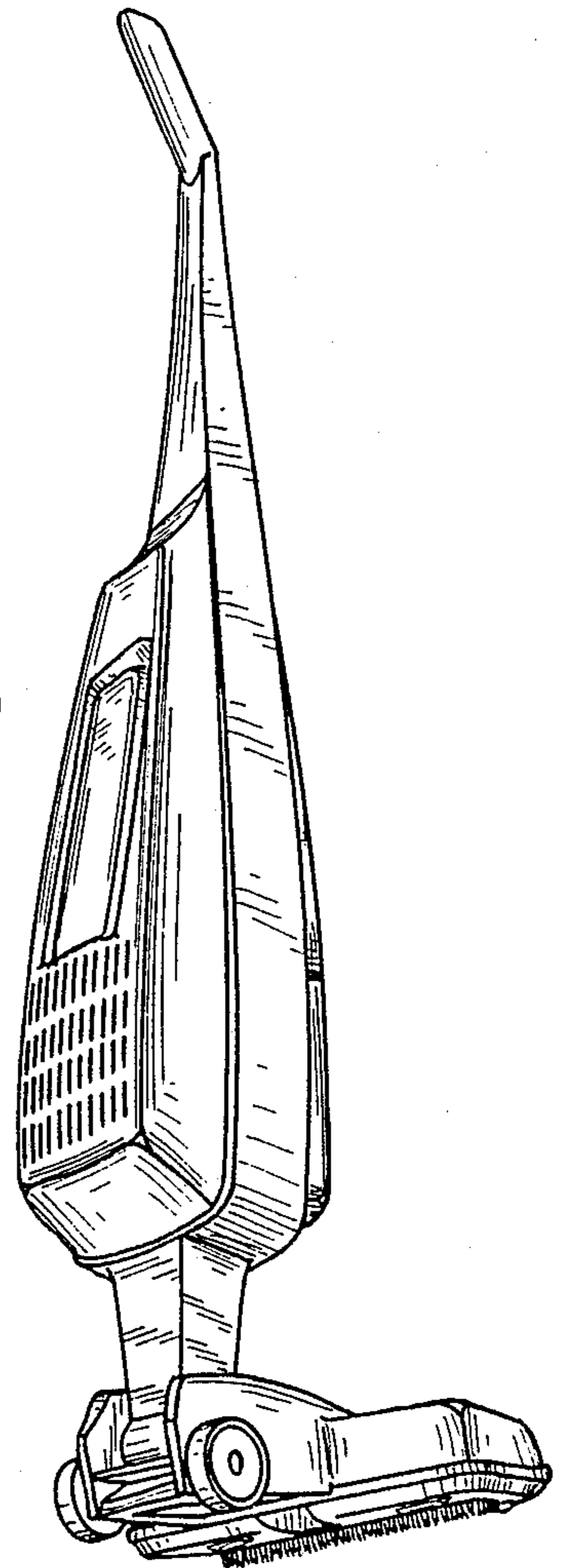


FIG.6

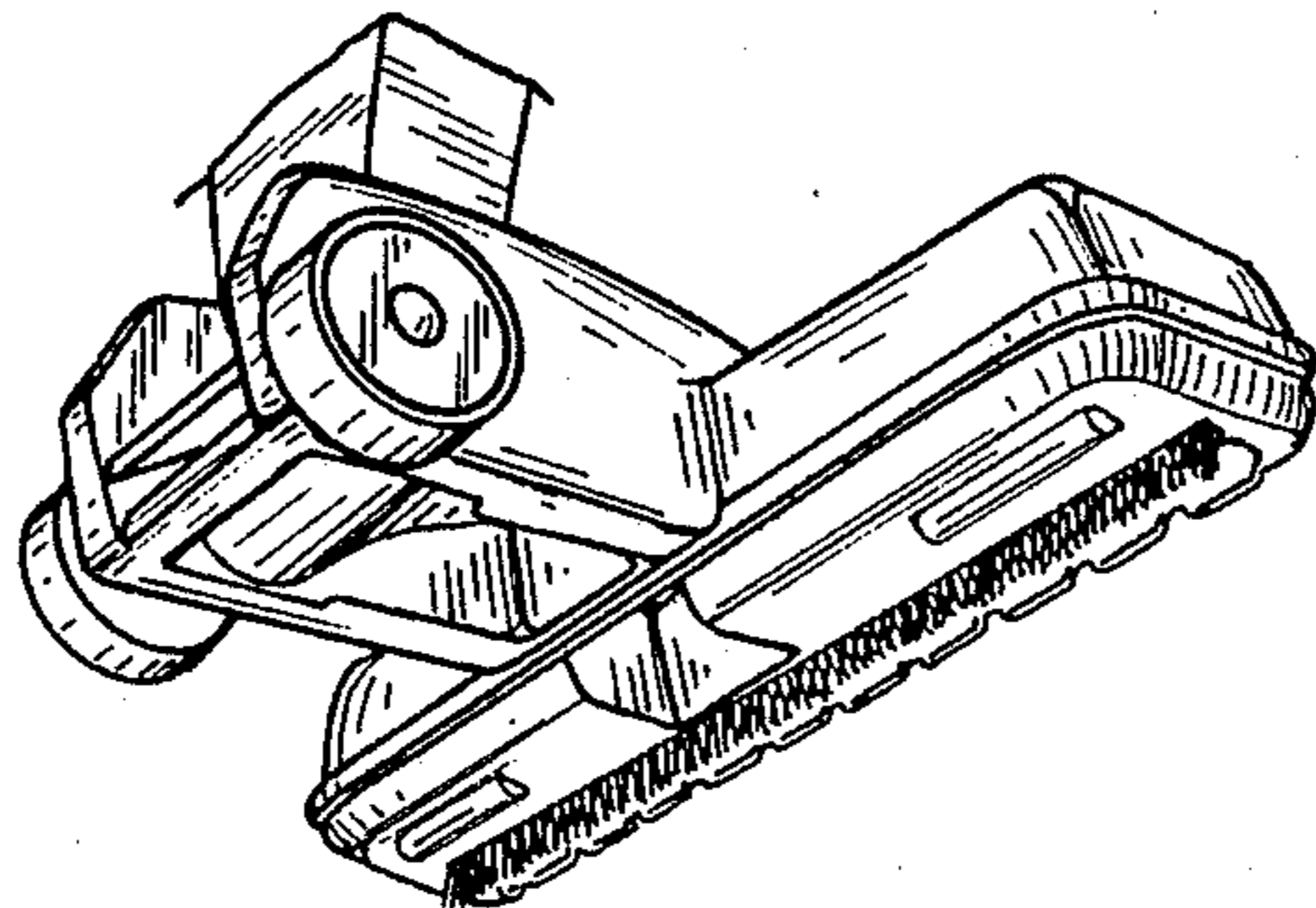
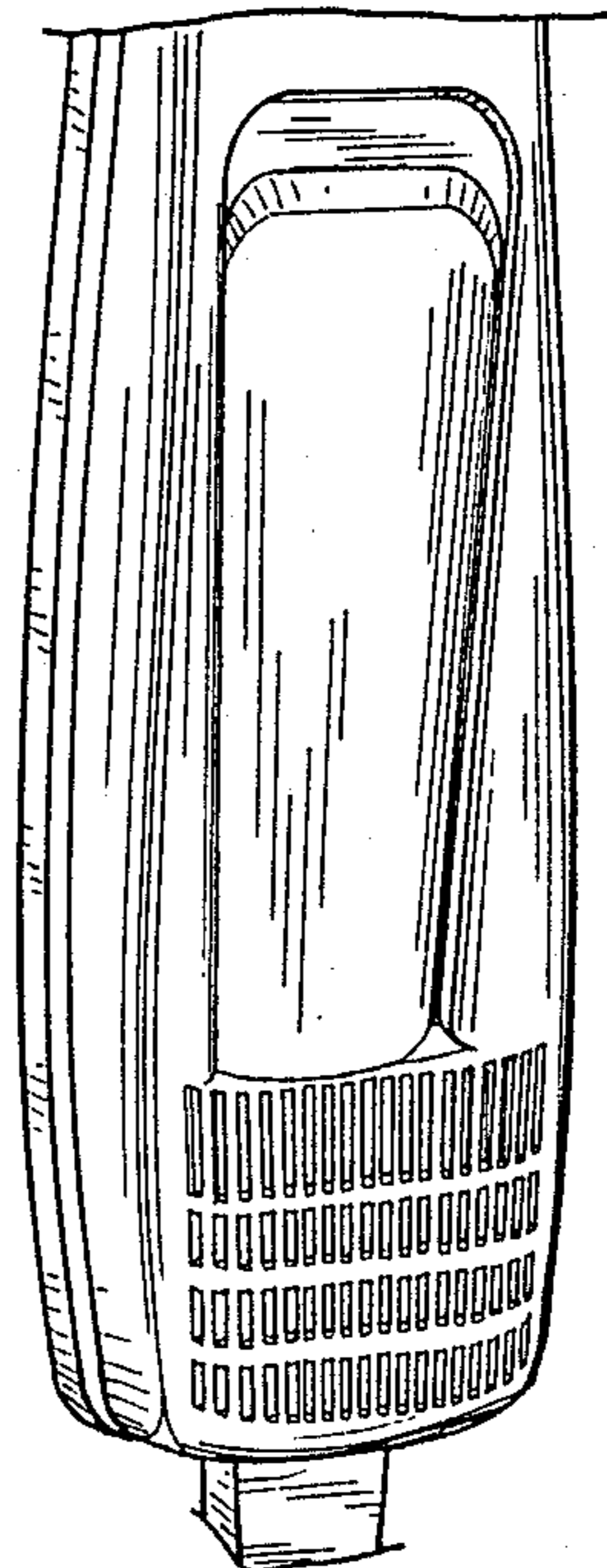


FIG.7



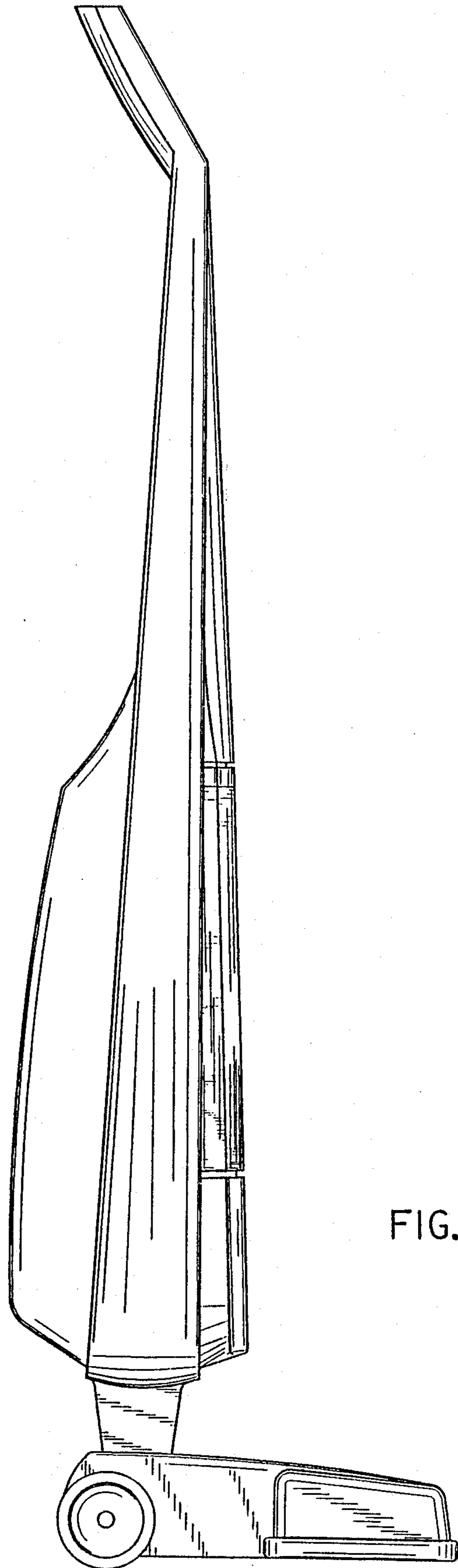


FIG. 8