

[54] ULTRAVIOLET LIGHT FOR FINGERNAIL TREATMENT

[75] Inventor: Richard E. Shoemaker, Milford, Conn.

[73] Assignee: Conair Corporation, Edison, N.J.

[\*\*] Term: 14 Years

[21] Appl. No.: 873,329

[22] Filed: Jun. 12, 1986

[52] U.S. Cl. .... D28/58; D26/104; D28/61

[58] Field of Search ..... D28/9-18, D28/54.1, 58, 61, 56; 34/96-101; 132/7, 9, 73-73.6; D26/96, 104

[56] References Cited

U.S. PATENT DOCUMENTS

D. 129,951 10/1941 Scateni ..... D28/61

D. 149,807 6/1948 Gaitskill ..... D28/61  
D. 204,900 5/1966 Curry ..... D26/104  
D. 238,960 2/1976 Leung ..... D26/104  
2,346,234 4/1944 Reynolds ..... 132/73.5  
3,665,867 5/1972 Carlson et al. .... 132/73.5

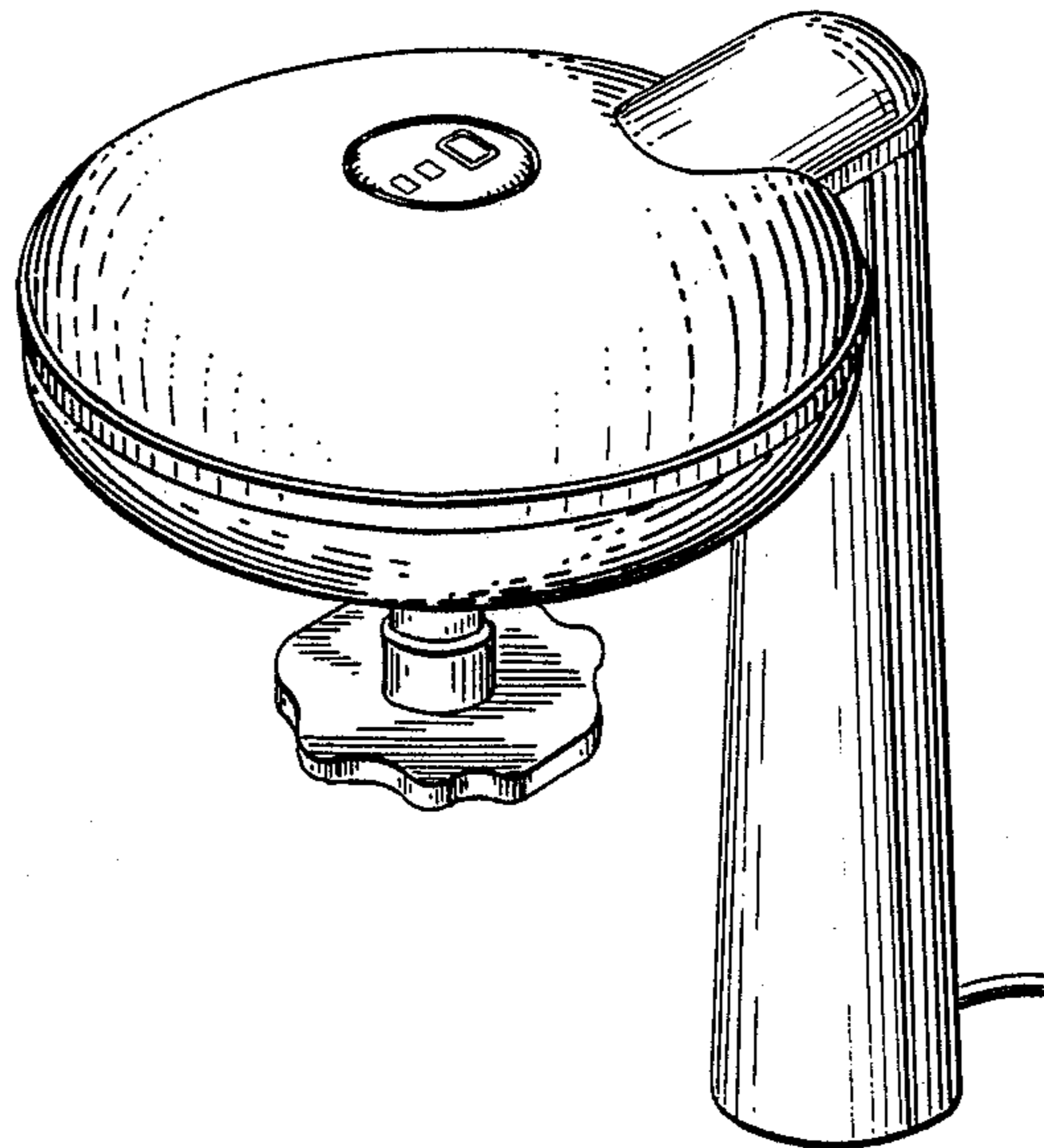
Primary Examiner—Louis S. Zarfes  
Attorney, Agent, or Firm—Haynes N. Johnson

[57] CLAIM

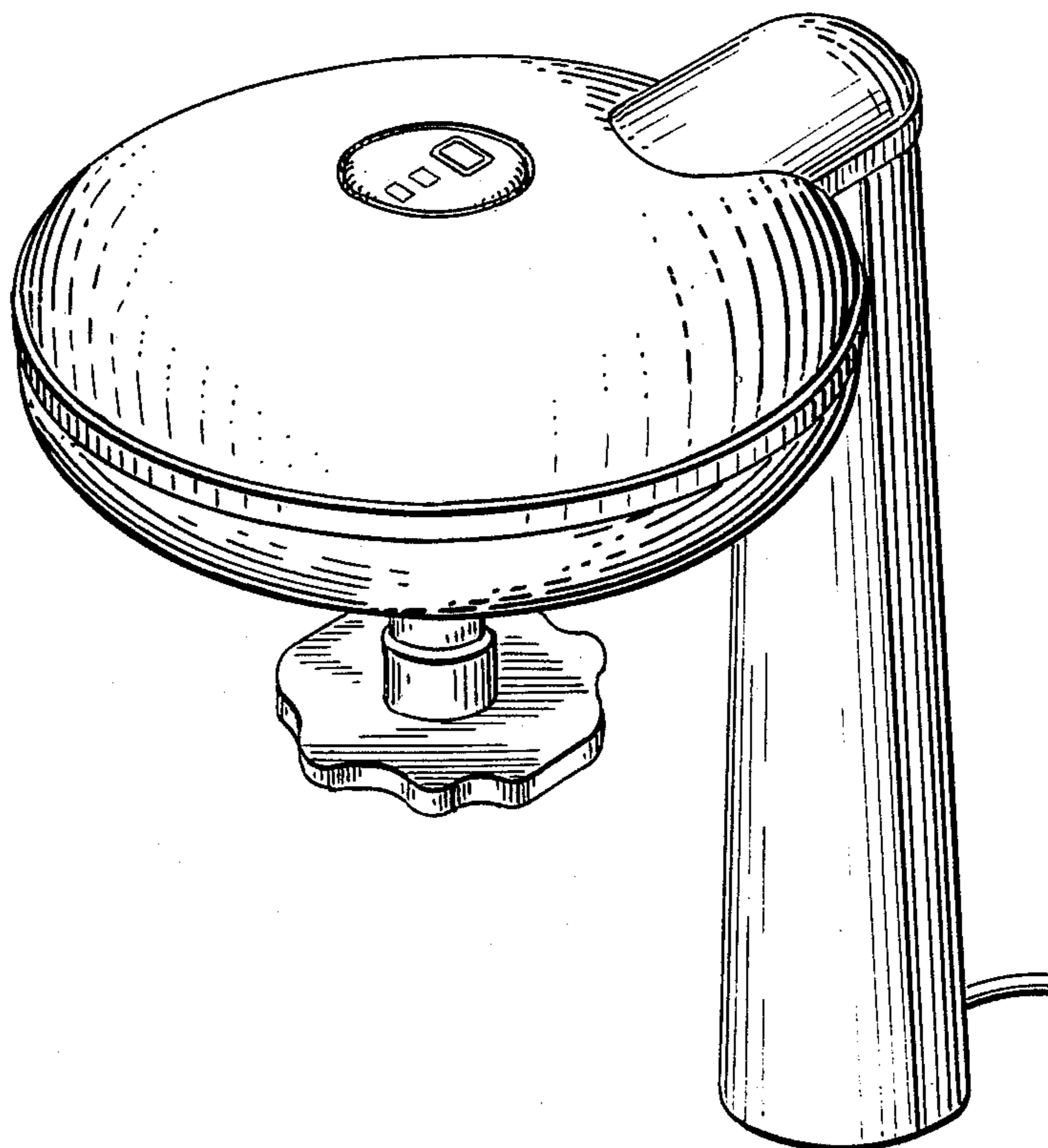
The ornamental design for an ultraviolet light for fingernail treatment, as shown.

DESCRIPTION

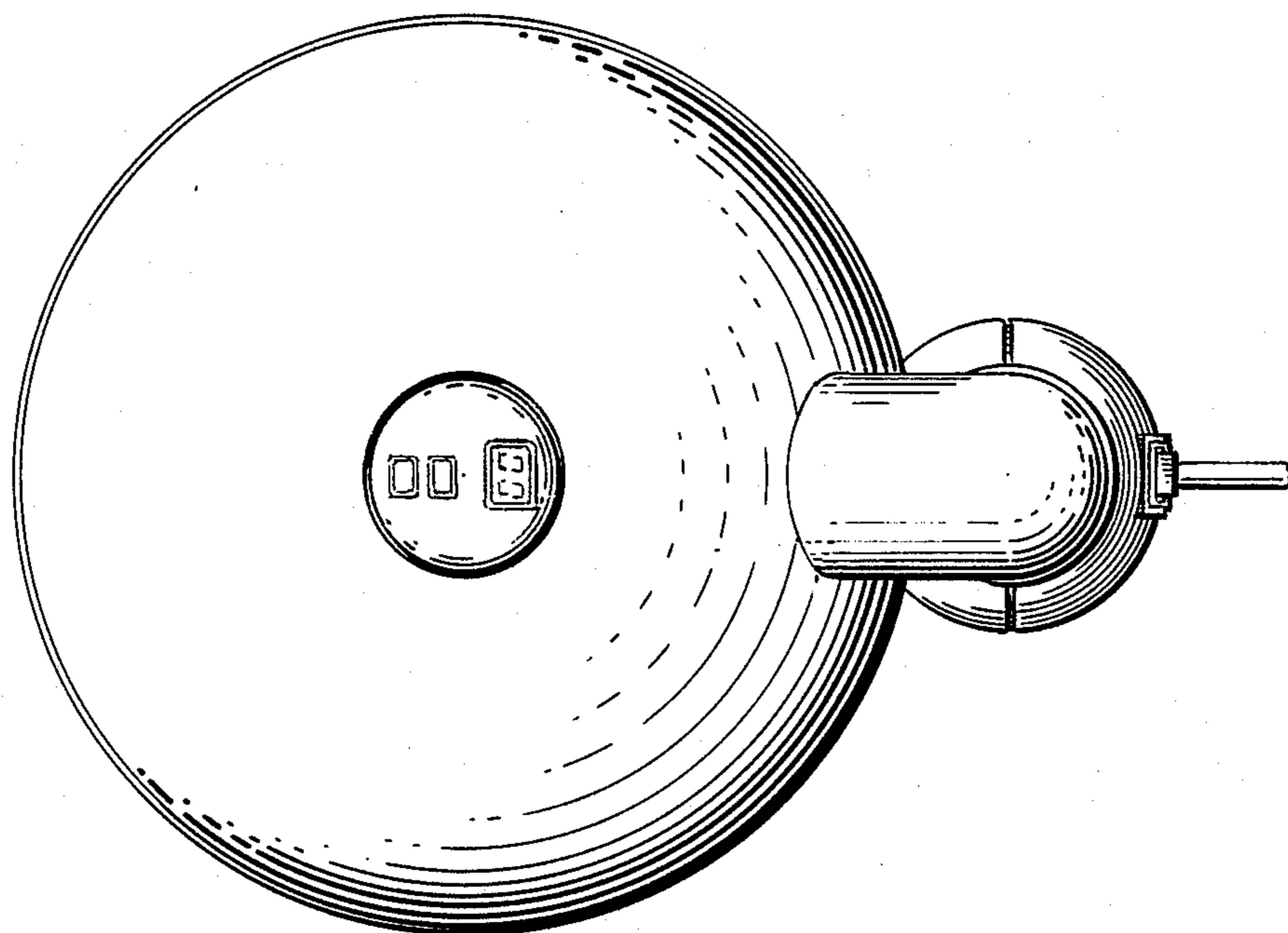
FIG. 1 is a perspective view of an ultraviolet light for fingernail treatment, showing my new design;  
FIG. 2 is a top plan view thereof;  
FIG. 3 is a front elevation thereof;  
FIG. 4 is a right side elevation thereof; the left side is a mirror image;  
FIG. 5 is a rear elevation thereof;  
FIG. 6 is a bottom plan view thereof.



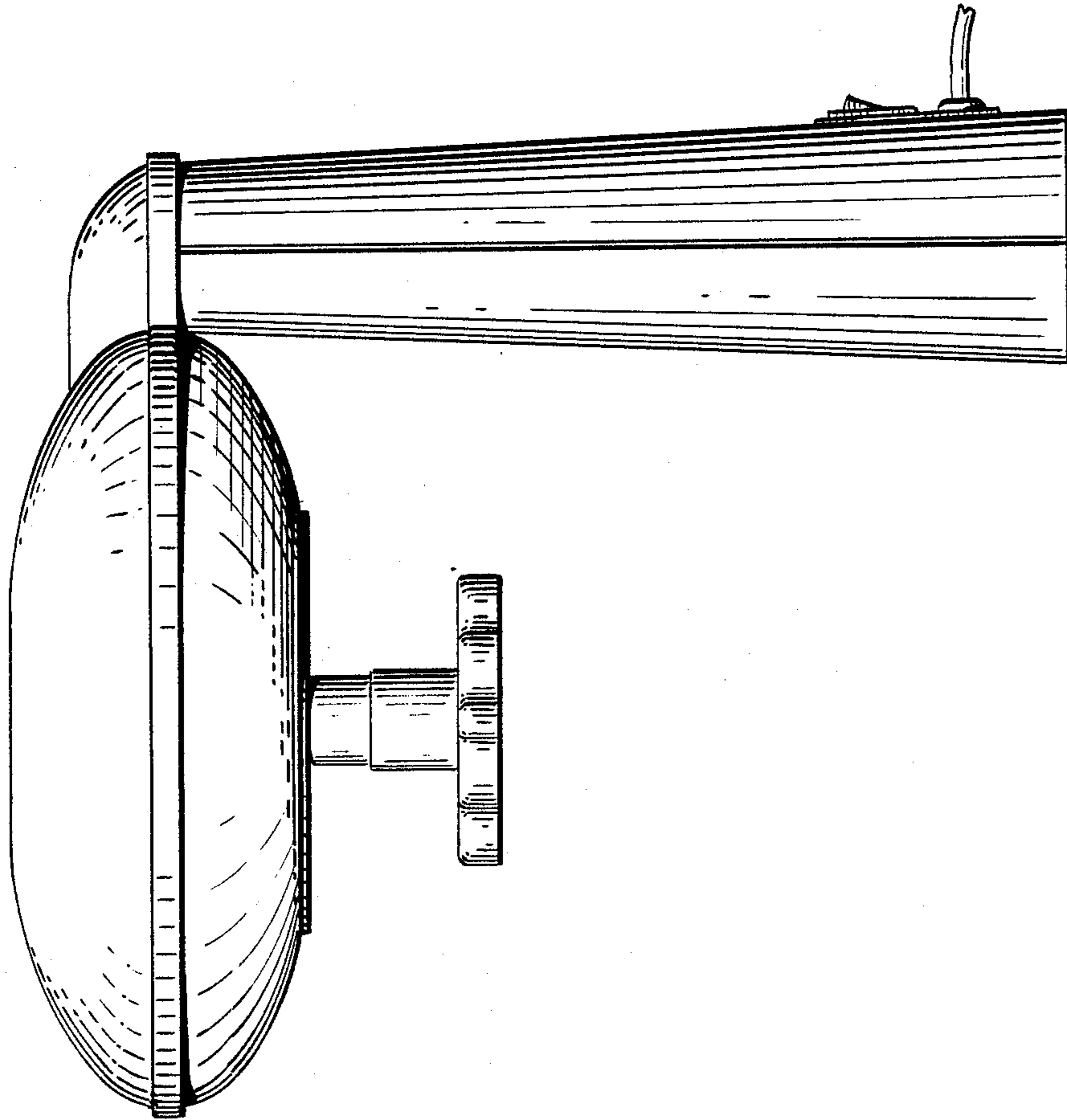
*Fig. 1.*



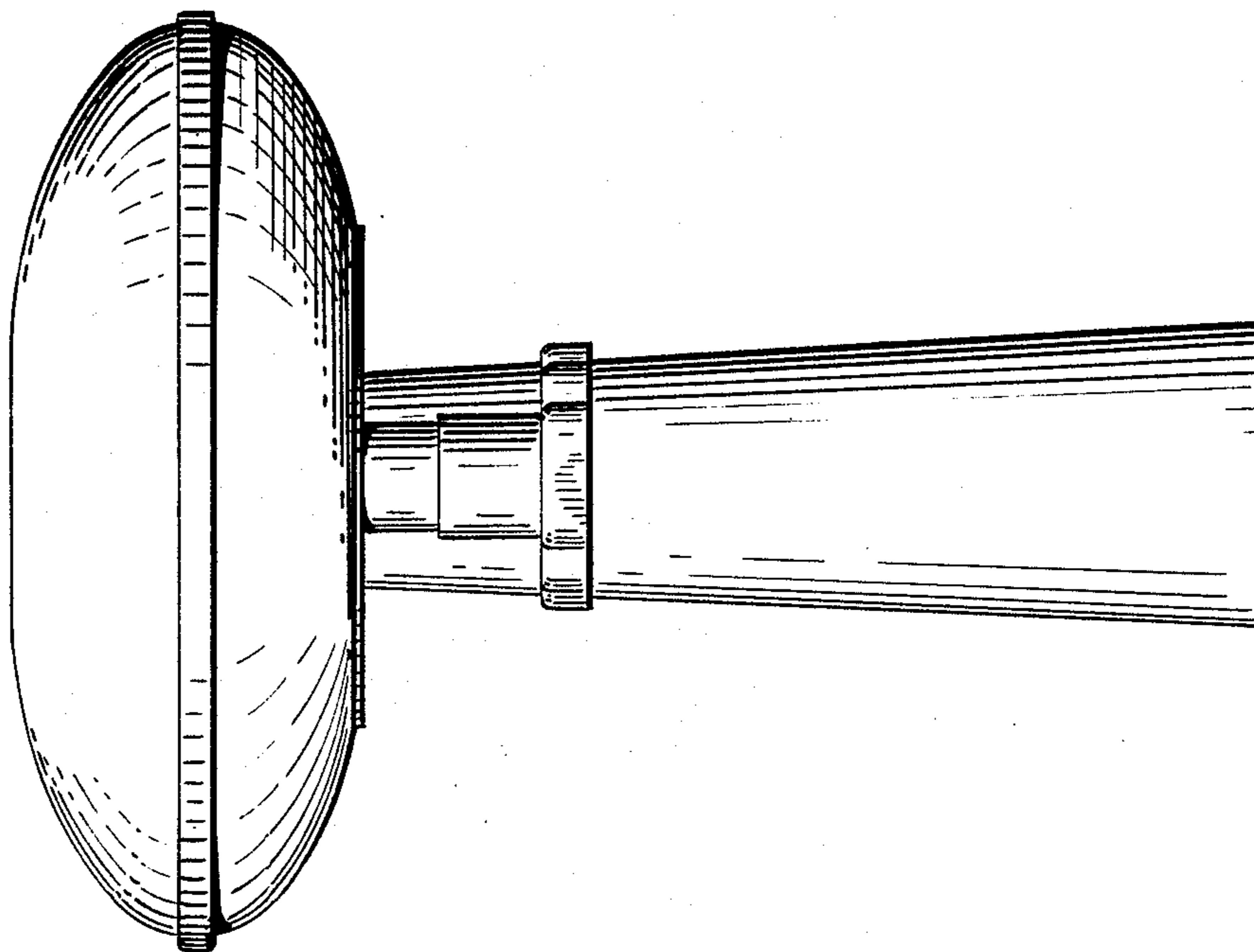
*Fig. 2.*

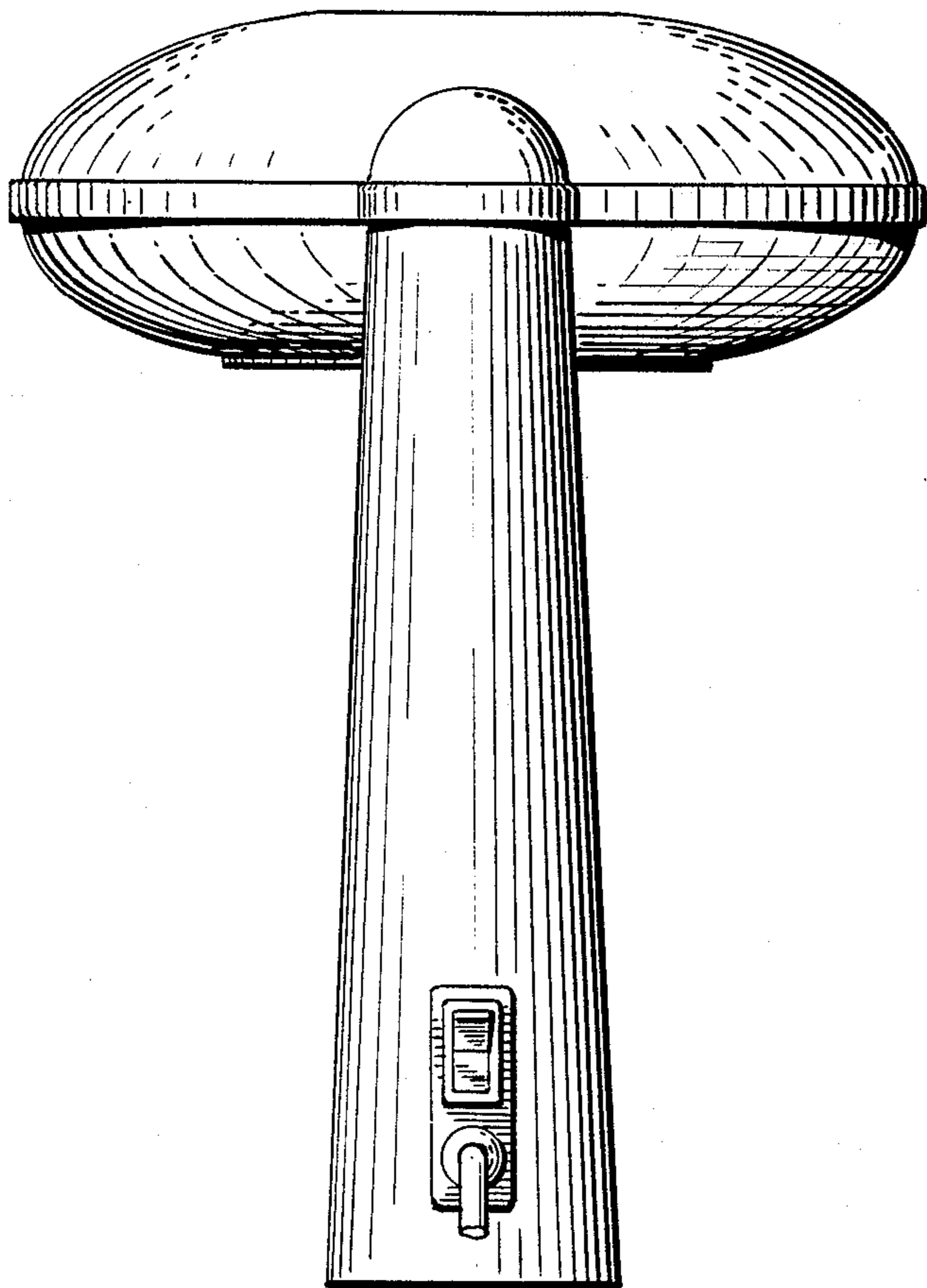


*Fig. 4*

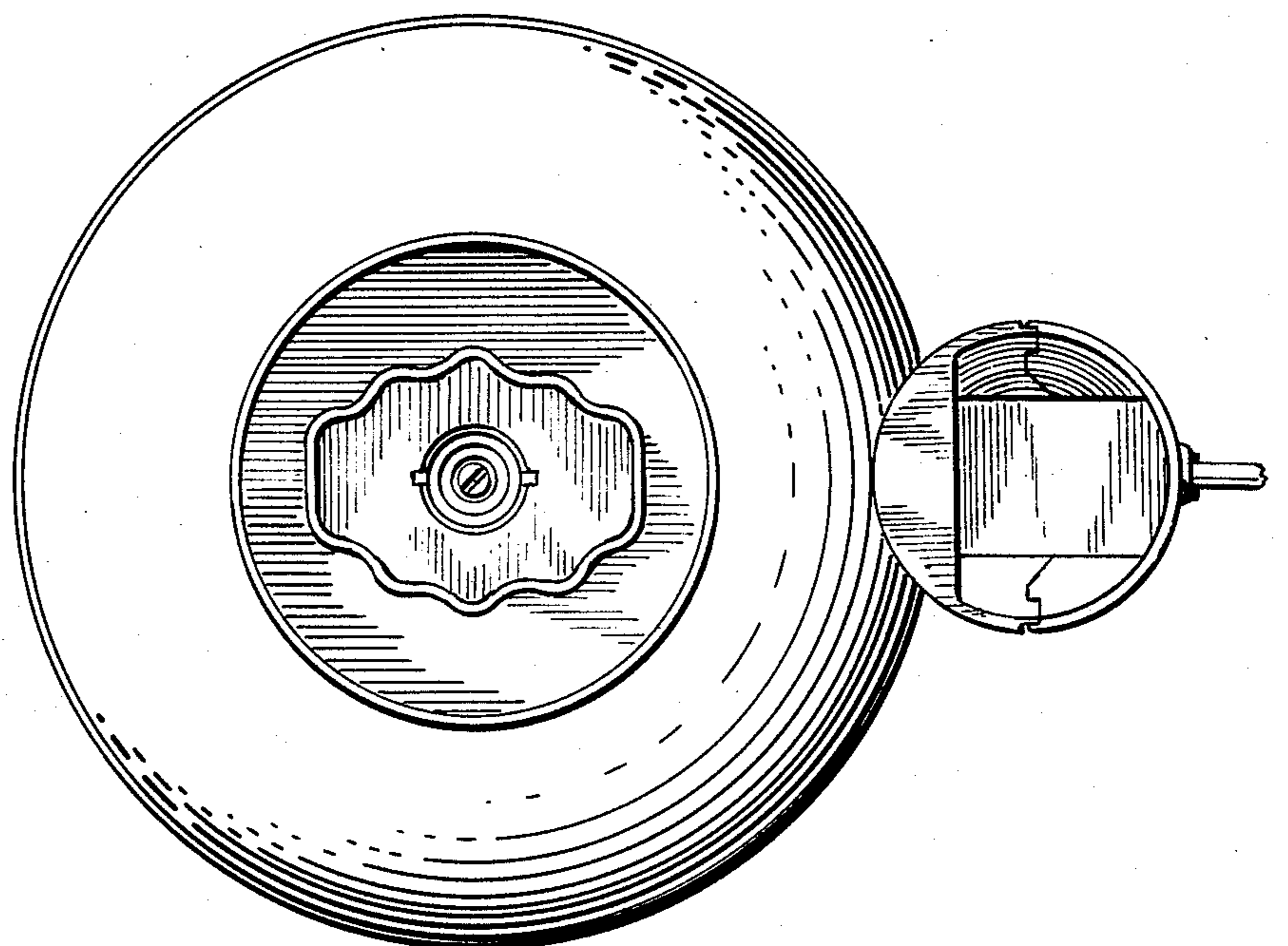


*Fig. 3*





*Fig. 5.*



*Fig. 6.*