

[54] COMBINED SMOKE GASKET AND INTUMESCENT EXPANDING SEAL DEVICE FOR SLIDING DOORS

4,144,688 3/1979 Dixon ..... 52/232  
4,307,543 12/1981 Schulthess ..... 49/501  
4,376,354 3/1983 Passovoy ..... 49/504  
4,488,387 12/1984 Foti ..... 49/493 X

[76] Inventor: George A. Allen, Jr., 3601 Old Gun Rd. West, Midlothian, Va. 23113

Primary Examiner—A. Hugo Word  
Attorney, Agent, or Firm—Mason, Fenwick & Lawrence

[\*\*] Term: 14 Years

[57] CLAIM

[21] Appl. No.: 844,063

The ornamental design for a combined smoke gasket and intumescent expanding seal device for sliding doors, as shown.

[22] Filed: Mar. 26, 1986

[52] U.S. Cl. .... D25/164; D25/119

DESCRIPTION

[58] Field of Search ..... 49/501, 504, 473; 52/232; D25/48, 119, 164, 124

FIG. 1 is a front perspective view, viewed from above, of a combined smoke gasket and intumescent expanding seal device for sliding doors showing my new design; FIG. 2 is a rear perspective view thereof, viewed from above; and

[56] References Cited

U.S. PATENT DOCUMENTS

3,964,214 6/1976 Wendt ..... 52/1  
4,045,930 9/1977 Dixon ..... 52/232

FIG. 3 is a horizontal sectional view thereof, taken along the line 3—3 of FIG. 1.

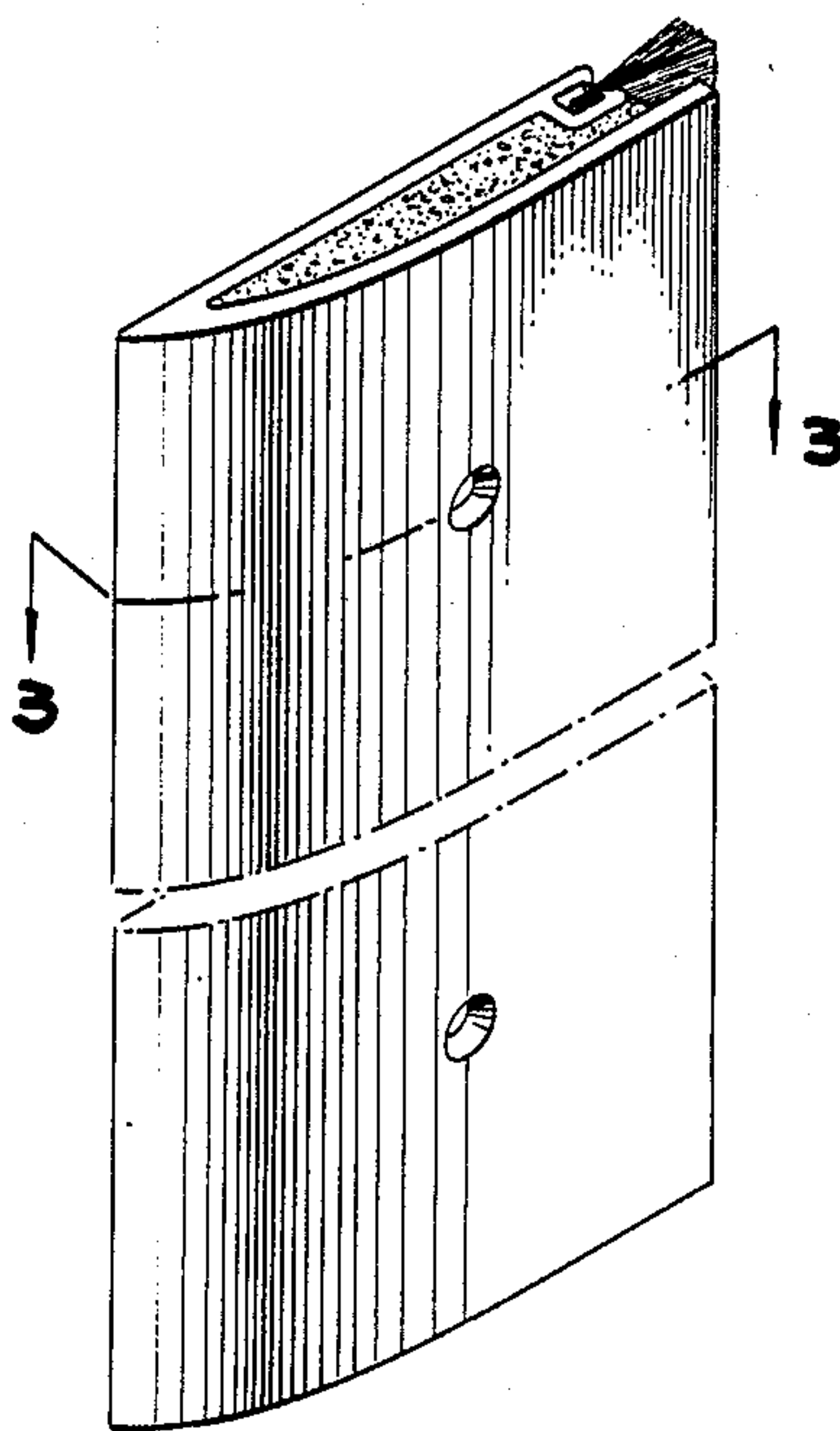


Fig-1

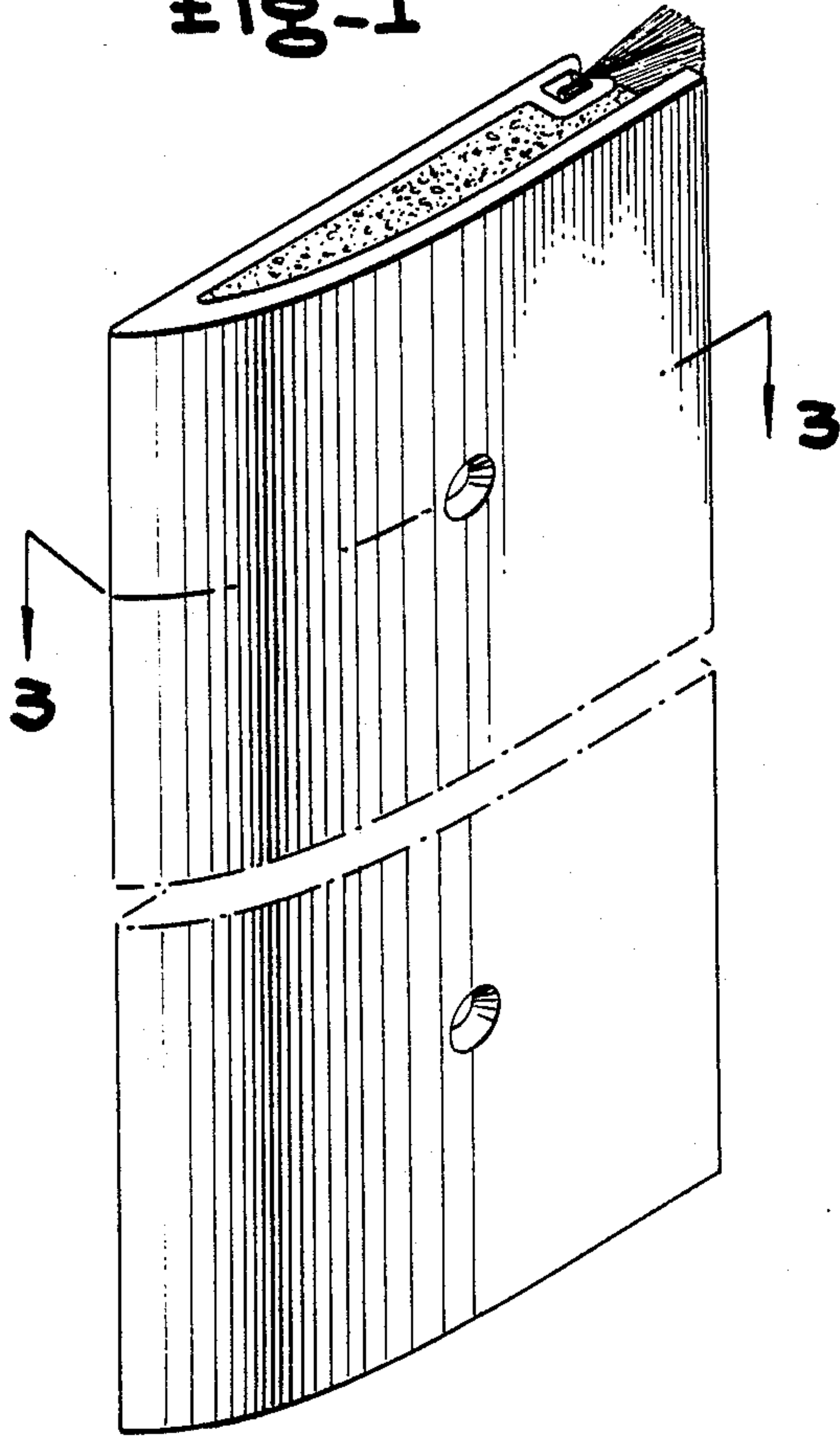


Fig-2

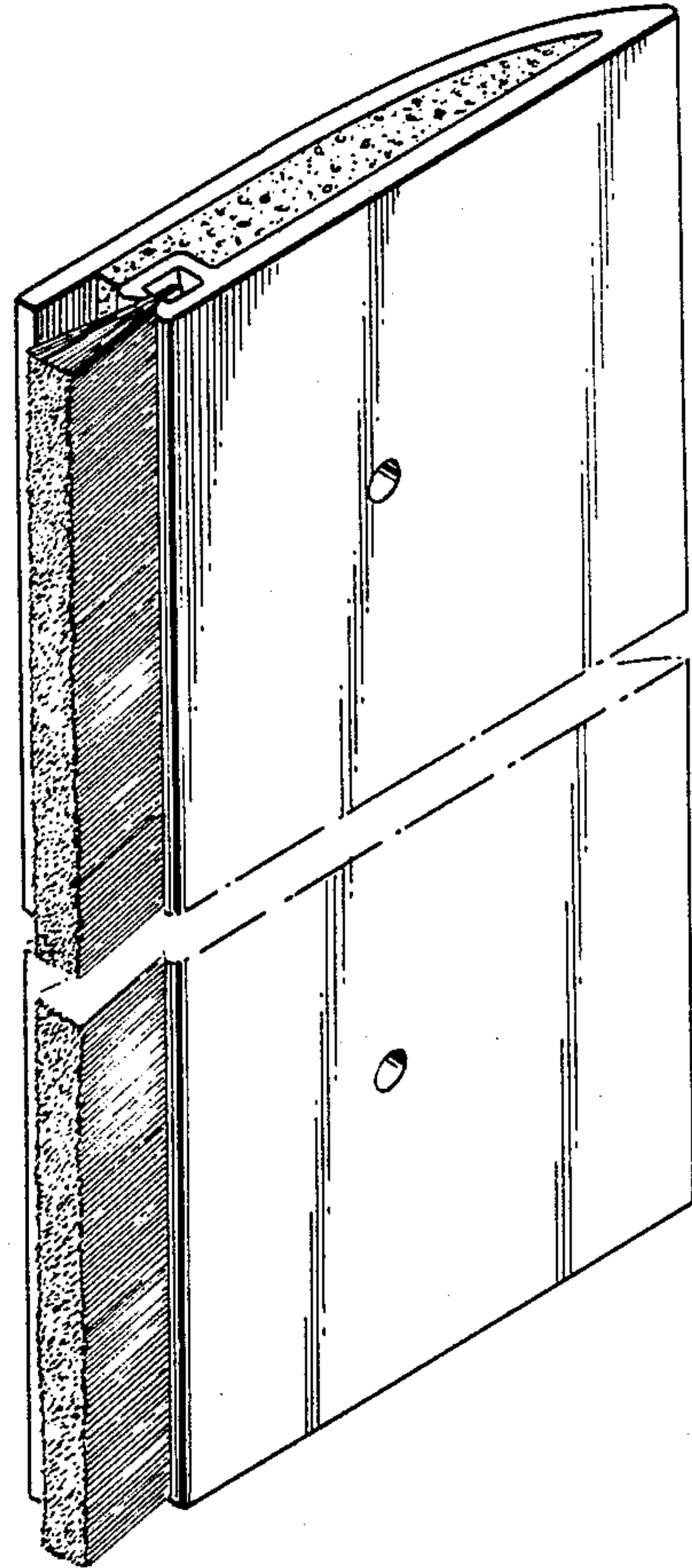


Fig-3

