

[54] VIDEO ENDOSCOPE LENS COUPLER

[75] Inventors: Edwin L. Adair, Englewood; John Wada, Denver, both of Colo.

[73] Assignee: Medical Dynamics, Inc., Englewood, Colo.

[**] Term: 14 Years

[21] Appl. No.: 834,433

[22] Filed: Feb. 19, 1986

[52] U.S. Cl. D24/17; D24/8

[58] Field of Search D24/8, 17; 128/6, 9, 128/4; 358/98

[56] References Cited

U.S. PATENT DOCUMENTS

- D. 287,629 1/1987 Feinbloom et al. D24/17
- 4,413,278 11/1983 Feinbloom 358/98

- 4,601,284 7/1986 Arakawa et al. 128/6
- 4,624,243 11/1986 Lowery et al. 128/6

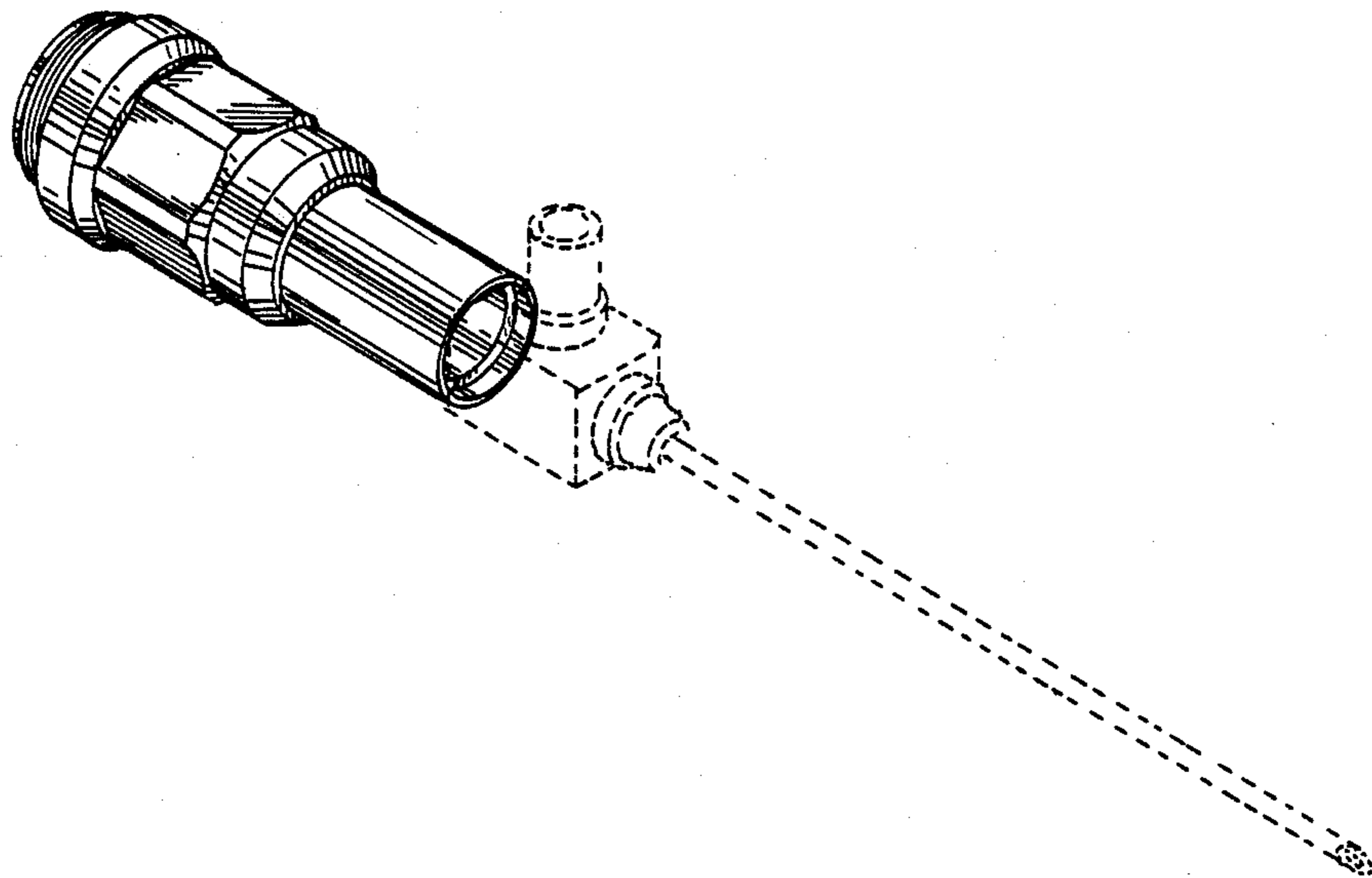
Primary Examiner—Wallace R. Burke
 Assistant Examiner—Stella M. Reid
 Attorney, Agent, or Firm—Fields, Lewis, Pittenger & Rost

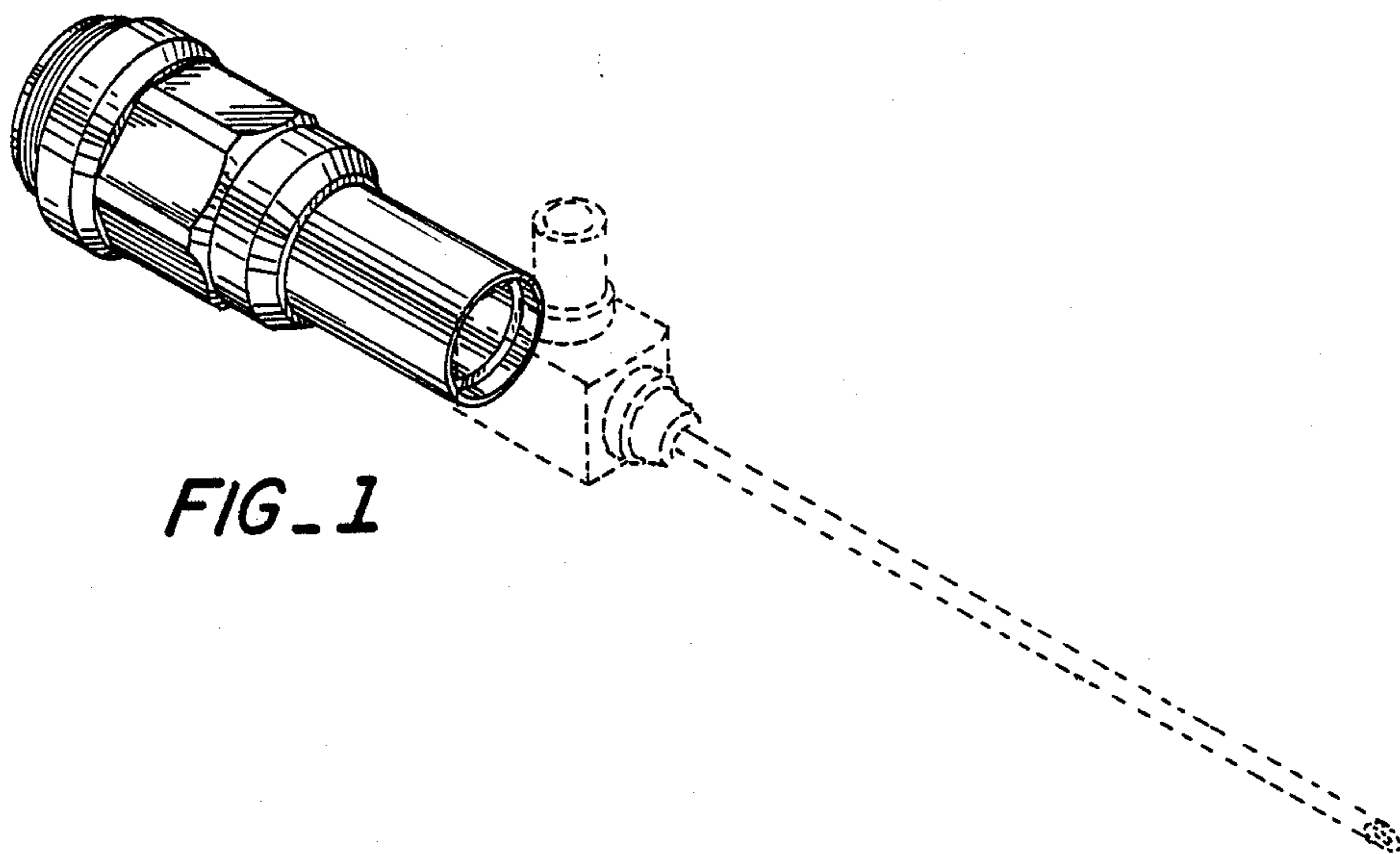
[57] CLAIM

The ornamental design for a video endoscope lens coupler, as shown and described.

DESCRIPTION

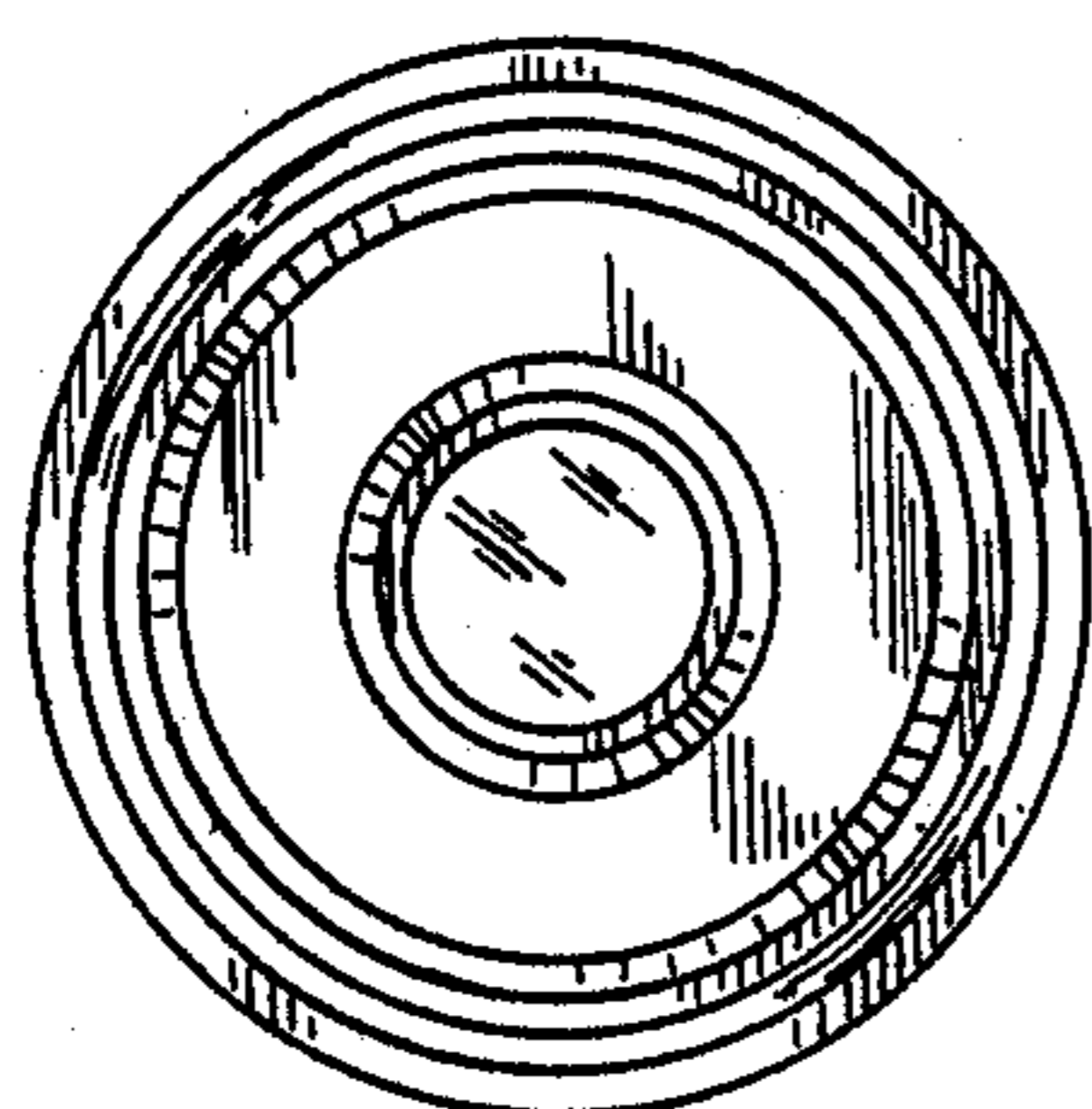
FIG. 1 is a perspective view of a video endoscope lens coupler, showing our new design, the broken line showing of the endoscope being for illustrative purposes only and forming no part of the claimed design; FIG. 2 is a front elevational view thereof; FIG. 3 is a right side elevational view thereof; FIG. 4 is a left side elevational view thereof; and FIG. 5 is a rear elevational view thereof.



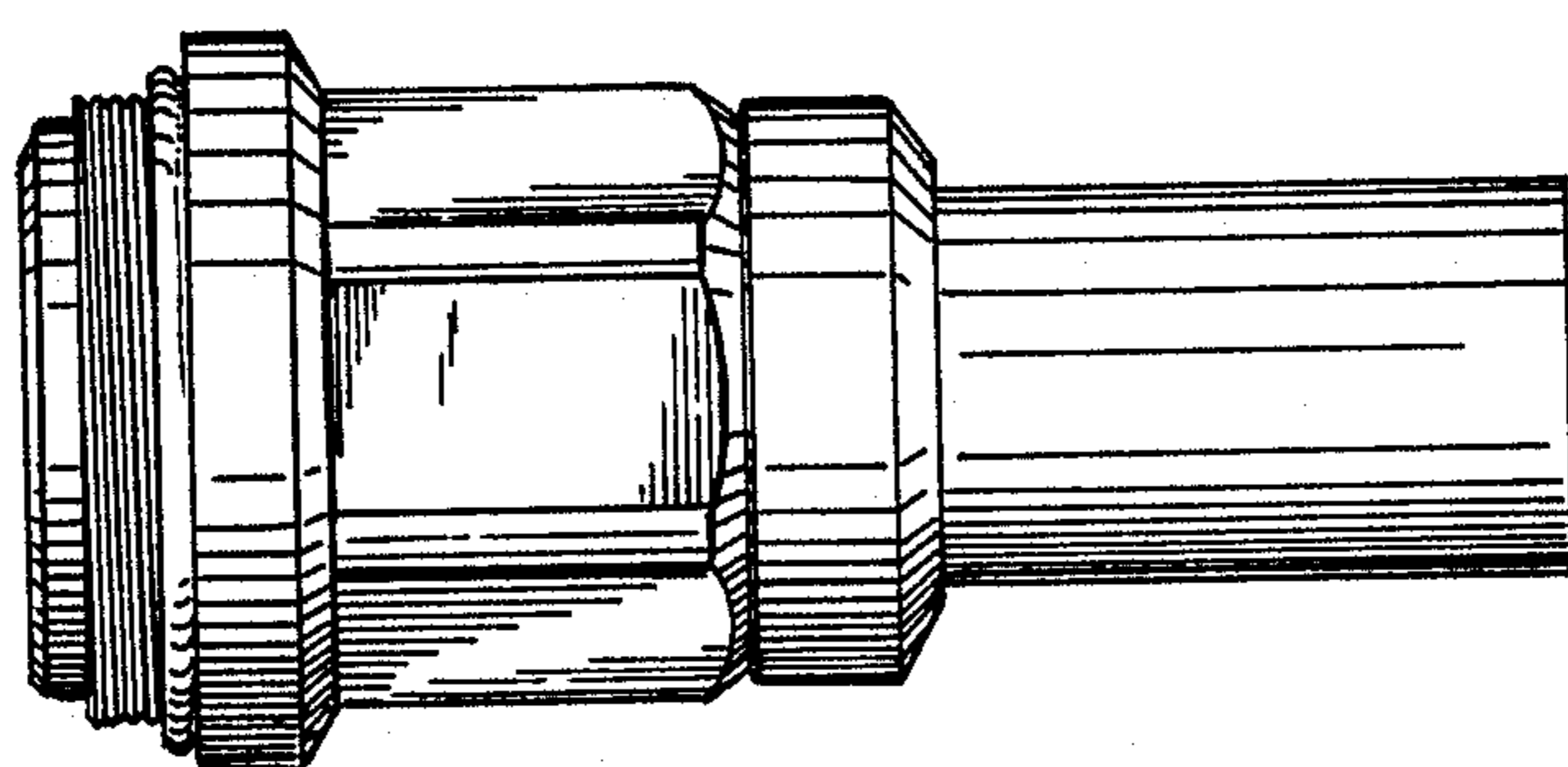
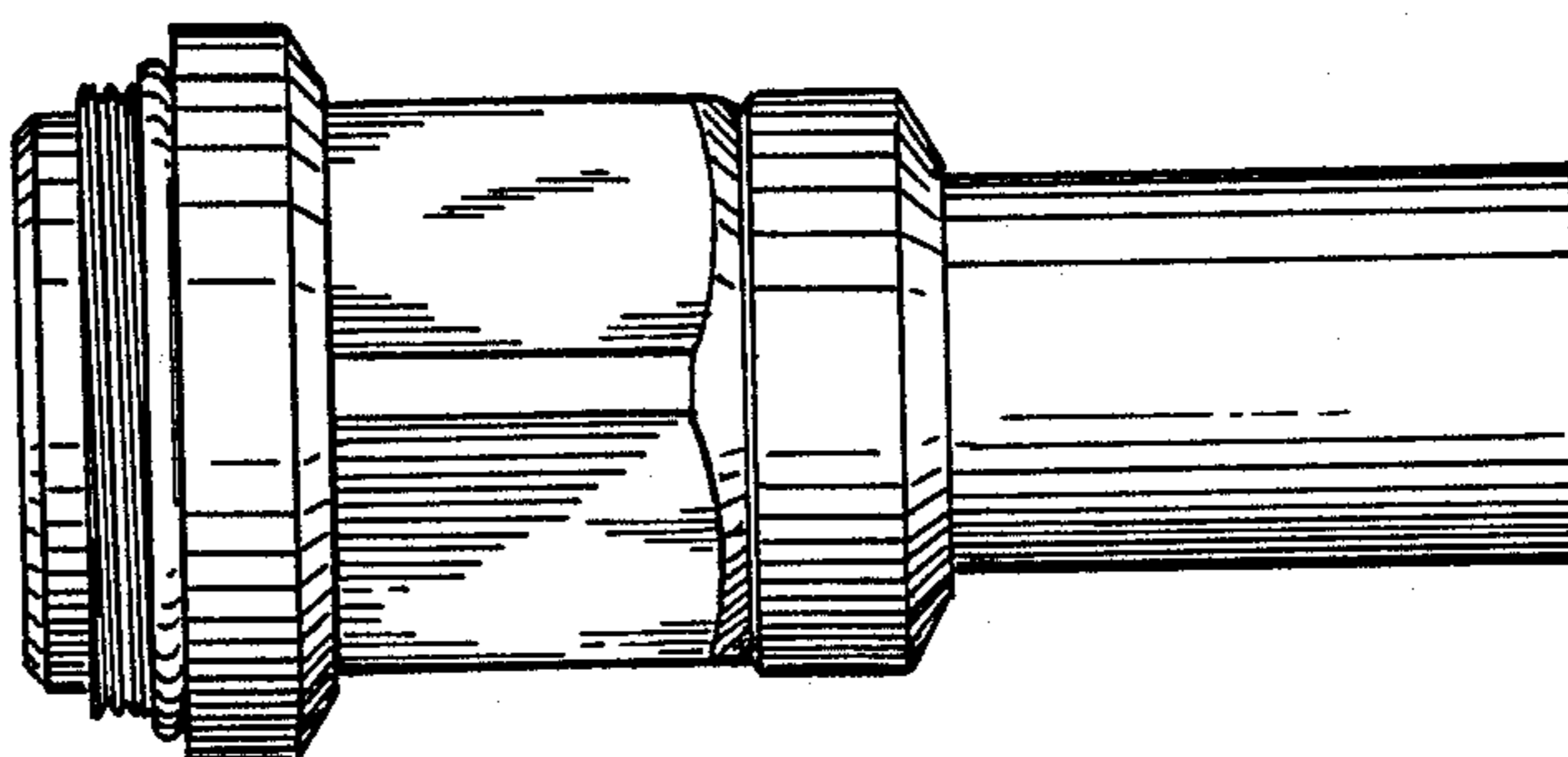


FIG_1

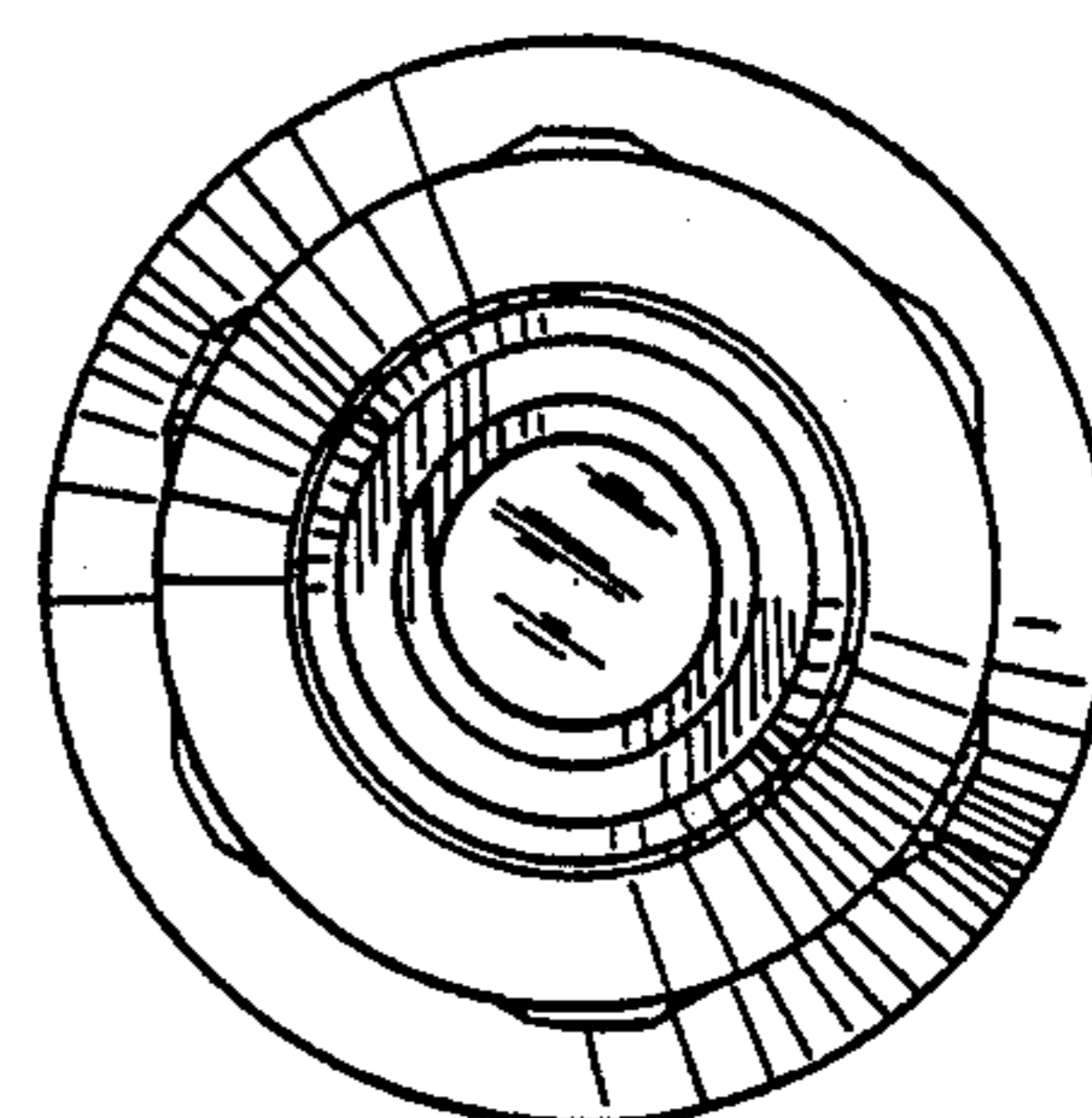
FIG_2



FIG_3



FIG_4



FIG_5