

[54] SHOWER STALL BASE
[75] Inventors: John D. Burgess, Loretto; Thomas E. Taylor, Rexdale, both of Canada

[73] Assignee: Acriform Engineering Inc., Newmarket, Canada

[**] Term: 14 Years

[21] Appl. No.: 842,881

[22] Filed: Mar. 13, 1986

[30] Foreign Application Priority Data

Oct. 11, 1985 [CA] Canada 11-10-85-8

[52] U.S. Cl. D23/283

[58] Field of Search D23/270-275, D23/277-283, 303-307; D24/38; 4/538, 559, 571, 573, 575, 578, 584, 589, 590, 592, 594, 596, 597, 599, 600, 607, 608, 610-614

[56] References Cited

U.S. PATENT DOCUMENTS

D. 255,829	7/1980	Swenson	D23/283
2,204,929	6/1940	Fairhurst	4/614 X
2,757,385	8/1956	Whittick	4/613
2,836,830	6/1958	Norman	4/613
3,096,526	7/1963	Vecenie	4/590
3,149,347	9/1964	Embrosen	4/614 X
3,363,267	1/1968	Kaiser et al.	4/613
3,422,464	1/1969	O'Brien	4/607

3,800,335	4/1974	Buonaura	4/613
3,895,398	7/1975	Mustee	4/613
4,423,528	1/1984	Wiedmeier	4/613

Primary Examiner—James R. Largen
Attorney, Agent, or Firm—Ridout & Maybee

[57] CLAIM

The ornamental design for shower stall base, as shown and described.

DESCRIPTION

FIG. 1 is a perspective view taken from the top, front and left side of a shower stall base showing our new design;

FIG. 2 is a perspective view taken from the bottom rear and right side thereof;

FIG. 3 is a top plan view thereof;

FIG. 4 is a perspective view taken from the top, front and left side of a modified form of the shower stall base shown in FIG. 1;

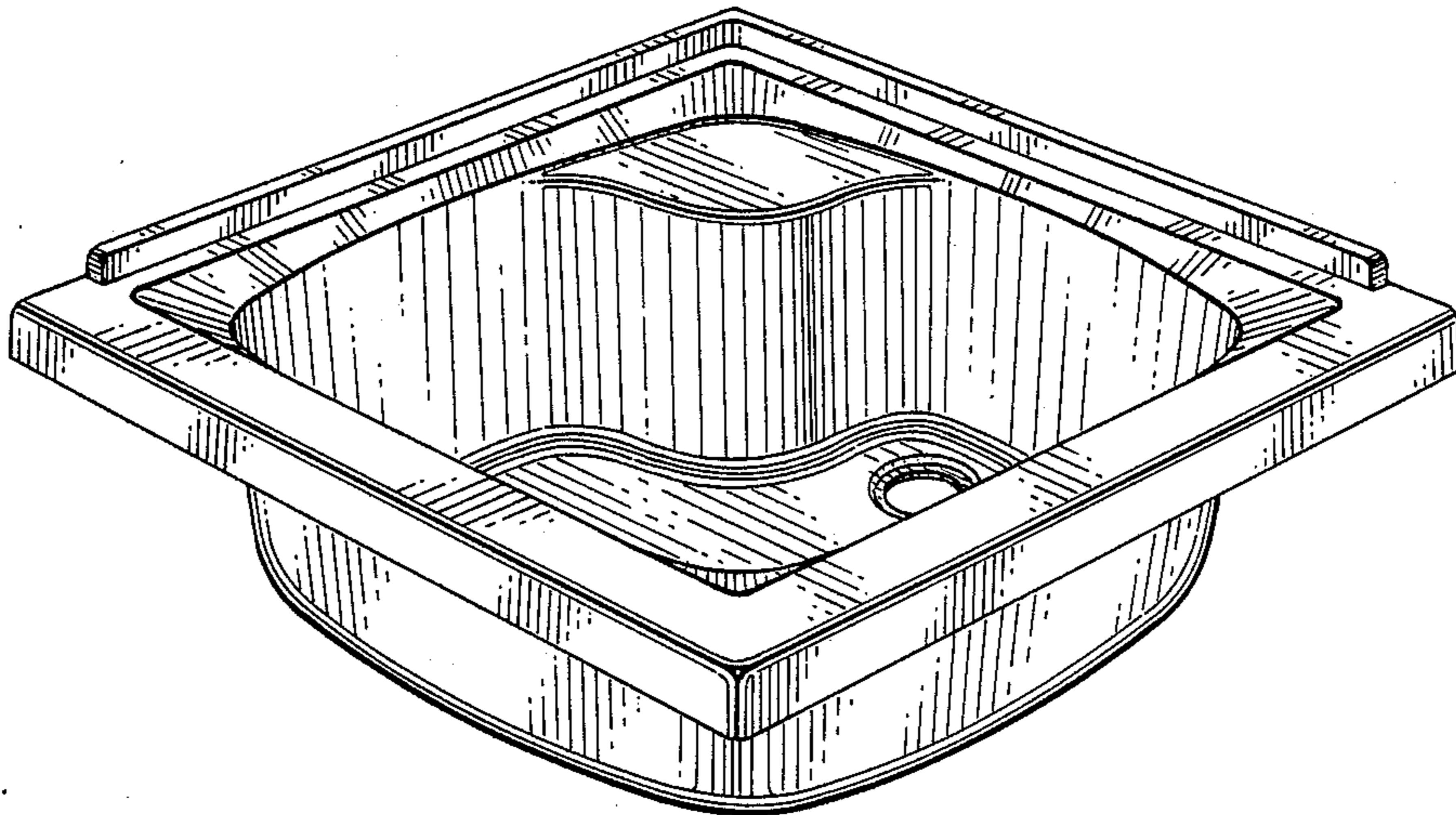
FIG. 5 is a perspective view taken from the bottom rear and right side of FIG. 4;

FIG. 6 is a top plan view of FIG. 4;

FIG. 7 is a perspective view of taken from the top, front and left side of a second modified form of the shower stall base shown in FIG. 1;

FIG. 8 is a perspective view taken from the bottom, rear and right side of FIG. 7; and,

FIG. 9 is a top plan view of FIG. 7.



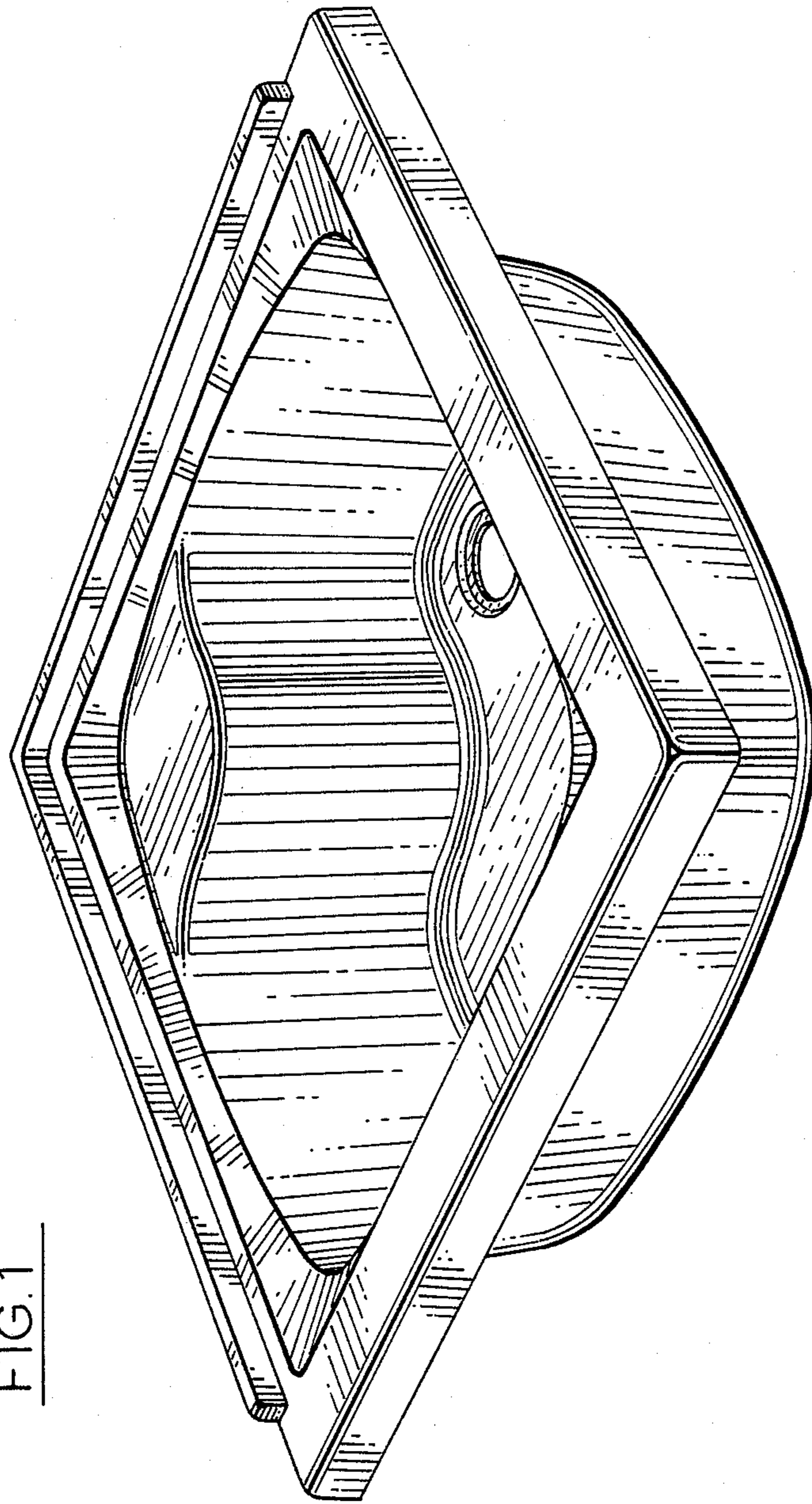
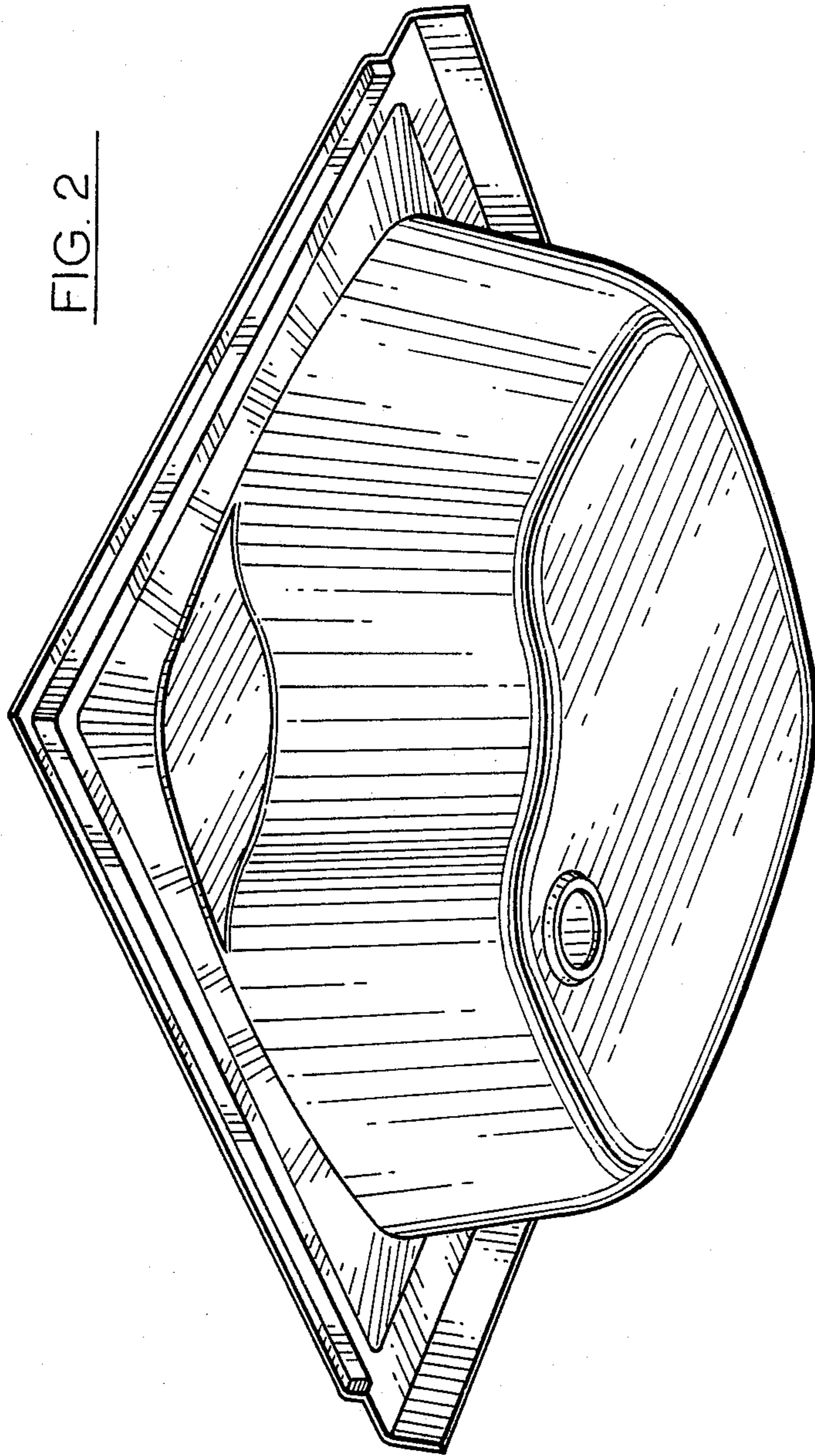


FIG. 1

FIG. 2



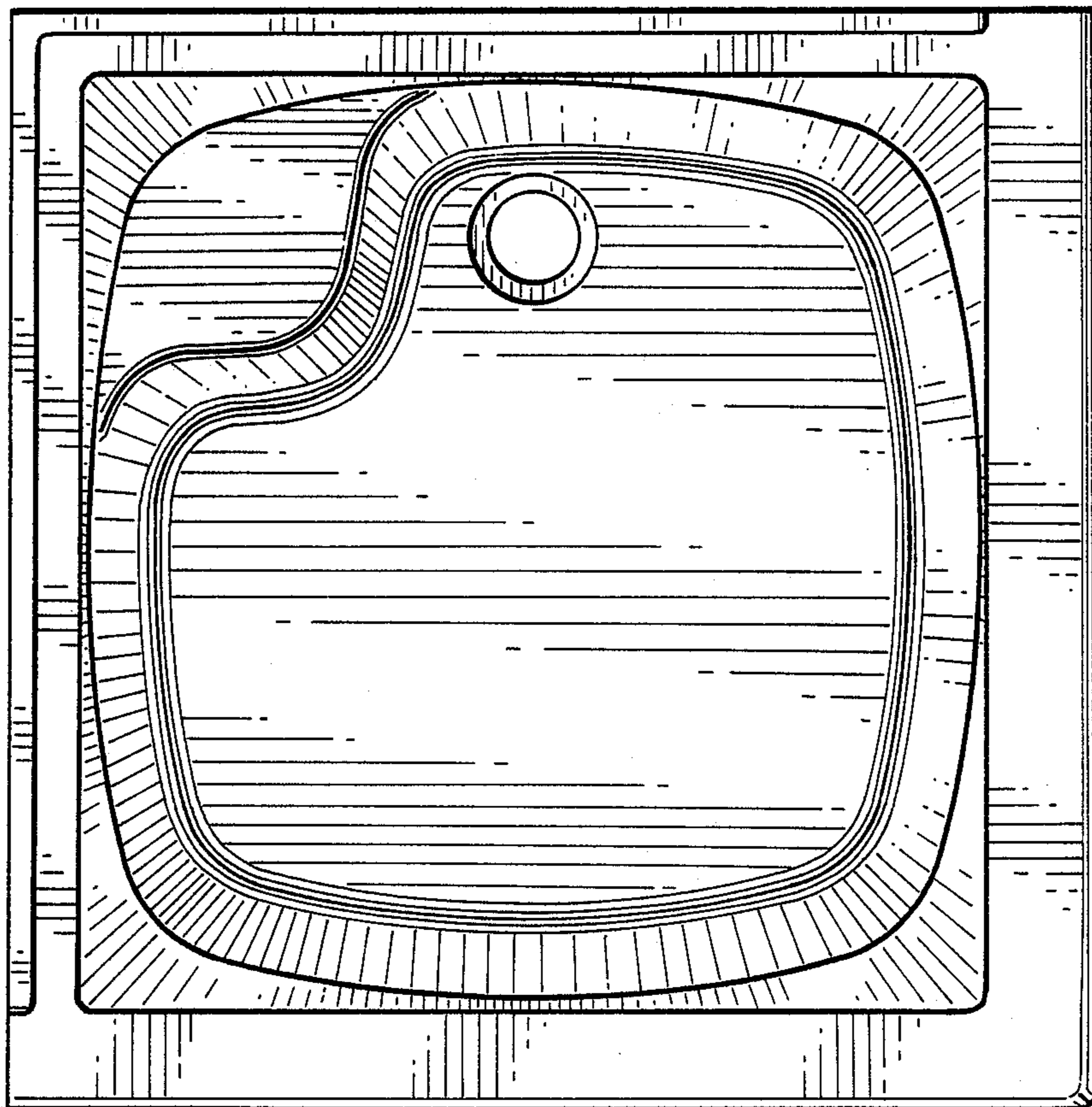
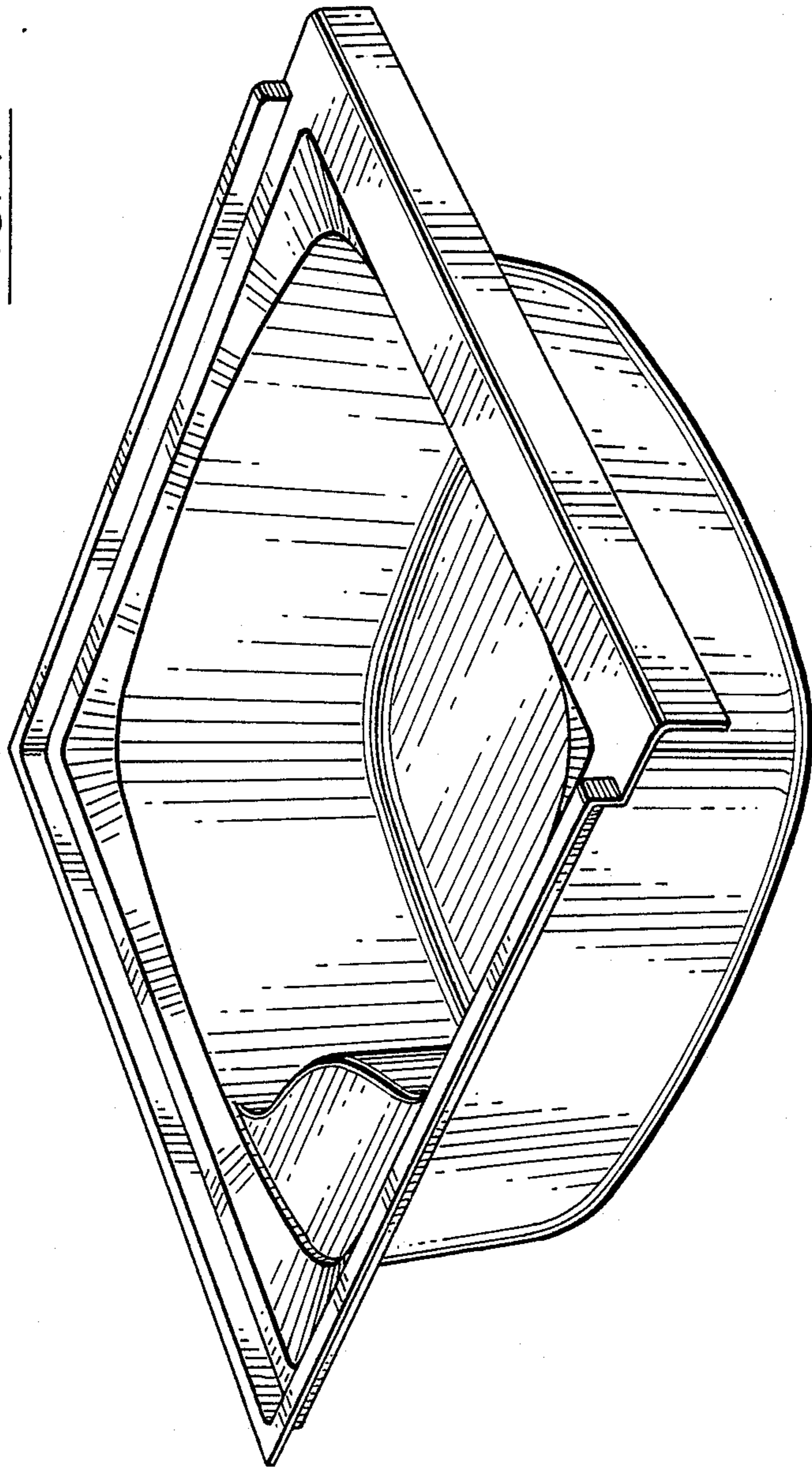


FIG. 3

FIG. 4



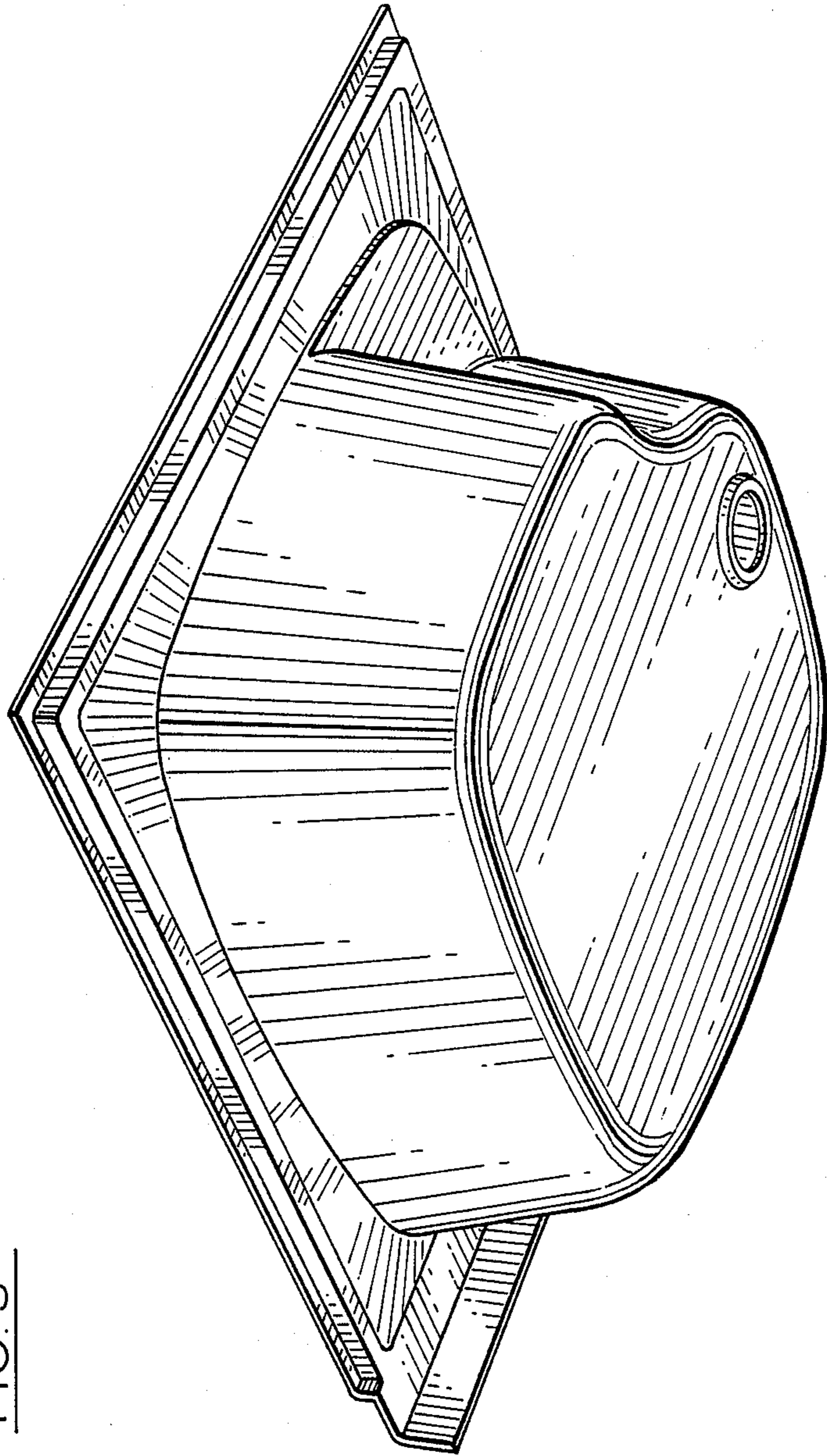
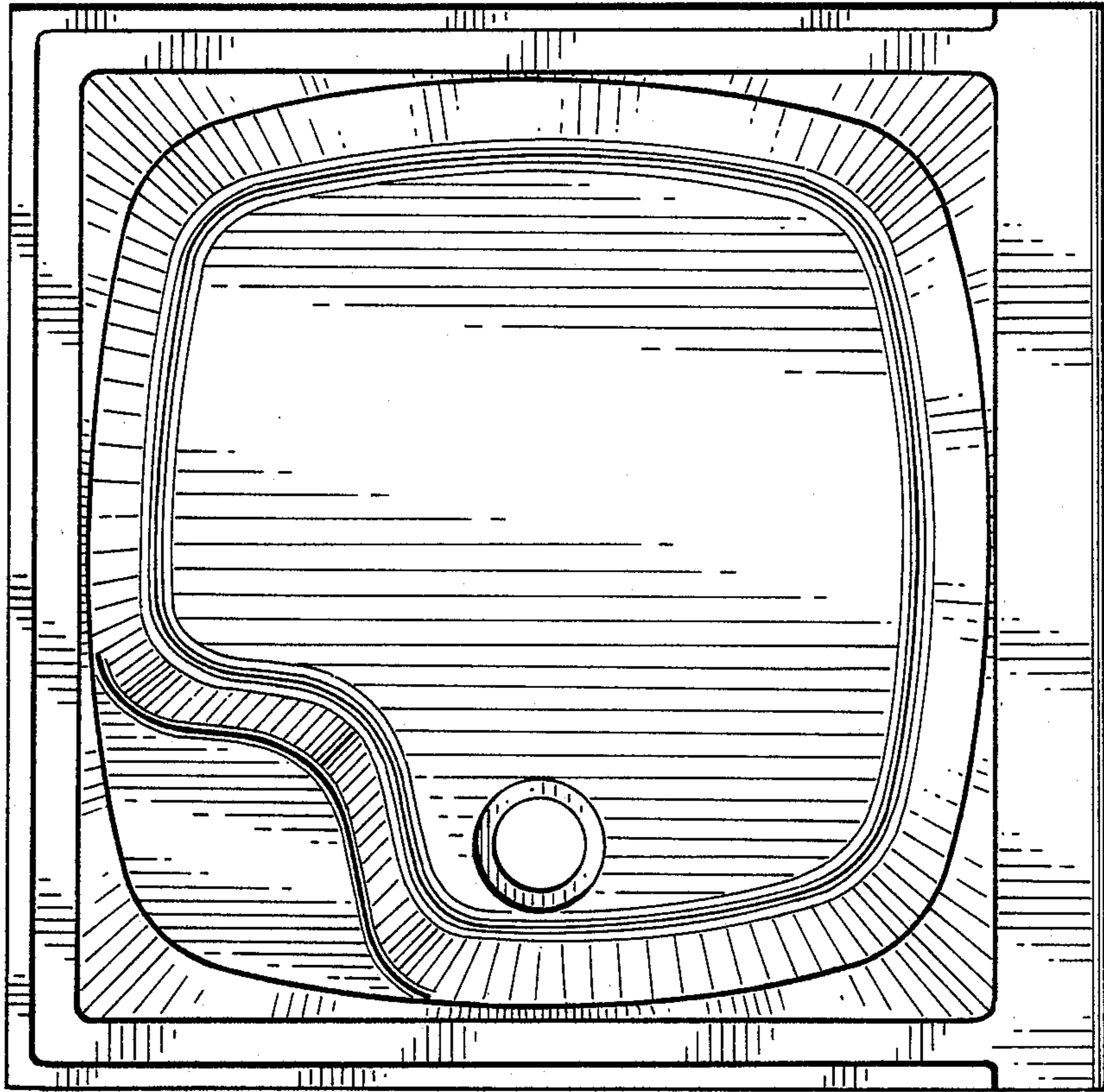


FIG. 5

FIG. 6



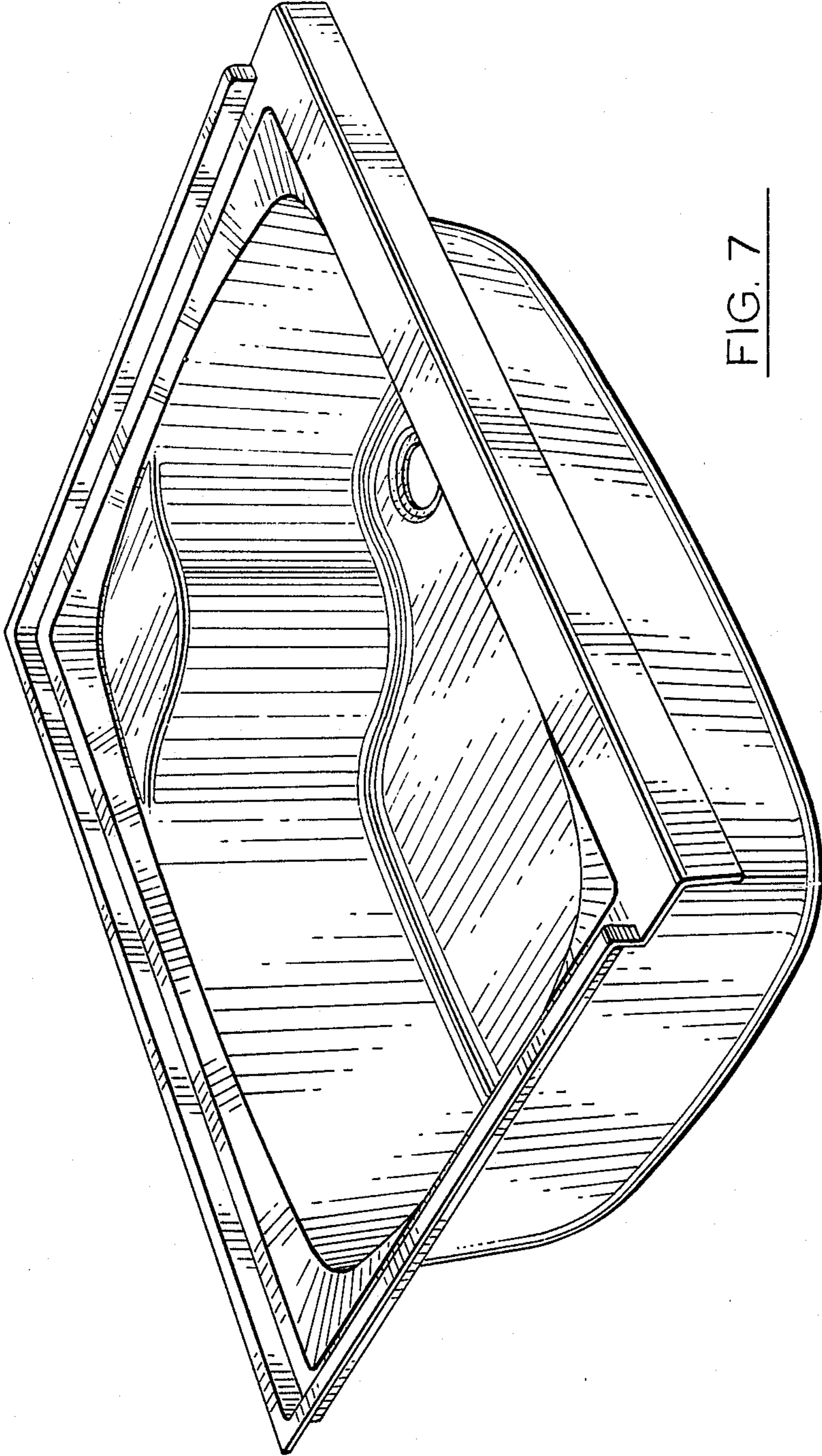
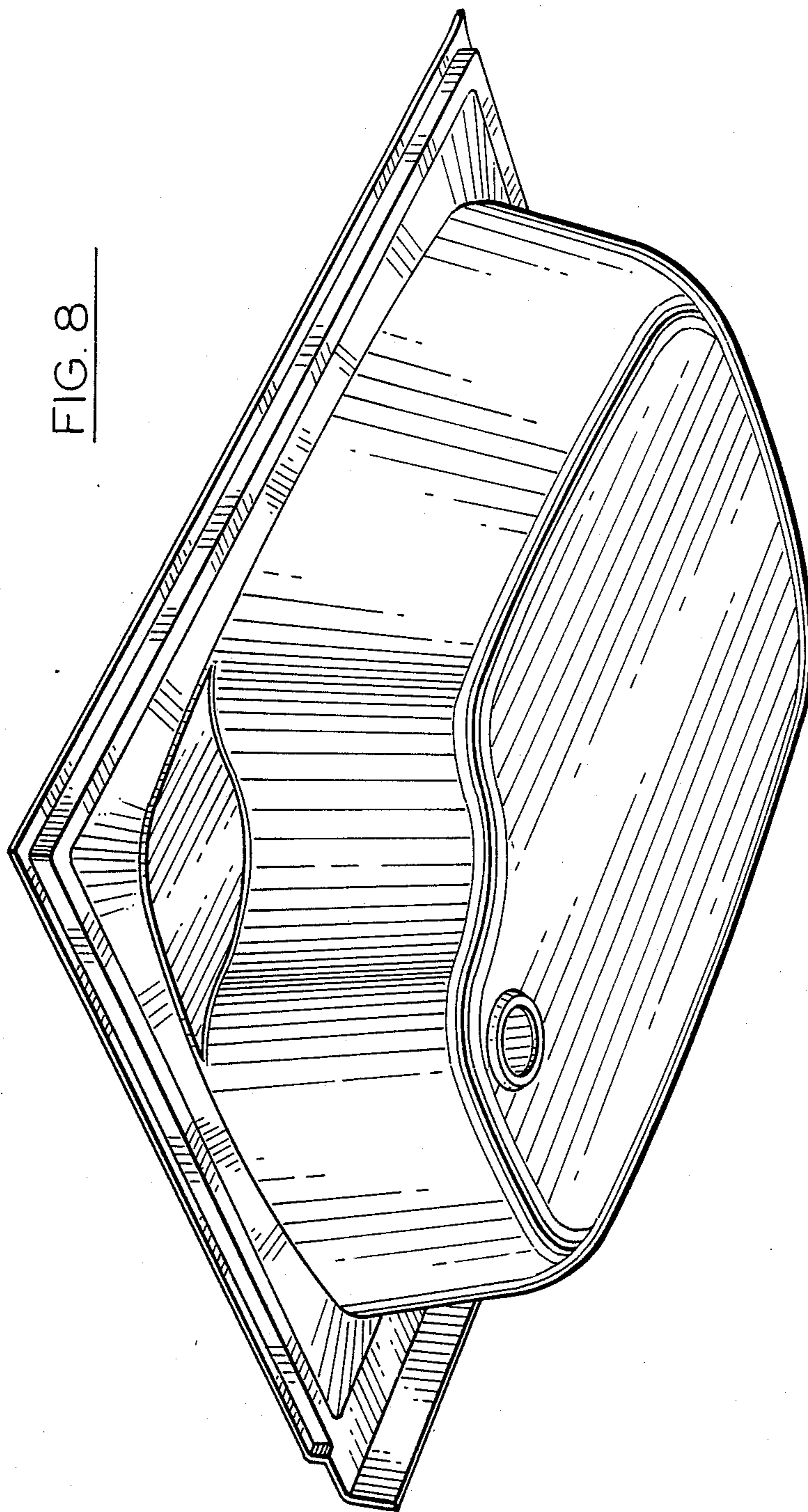


FIG. 7

FIG. 8



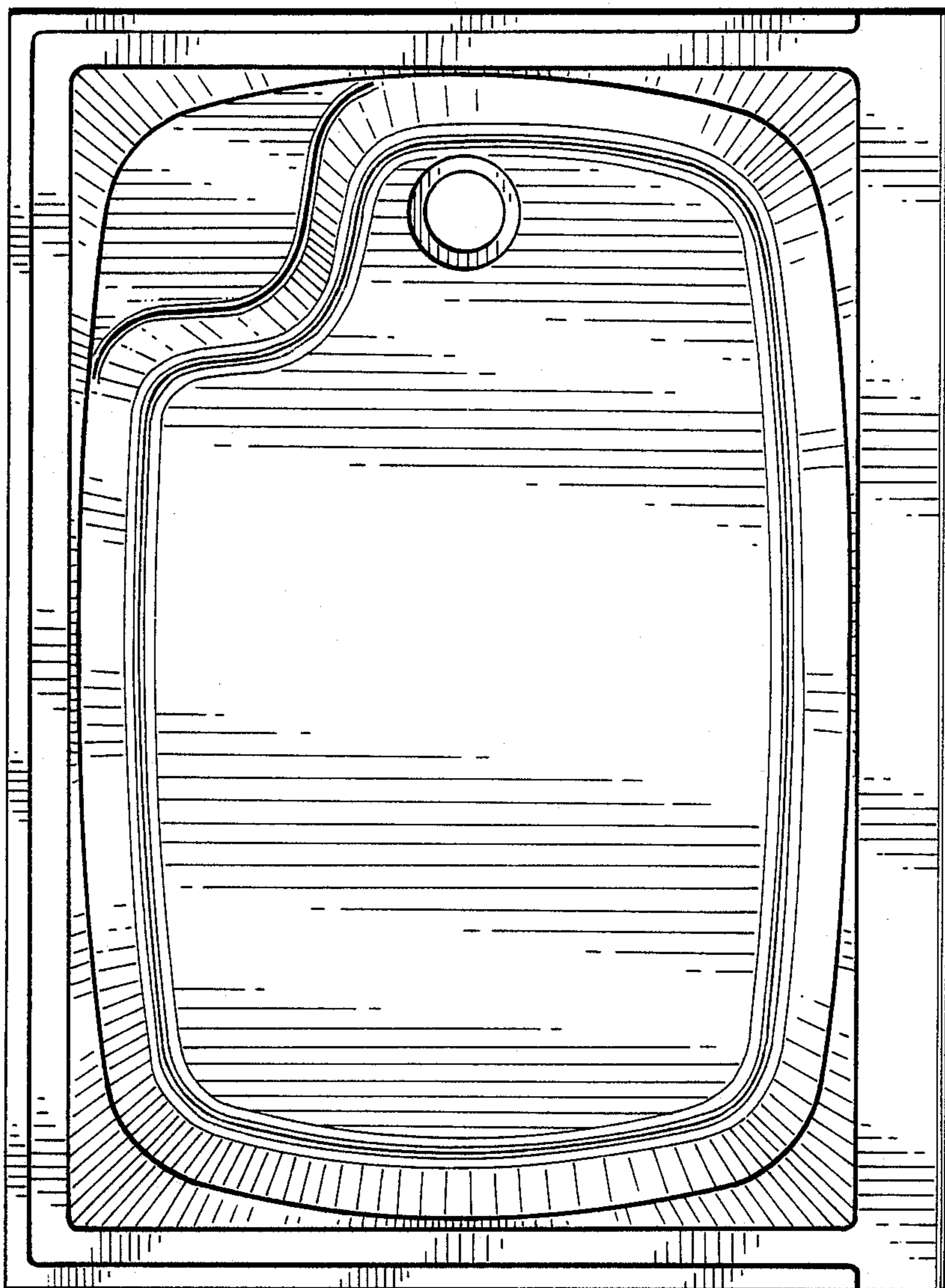


FIG. 9