

[54] COMBINED TOILET AND WASH BASIN UNIT

[75] Inventor: Michael B. Robinson, Malvern, Australia

[73] Assignee: Merlin Fiberglass Pty. Ltd., Australia

[**] Term: 14 Years

[21] Appl. No.: 778,134

[22] Filed: Sep. 20, 1985

[52] U.S. Cl. D23/274

[58] Field of Search D23/270-274; 4/663, 664

[56] References Cited

U.S. PATENT DOCUMENTS

D. 186,266	10/1959	Amery	D23/274
D. 219,341	12/1970	Jacoby et al.	D23/274
D. 240,627	7/1976	Morris	D23/274
D. 265,235	6/1982	Keller	D23/274
D. 288,710	3/1987	Campbell	D23/274
2,173,185	9/1939	Stanton	D23/273
2,355,615	8/1974	Helmuth	D23/273
3,124,808	3/1964	Tiller	4/664
3,829,906	8/1974	McPhee	4/664
4,377,875	3/1983	Brubakken	4/667 X

Primary Examiner—James R. Largen
Attorney, Agent, or Firm—Andrus, Sceales, Starke & Sawall

[57] CLAIM

The ornamental design for a combined toilet and wash basin unit, as shown.

DESCRIPTION

FIG. 1 is a perspective view taken from the top, front and left side of a combined toilet and wash basin unit showing my new design;

FIG. 2 is a right side elevational view thereof;

FIG. 3 is a top plan view thereof;

FIG. 4 is a front elevational view thereof;

FIG. 5 is a perspective view taken from the top, front and left side of a modified form of the combined toilet and wash basin unit shown in FIG. 1;

FIG. 6 is a right side elevational view of FIG. 5;

FIG. 7 is a top plan view of FIG. 5;

FIG. 8 is a front elevational view of FIG. 5;

FIG. 9 is a perspective view taken from the top, front and left side of a second modified form of the combined toilet and wash basin unit shown in FIG. 1;

FIG. 10 is a right side elevational view of FIG. 9;

FIG. 11 is a top plan view of FIG. 9;

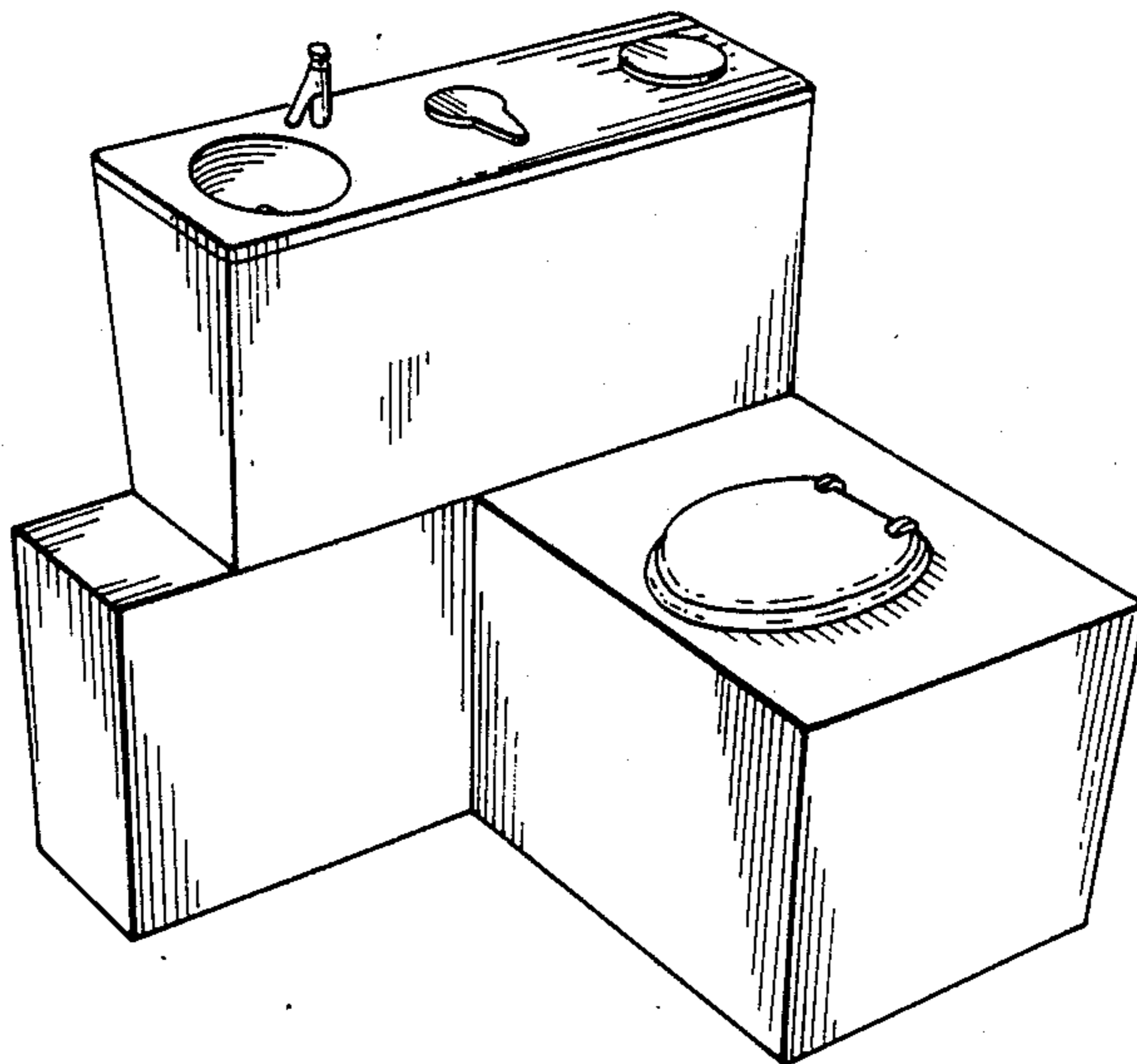
FIG. 12 is a front elevational view of FIG. 9;

FIG. 13 is a perspective view taken from the top, front and left side of a third modified form of the combined toilet and wash basin unit shown in FIG. 1;

FIG. 14 is a right side elevational view of FIG. 13;

FIG. 15 is a top plan view of FIG. 13; and

FIG. 16 is a front elevational view of FIG. 13.



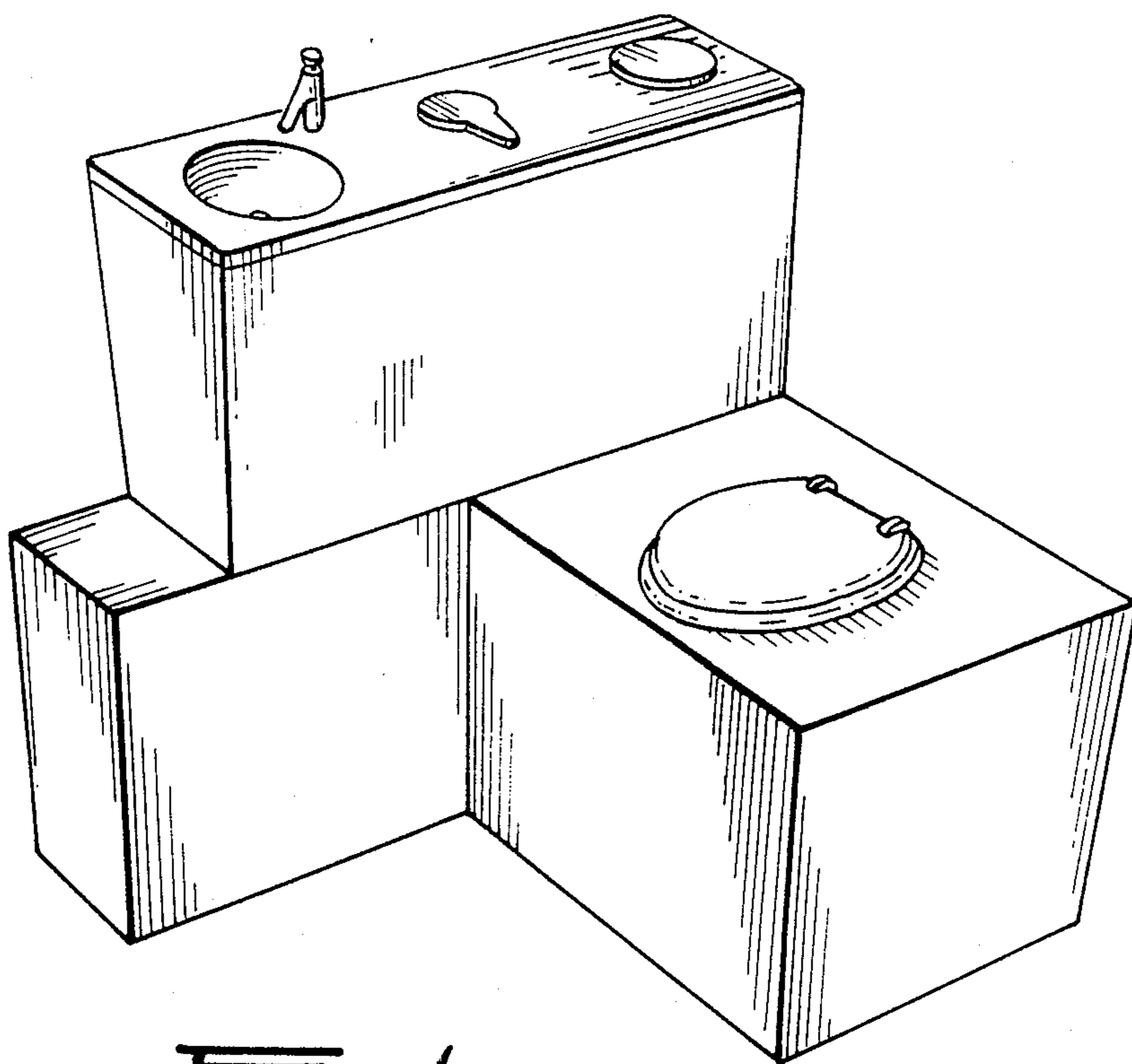


FIG. 1.

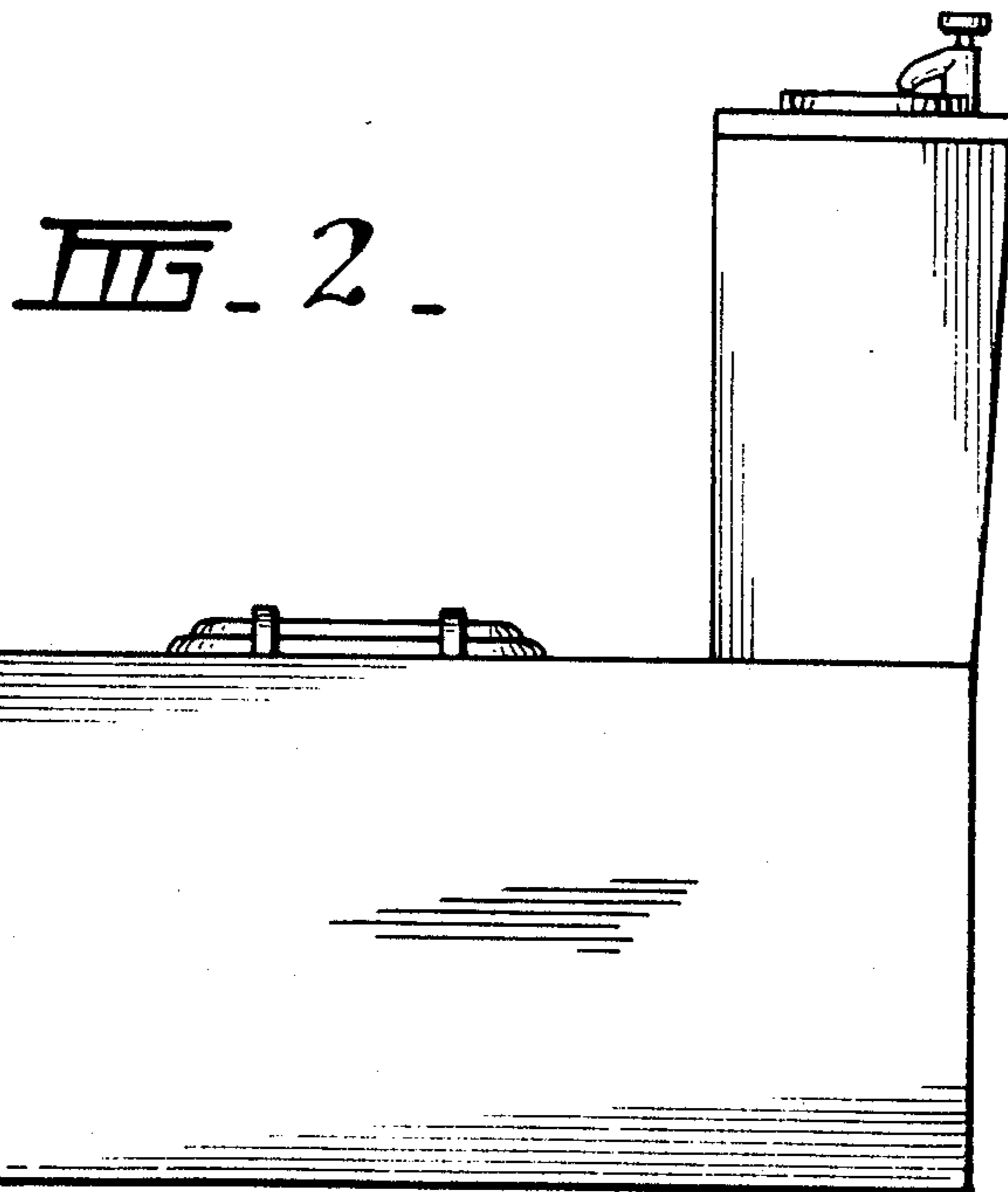


FIG. 2.

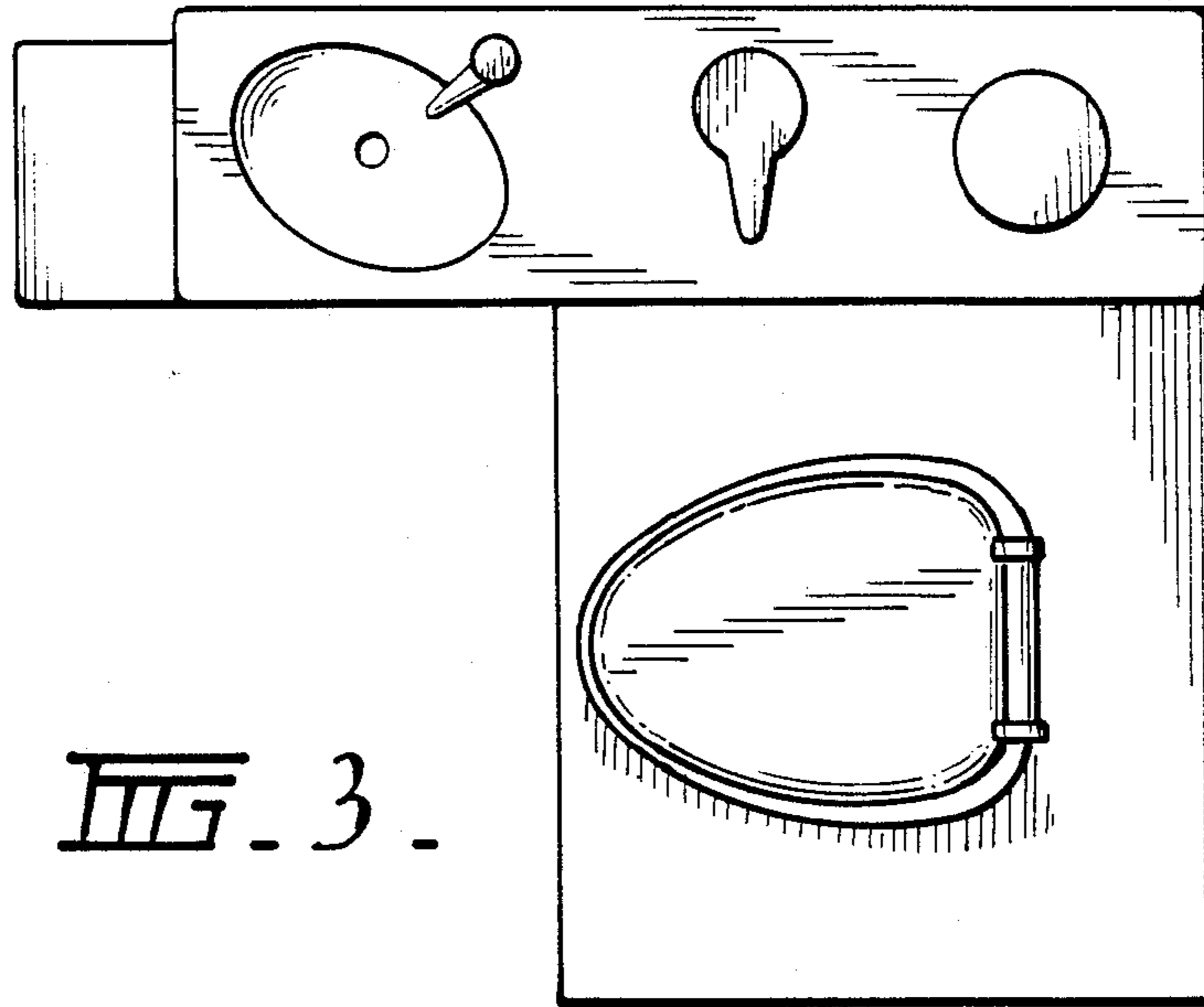
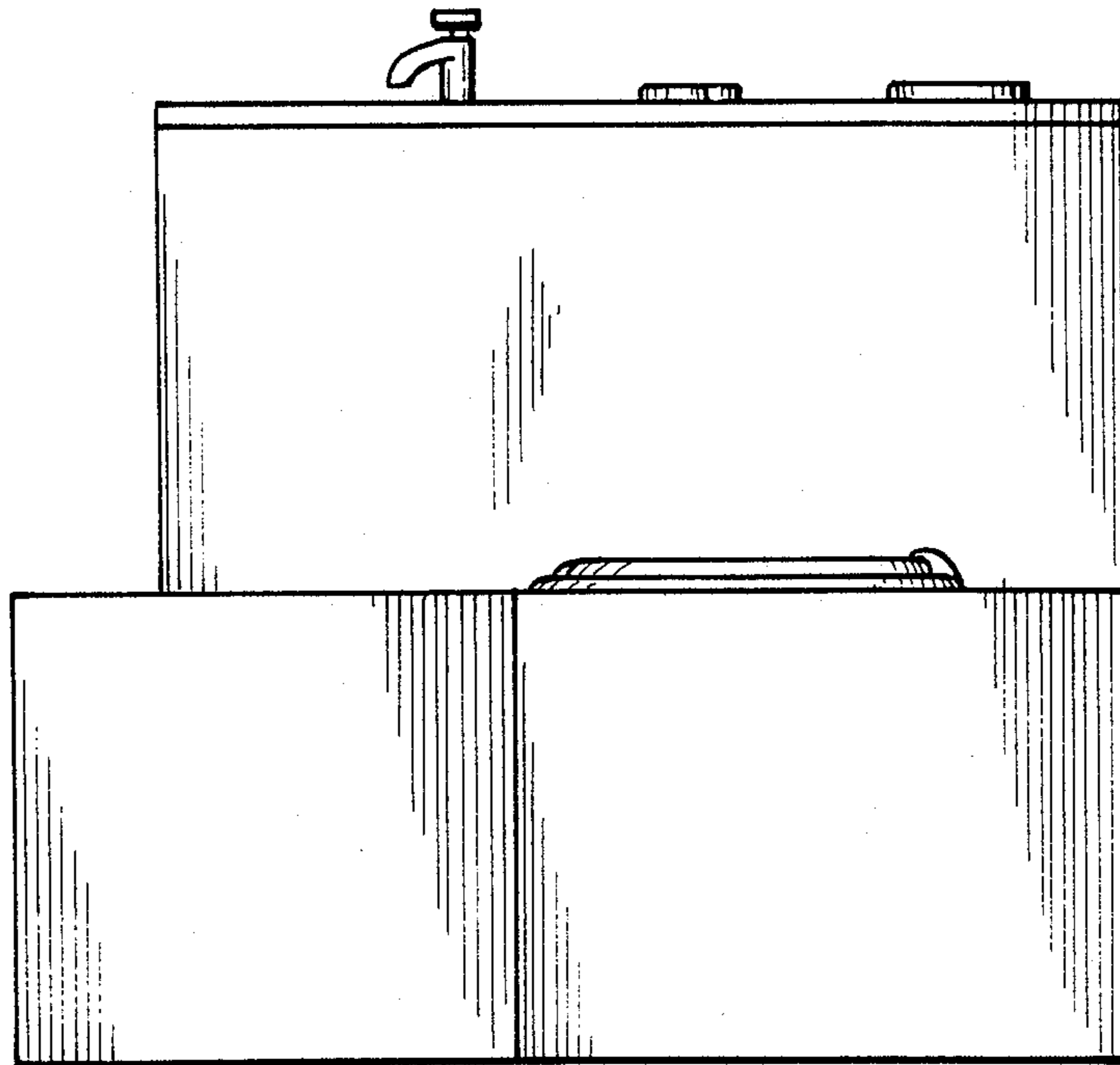


FIG. 4.



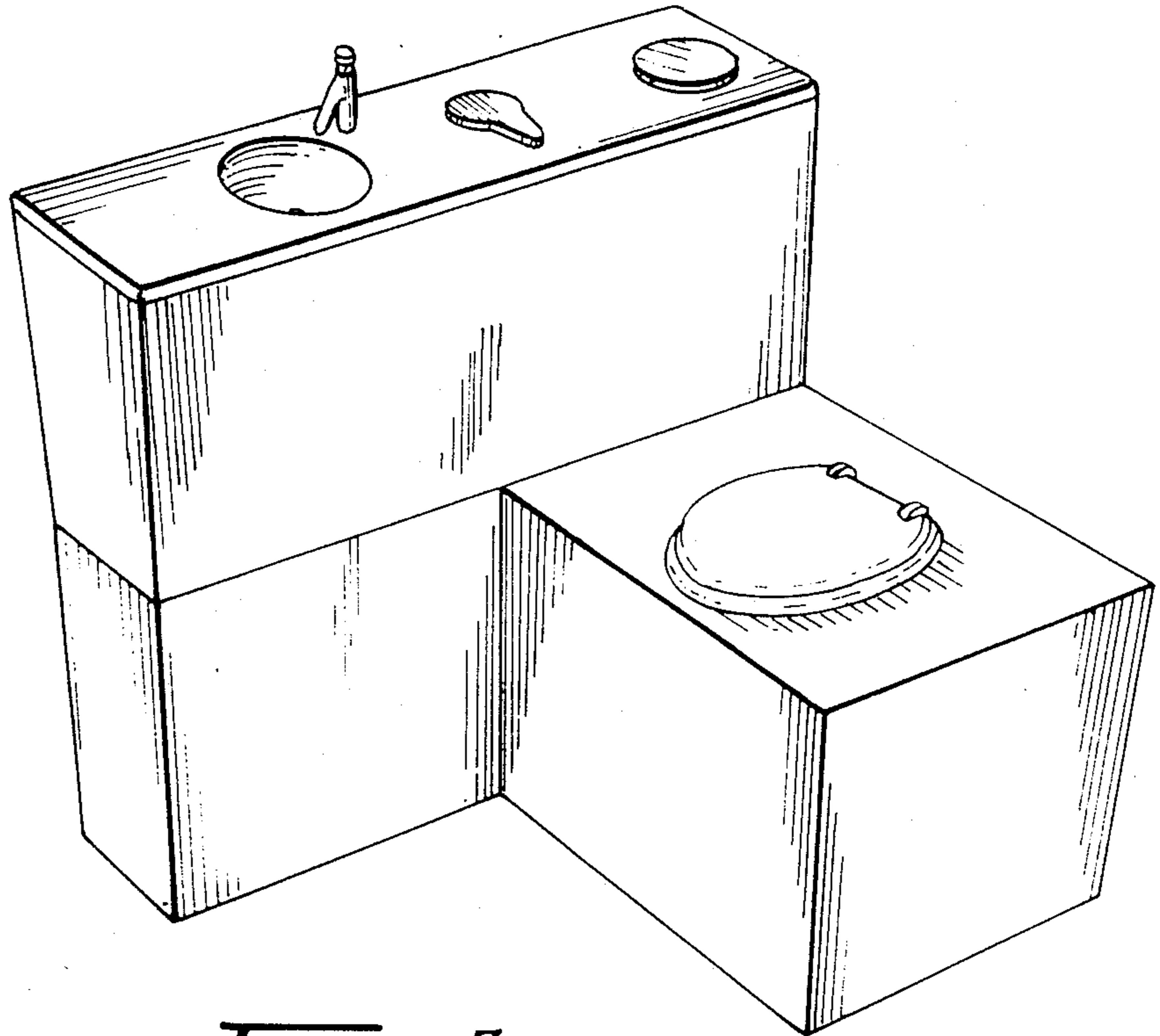


FIG. 5

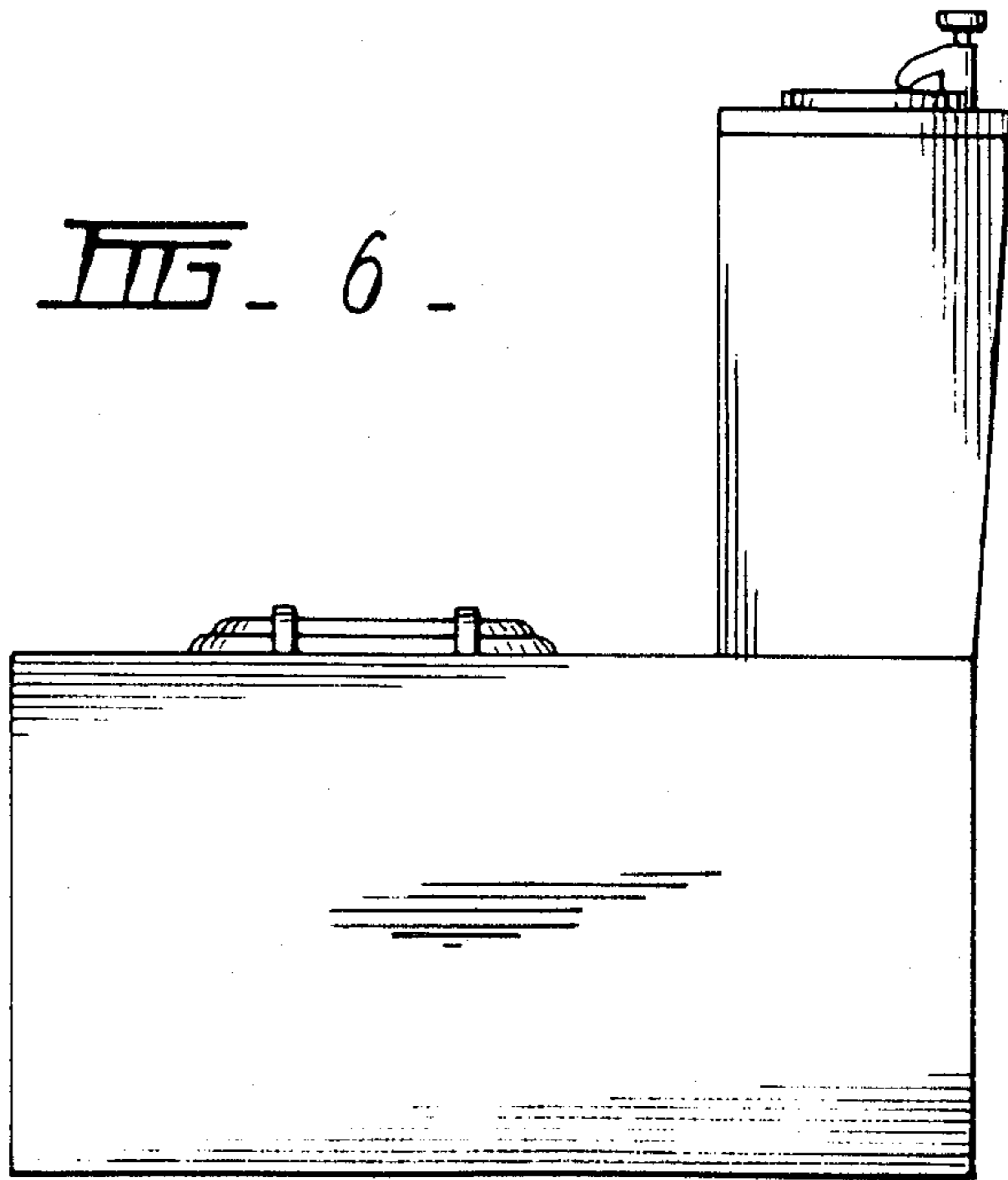


FIG. 6

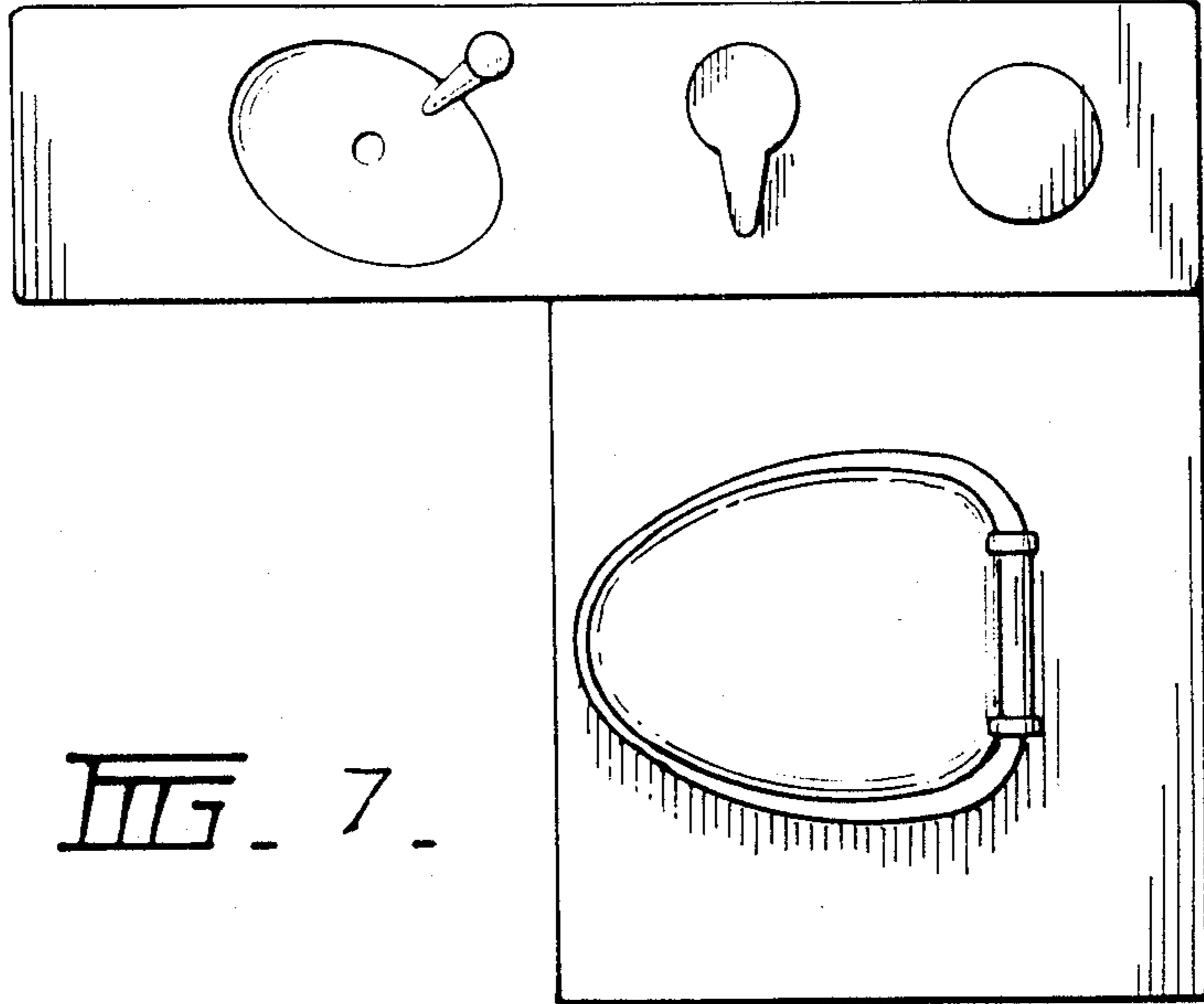
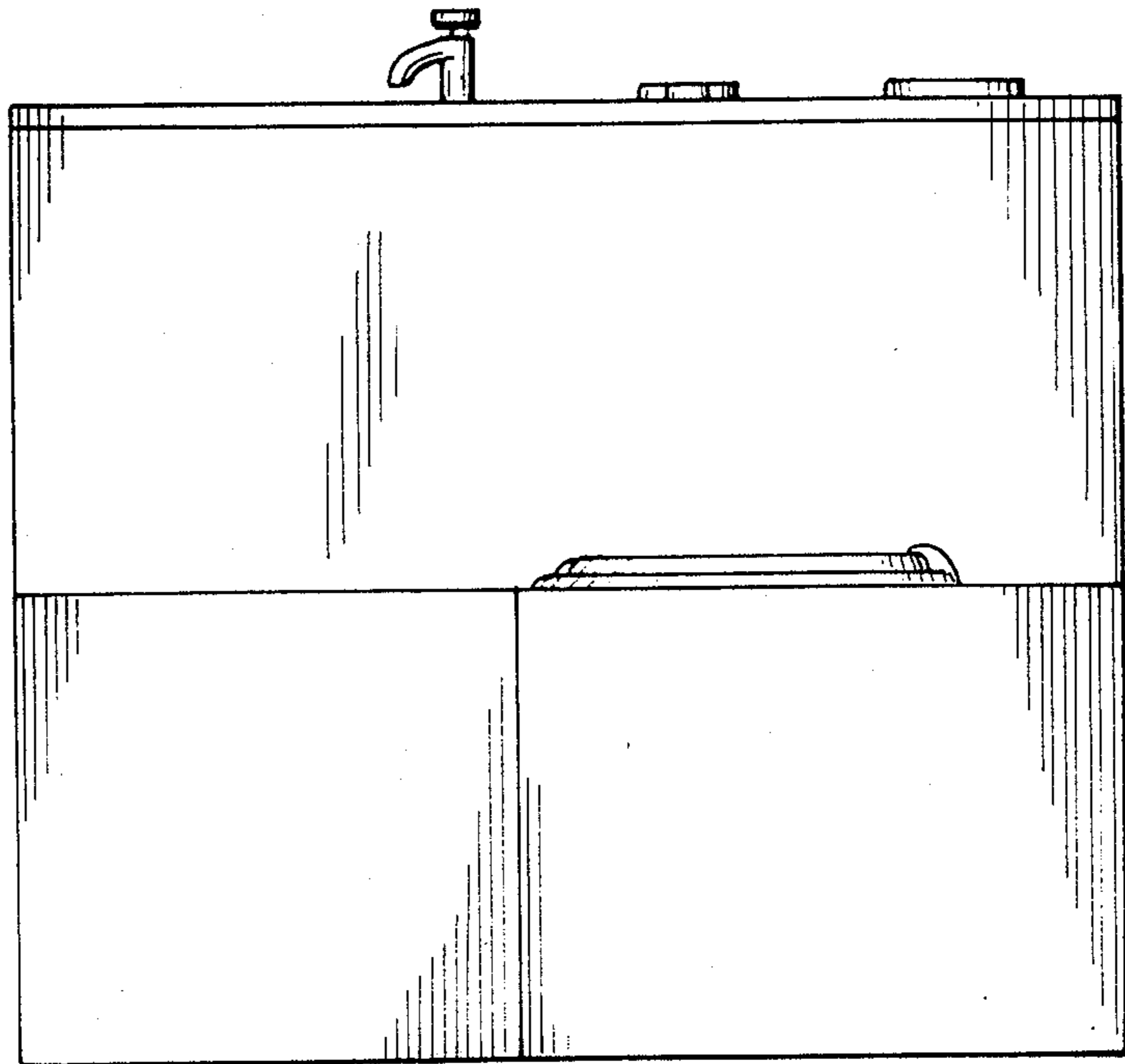


FIG. 7.

FIG. 8.



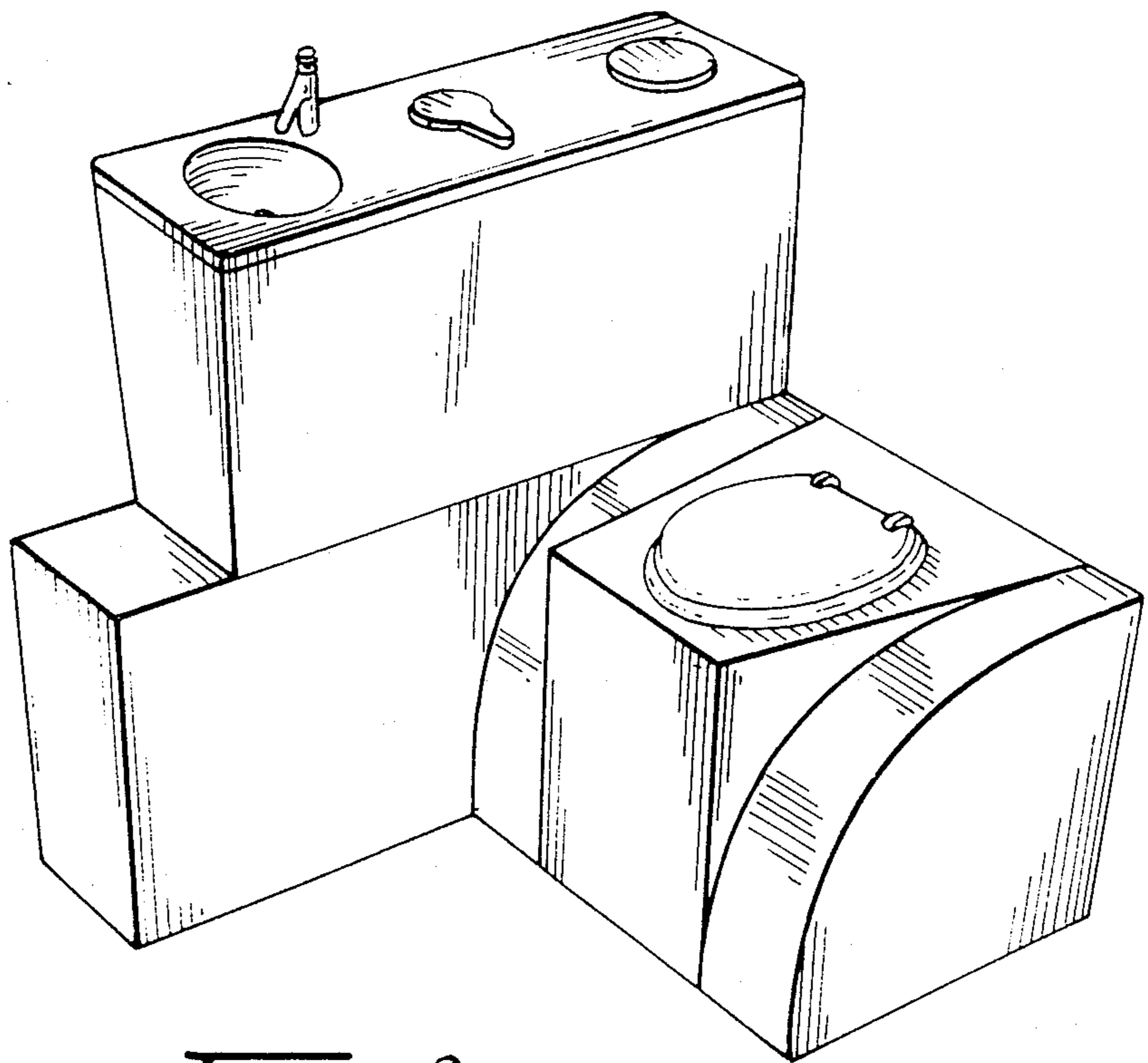


FIG. 9 .

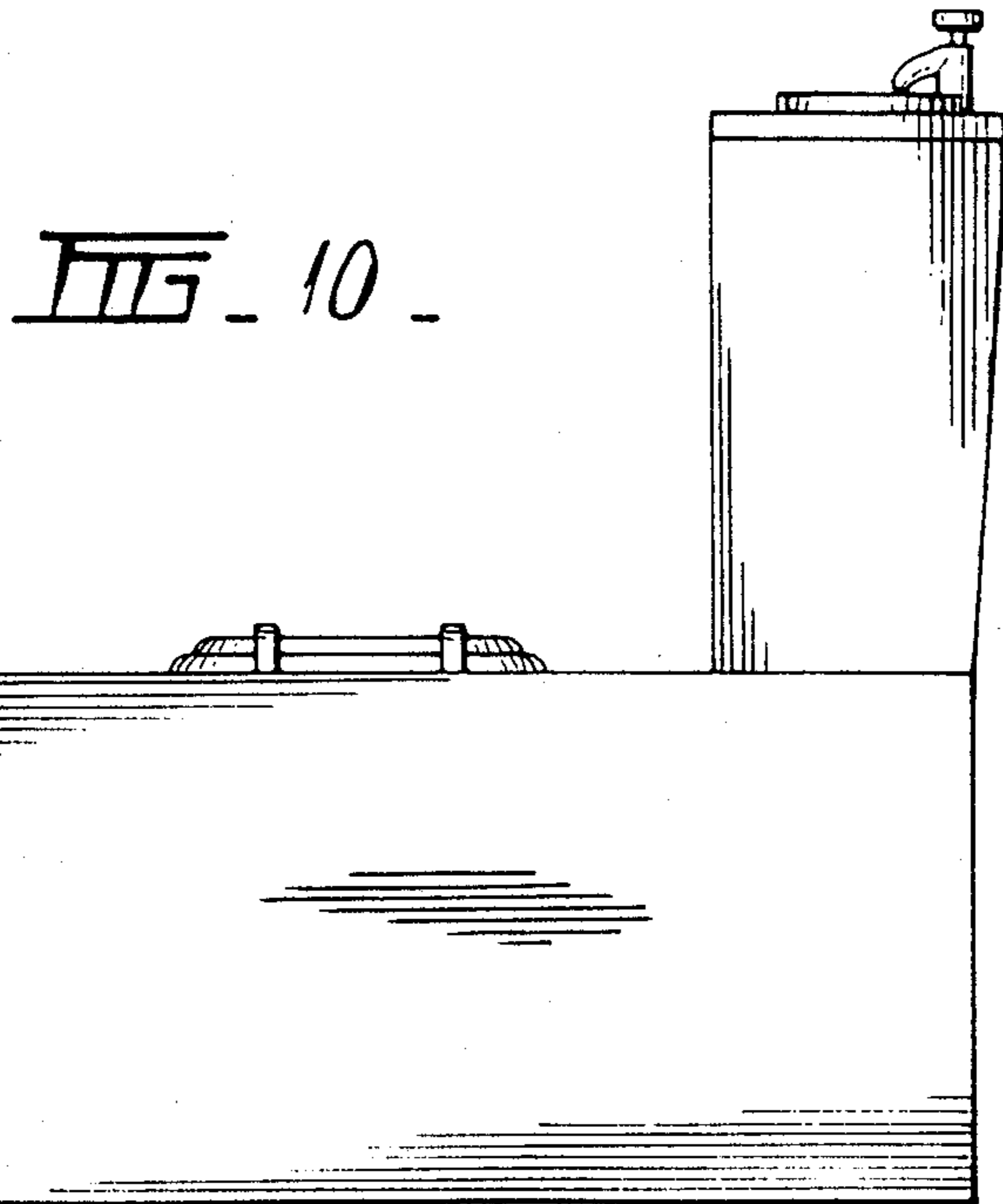


FIG. 10 .

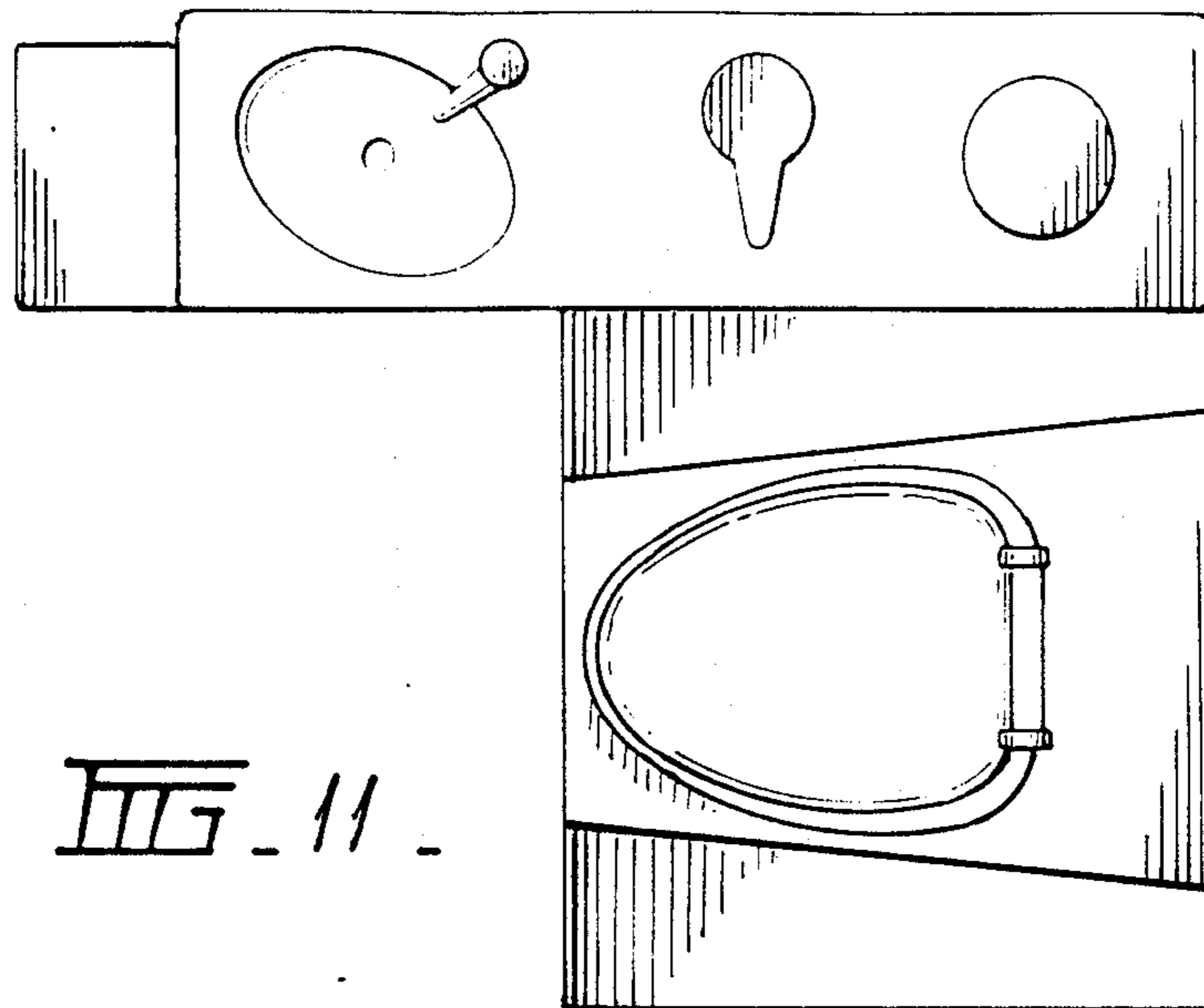
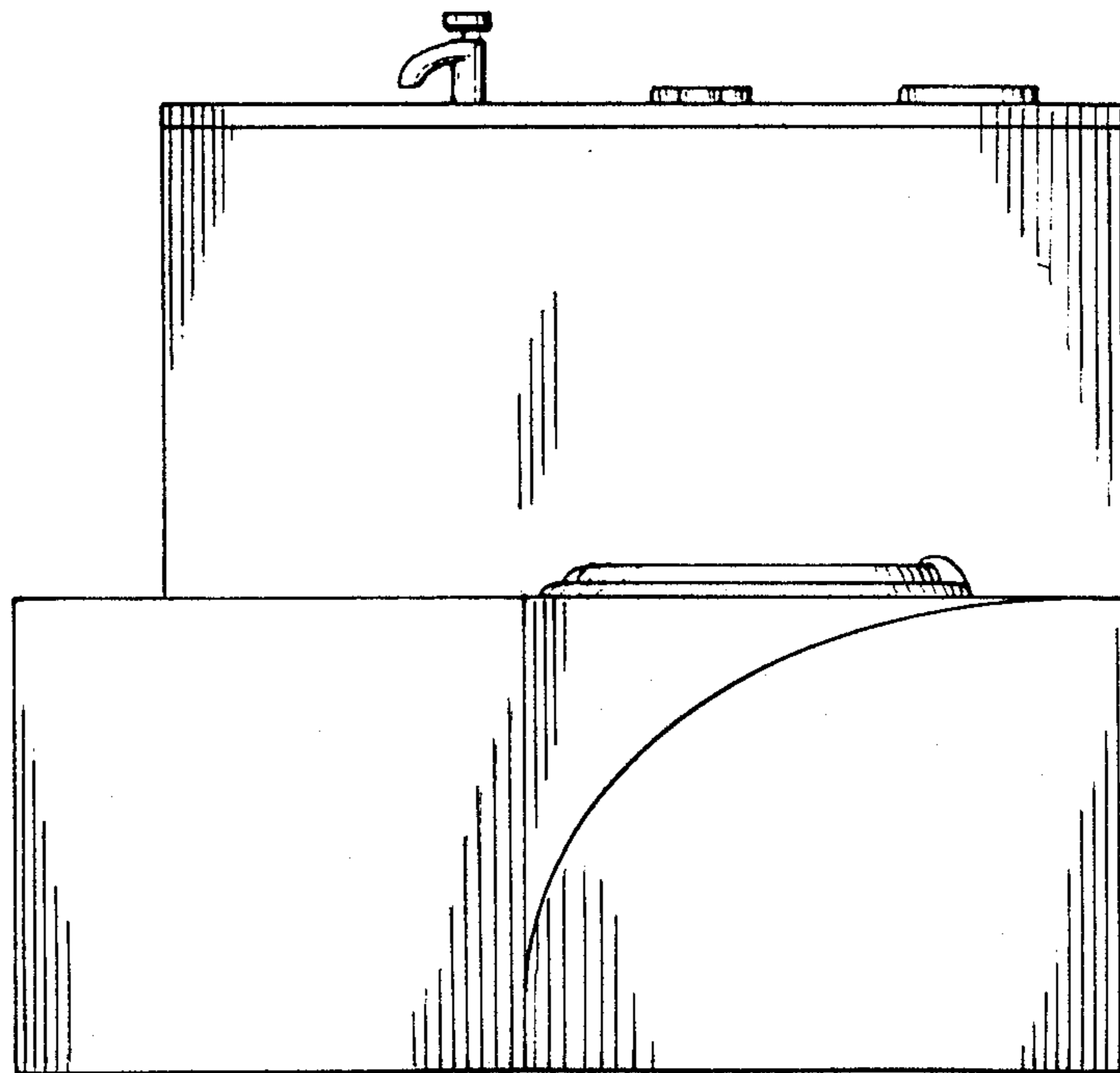


FIG. 12



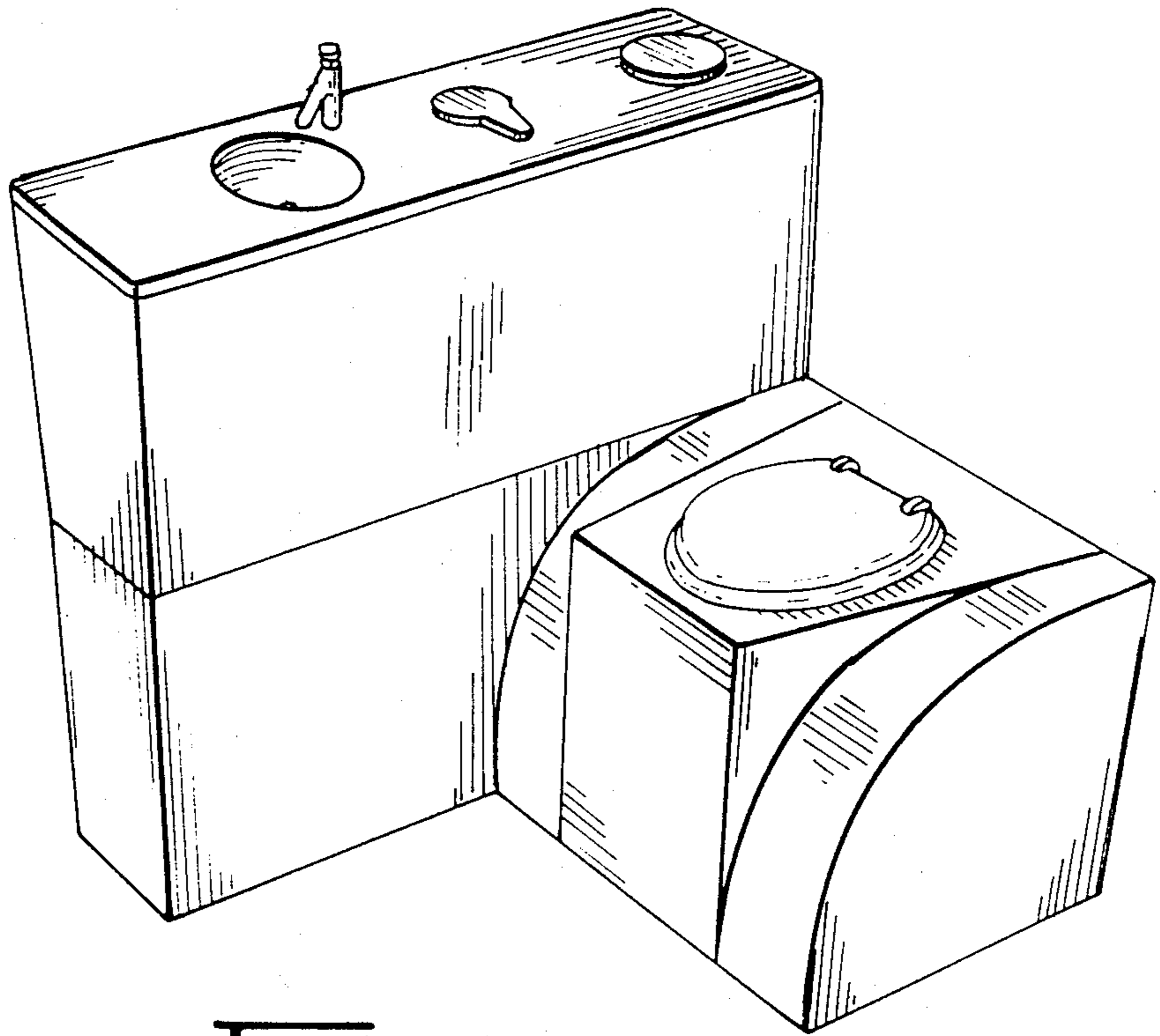


FIG. 13 -

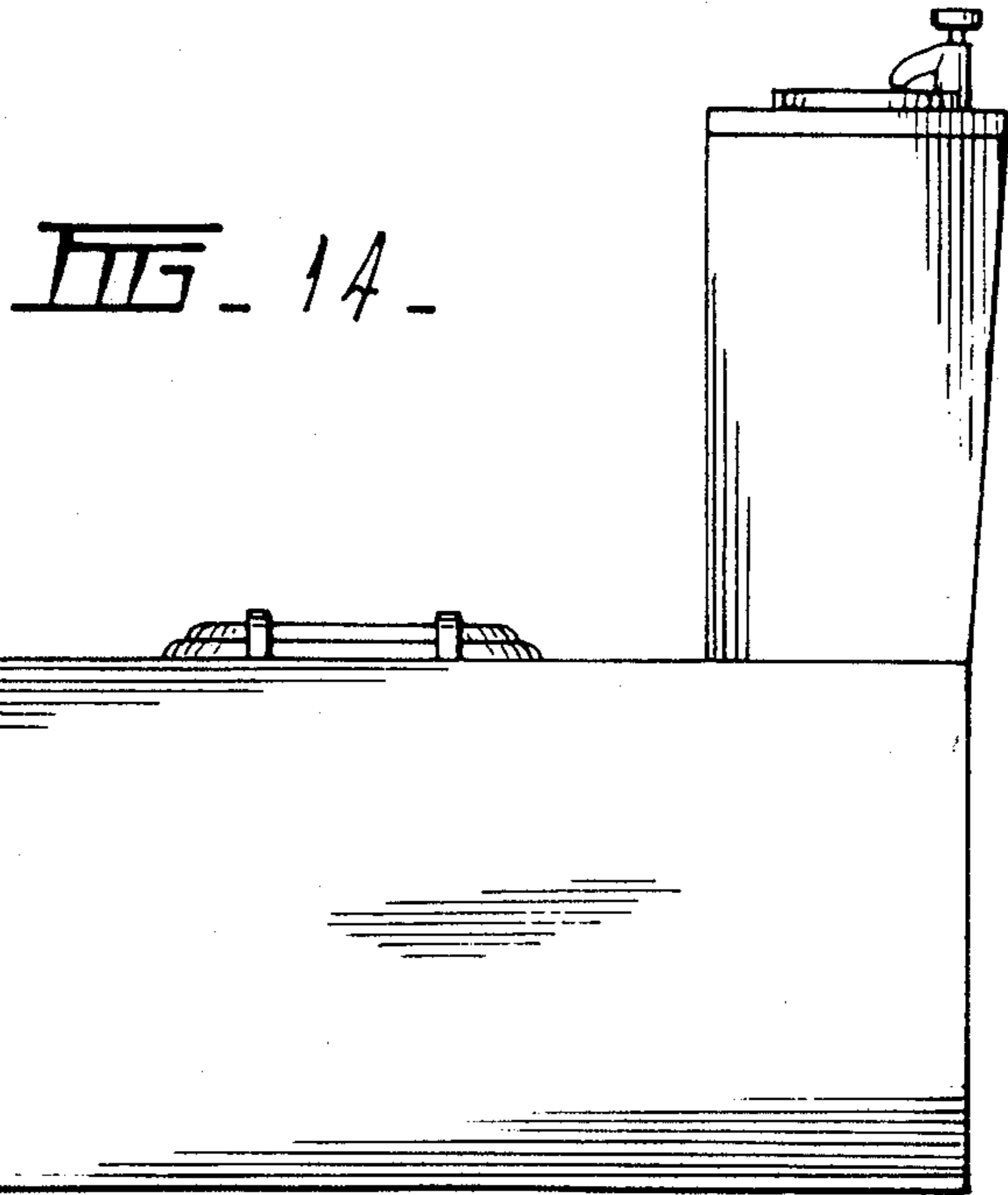


FIG. 14 -

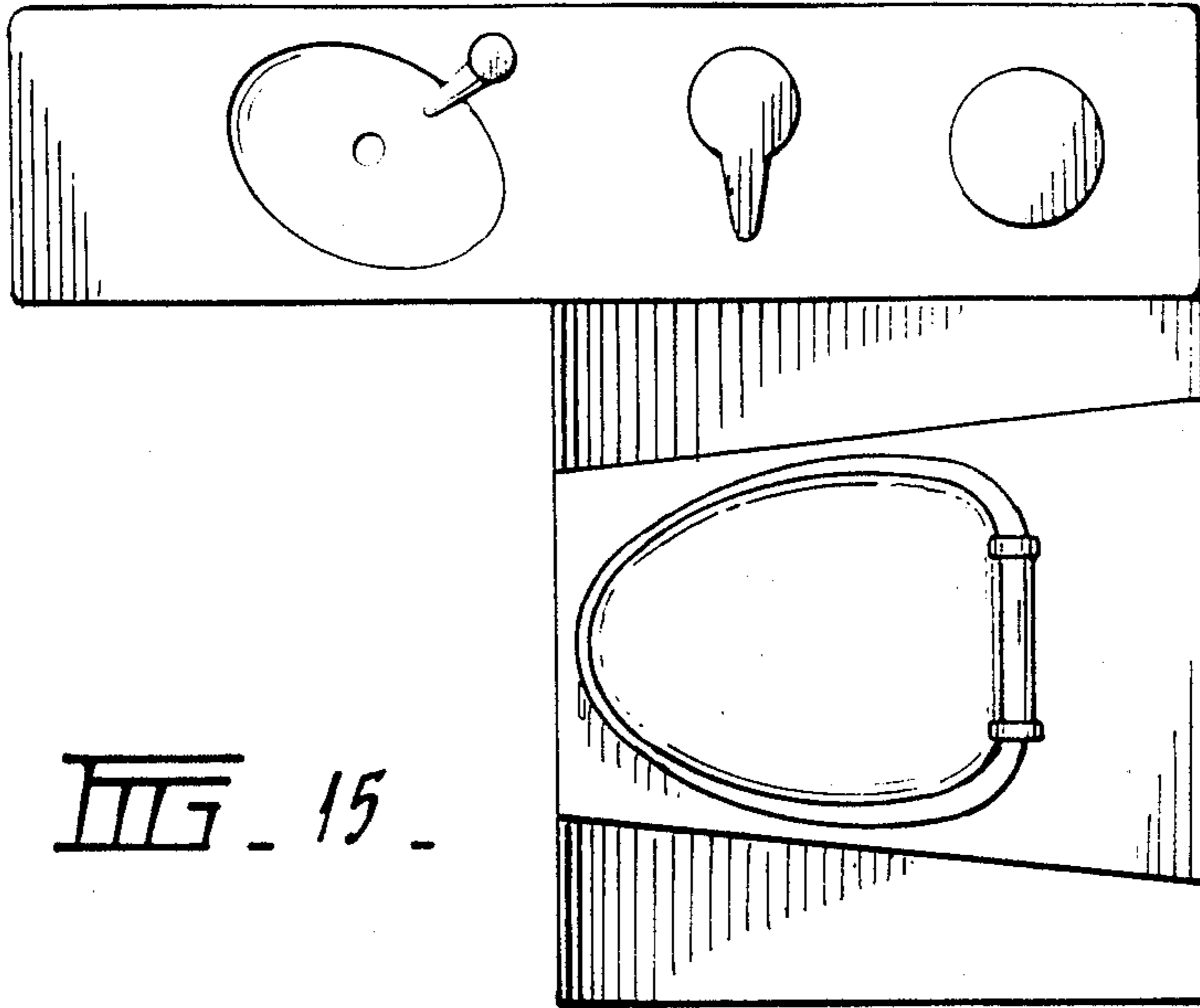


FIG. 16

