

[54] **FAUCET HANDLE**

[75] **Inventor: Bethany Lathrop, Los Angeles, Calif.**

[73] **Assignee: Aloys F. Dornbracht GmbH & Co.
KG, Kobbingser, Fed. Rep. of
Germany**

[**] **Term: 14 Years**

[21] **Appl. No.: 823,374**

[22] **Filed: Jan. 28, 1986**

[30] **Foreign Application Priority Data**

Jul. 29, 1985 [FR] France 853654
[52] **U.S. Cl. D23/252; D8/310**
[58] **Field of Search D23/238-243,
D23/250-254; D8/300, 307-312; 16/110, 118,
121**

[56] **References Cited**

U.S. PATENT DOCUMENTS

D. 4,323 8/1870 Thomas D23/250
D. 141,186 5/1945 Stanitz D23/252
D. 267,110 11/1982 Arnolds D23/242
D. 280,543 9/1985 Paul D23/242
D. 290,496 6/1987 Ryan D23/252

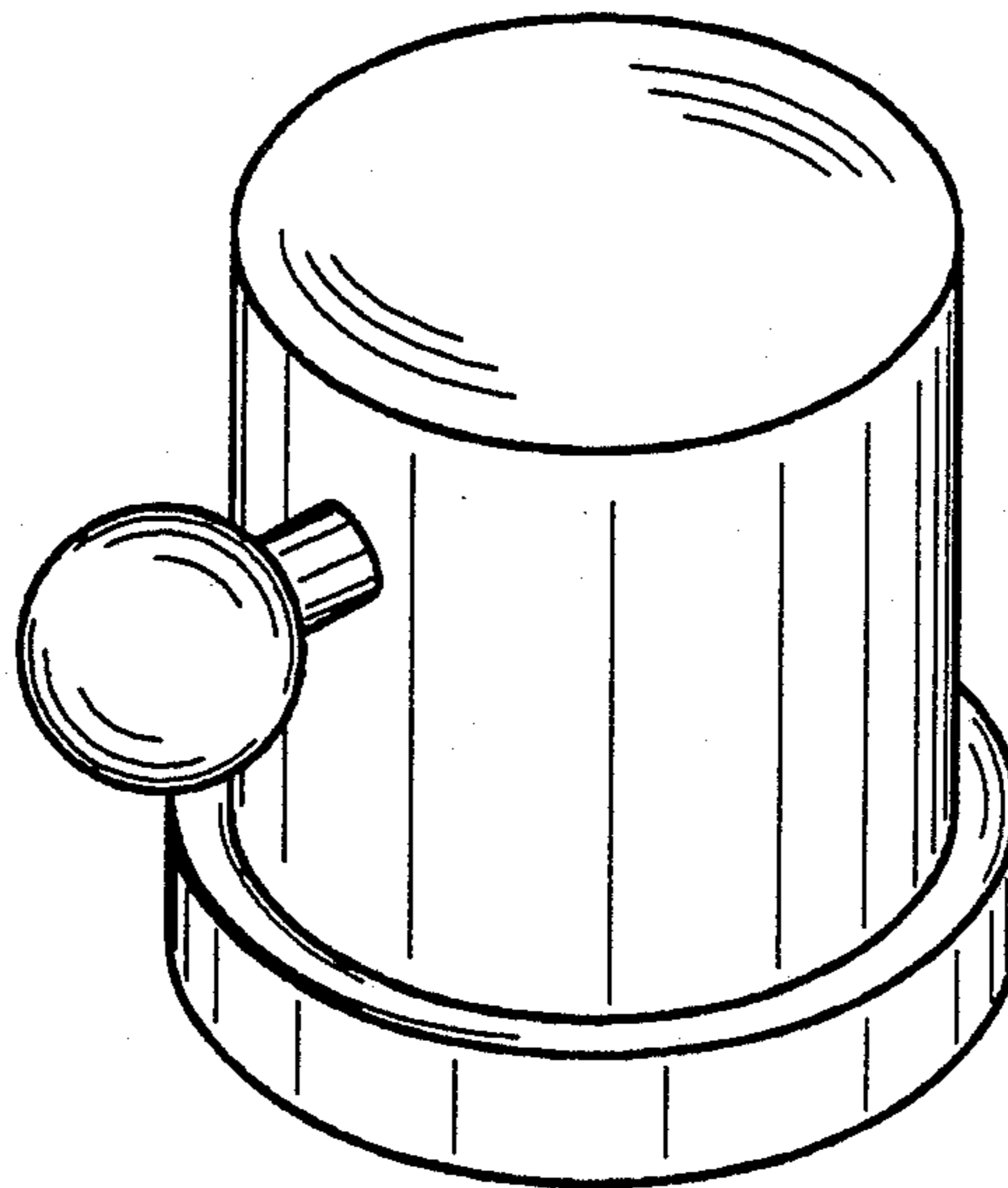
Primary Examiner—James R. Largen
Attorney, Agent, or Firm—Tarolli, Sundheim & Covell

[57] **CLAIM**

The ornamental design for faucet handle, as shown and described.

DESCRIPTION

FIG. 1 is a perspective view of a faucet handle showing my new design;
FIG. 2 is a top plan view thereof;
FIG. 3 is a side elevational view thereof, the opposite side being a mirror image of the side shown; and
FIG. 4 is a bottom plan view thereof.



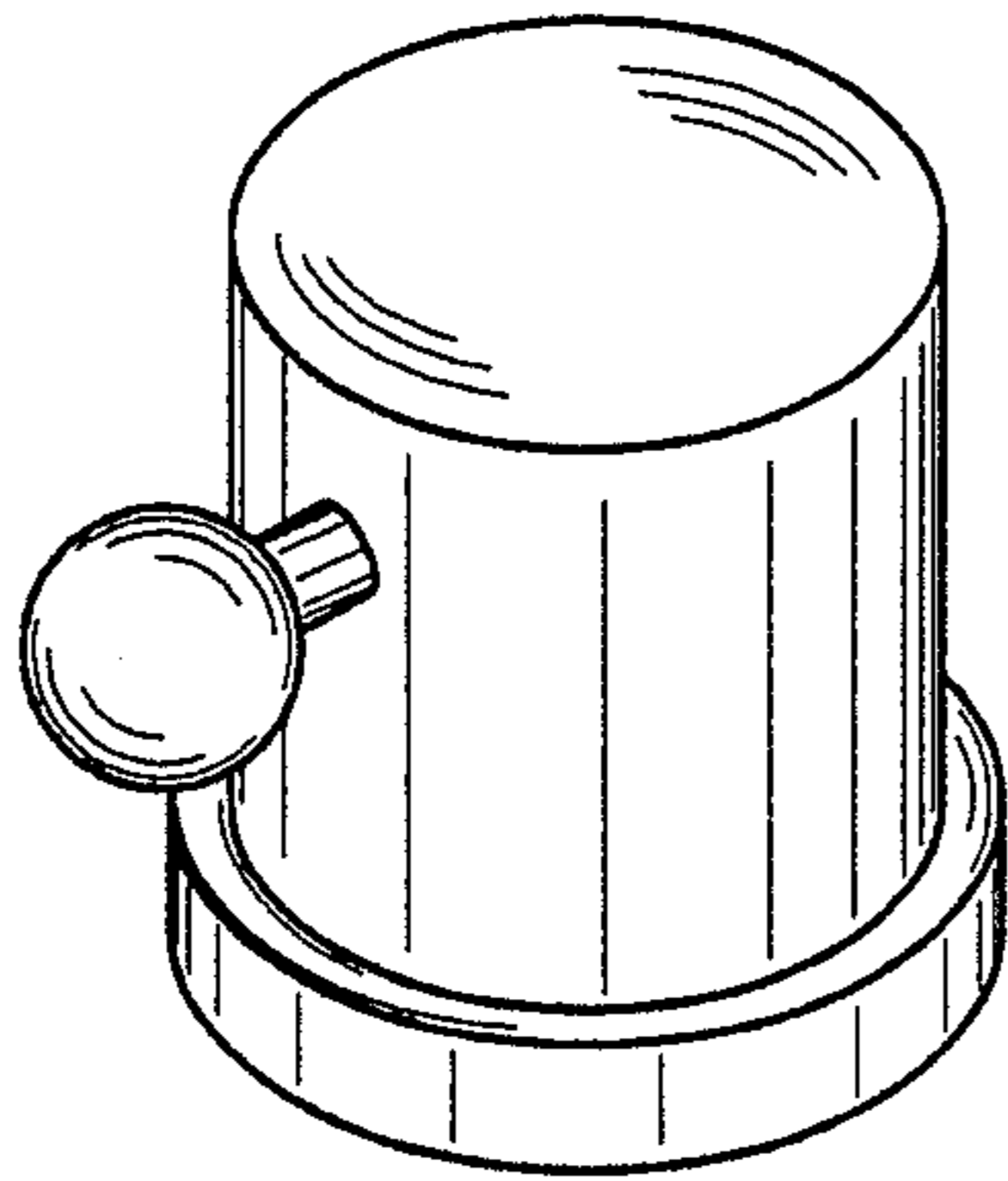


FIG. 1

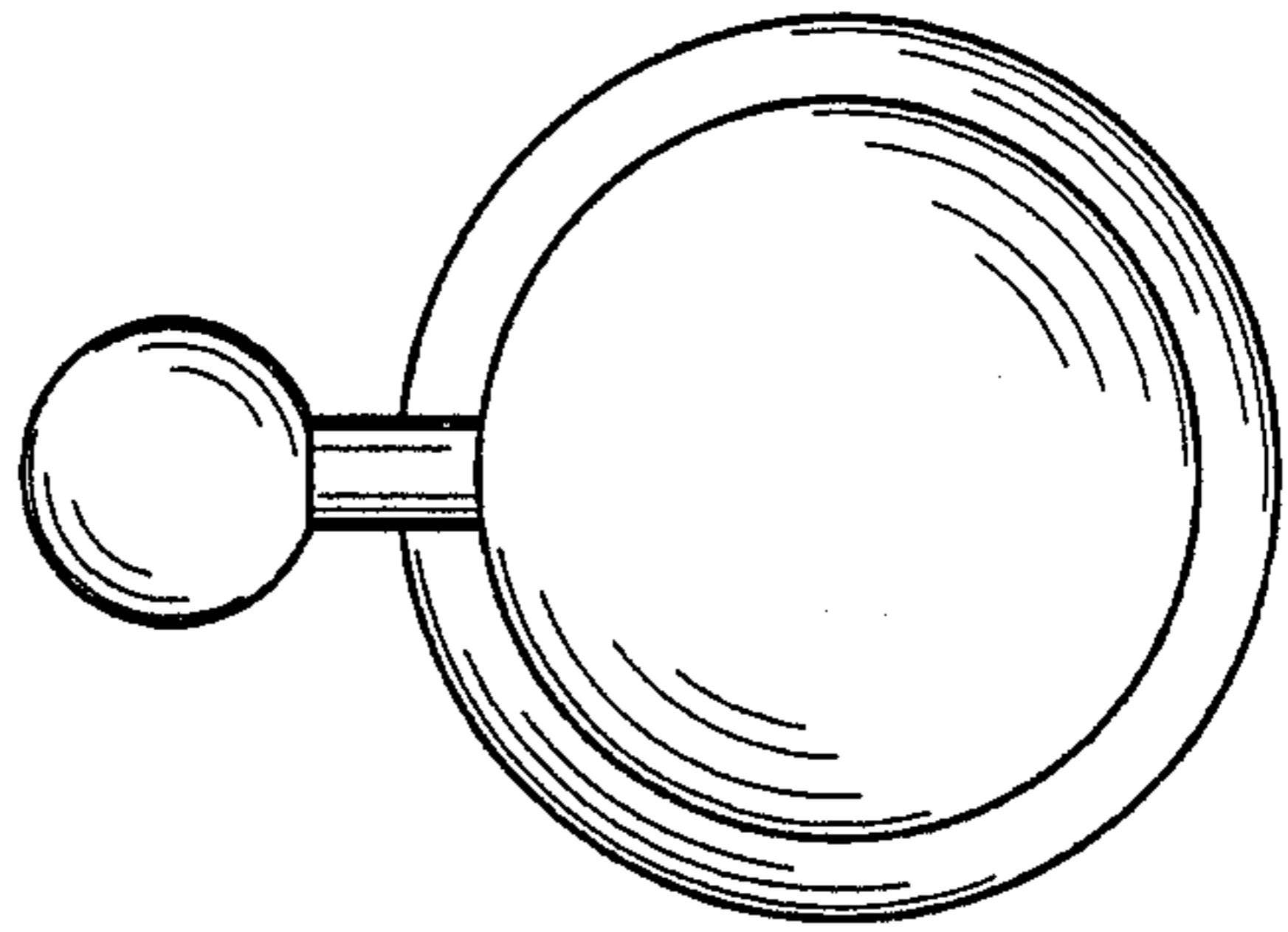


FIG. 2

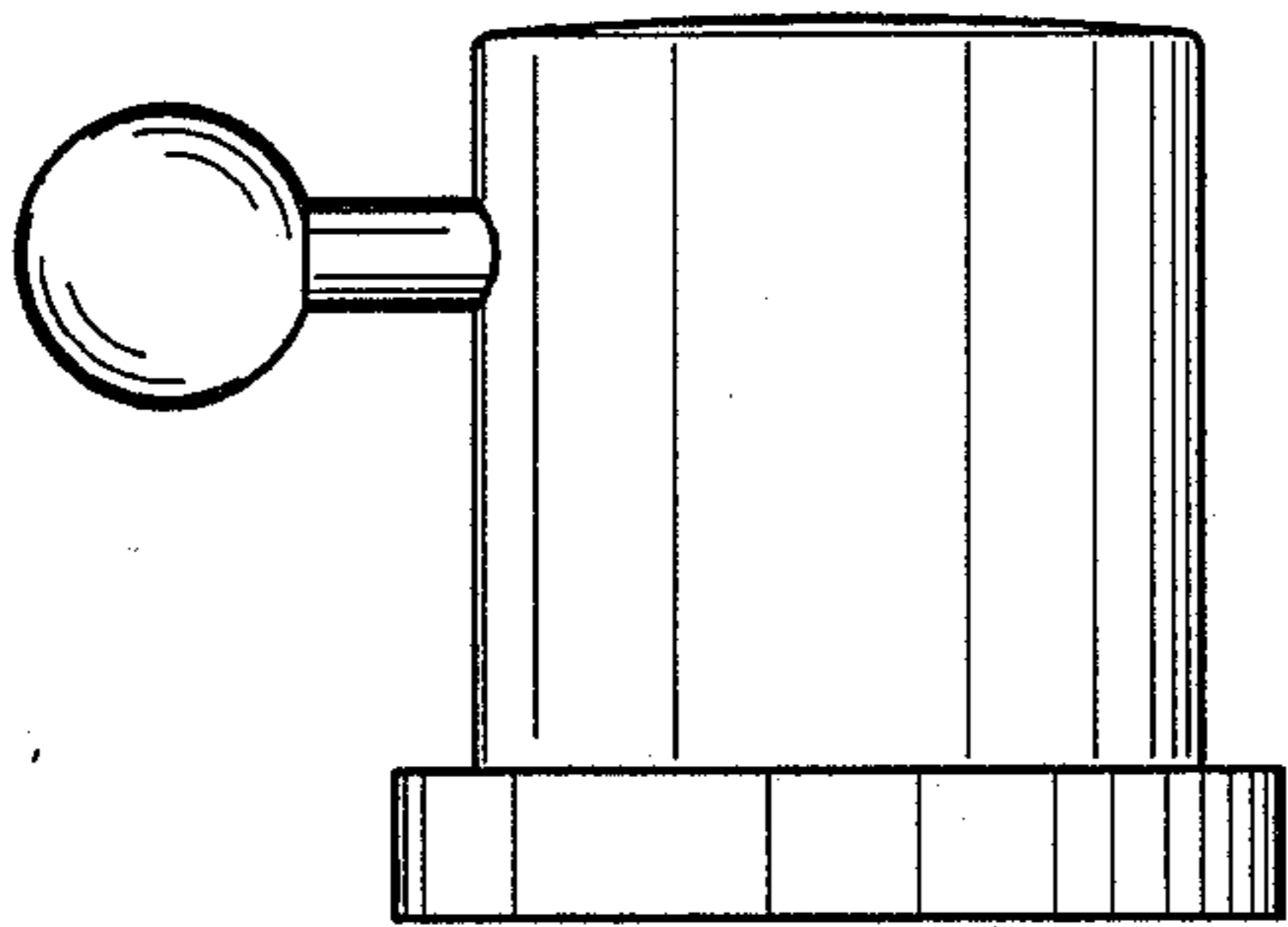


FIG. 3

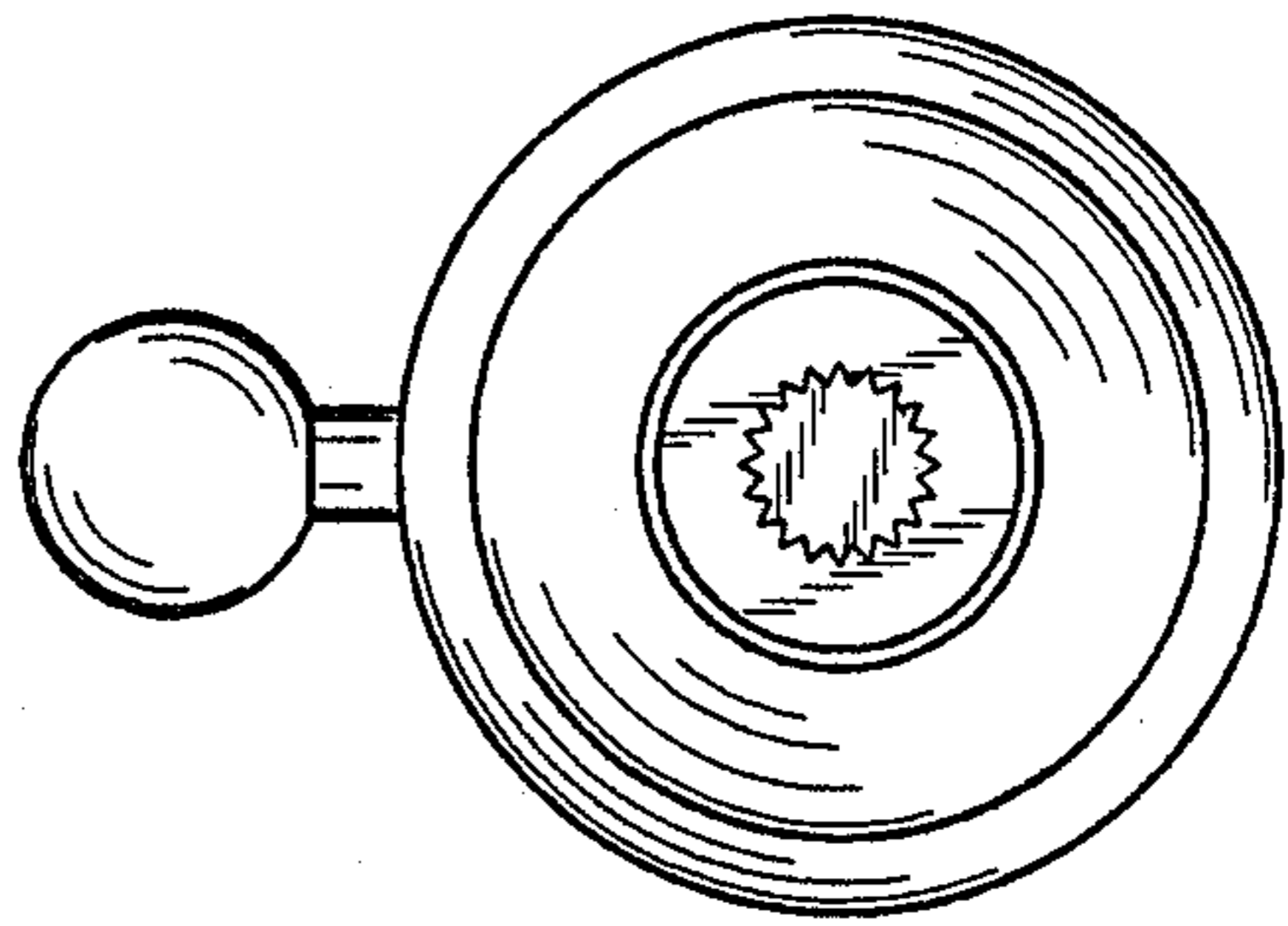


FIG. 4