

[54] FAUCET SET

[76] Inventor: Gerd Arnolds, Hahnenfurter Str. 19, Düsseldorf, Fed. Rep. of Germany, 4000

[**] Term: 14 Years

[21] Appl. No.: 871,580

[22] Filed: Jun. 5, 1986

[30] Foreign Application Priority Data

Dec. 9, 1985 [DE] Fed. Rep. of Germany MR5453

[52] U.S. Cl. D23/242

[58] Field of Search D23/238-243, D23/250-257; D8/300, 307-312; 4/191, 192; 137/801; 16/118, 121

[56] References Cited

U.S. PATENT DOCUMENTS

- D. 224,225 7/1972 Doman D23/250
- D. 267,111 11/1982 Arnolds D23/242
- D. 278,458 4/1985 Paul D23/242
- D. 279,213 6/1985 Paul D23/242
- D. 280,437 9/1985 Rademacher D23/242
- D. 287,160 12/1986 Rademacher D23/242

- D. 290,159 6/1987 Jans D23/242
- D. 290,161 6/1987 Paul D23/242
- D. 290,869 7/1987 Paul D23/242
- D. 290,870 7/1987 Paul D23/242

Primary Examiner—James R. Largen
Attorney, Agent, or Firm—Becker & Becker, Inc.

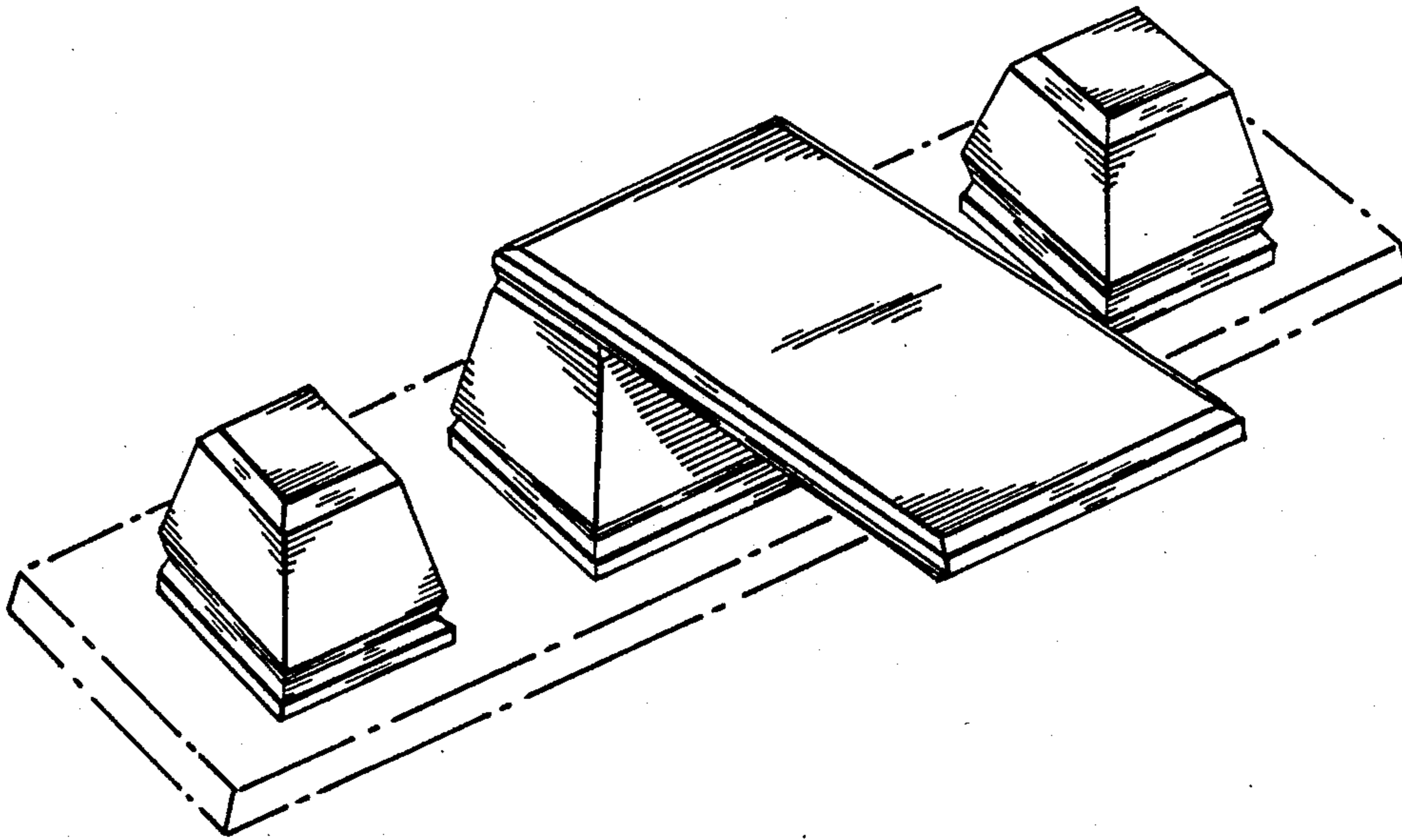
[57] CLAIM

The ornamental design for a faucet set, as shown and described.

DESCRIPTION

FIG. 1 is a perspective view taken from the top, front and left side of a faucet set showing my new design; FIG. 2 is a front elevational view of the spout thereof; FIG. 3 is a left side elevational view of FIG. 2; FIG. 4 is a right side elevational view of FIG. 2; FIG. 5 is a rear elevational view of FIG. 2; FIG. 6 is a top plan view of FIG. 2; FIG. 7 is a side elevational view of one handle thereof, the other sides being the same as the side shown; and FIG. 8 is a top plan view of FIG. 7.

The fragmentary broken line showing of a lavatory in FIG. 1 is for purposes of illustration only and forms no part of the claimed design.



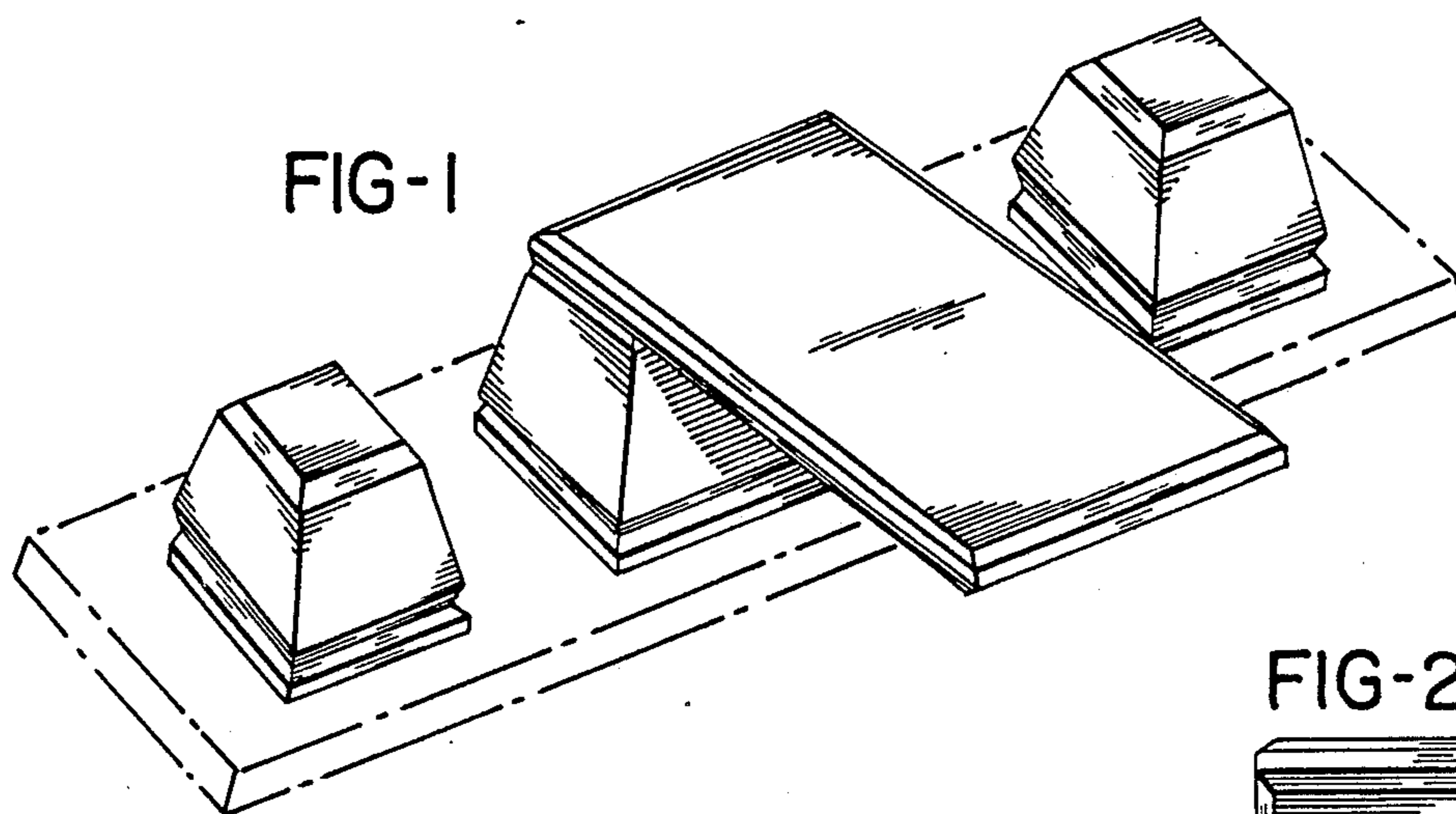


FIG-2

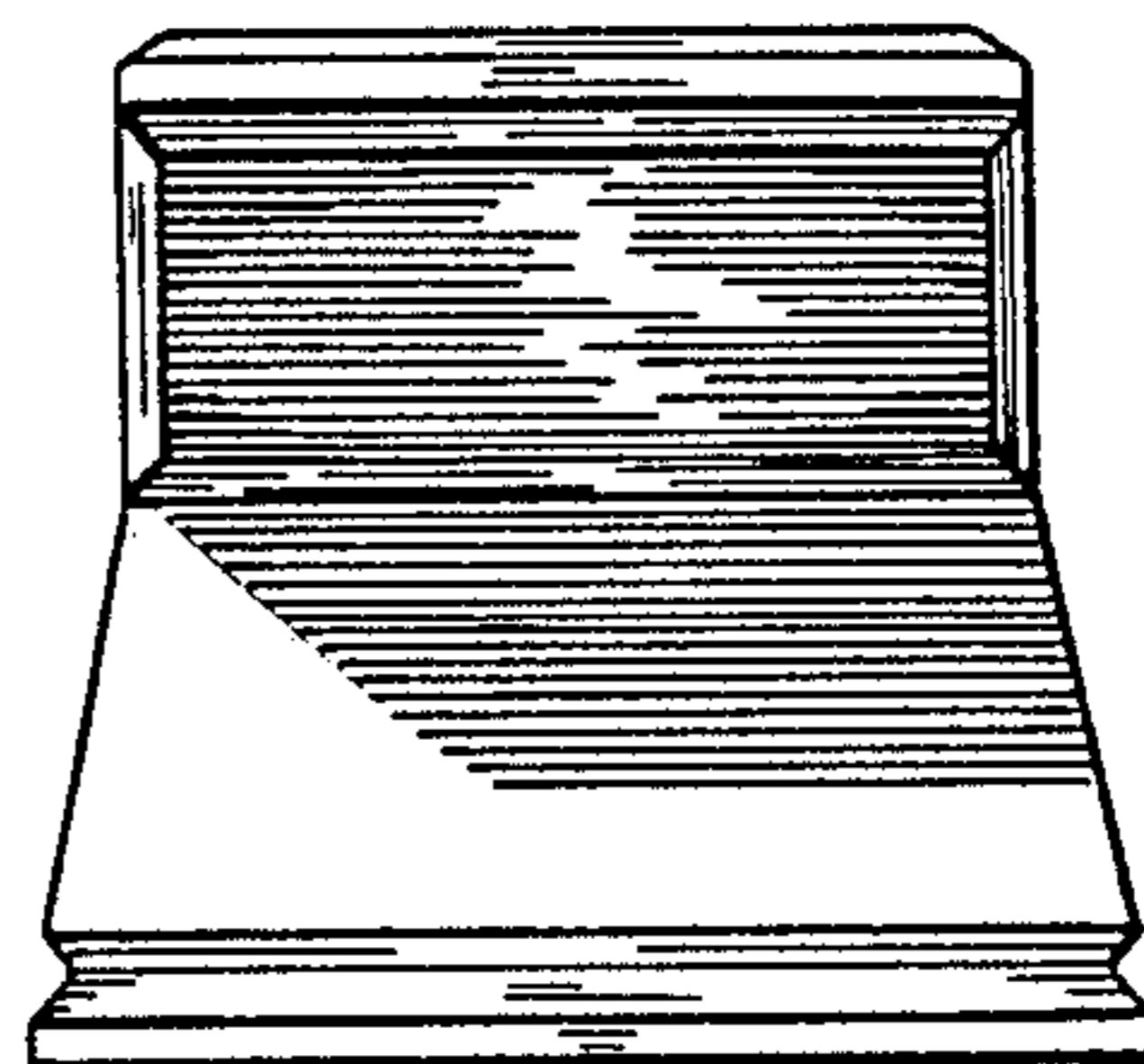


FIG-3

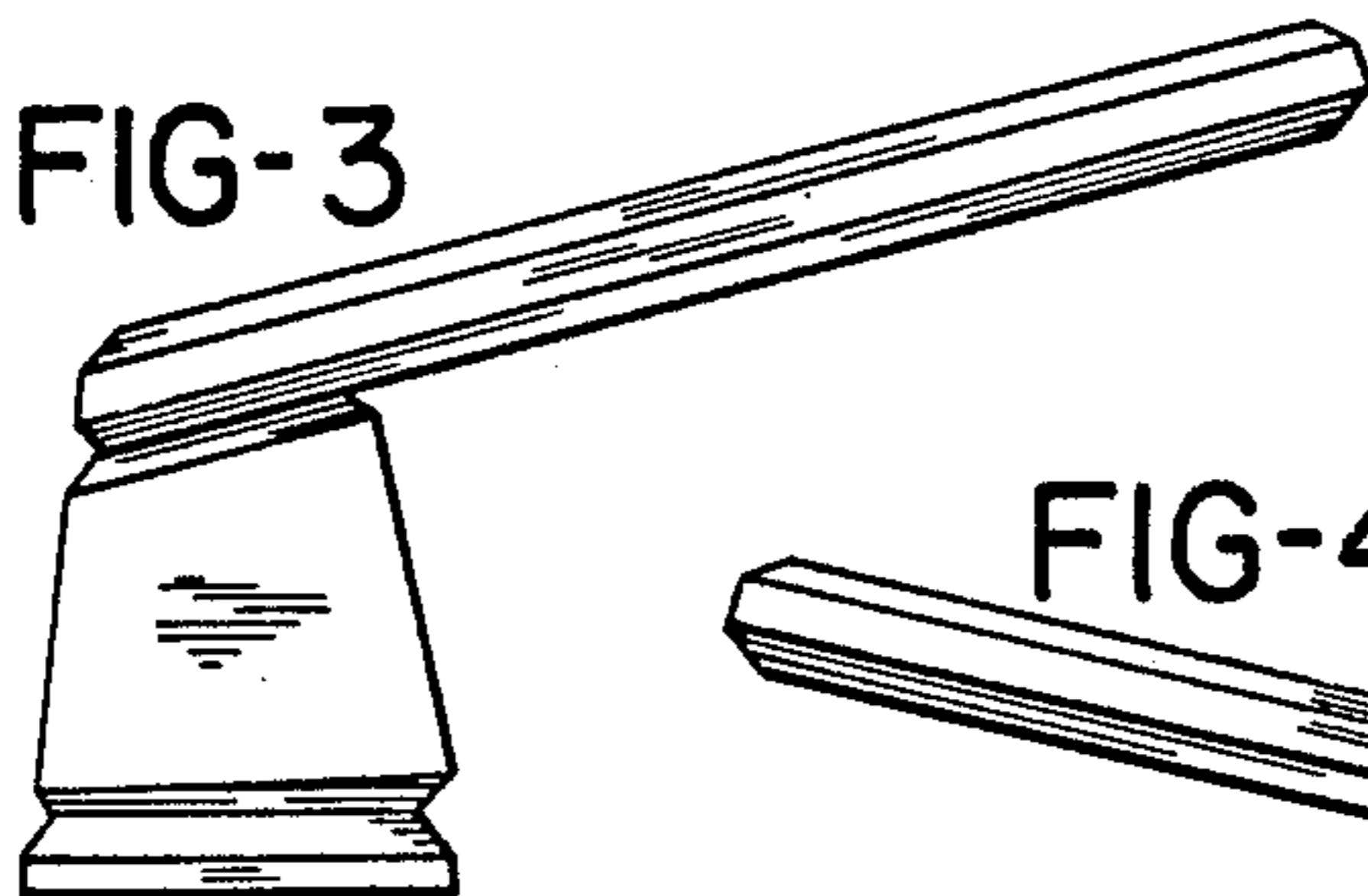


FIG-4

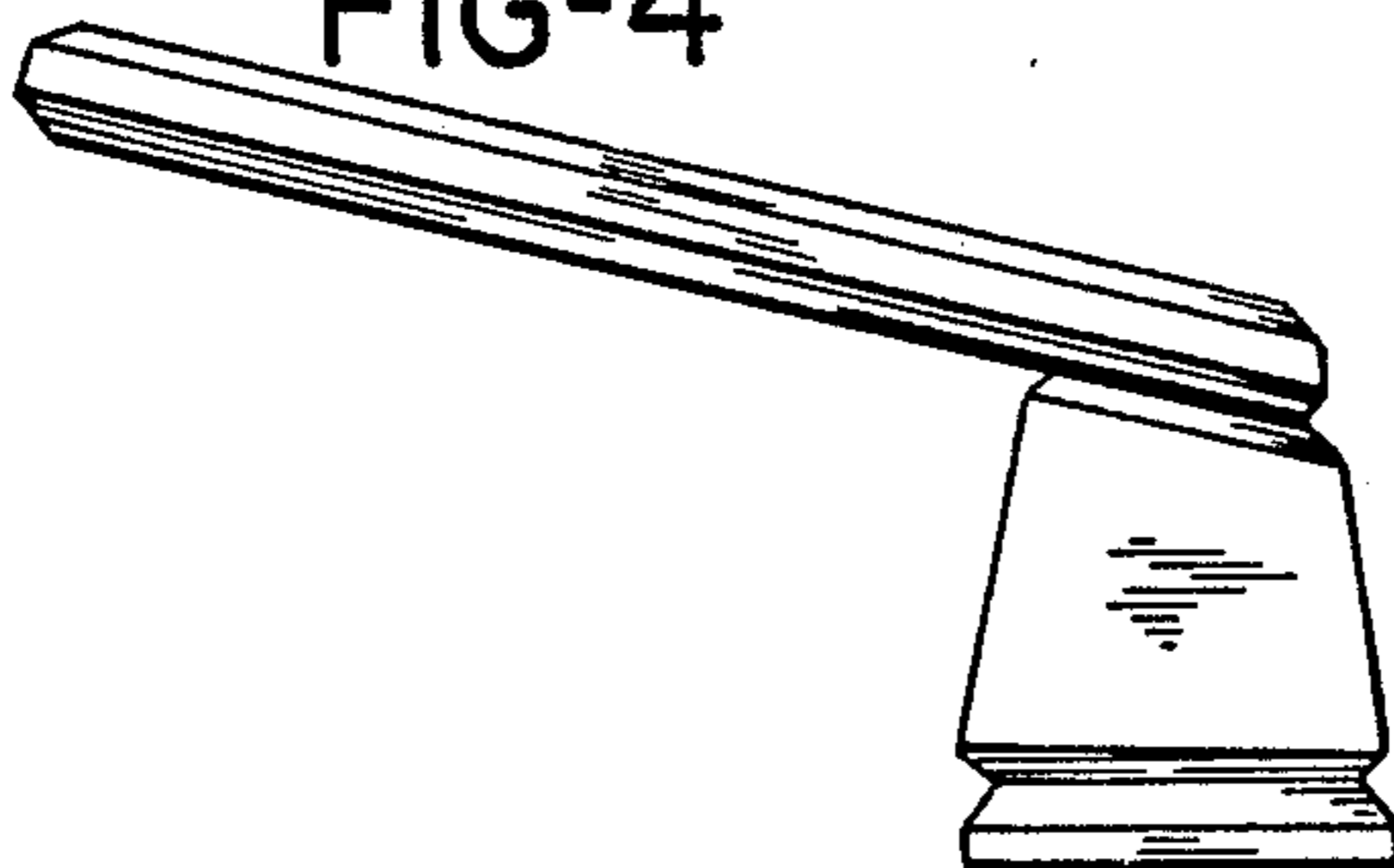


FIG-5

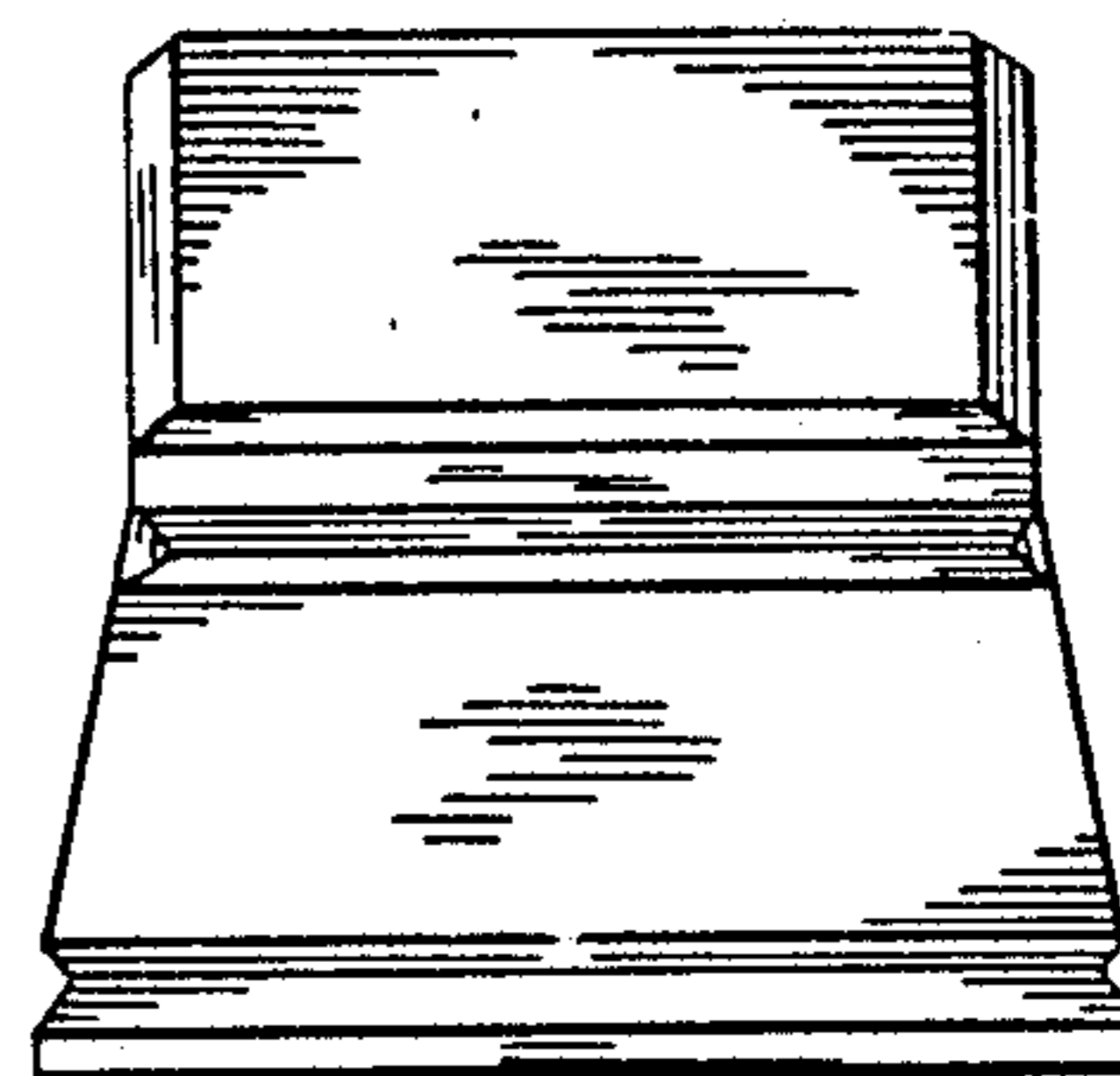


FIG-6

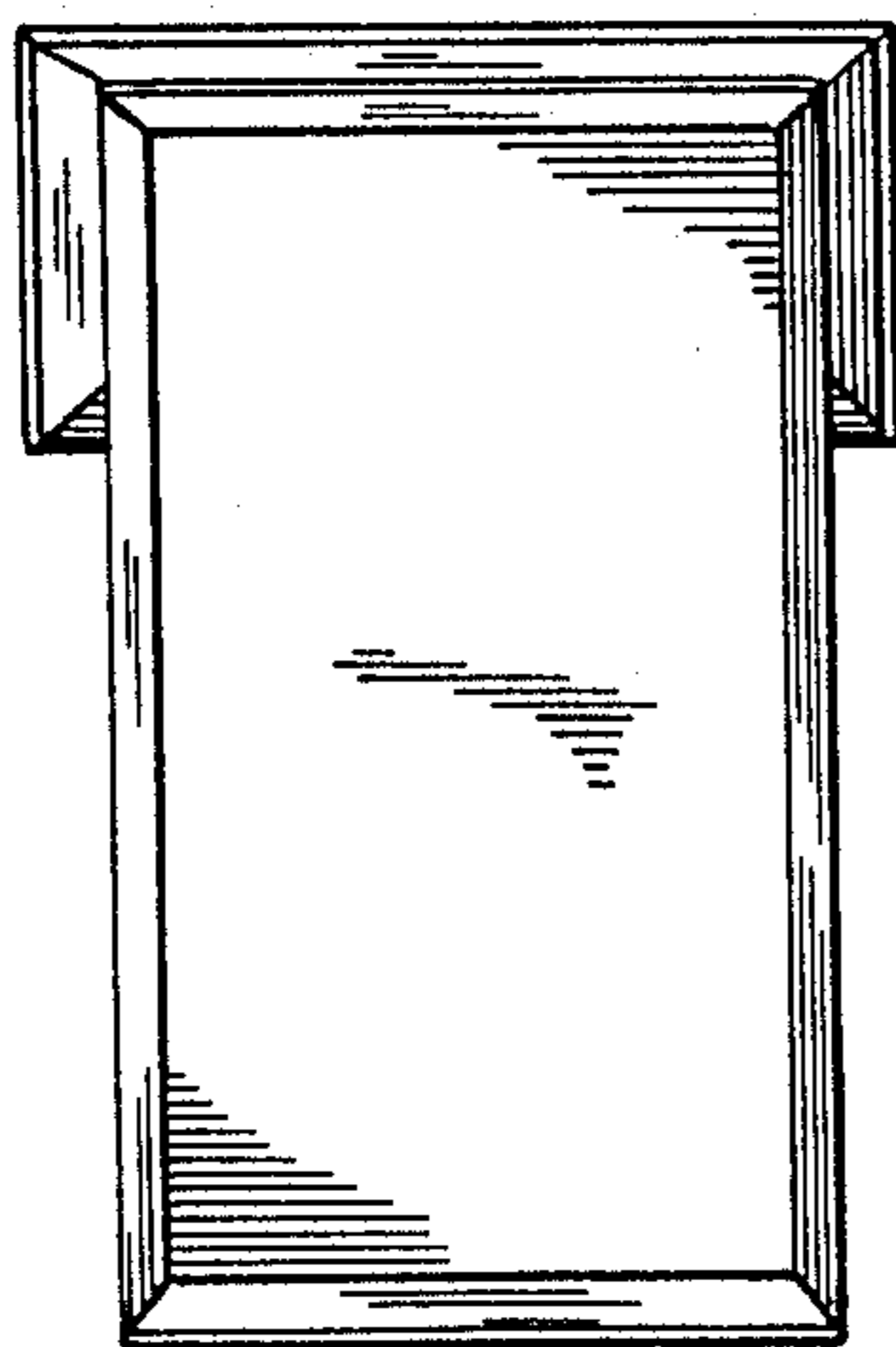


FIG-7

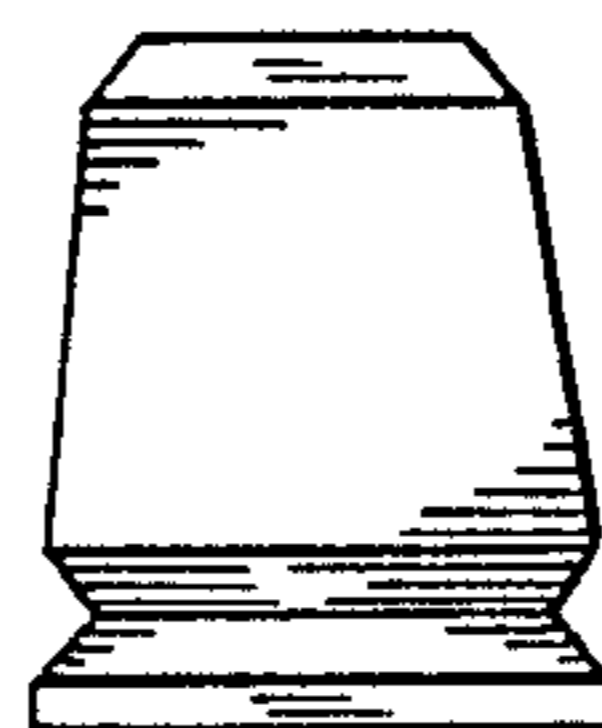


FIG-8

