

[54] **SPRINKLER HEAD FOR A LAWN SPRINKLER**

[75] Inventor: Lawrence P. Heren, Peoria, Ill.

[73] Assignee: L. R. Nelson Corporation, Peoria, Ill.

[**] Term: 14 Years

[21] Appl. No.: 805,233

[22] Filed: Nov. 15, 1985

[52] U.S. Cl. D23/214

[58] Field of Search D23/1, 6-8, D23/17, 34-36; 239/232, 242, 248, 225.1, 261, 722

D. 285,240 8/1986 Choro et al. D23/7

Primary Examiner—Wallace R. Burke
Assistant Examiner—Brian N. Vinson
Attorney, Agent, or Firm—Cushman, Darby & Cushman

[57] CLAIM

The ornamental design for a sprinkler head for a lawn sprinkler, as shown and described.

DESCRIPTION

FIG. 1 is a top perspective view of a sprinkler head for a lawn sprinkler showing my new design;
 FIG. 2 is a bottom plan view thereof;
 FIG. 3 is a top plan view thereof; and
 FIG. 4 is a side elevational view thereof, the sides opposite and adjacent being identical in appearance, with the broken-line showing of the sprinkler base being for illustrative purposes only and forming no part of the claimed design.

[56] **References Cited**
U.S. PATENT DOCUMENTS
 D. 276,453 11/1984 DeVroom D23/6
 D. 276,743 12/1984 Clivio et al. D23/7

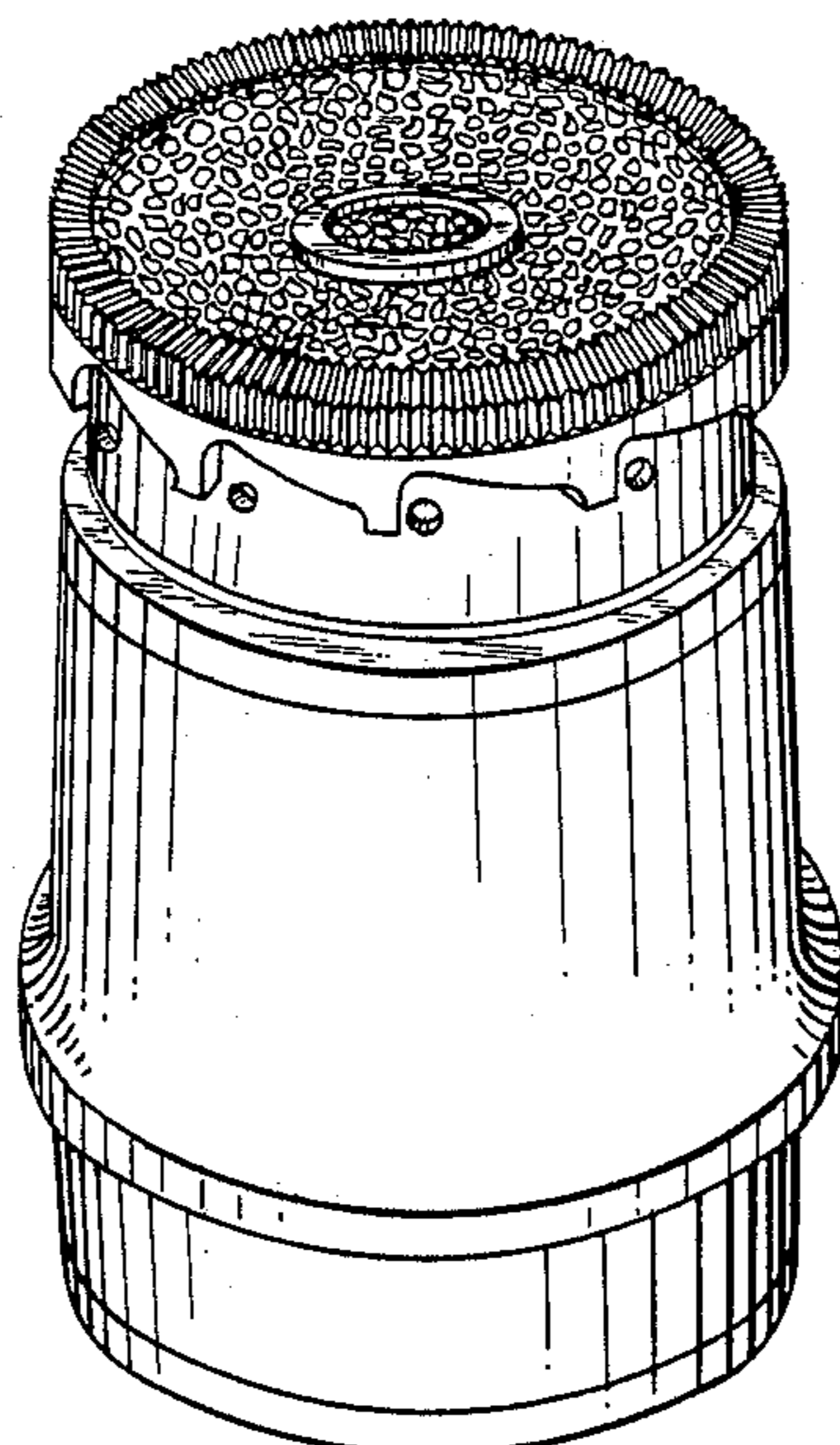


Fig. 1.

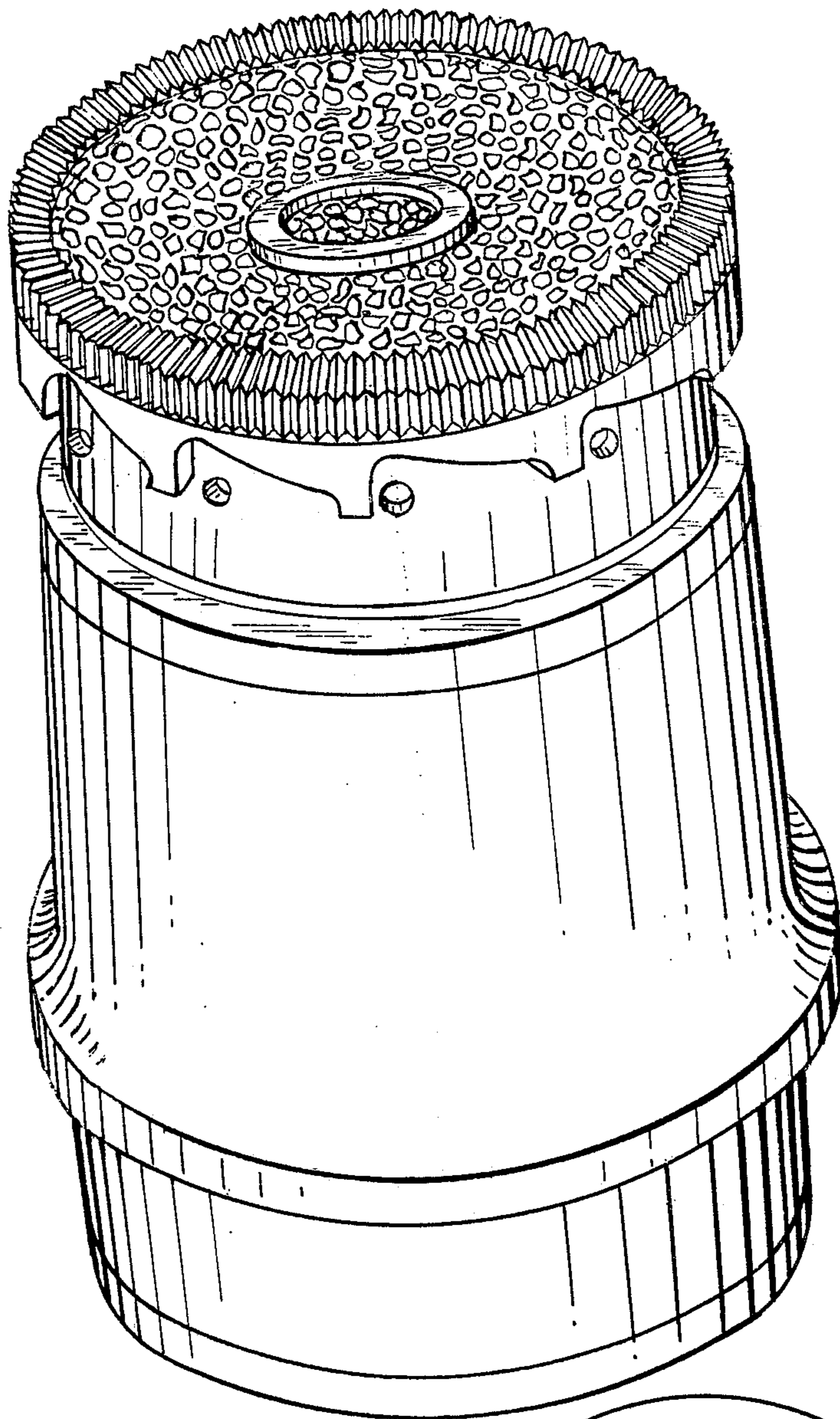


Fig. 2.

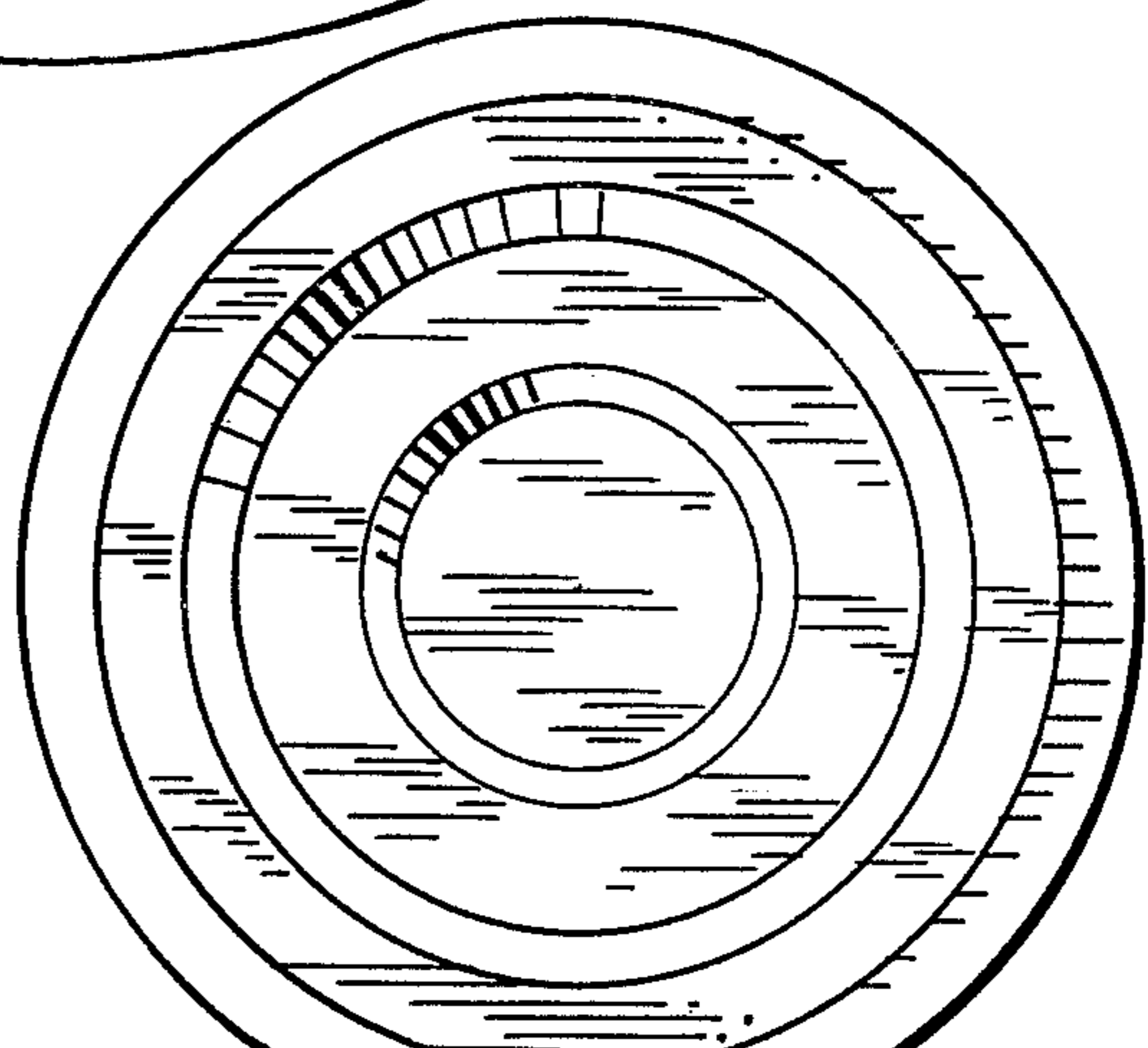


Fig. 3.

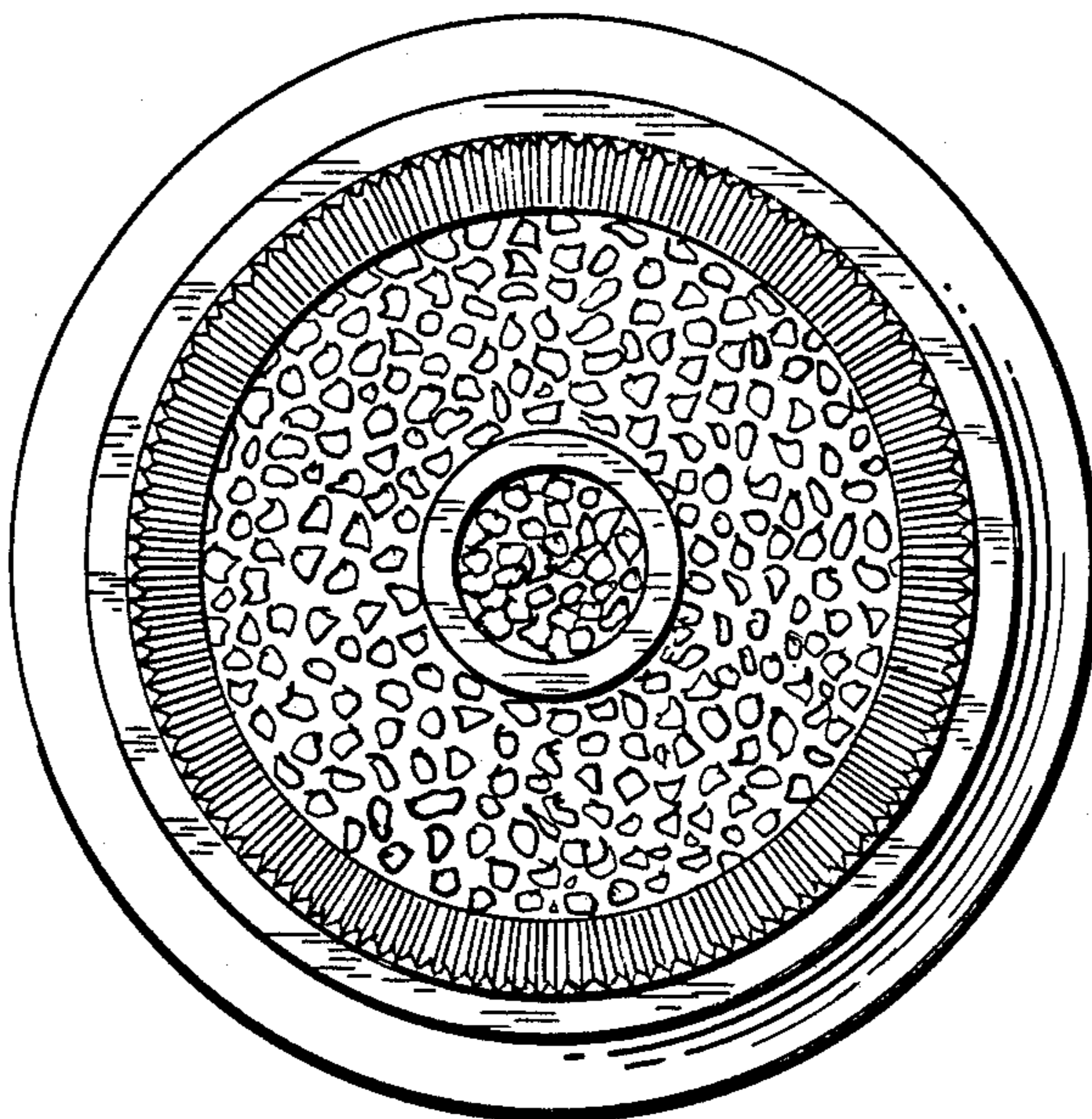


Fig. 4.

