

[54] **FLUID WEIGHTED EXERCISE JUG**
[76] **Inventor: Gary W. Hall, 7316 Carver Rd., Modesto, Calif. 95356**
[**] **Term: 14 Years**
[21] **Appl. No.: 914,599**
[22] **Filed: Oct. 1, 1986**
[52] **U.S. Cl. D21/197; D9/382; D21/191**
[58] **Field of Search D9/381, 382; D21/191-199; 272/67, 117, 122, 123**

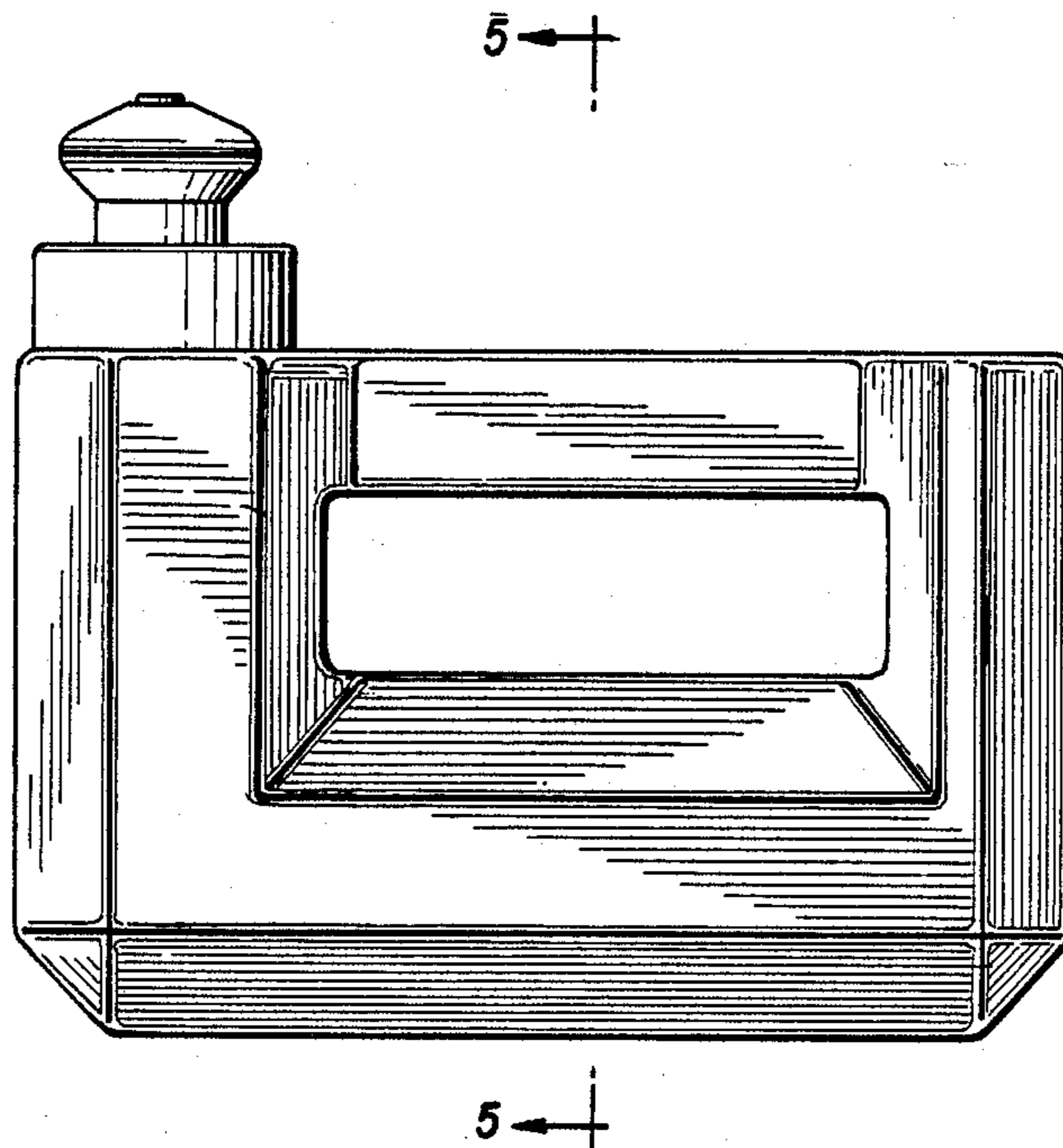
4,079,932 3/1978 Schuetz 272/122
4,575,074 3/1986 Damratoski 272/122
4,720,098 1/1988 Gordon 272/122

Primary Examiner—Charles A. Rademaker
Attorney, Agent, or Firm—A. Robert Theibault

[56] **References Cited**
U.S. PATENT DOCUMENTS
D. 196,273 9/1963 Suess D9/382
D. 270,999 10/1983 Cook D9/381

[57] **CLAIM**
The ornamental design for fluid weighted exercise jug, as shown and described.

DESCRIPTION
FIG. 1 is a side elevational view of a fluid weighted exercise jug showing my new design;
FIG. 2 is a top plan view thereof;
FIG. 3 is a bottom plan view thereof;
FIG. 4 is a front elevational view thereof; and
FIG. 5 is a cross-sectional view thereof taken along line 5—5 in FIG. 1.



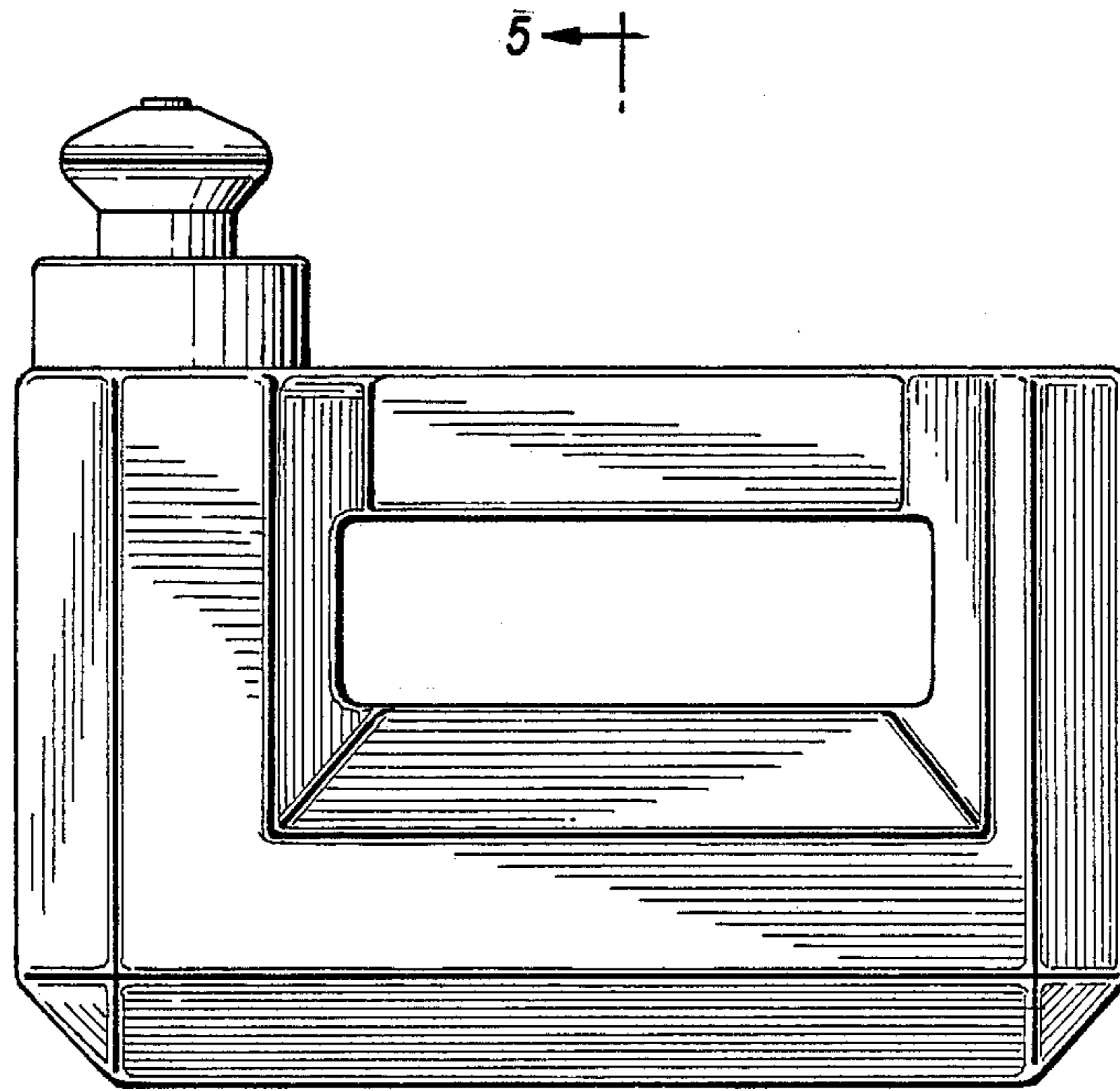


FIG. 1

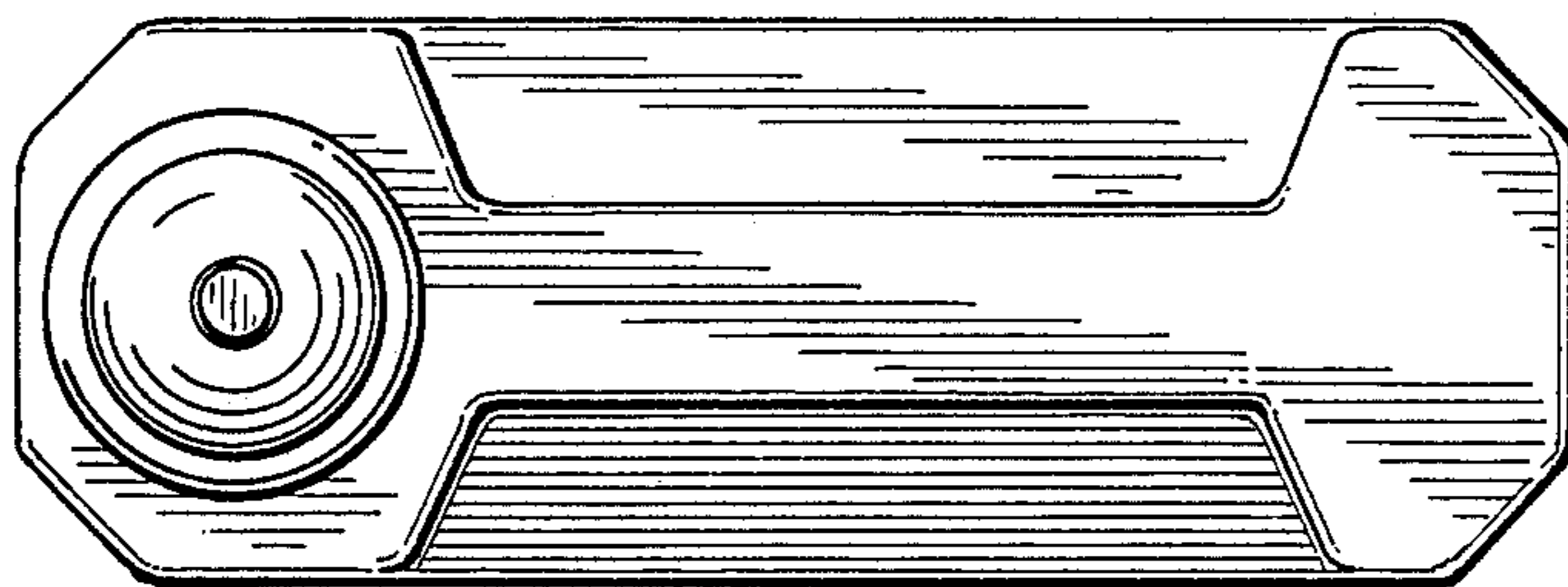
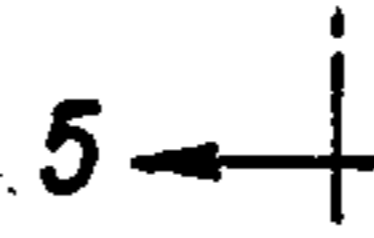


FIG. 2



FIG. 3

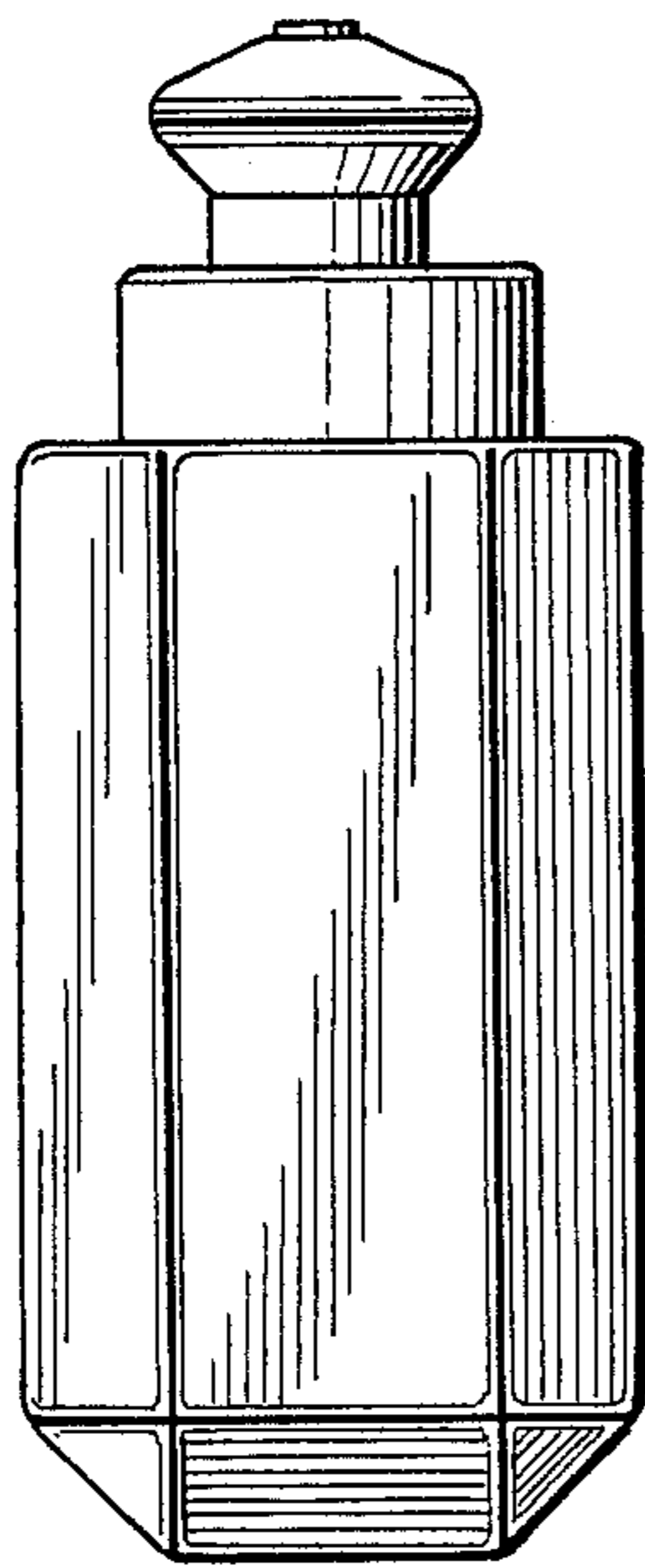


FIG. 4

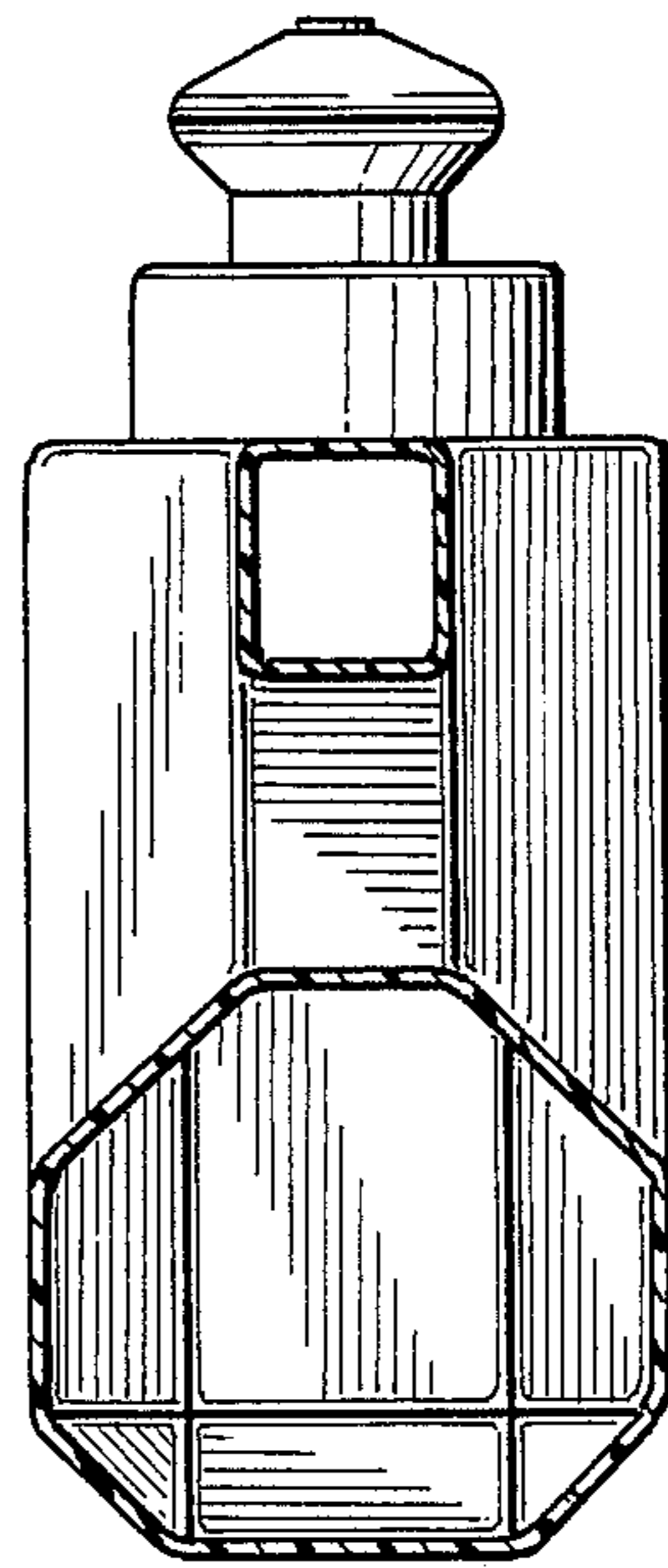


FIG. 5