

[54] **WRITING INSTRUMENT HOLDER**

[75] **Inventor: Brian L. Birch, Mendota Heights, Minn.**

[73] **Assignee: The Birch Company, Mendota Heights, Minn.**

[**] **Term: 14 Years**

[21] **Appl. No.: 862,607**

[22] **Filed: May 12, 1986**

[52] **U.S. Cl. D19/85**

[58] **Field of Search D19/75-85; 248/539, 504, 514, 222.1; D3/30.1; D6/512**

[56] **References Cited**

U.S. PATENT DOCUMENTS

D. 186,746 11/1959 Shea D19/85

D. 194,894 3/1963 Grushon D19/77
D. 223,968 6/1972 Collura D19/84
D. 265,324 7/1982 Hedgeman D19/85
3,667,708 6/1972 Smeltzer 248/514

Primary Examiner—Charles A. Rademaker
Attorney, Agent, or Firm—Lawrence M. Nawrocki

[57] **CLAIM**

The ornamental design for a writing instrument holder, as shown and described.

DESCRIPTION

FIG. 1 is a side perspective view of a writing instrument holder showing my new design;
FIG. 2 is a right side elevational view thereof;
FIG. 3 is a top plan view thereof;
FIG. 4 is a bottom plan view thereof;
FIG. 5 is a front elevational view thereof; and
FIG. 6 is a rear elevational view thereof.

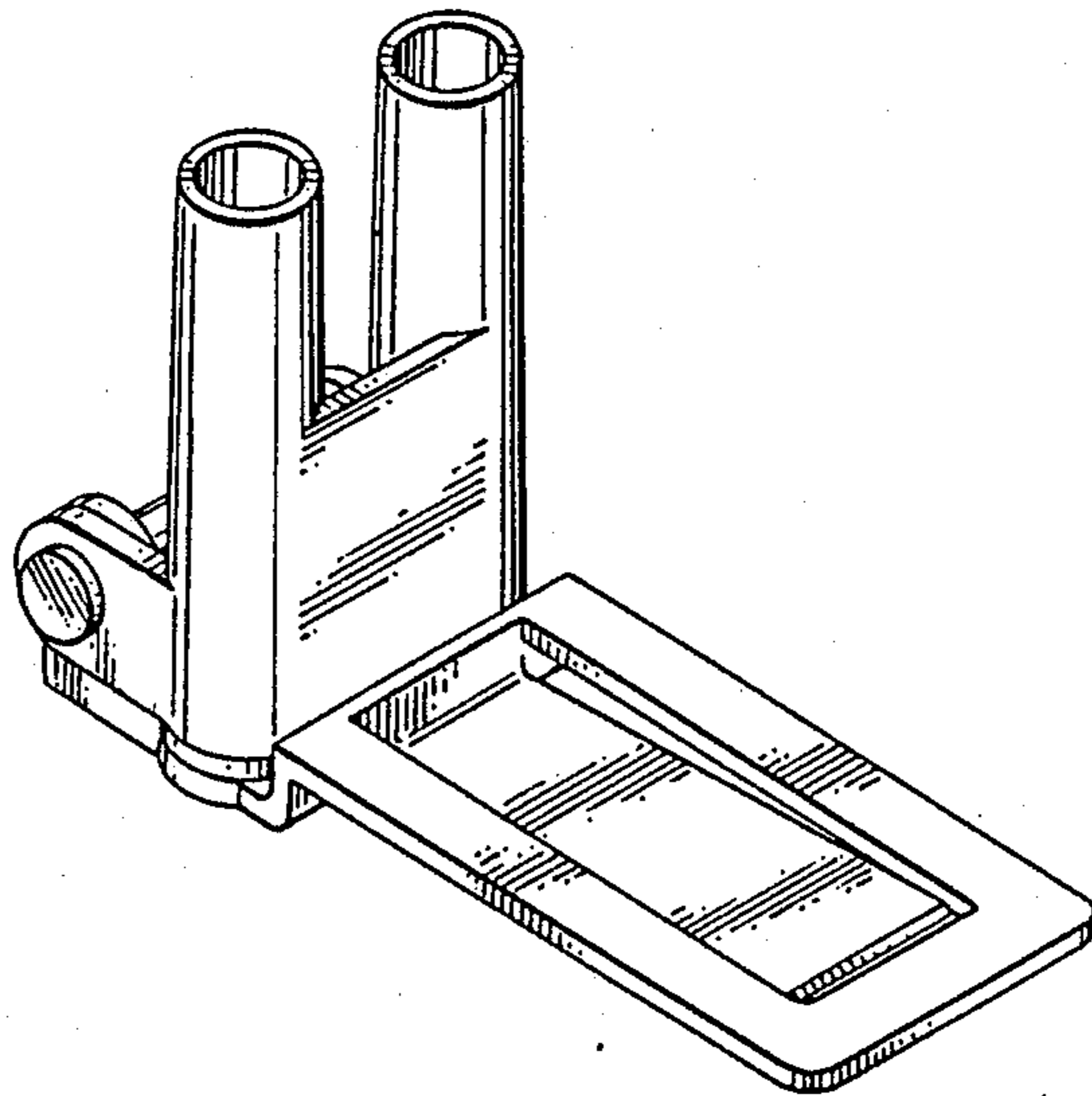


Fig. 1

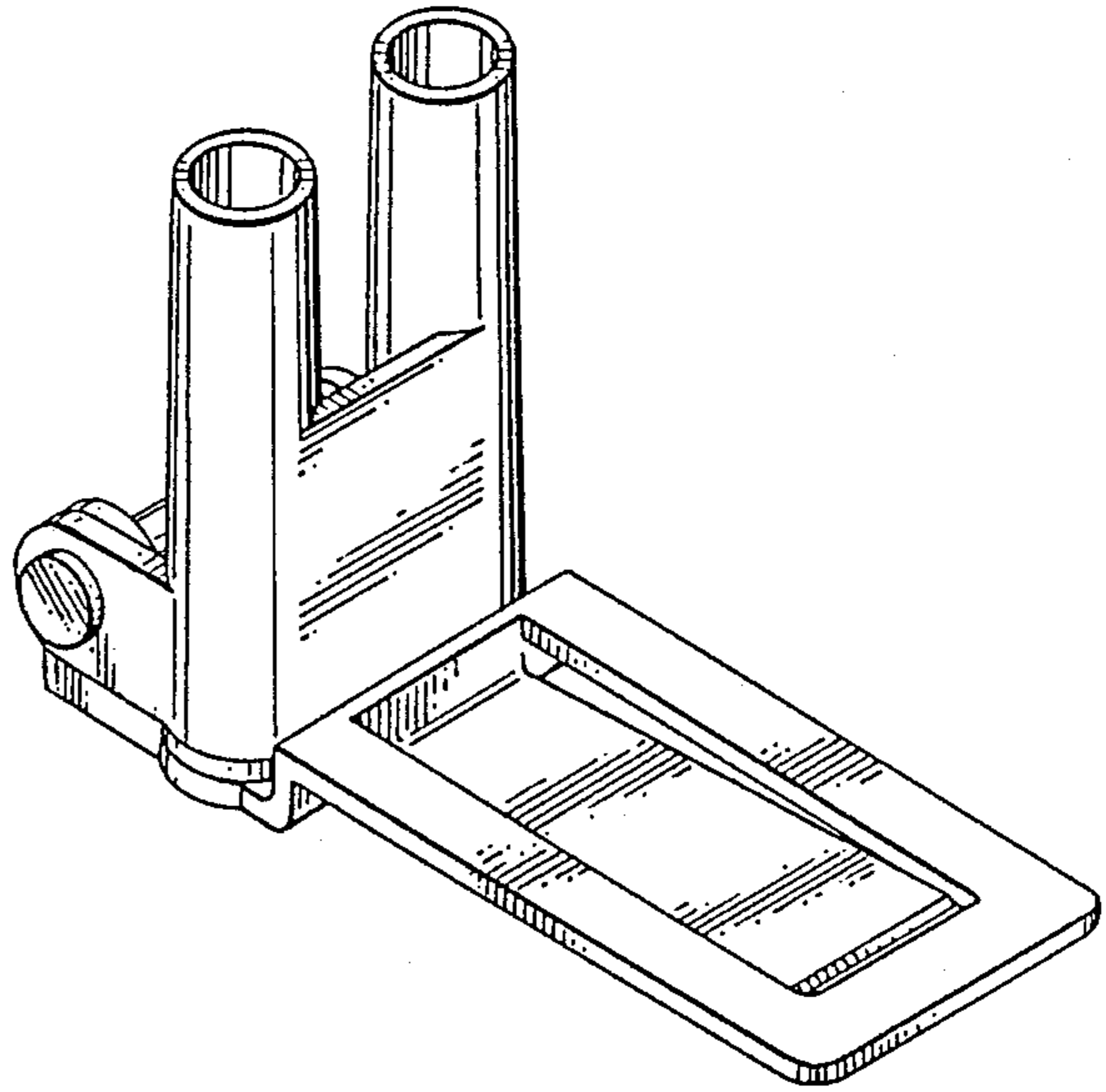


Fig. 2

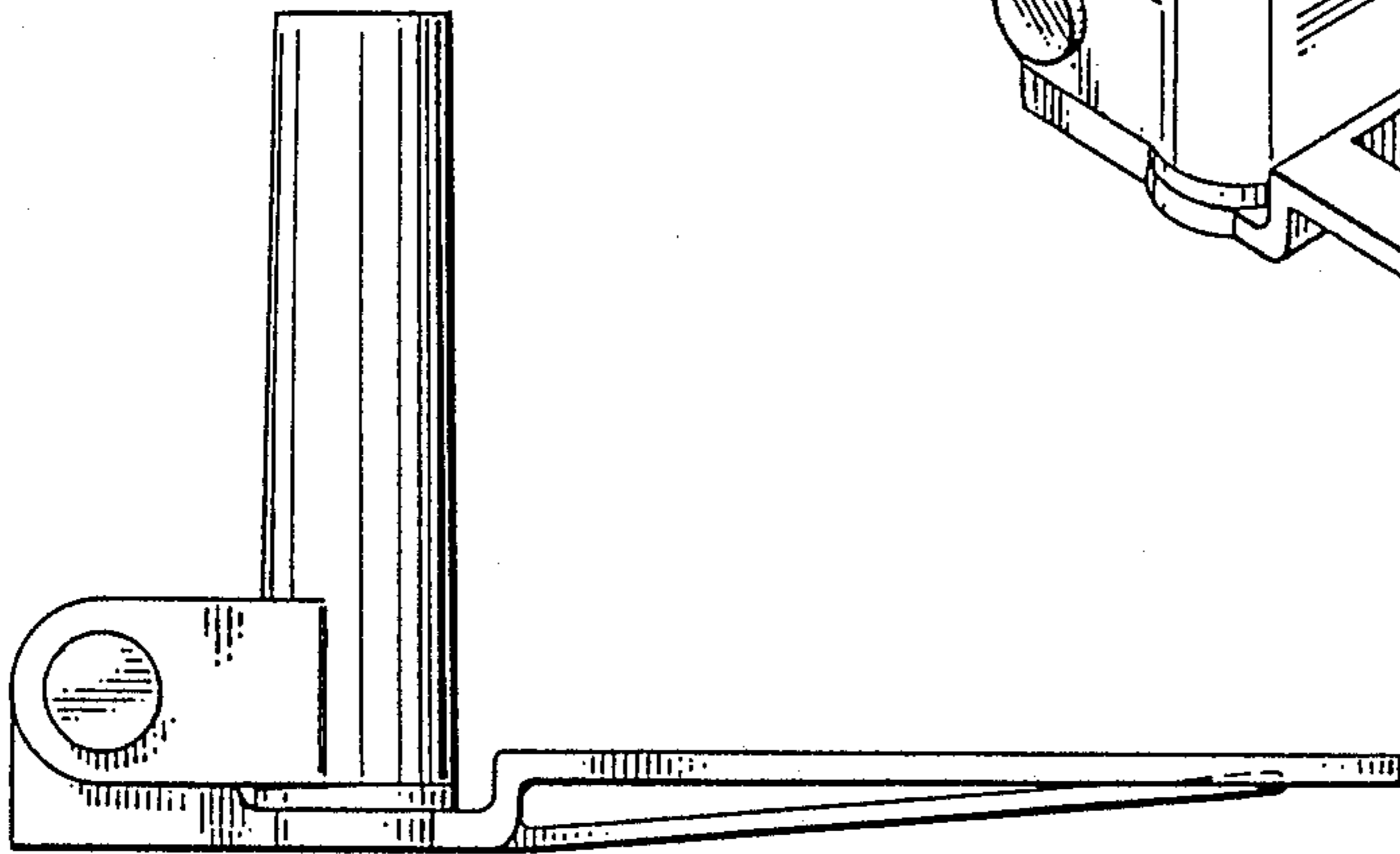


Fig. 5

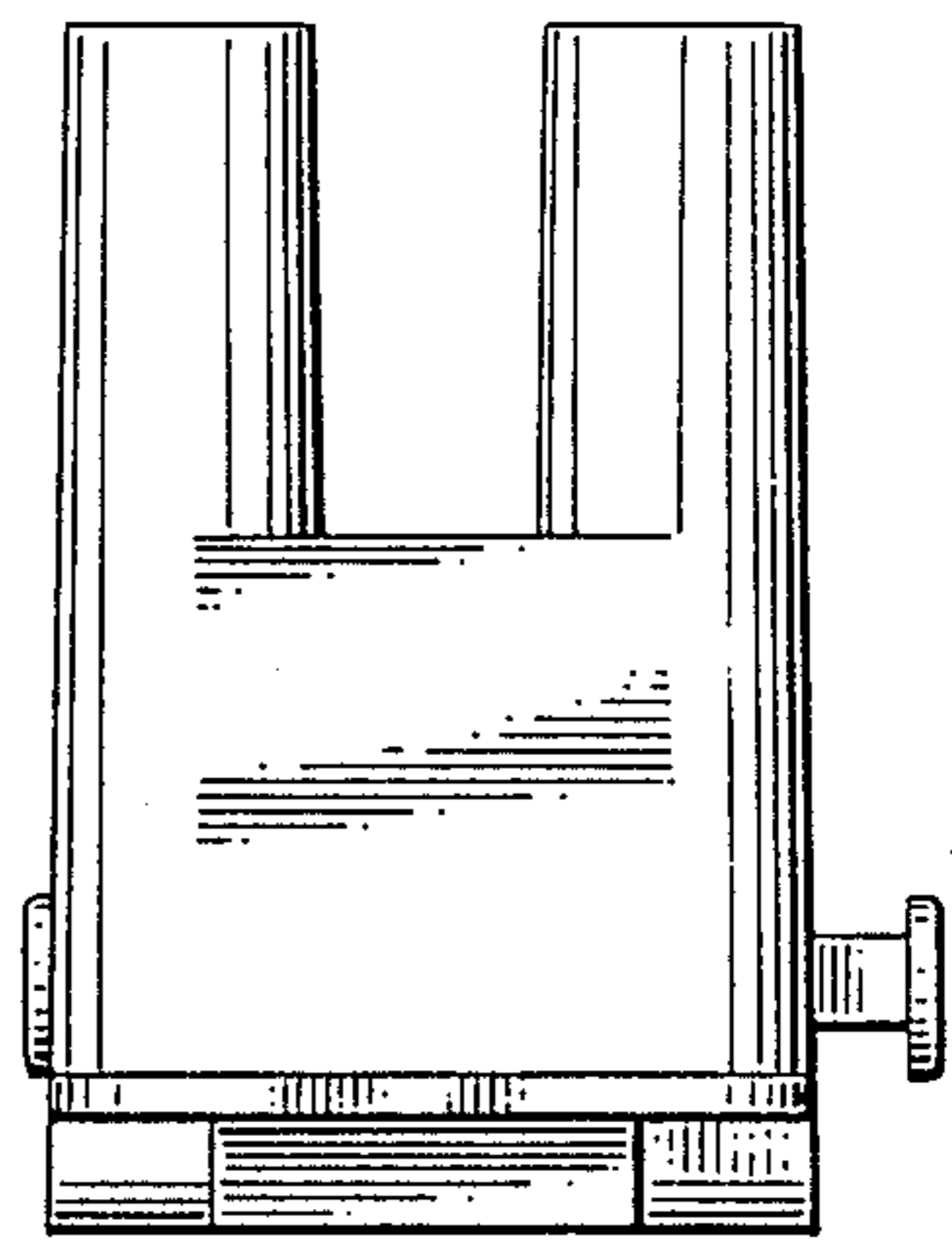


Fig. 3

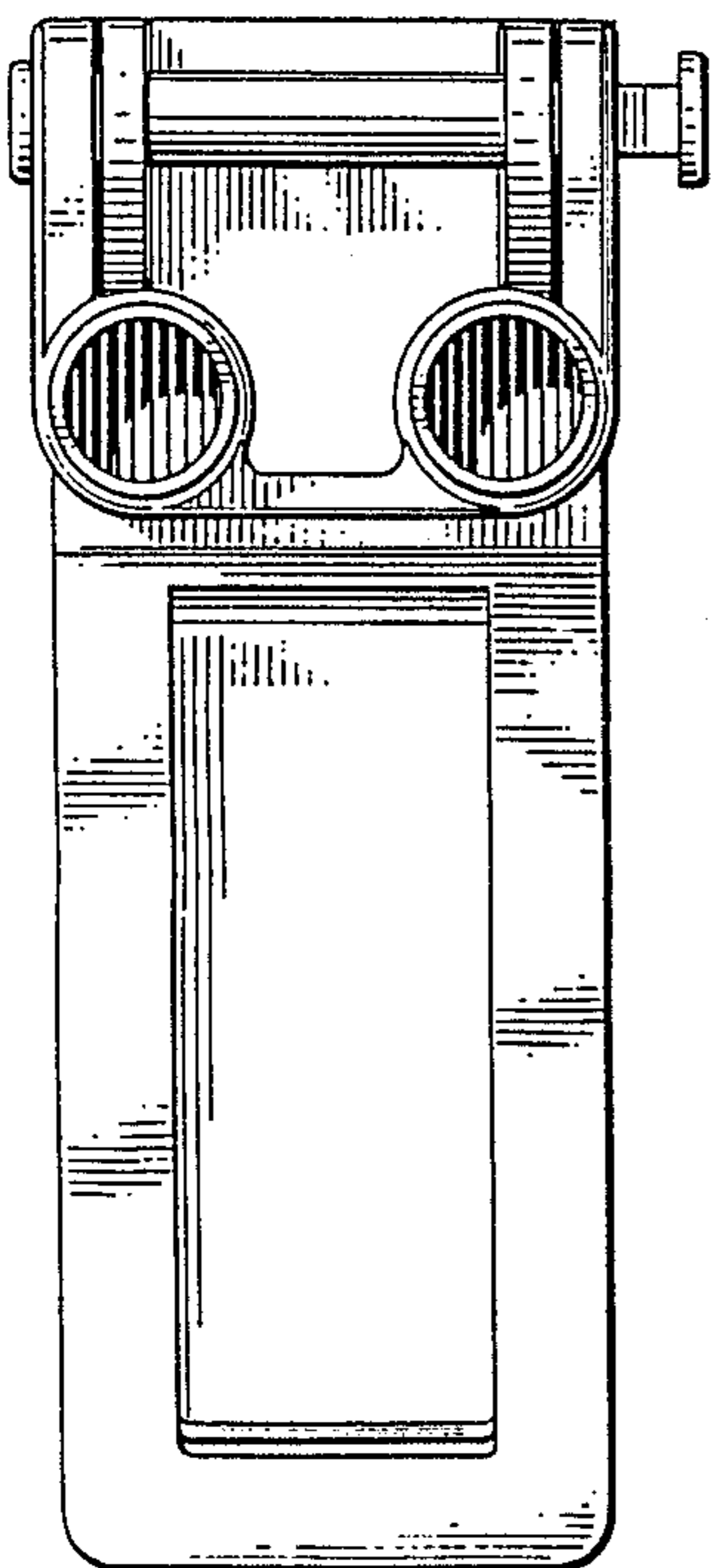


Fig. 4

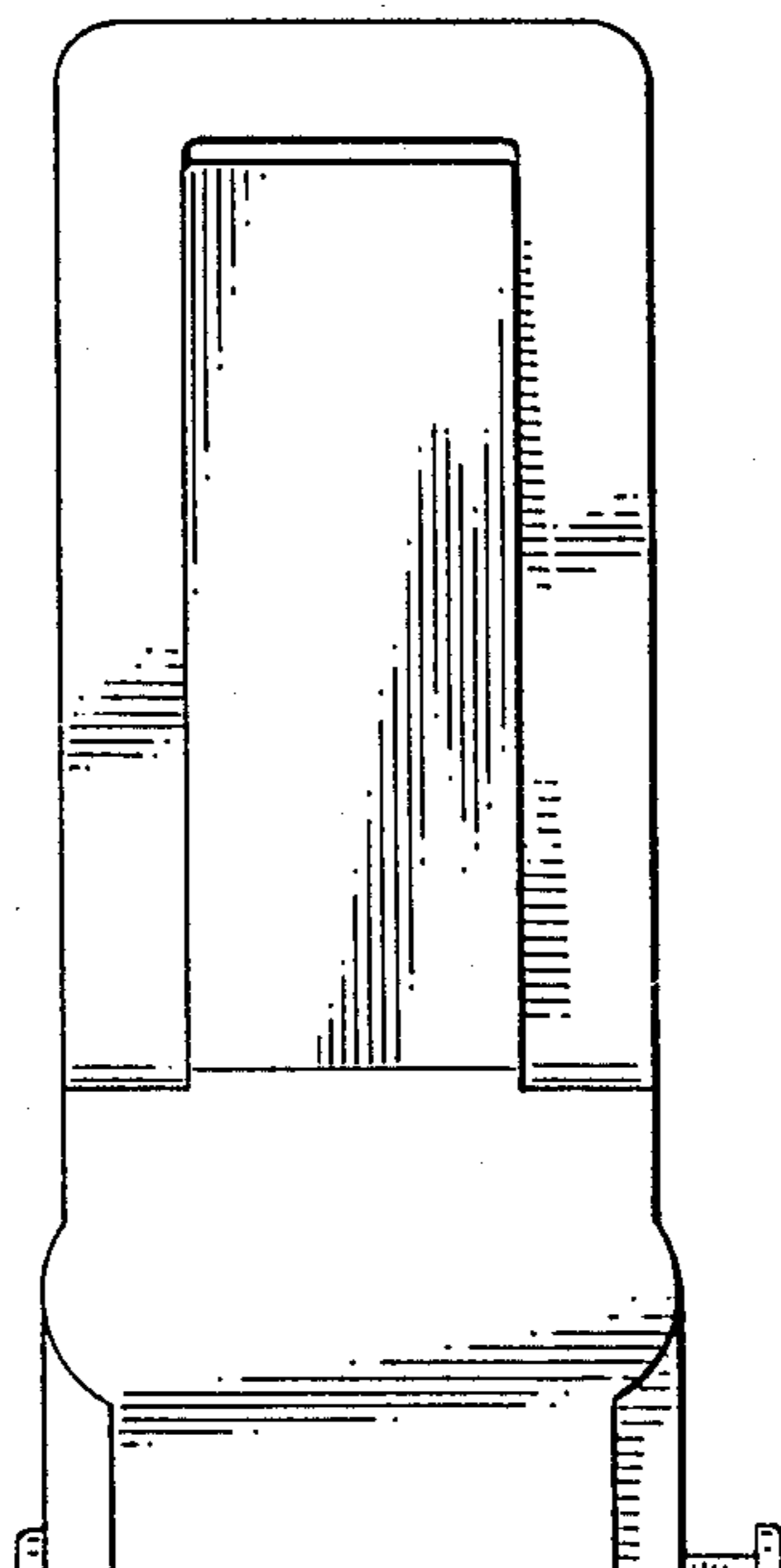


Fig. 6

