

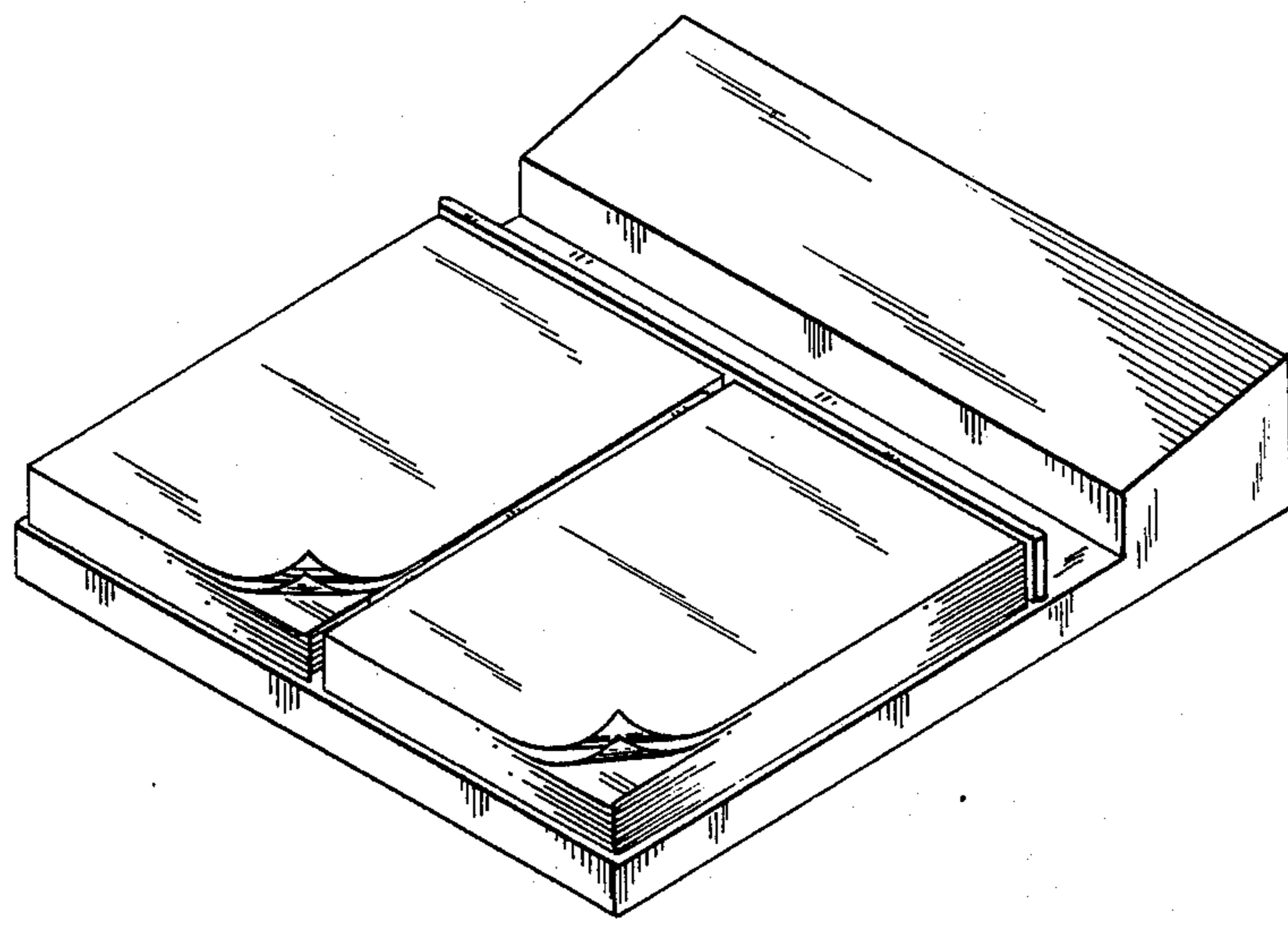
[54] **HOLDER FOR MEMO PADS**
[76] **Inventor: Stephen H. Wolff, 222 E. 35th St.,
New York, N.Y. 10016**
[*] **Notice: The portion of the term of this patent
subsequent to May 26, 2001 has been
disclaimed.**
[**] **Term: 14 Years**
[21] **Appl. No.: 744,979**
[22] **Filed: Jun. 17, 1985**
[52] **U.S. Cl. D19/70**
[58] **Field of Search D19/20, 25, 75-79,
D19/83, 86-88, 90-92; 206/214; D3/78**

[56] **References Cited**
U.S. PATENT DOCUMENTS
D. 101,066 9/1936 Richardson D19/78
D. 188,831 9/1960 Olson D19/92
D. 200,370 2/1965 Sherman D19/20

D. 258,469 3/1981 Lee D3/78
D. 273,798 5/1984 Pearson D19/78
D. 290,024 5/1978 Hennigan et al. D19/78
Primary Examiner—Charles A. Rademaker
Attorney, Agent, or Firm—Jacobs & Jacobs

[57] **CLAIM**
The ornamental design for a holder for memo pads, as
shown and described.

DESCRIPTION
FIG. 1 is a perspective view of a holder for memo pads
showing my new design;
FIG. 2 is a front elevational view;
FIG. 3 is a rear elevational view;
FIG. 4 is a left side elevational view;
FIG. 5 is a right side elevational view;
FIG. 6 is a top plan view;
FIG. 7 is a bottom plan view;
FIG. 8 is a cross sectional view taken along the lines
8—8 of FIG. 6.



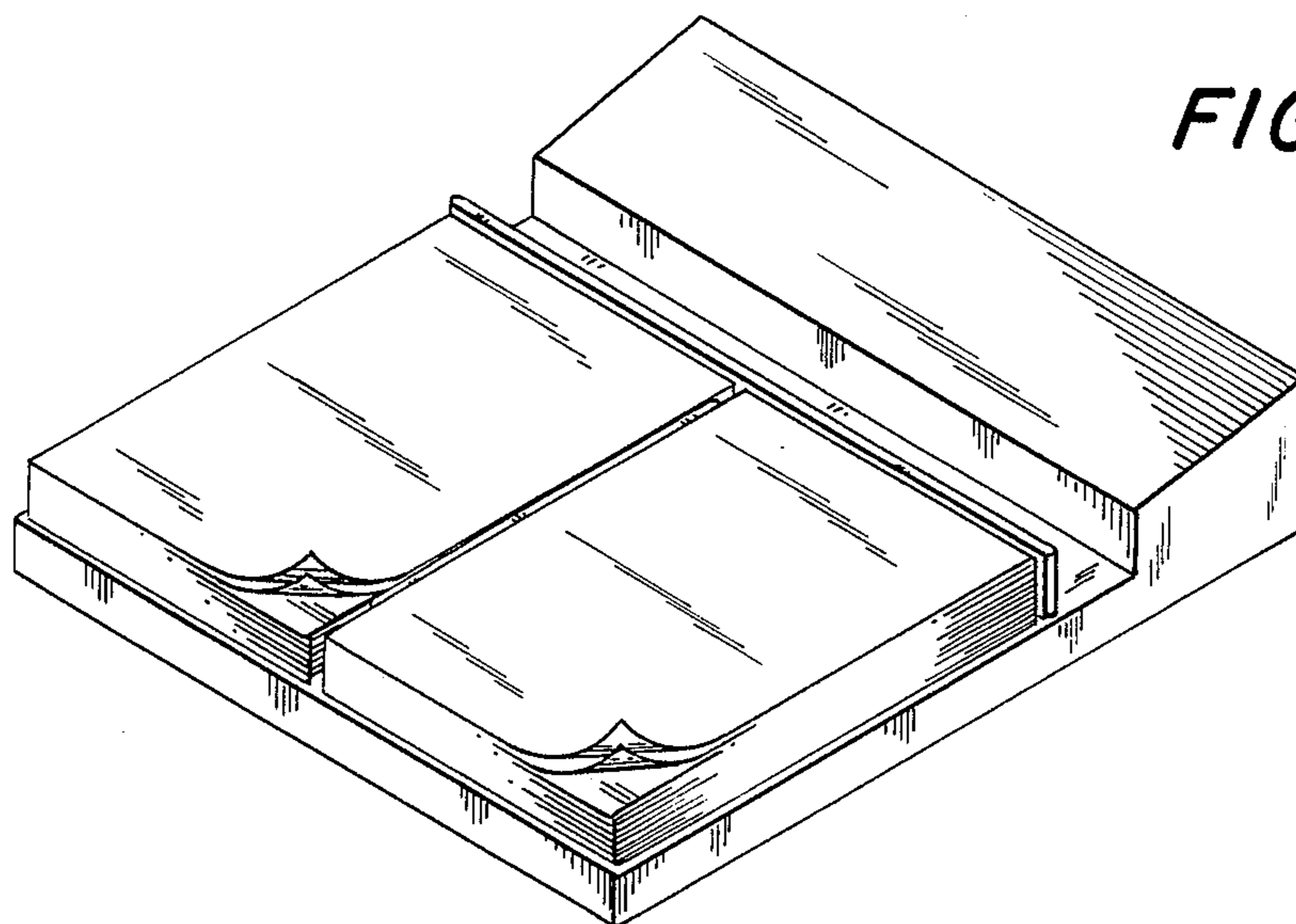


FIG. 1

81 ←

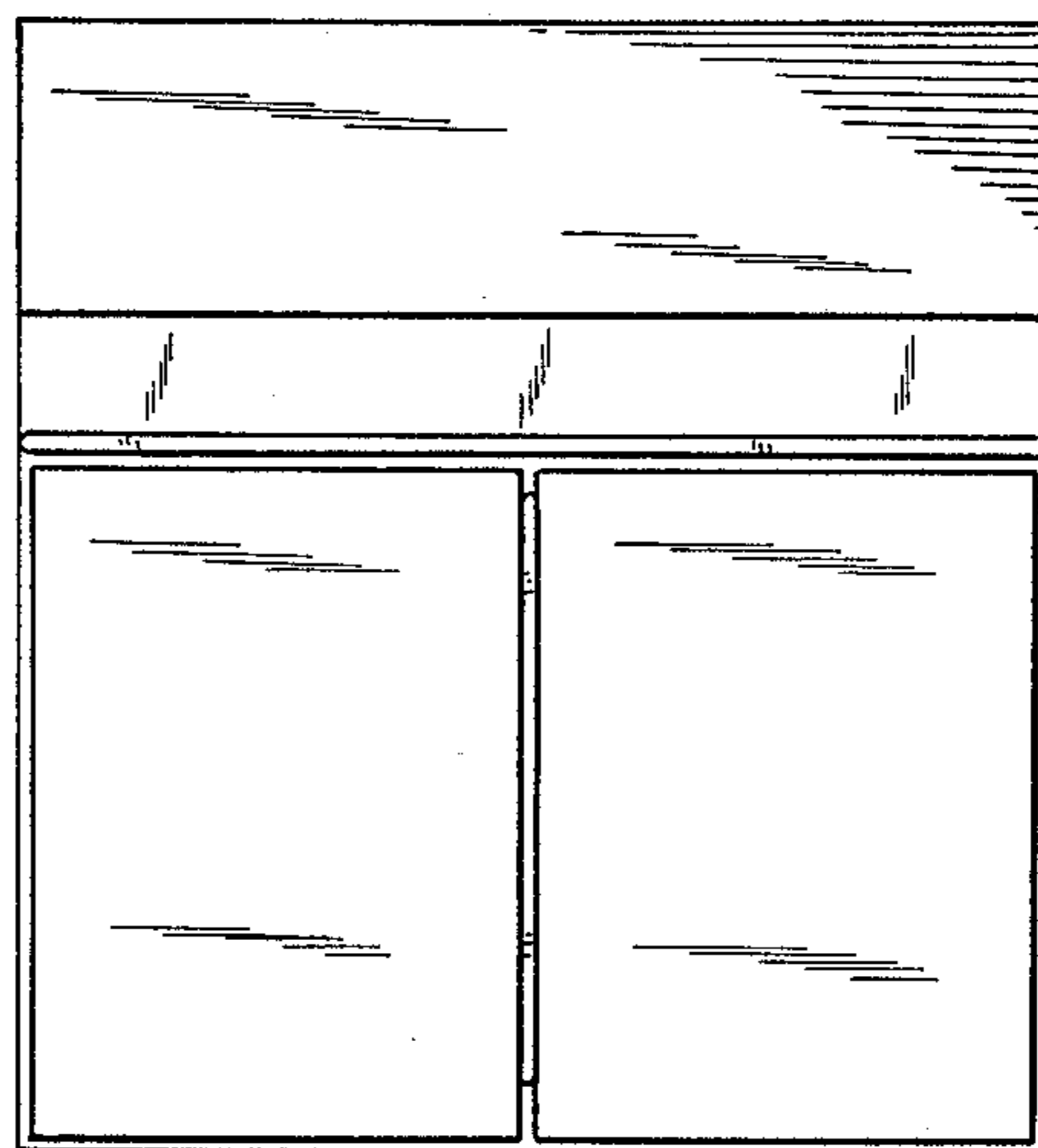


FIG. 6

81 ←

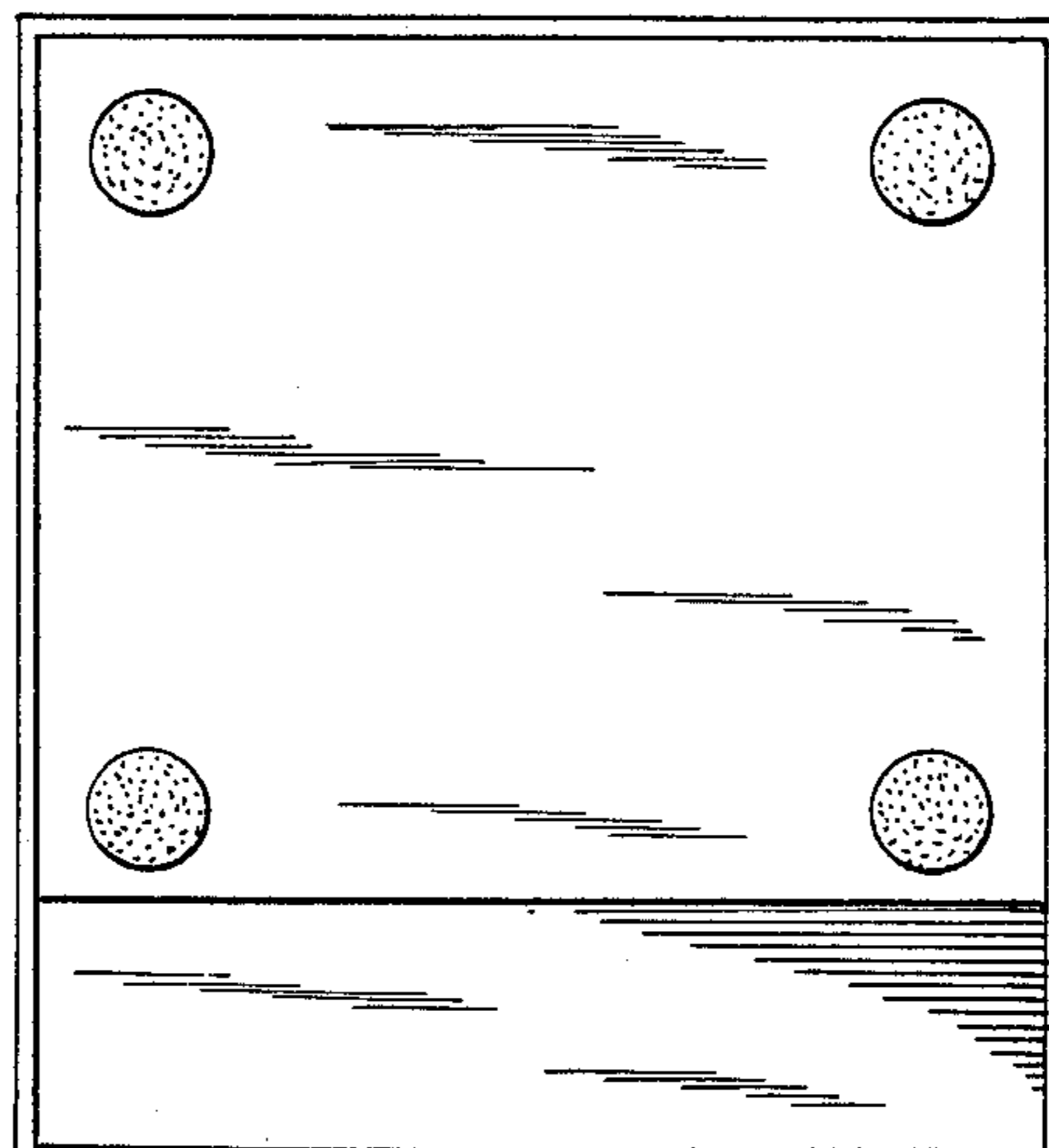


FIG. 7

FIG. 2

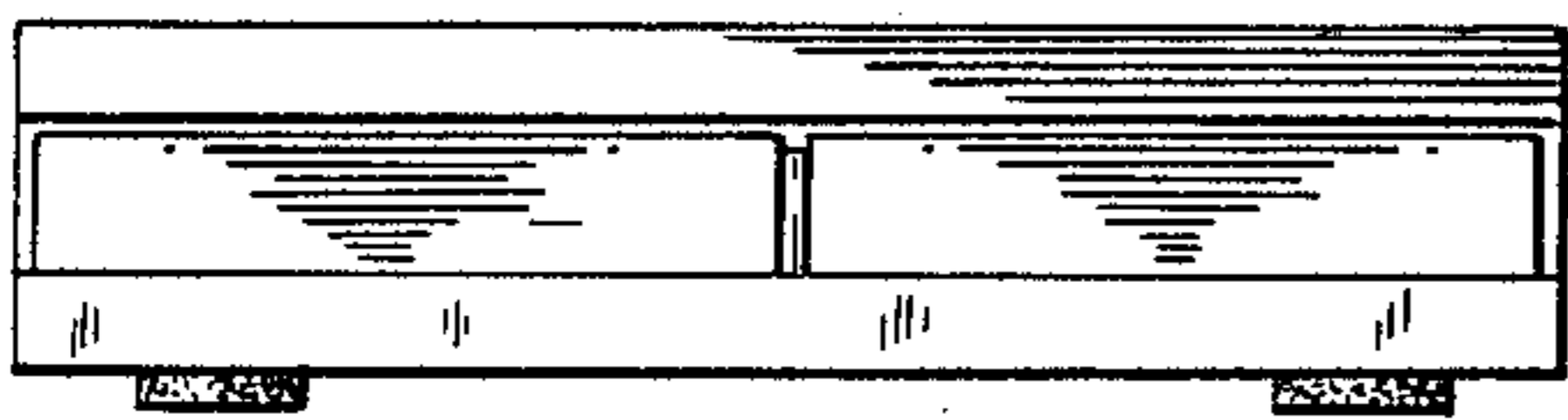


FIG. 3

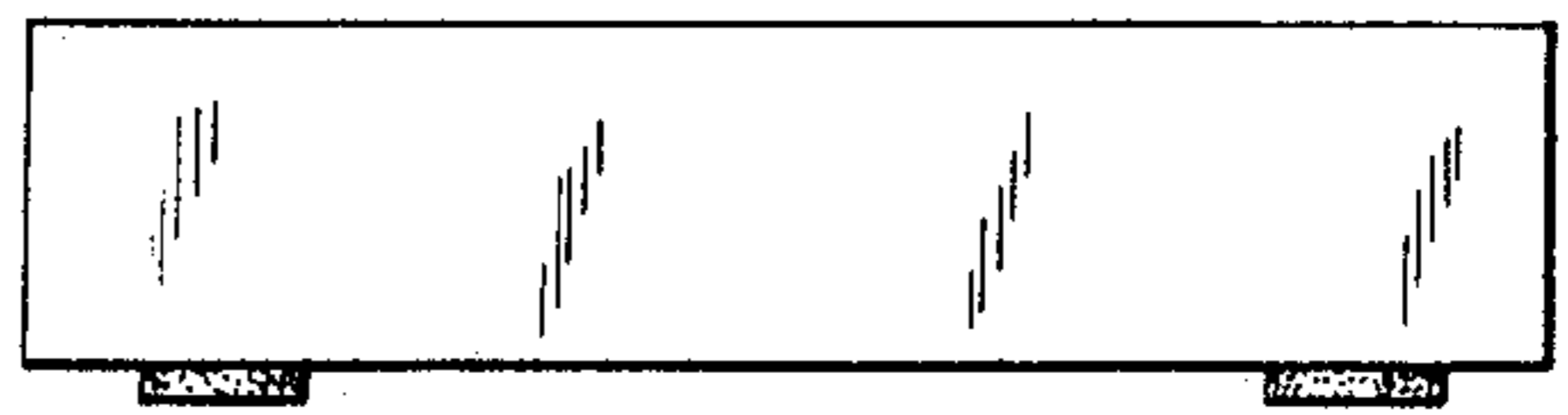


FIG. 4

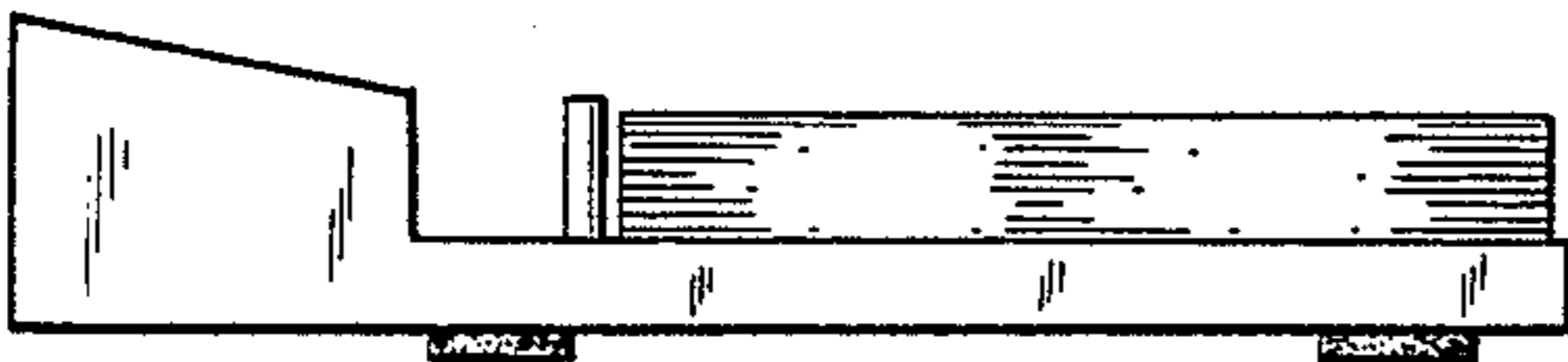


FIG. 5

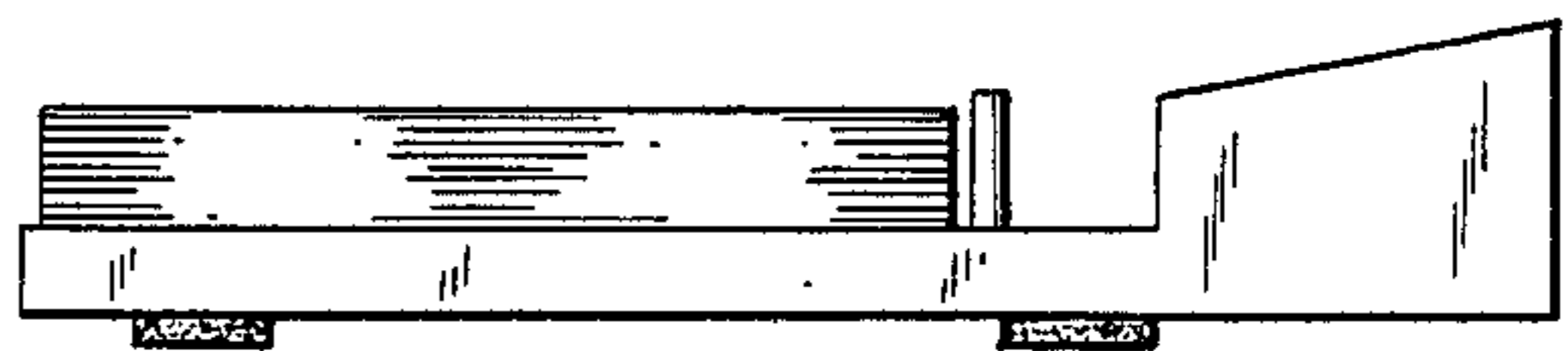


FIG. 8

