

[54] COMBINED JOINTER AND PLANER

[75] Inventors: Henry M. Pollak; John W. Mauger, both of Pottstown, Pa.

[73] Assignee: American Machine and Tool Company, Inc., Royersford, Pa.

[**] Term: 14 Years

[21] Appl. No.: 826,633

[22] Filed: Feb. 6, 1986

[52] U.S. Cl. D15/127

[58] Field of Search D8/61-70; D15/122, 127, 129; 144/36, 114 R

[56] References Cited

U.S. PATENT DOCUMENTS

D. 156,923	1/1951	Stevens	D15/127
169,520	11/1875	Chambers	144/114 R
D. 222,759	12/1971	Freeman	D15/127
D. 267,406	12/1982	Glore	D15/127
4,427,042	1/1984	Mitchell et al.	144/1

OTHER PUBLICATIONS

2 photographs illustrating a Jointer/Planer manufac-

tured by the Raxon Corporation of Taiwan ROC and sold in United States by Jet U.S.A.

2 photographs illustrating a design manufactured by Singer and sold by Sears.

Catalog advertisement for Sears, Roebuck Company.

Primary Examiner—B. J. Bullock

Assistant Examiner—Clare E. Heflin

Attorney, Agent, or Firm—Panitch Schwarze Jacobs & Nadel

[57] CLAIM

The ornamental design for a combined jointer and planer, as shown.

DESCRIPTION

FIG. 1 is a perspective view of the combined jointer and planer showing our new design;

FIG. 2 is a side elevational view thereof;

FIG. 3 is an opposite side elevational view thereof;

FIG. 4 is a top plan view thereof;

FIG. 5 is a bottom view thereof;

FIG. 6 is an end elevational view thereof;

FIG. 7 is an opposite end elevational view thereof;

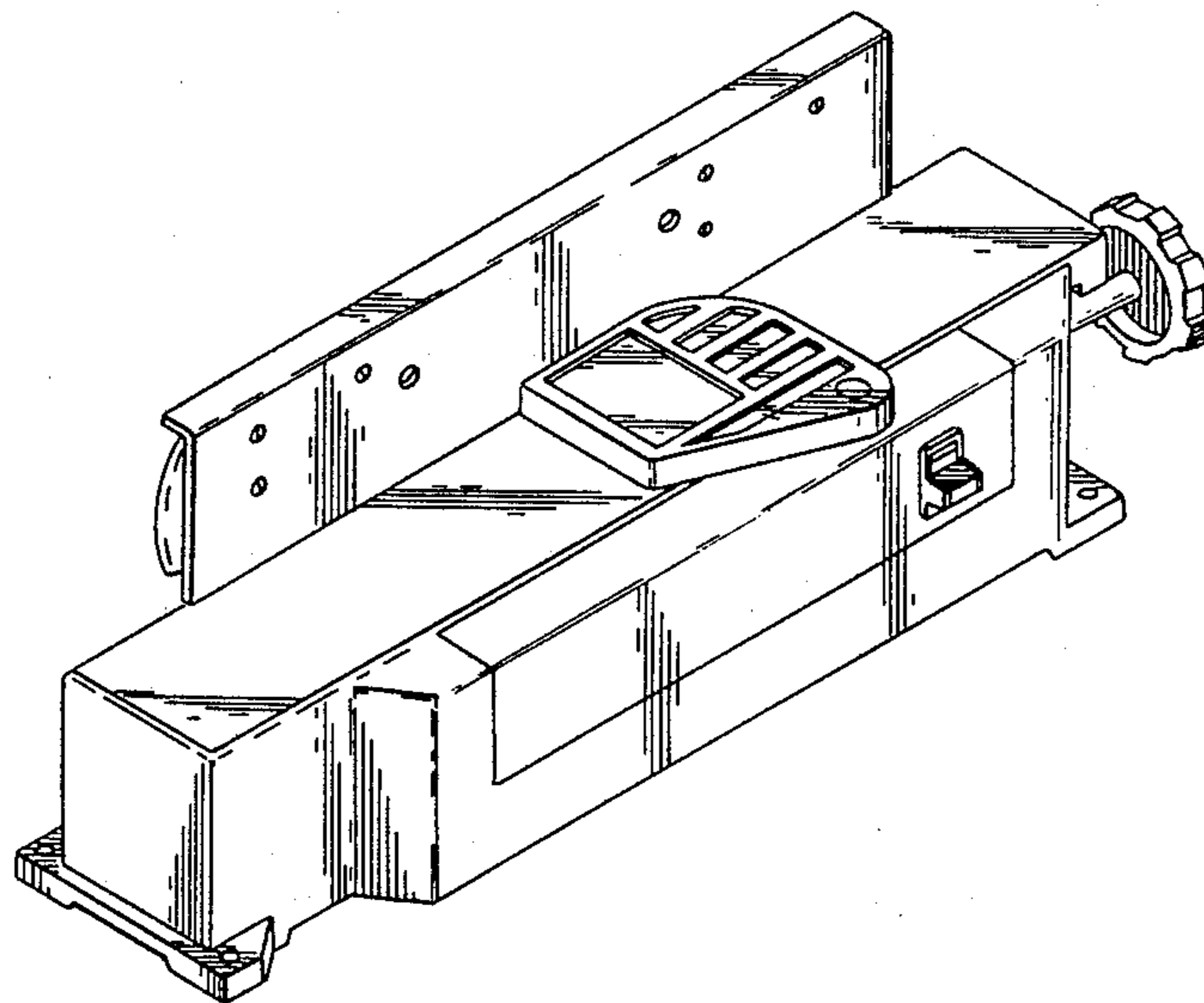


FIG. 1

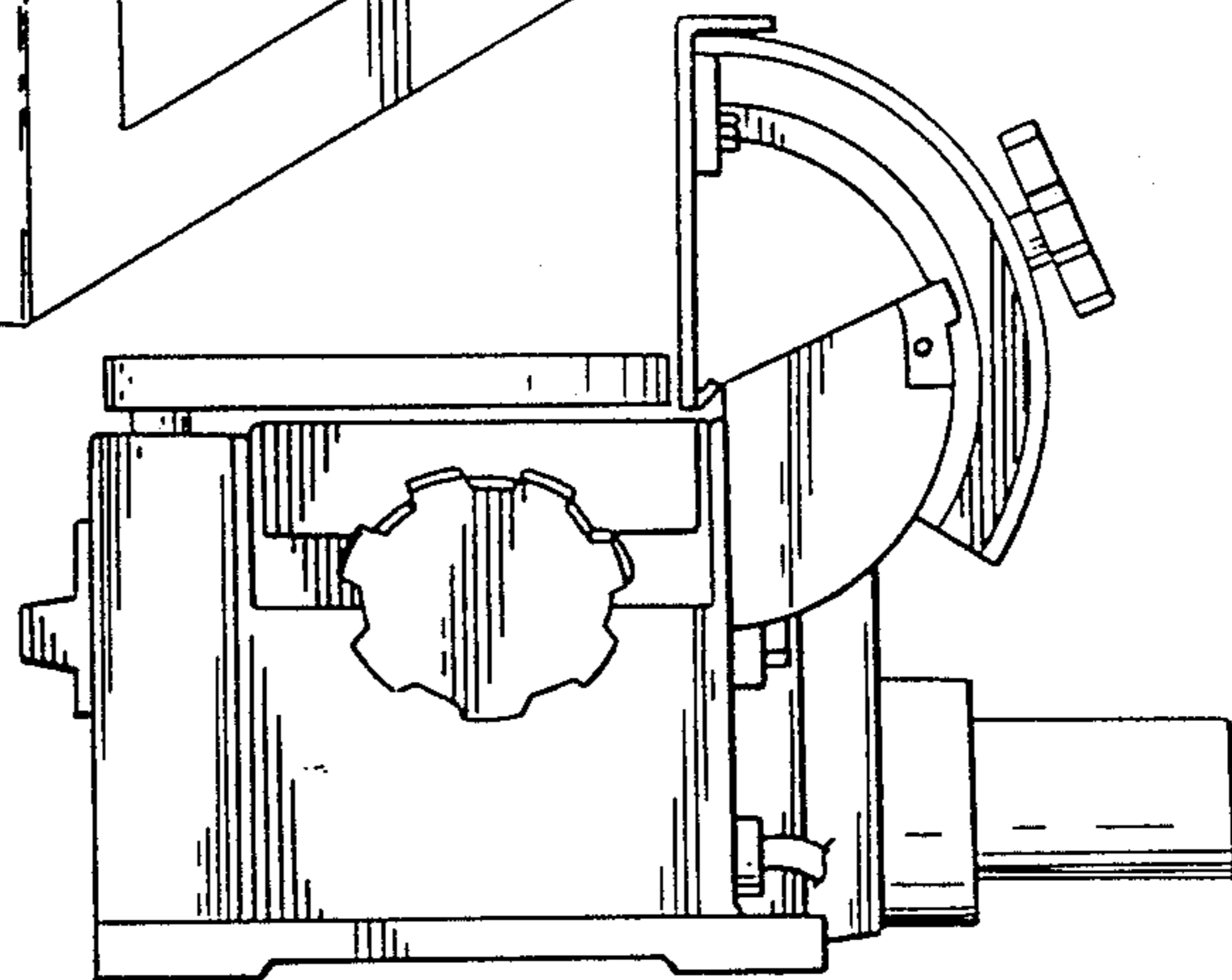
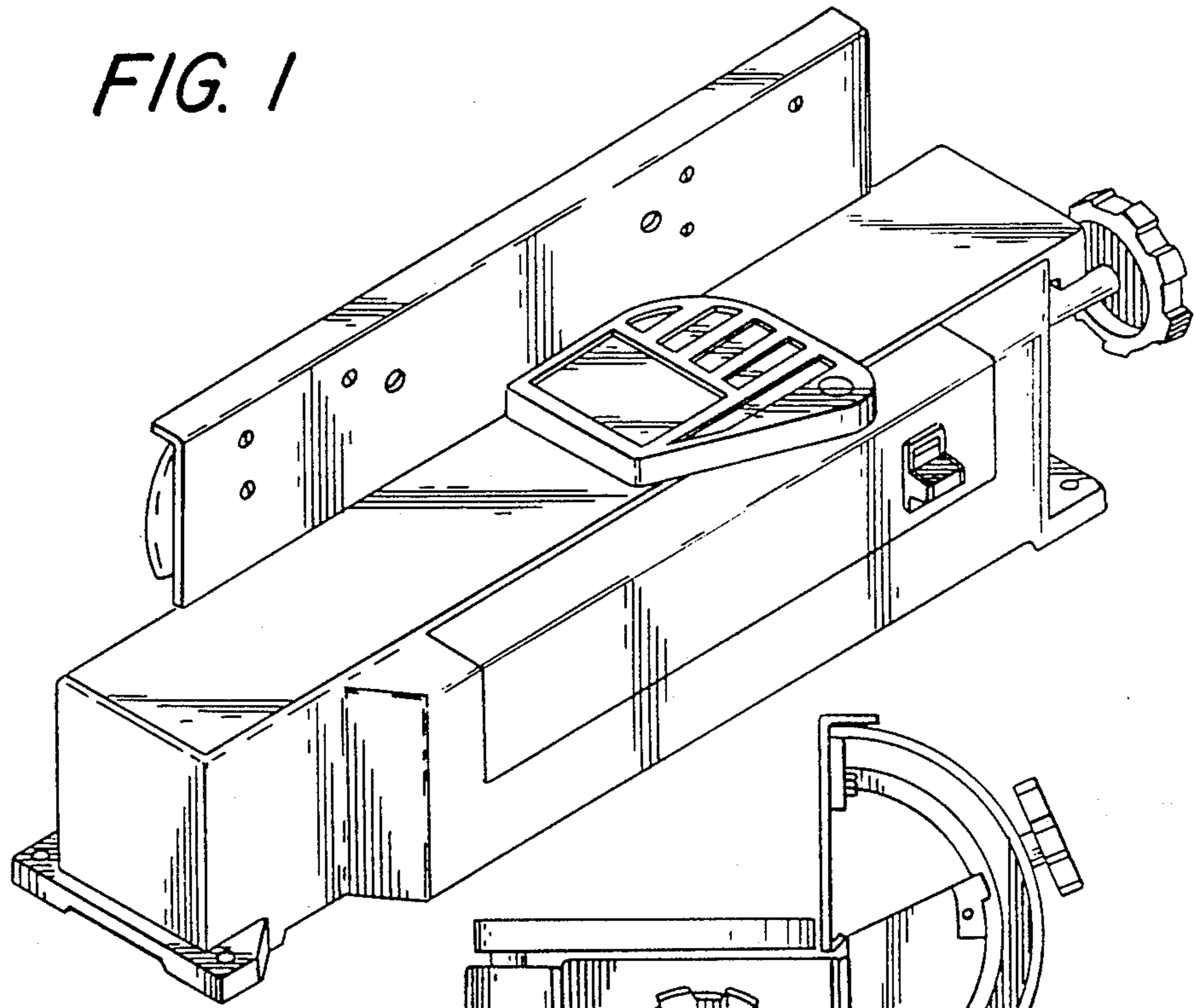


FIG. 6

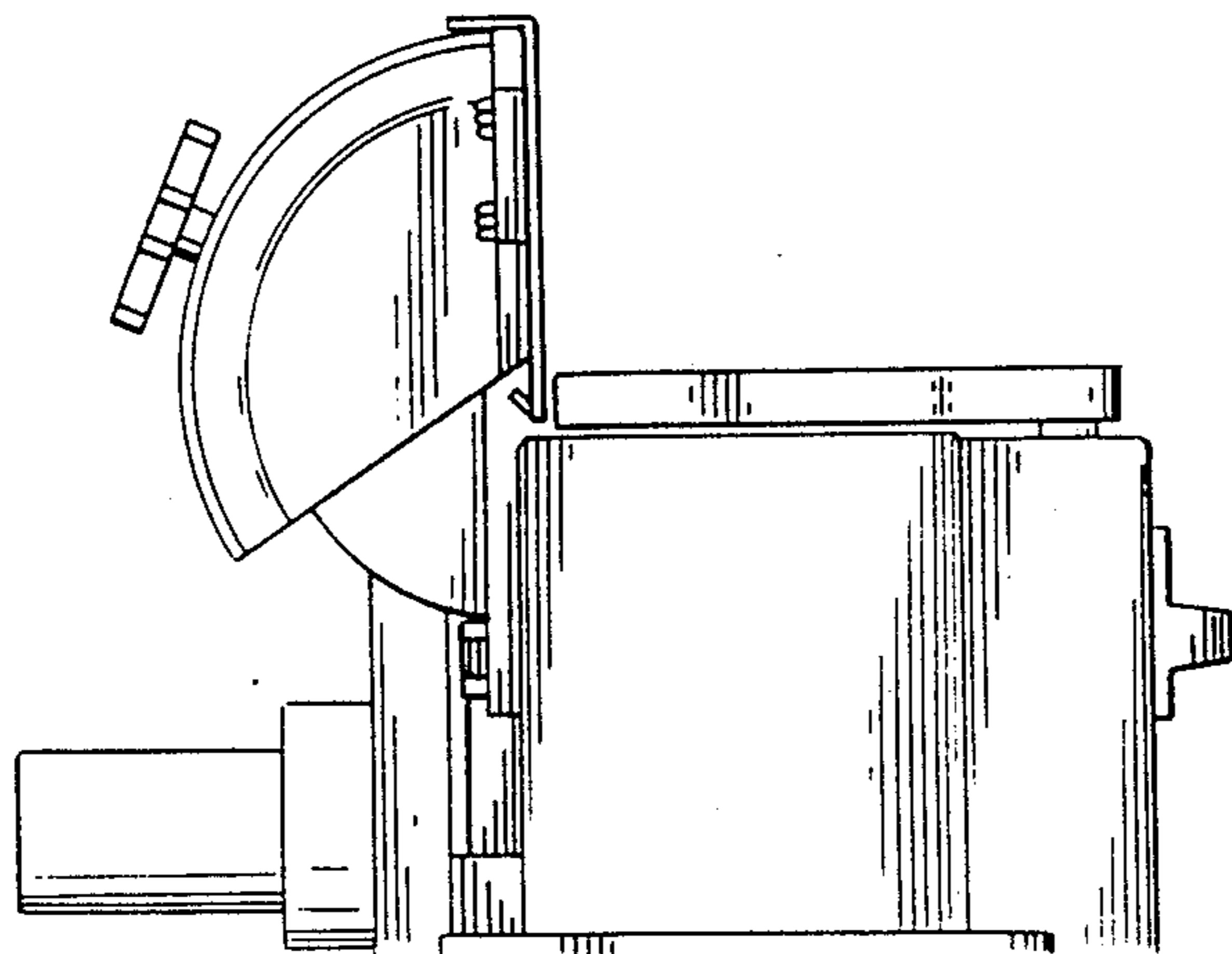


FIG. 7

FIG. 2

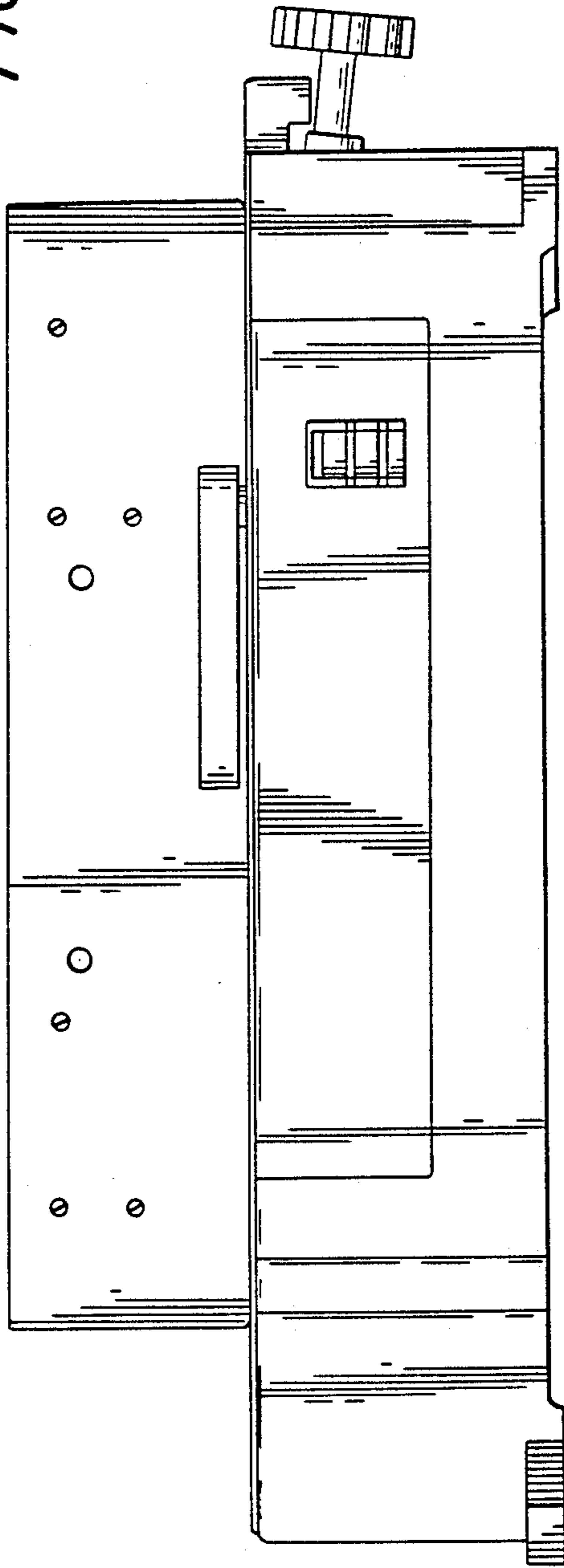
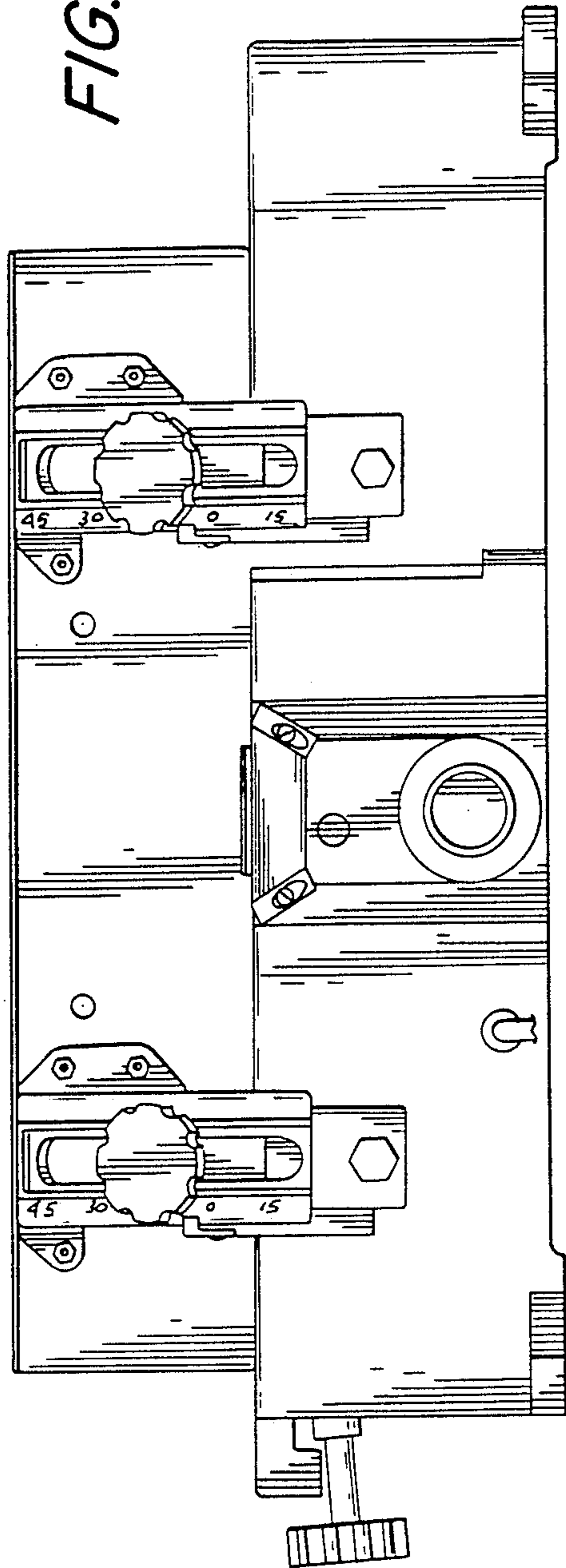


FIG. 3



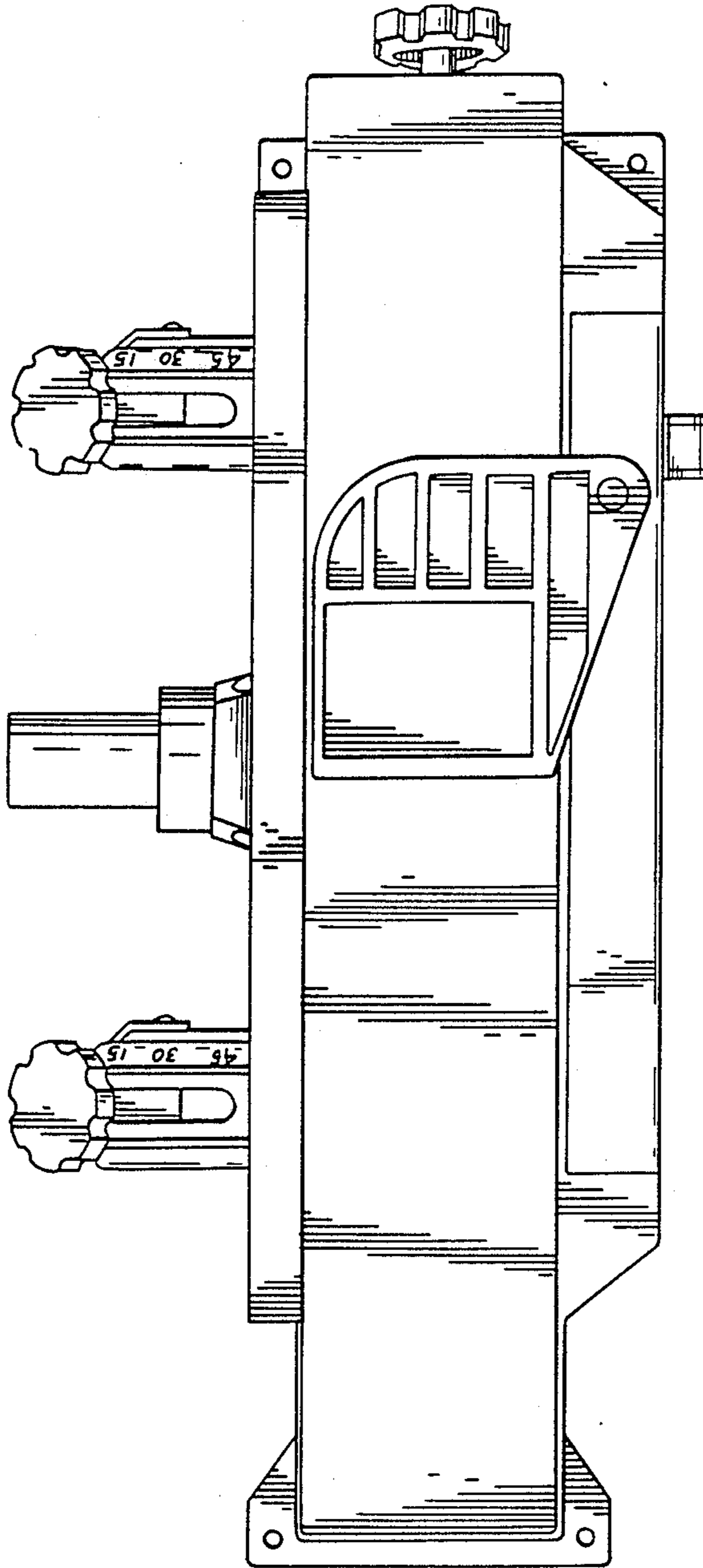


FIG. 4

FIG. 5

