

[54] **SEWING MACHINE**

[75] **Inventor: Giorgetto Giugiaro, Moncalieri, Italy**

[73] **Assignee: NECCHI Societa per Azioni, Pavia, Italy**

[**] **Term: 14 Years**

[21] **Appl. No.: 859,732**

[22] **Filed: May 5, 1986**

[30] **Foreign Application Priority Data**

Nov. 5, 1985 [IT] Italy 32308[U]
[52] **U.S. Cl. D15/70**
[58] **Field of Search D15/66-77;
112/258-261**

[56] **References Cited**

U.S. PATENT DOCUMENTS

D. 278,437 4/1985 Rosenblad D15/68

OTHER PUBLICATIONS

Vogue Patterns, Nov.-Dec., 1982, p. 13, upper right, Singer Sewing Machine.

Vogue Patterns, May-Jun., 1984, p. 6, Viking Sewing Machine.

Primary Examiner—Melvin B. Feifer
Attorney, Agent, or Firm—Stevens, Davis, Miller & Mosher

[57] **CLAIM**

The ornamental design for a sewing machine, as shown and described.

DESCRIPTION

FIG. 1 is a front elevational view of a sewing machine, showing my new design;
FIG. 2 is a right side elevational view of the sewing machine of FIG. 1;
FIG. 3 is a back elevational view of the sewing machine of FIG. 1;
FIG. 4 is a left side elevational view of the sewing machine of FIG. 1;
FIG. 5 is a top plan view of the sewing machine of FIG. 1;
FIG. 6 is a front perspective view of the sewing machine of FIG. 1;
FIG. 7 is a back perspective view of the sewing machine of FIG. 1.

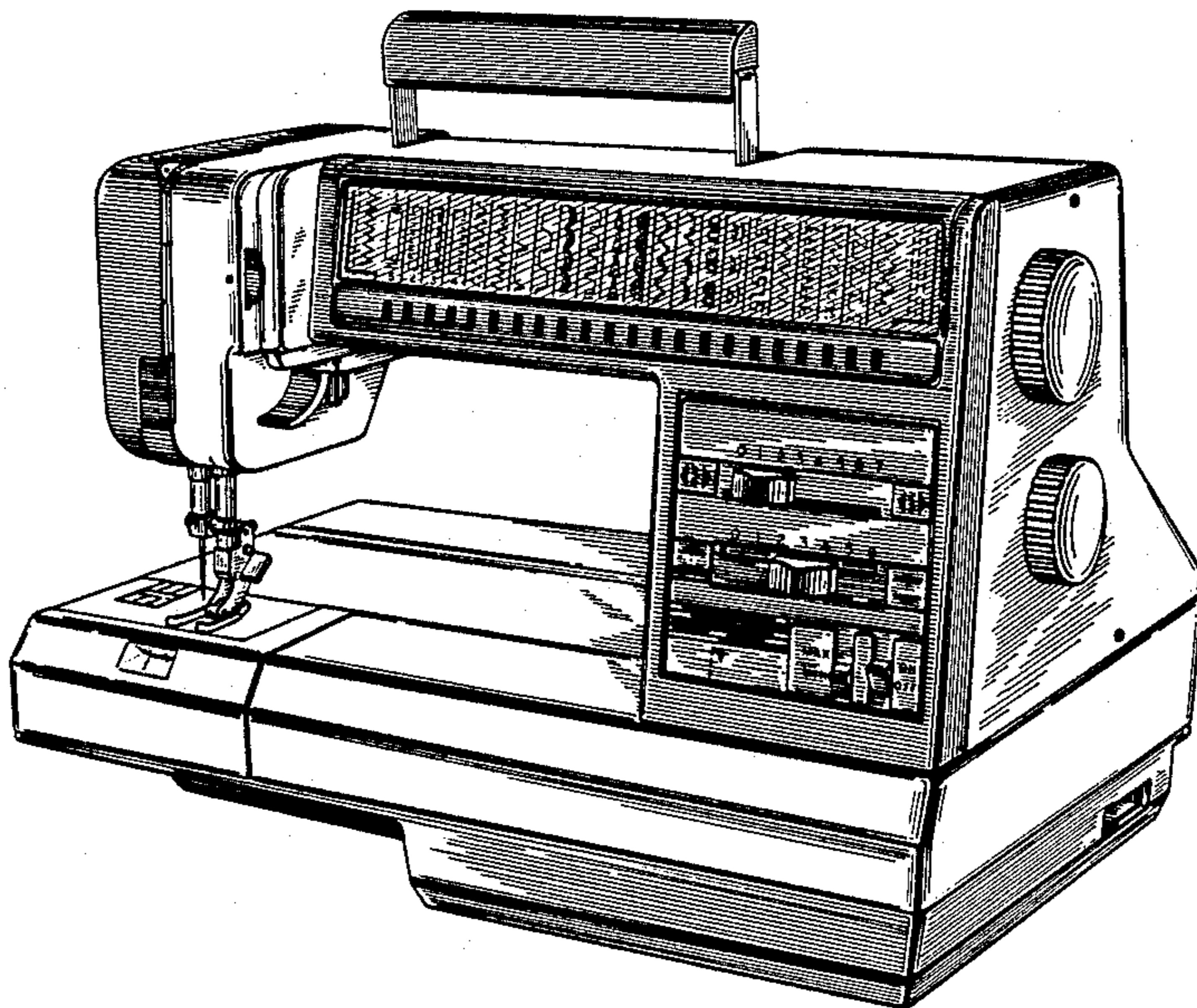


FIG. 1

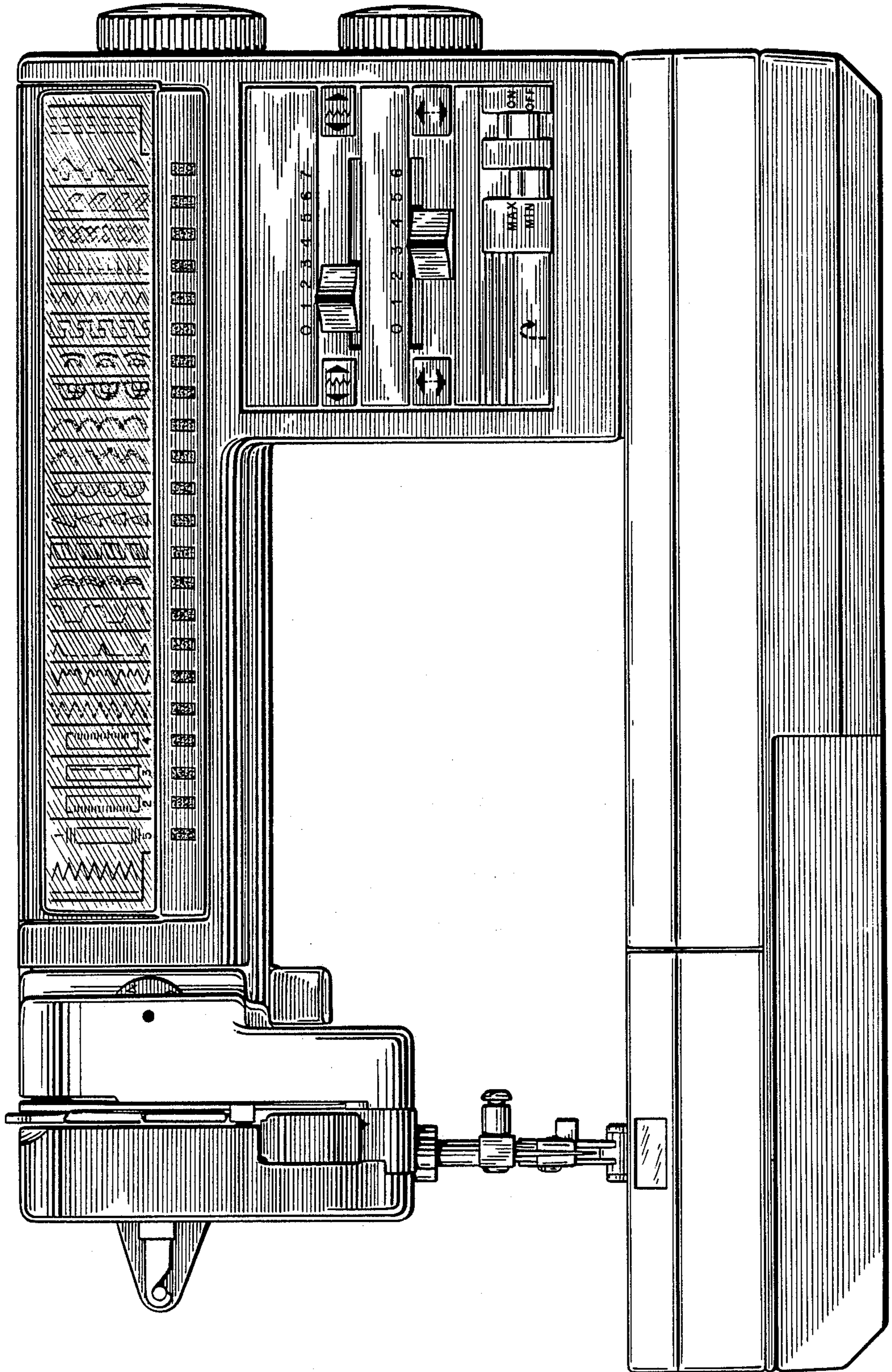


FIG. 2

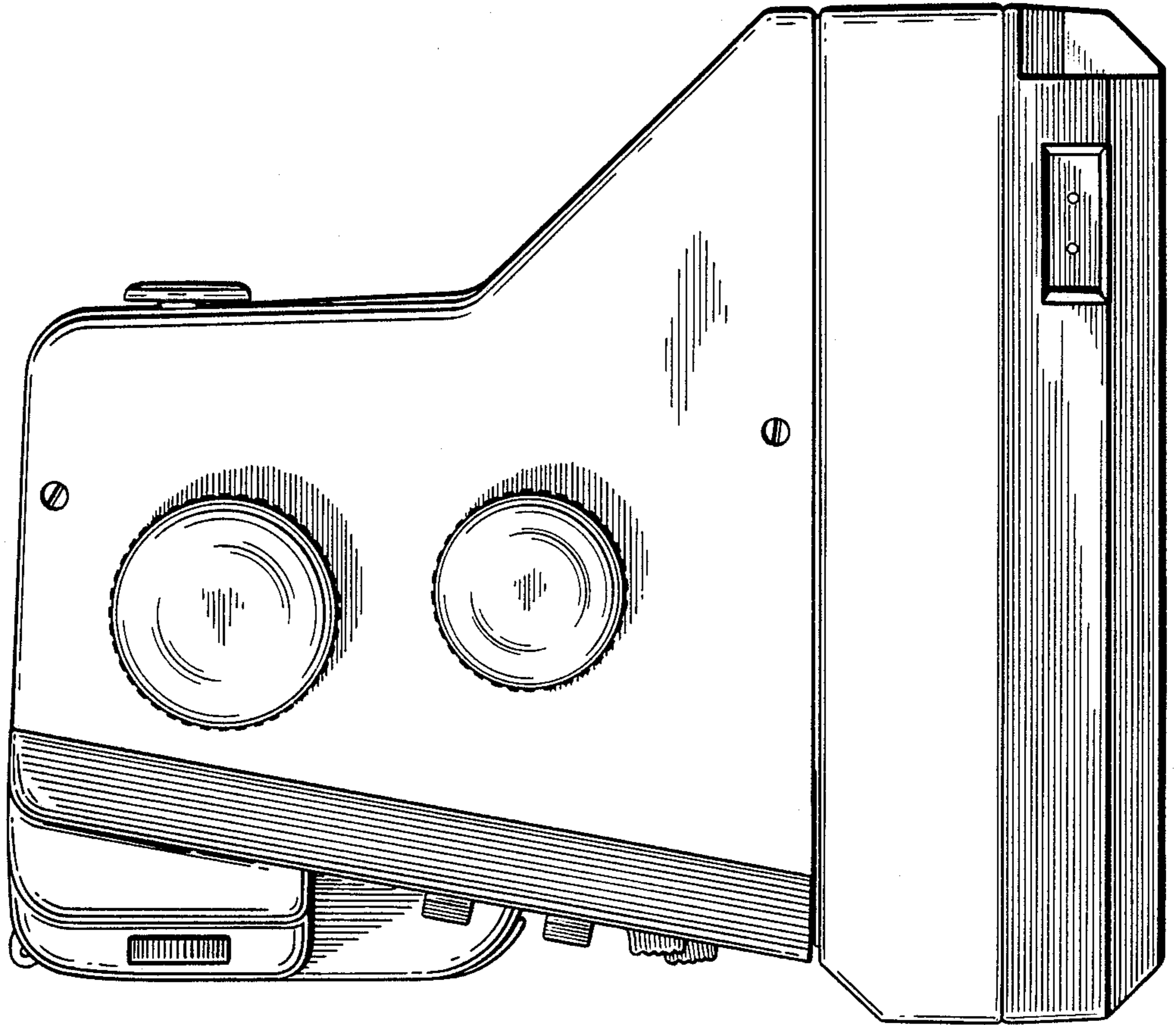


FIG. 4

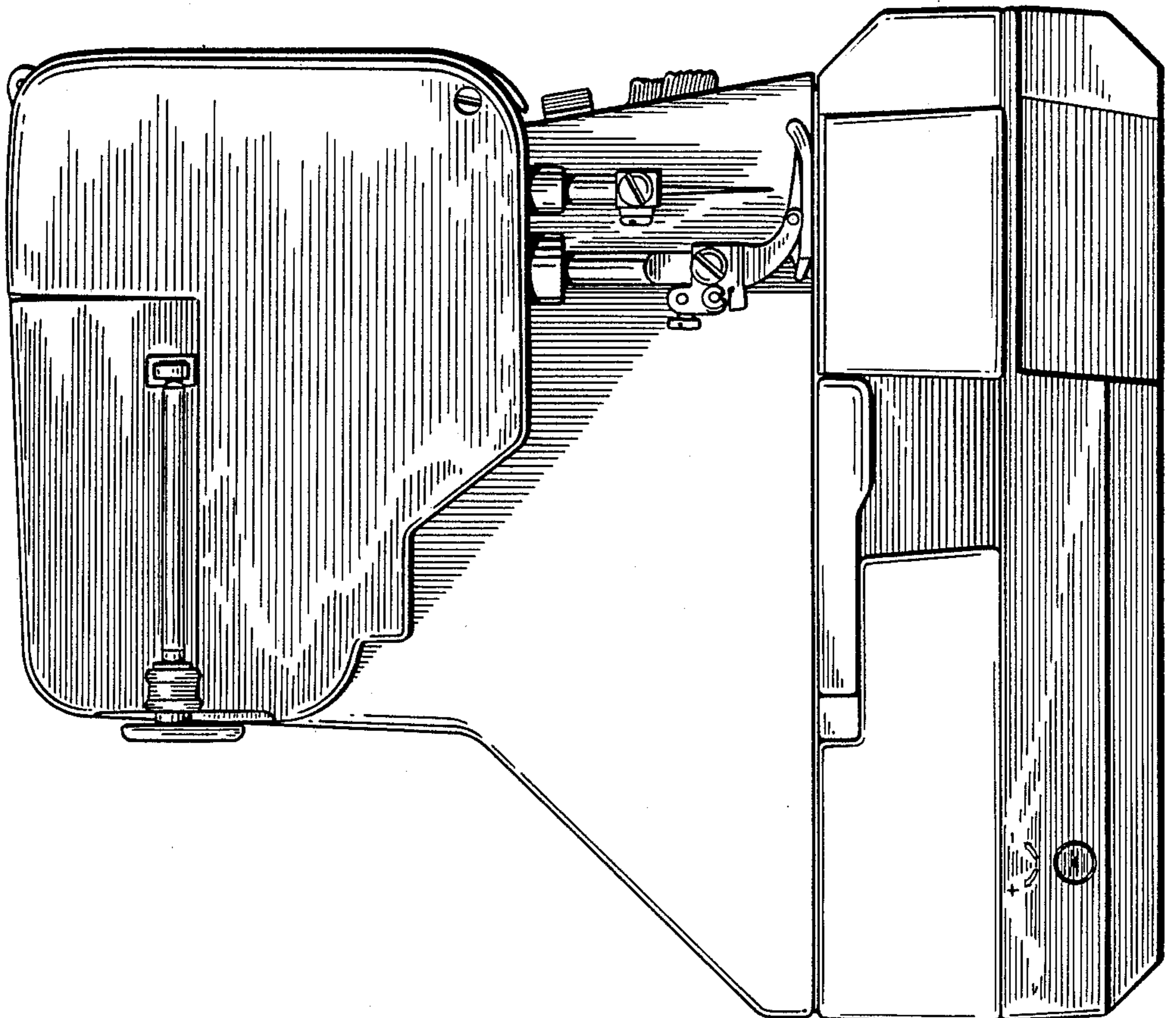


FIG. 3

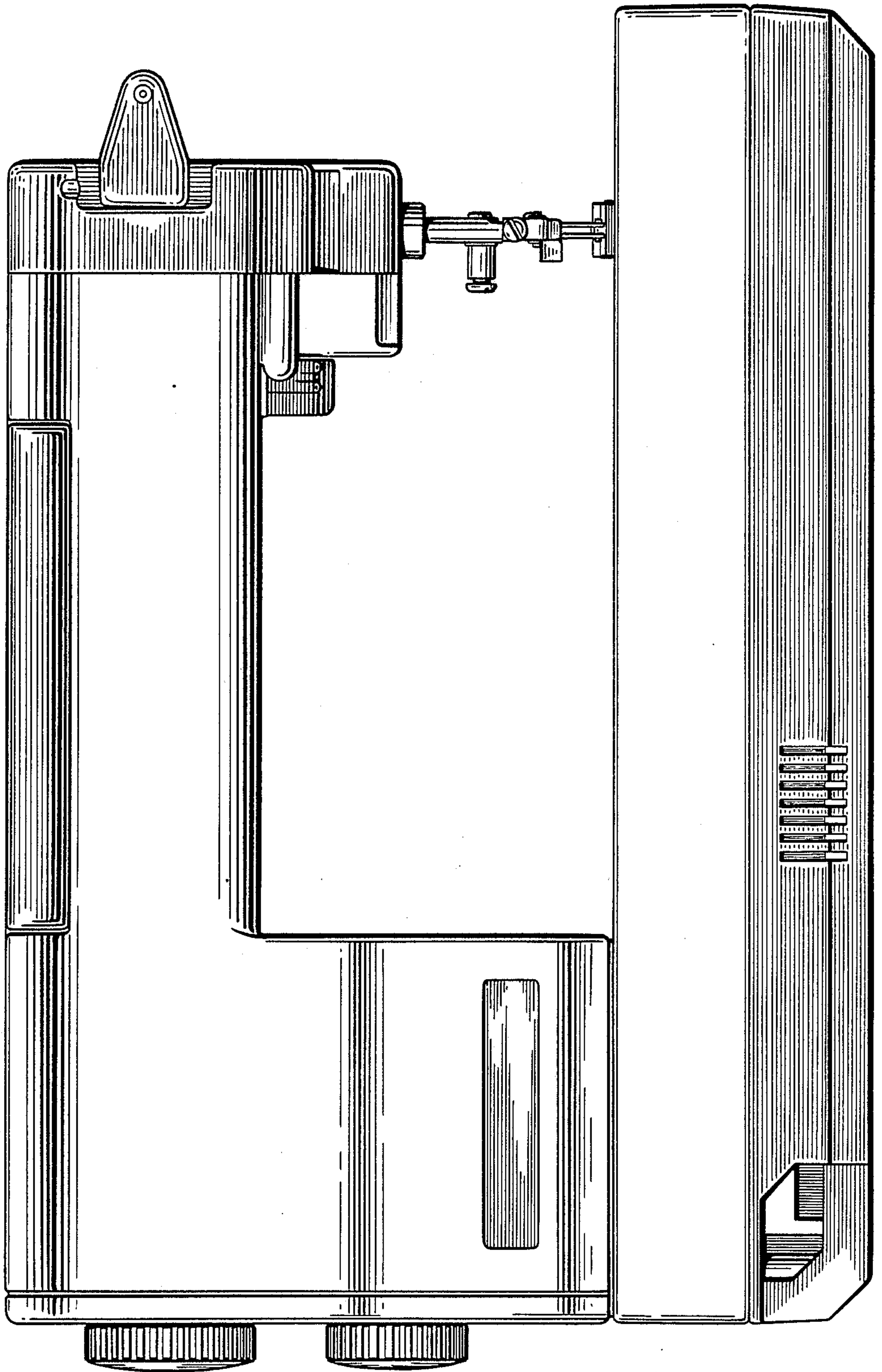


FIG. 5

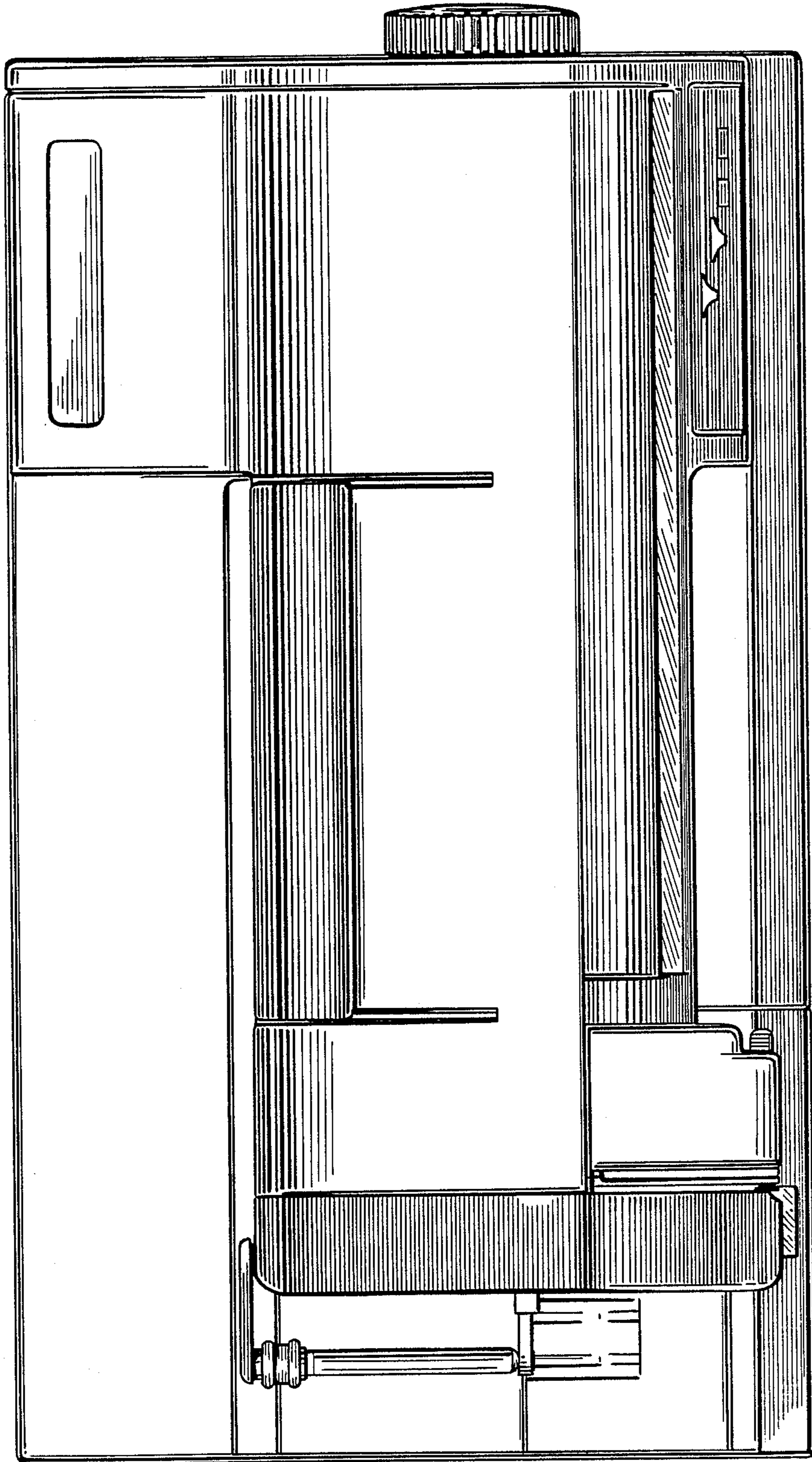


FIG. 6

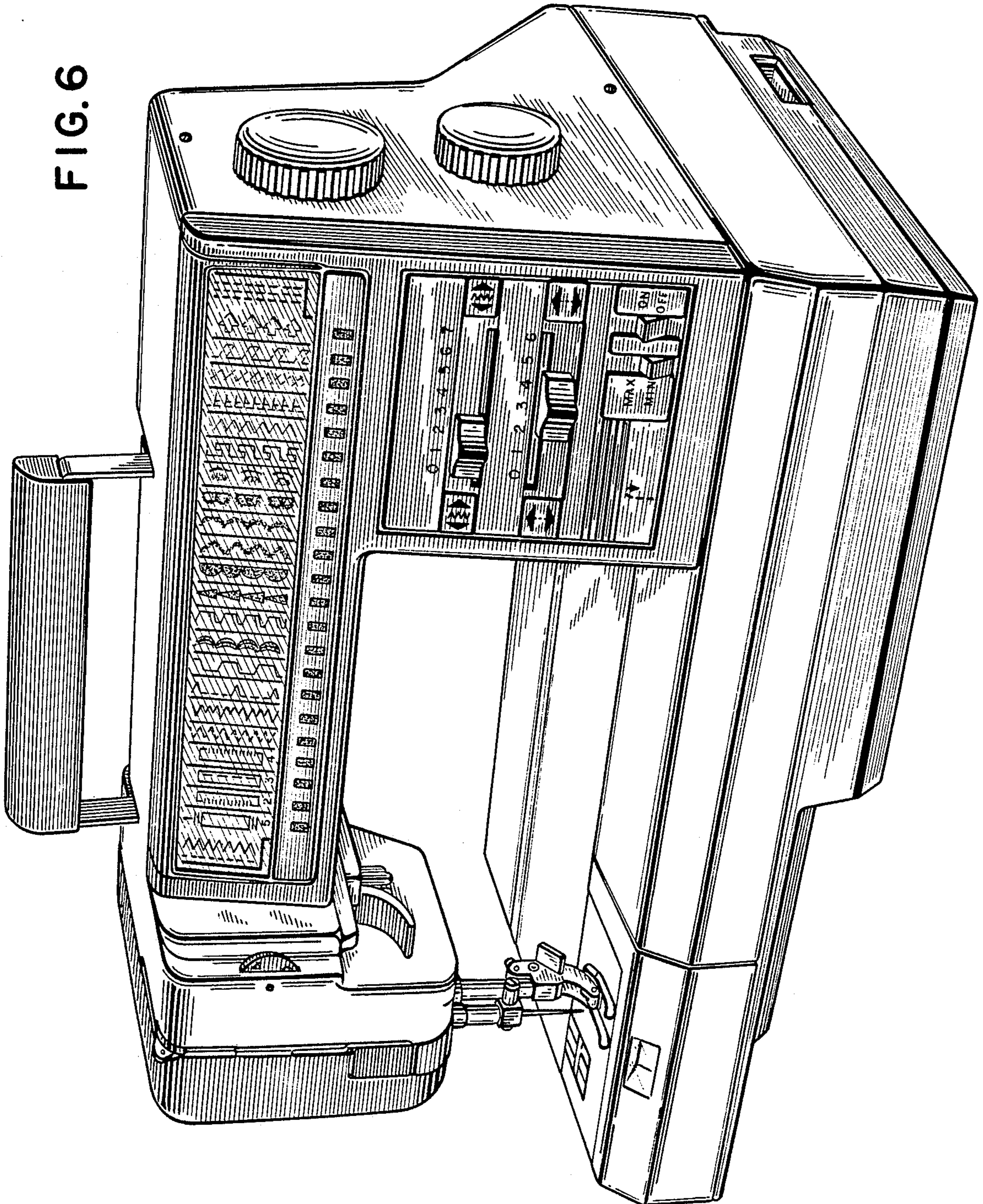


FIG. 7

