

[54] PUMP

[75] Inventor: Fred T. Hazlehurst, Roselle Park, N.J.

[73] Assignee: Hayward Industries, Inc., Elizabeth, N.J.

[**] Term: 14 Years

[21] Appl. No.: 753,567

[22] Filed: Jul. 10, 1985

Related U.S. Application Data

[63] Continuation-in-part of Ser. No. 727,826, Apr. 26, 1985, abandoned.

[52] U.S. Cl. D15/7

[58] Field of Search D15/7, 9; 415/120, 121.6

References Cited

U.S. PATENT DOCUMENTS

- D. 137,612 4/1944 Flanagan et al. D15/7
- D. 162,502 3/1951 Zimmer, Jr. D15/7
- D. 199,003 8/1964 Ekey D15/7

OTHER PUBLICATIONS

Hayward Pool Products brochure "Max-Flow" Pump (p. 2)—Admitted prior art exhibit C.

Hayward Pool Products brochures "Super Pump" (p. 2)—Admitted prior art exhibit D.

Primary Examiner—Wallace R. Burke

Assistant Examiner—Brian N. Vinson

Attorney, Agent, or Firm—Lerner, David, Littenberg, Krumholz & Mentlik

[57] CLAIM

The ornamental design for a pump, as shown.

DESCRIPTION

FIG. 1 is a front elevational view of a pump showing my new design;

FIG. 2 is a rear elevational view thereof;

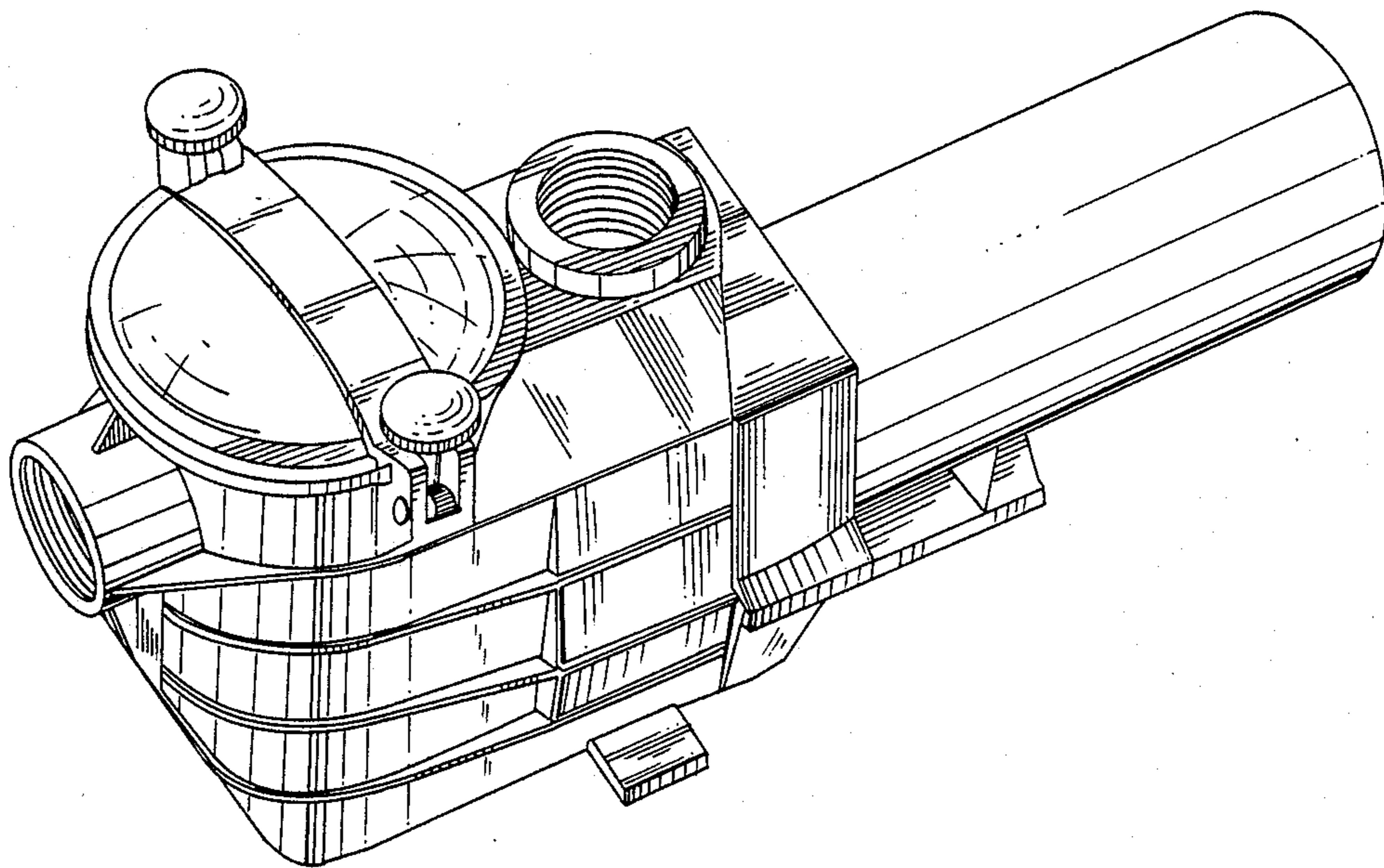
FIG. 3 is a left side elevational view thereof;

FIG. 4 is a right side elevation view thereof;

FIG. 5 is a top plan view thereof;

FIG. 6 is a bottom plan view thereof; and

FIG. 7 is a top, front and right side perspective view thereof.



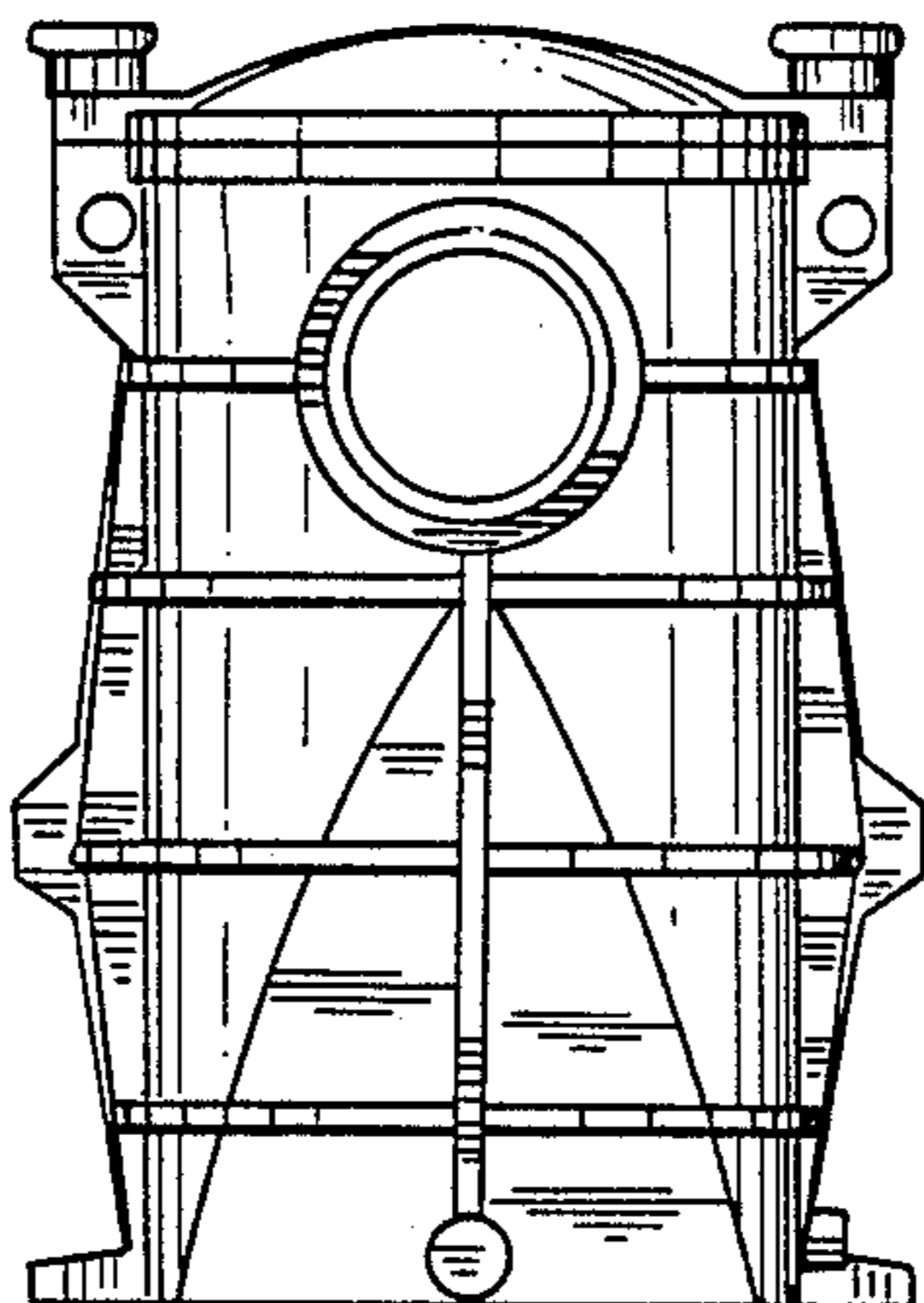


FIG. 1

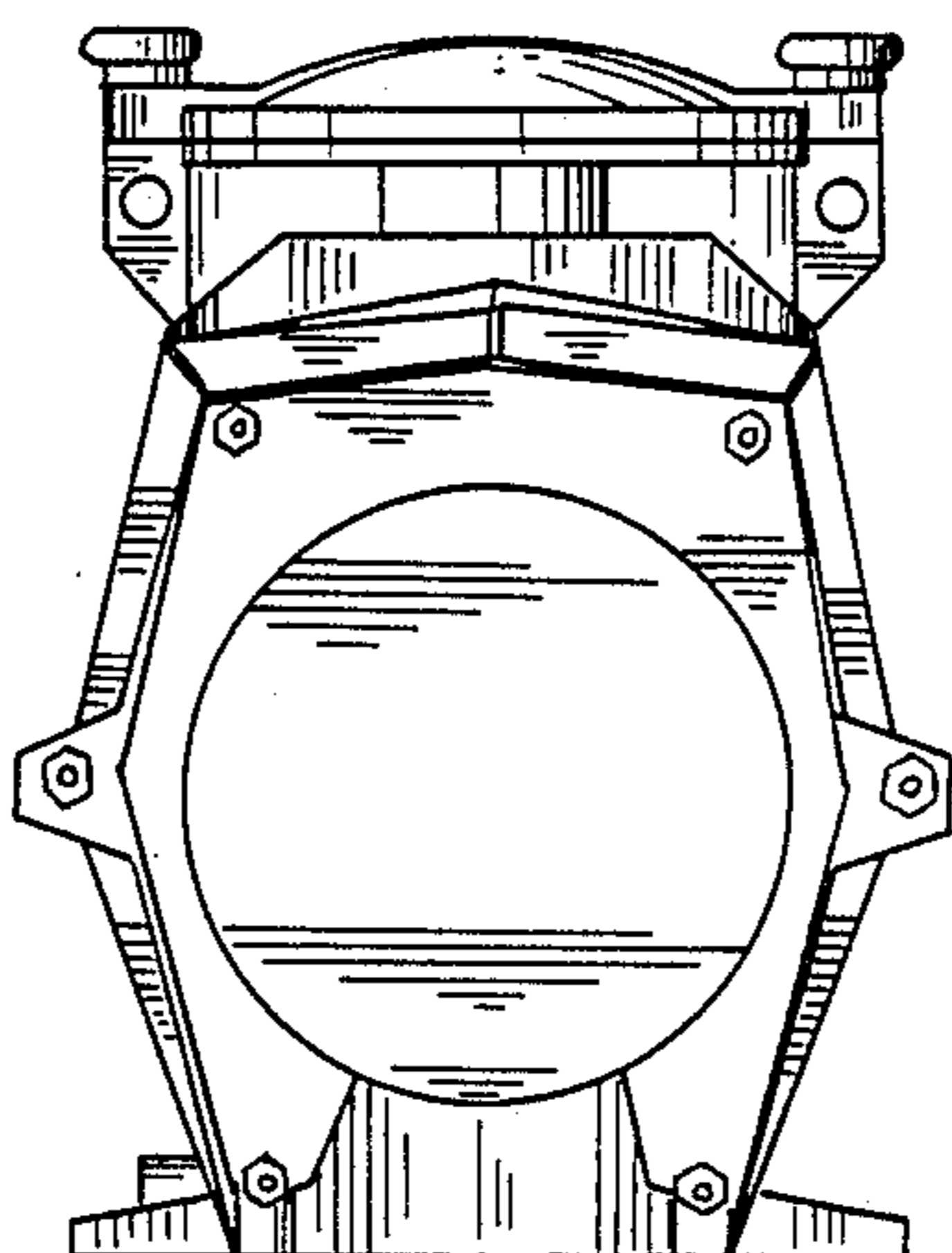


FIG. 2

FIG. 3

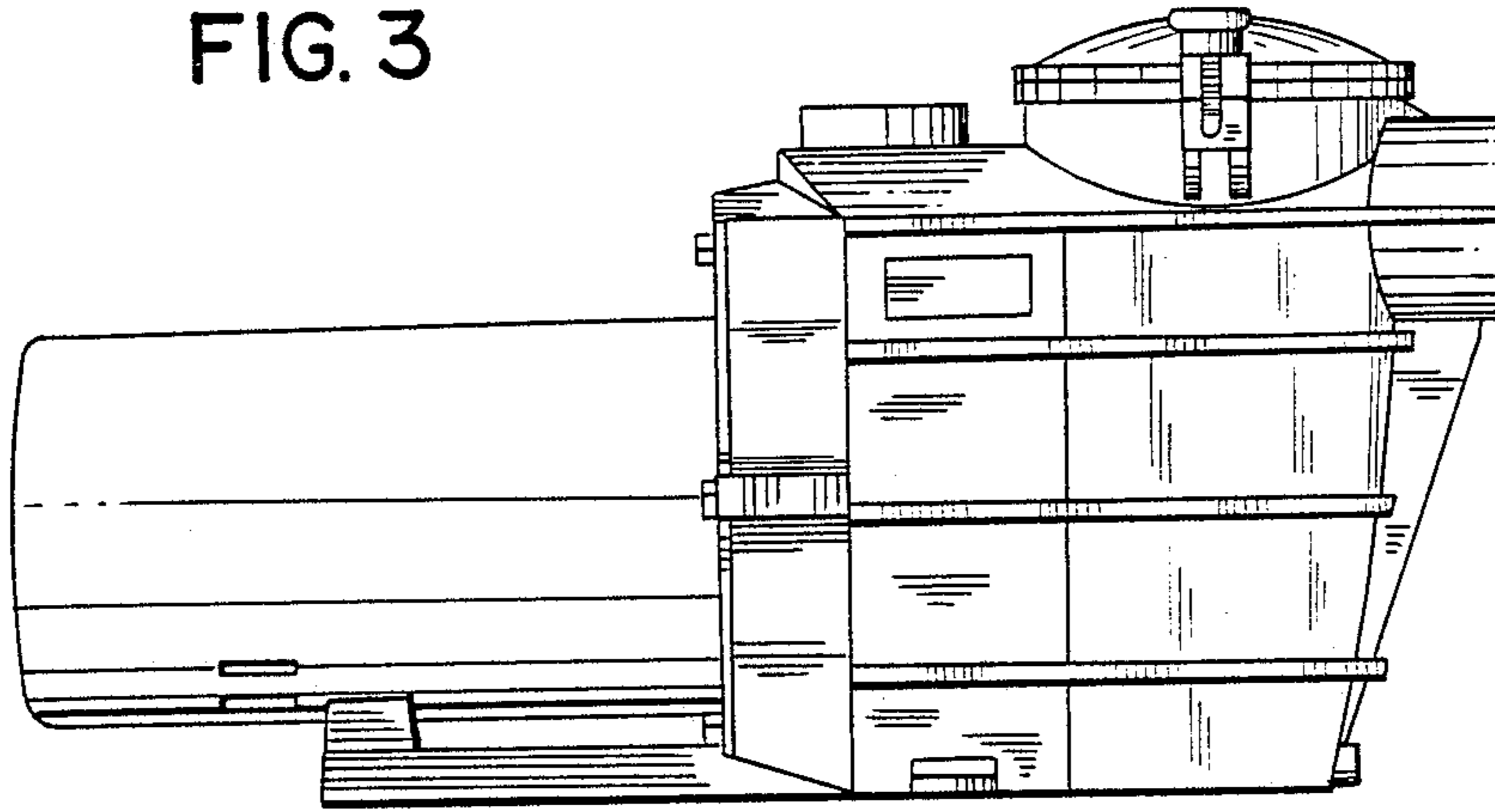
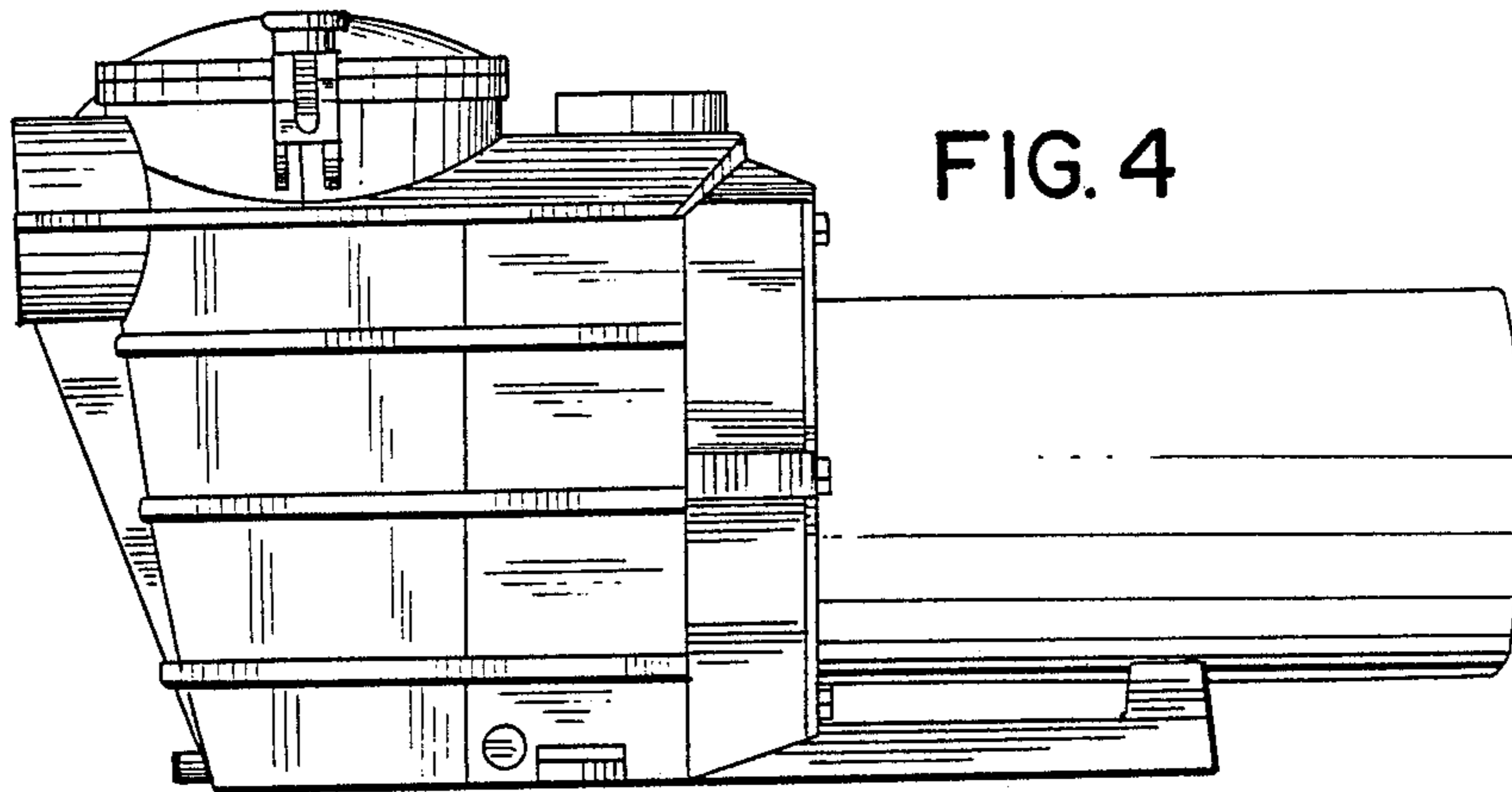


FIG. 4



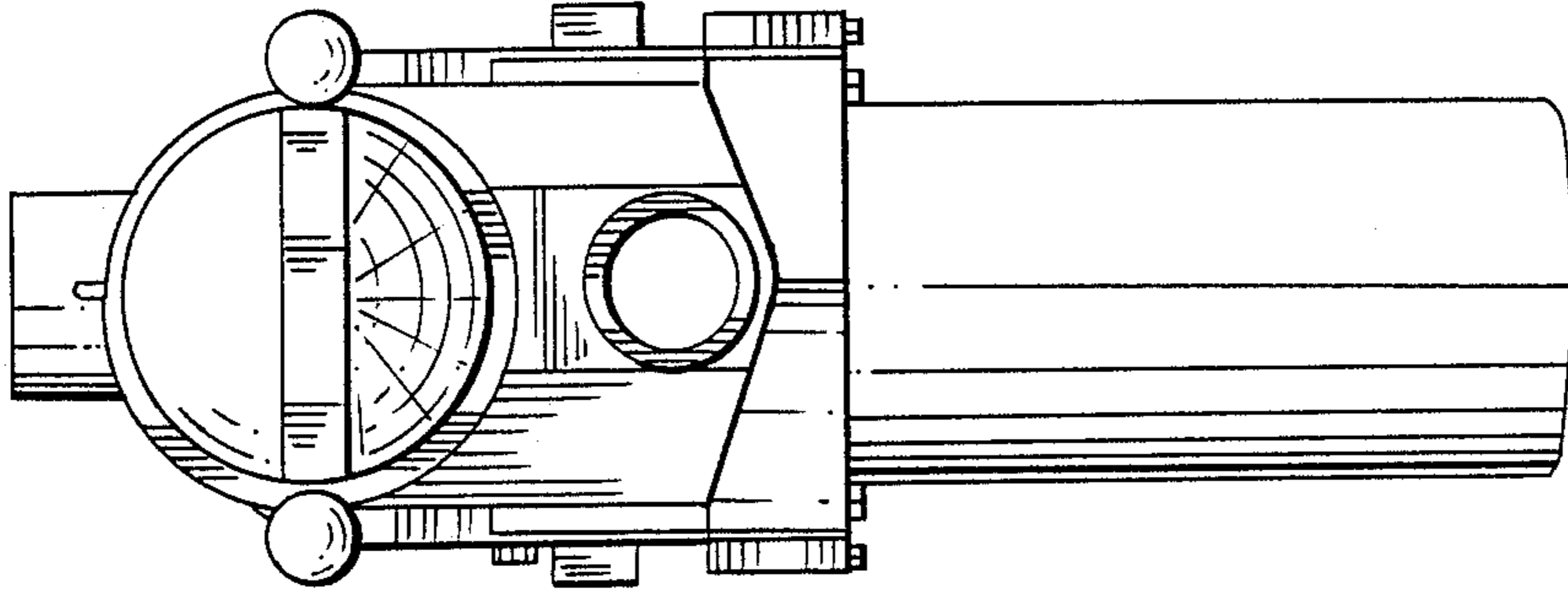


FIG. 5

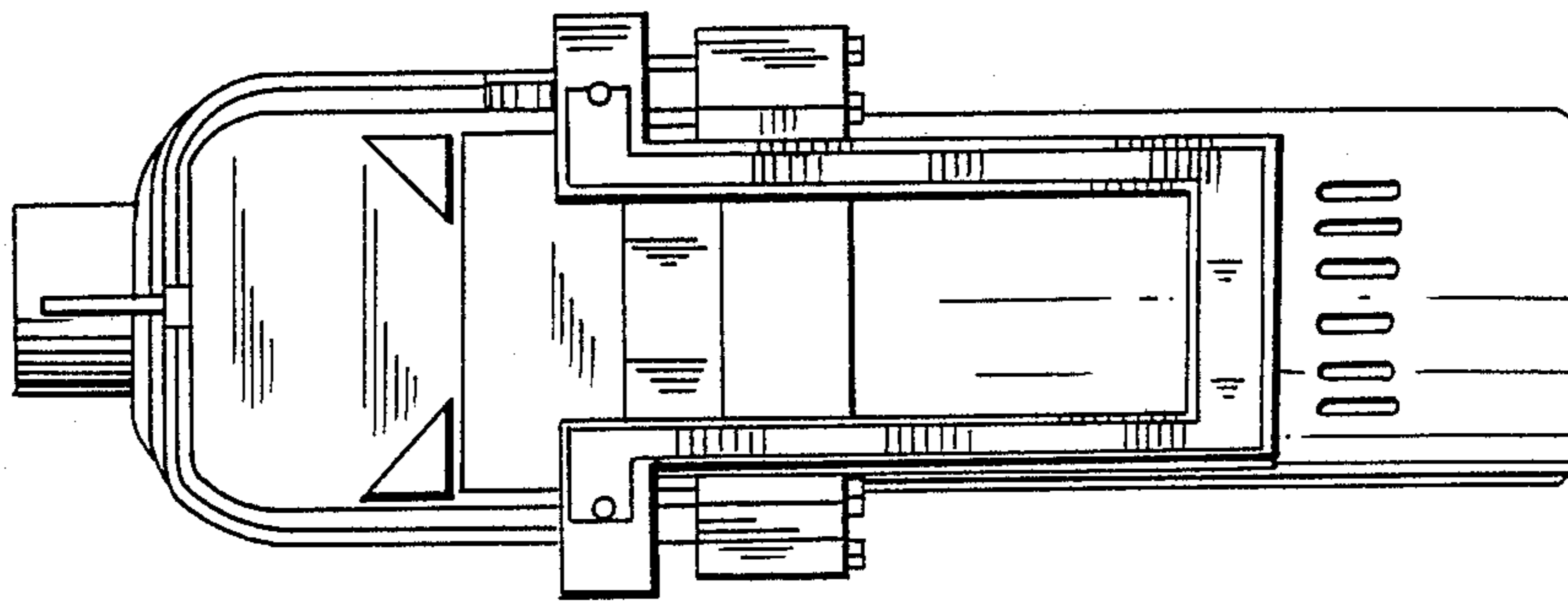


FIG. 6

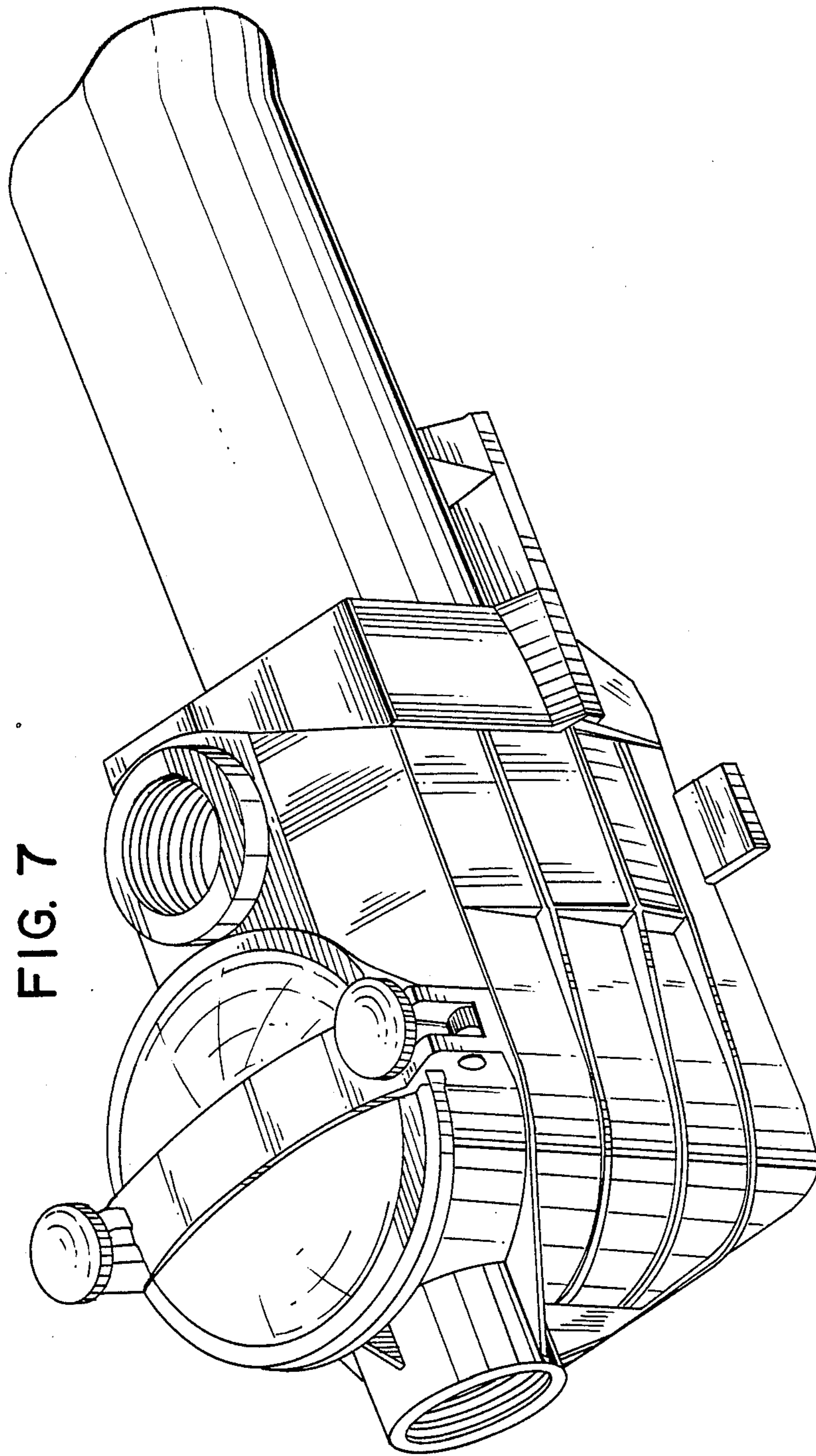


FIG. 7