

[54] **CURSOR CONTROL FOR COMPUTER DISPLAY**

[76] **Inventor: William M. Louis, 543 Cerro St., Encinitas, Calif. 92024**

[**] **Term: 14 Years**

[21] **Appl. No.: 821,961**

[22] **Filed: Jan. 24, 1986**
[52] **U.S. Cl. D14/114**
[58] **Field of Search D14/100, 106, 107, 114; 340/365 R, 700, 706, 709, 710; 178/18; 74/471 XY; 200/5 R, 5 A, 6 R, 6 A; 273/148 B; D21/48; D13/12, 32, 38**

[56] **References Cited**
U.S. PATENT DOCUMENTS

D. 292,927 11/1987 Burnstein et al. D14/114
4,580,006 4/1986 Hull 178/18
4,654,647 3/1987 Wedam 340/709

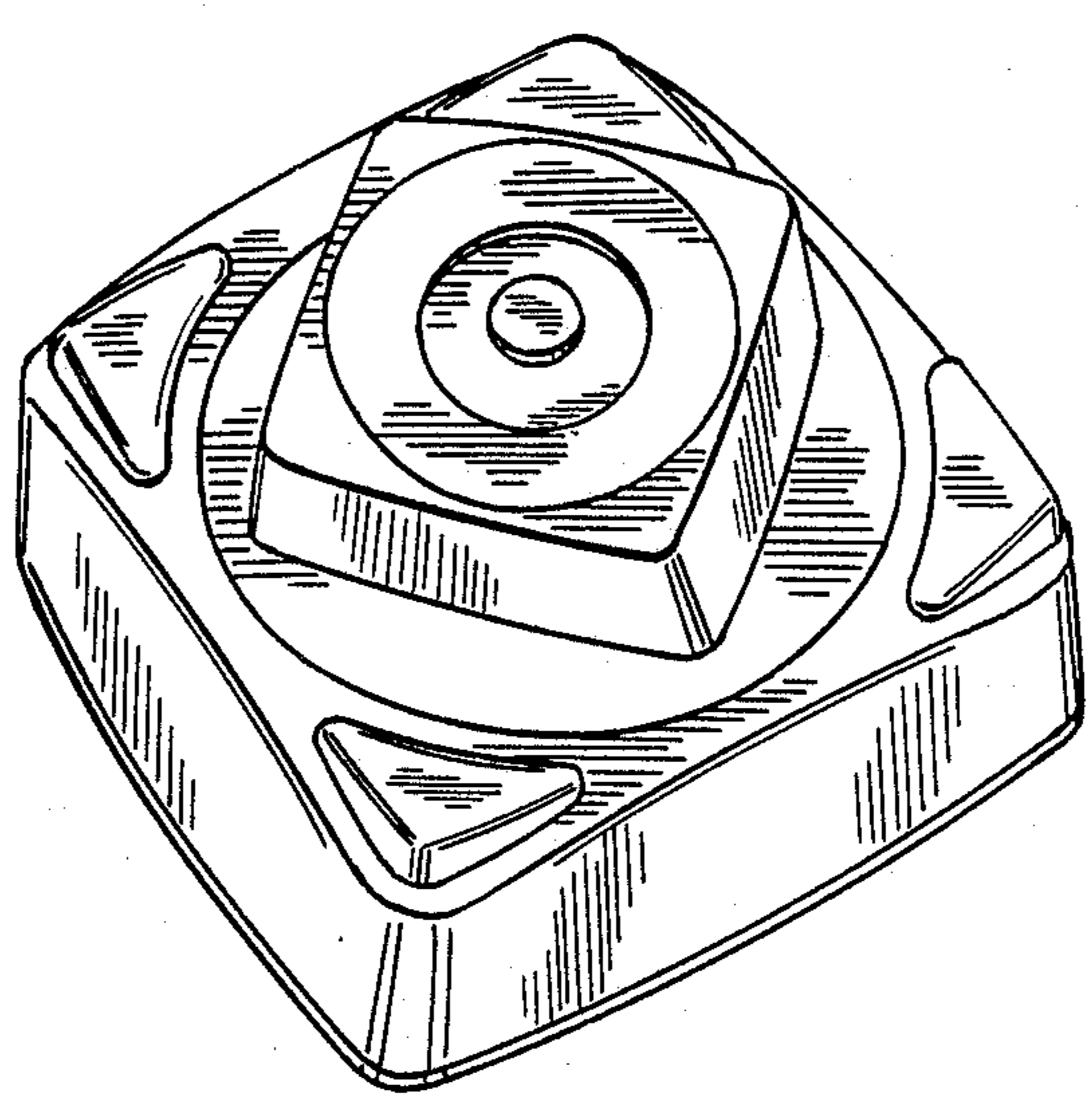
Primary Examiner—Susan J. Lucas
Attorney, Agent, or Firm—Brown, Martin, Haller & Meador

[57] **CLAIM**

The ornamental design for a cursor control for computer display, as shown and described.

DESCRIPTION

FIG. 1 is a perspective view of the cursor control for a computer display showing my new design; FIG. 2 is a top plan view thereof; FIG. 3 is a bottom plan view thereof; and FIG. 4 is a side elevational view thereof; all sides being identical.



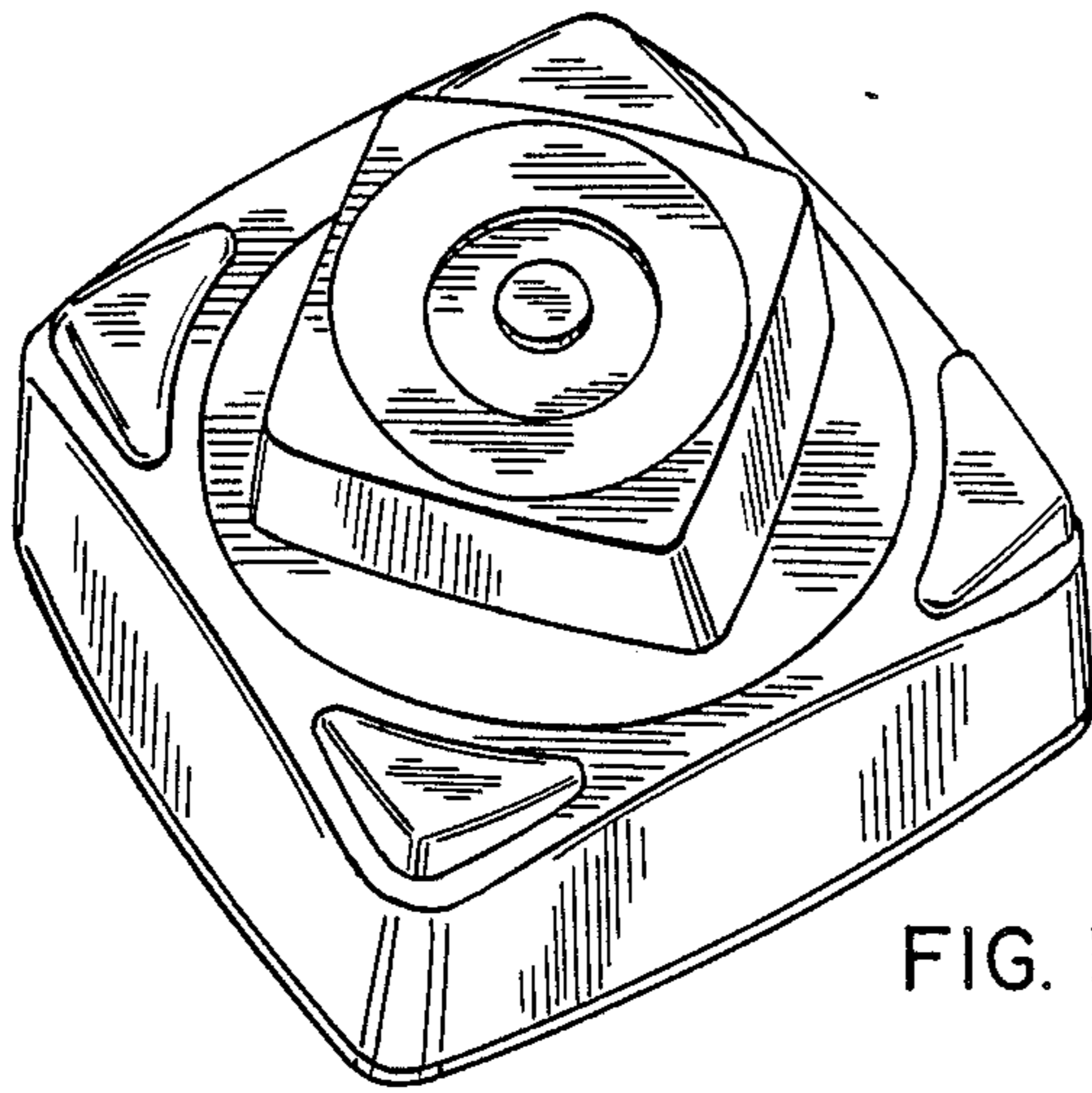


FIG. 1

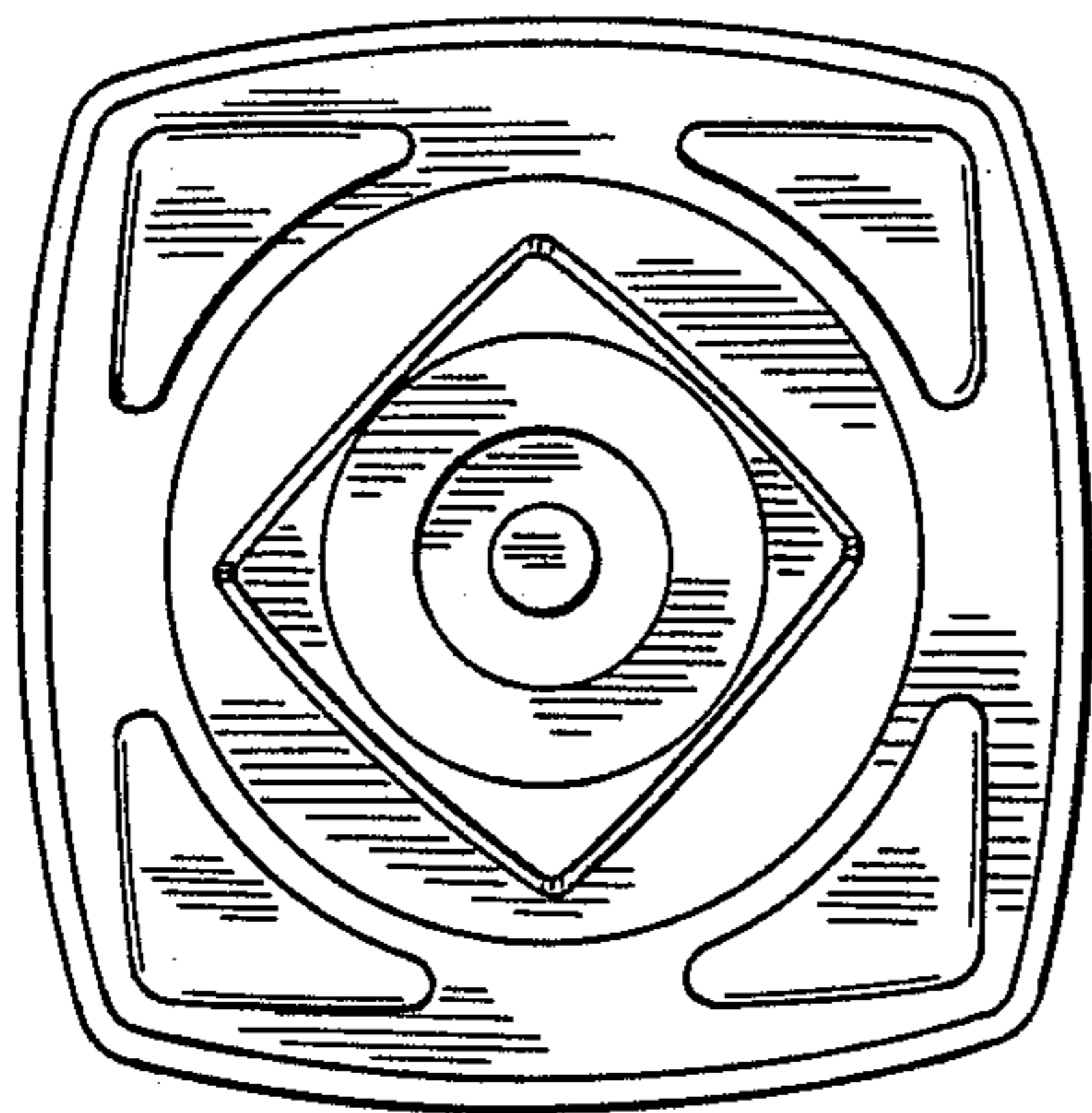


FIG. 2

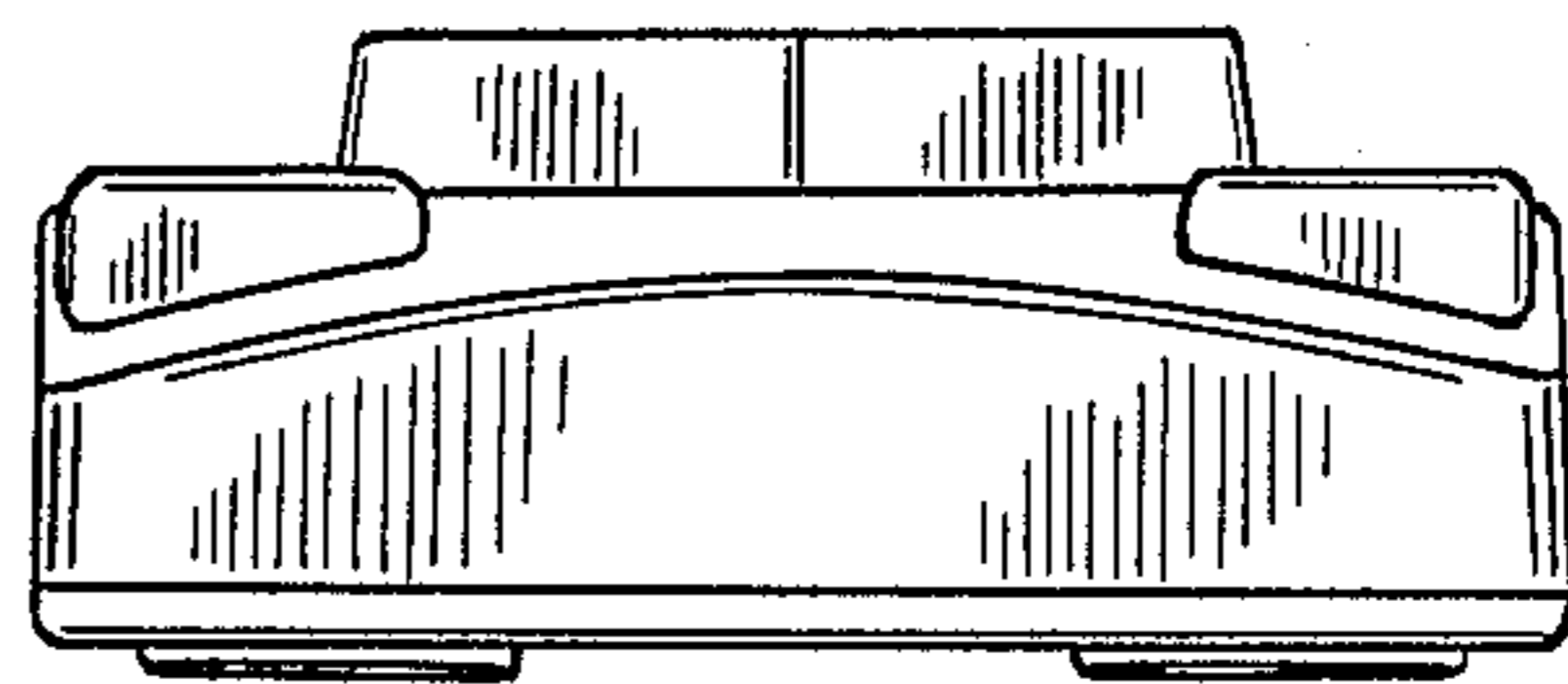


FIG. 4

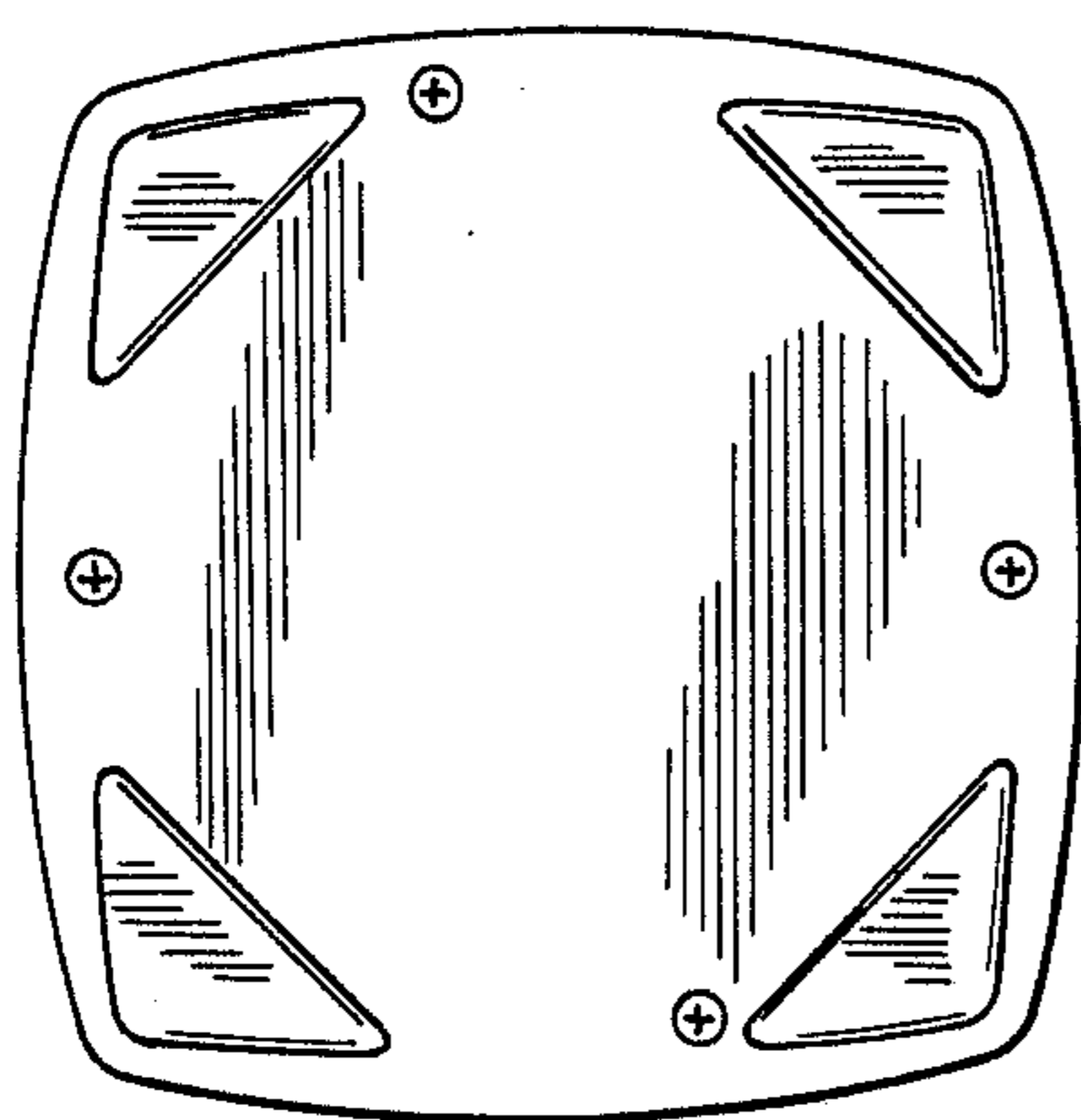


FIG. 3