

[54] **CURSOR CONTROL FOR COMPUTER DISPLAY**

[75] Inventor: Fumio Nakamura, Tokyo, Japan

[73] Assignee: Hal Laboratory, Inc., Tokyo, Japan

[**] Term: 14 Years

[21] Appl. No.: 803,989

[22] Filed: Nov. 8, 1985

[30] Foreign Application Priority Data

May 24, 1985 [JP] Japan 60-21379

[52] U.S. Cl. D14/114

[58] Field of Search D14/100, 106, 107, 114, D14/115; 340/365 R, 700, 706, 709, 710, 711; 74/471 XY; 178/18; 200/5 R, 5 A, 6 R, 6 A; 273/148 B; D21/48; D13/12, 32, 38

[56] References Cited

U.S. PATENT DOCUMENTS

D. 291,318 8/1987 Kim D14/114

4,469,330 9/1984 Asher 340/365 R X

4,488,017 12/1984 Lee 200/6 A X

4,538,476 9/1985 Luque 273/148 B X

Primary Examiner—Susan J. Lucas
 Attorney, Agent, or Firm—Flynn, Thiel, Boutell & Tanis

[57] CLAIM

The ornamental design for a cursor control for computer display, as shown and described.

DESCRIPTION

FIG. 1 is a top, front perspective view of a cursor control for computer display showing my new design; FIG. 2 is a top plan view thereof on a reduced scale; FIG. 3 is a front elevational view thereof on a reduced scale; FIG. 4 is a bottom plan view thereof on a reduced scale; FIG. 5 is a rear elevational view thereof on a reduced scale; FIG. 6 is a right hand side elevational view thereof on a reduced scale; FIG. 7 is a left hand side elevational view thereof on a reduced scale; FIG. 8 is a top, front perspective view thereof on a greatly reduced scale, the display and computer being shown in broken lines for illustrative purposes only.

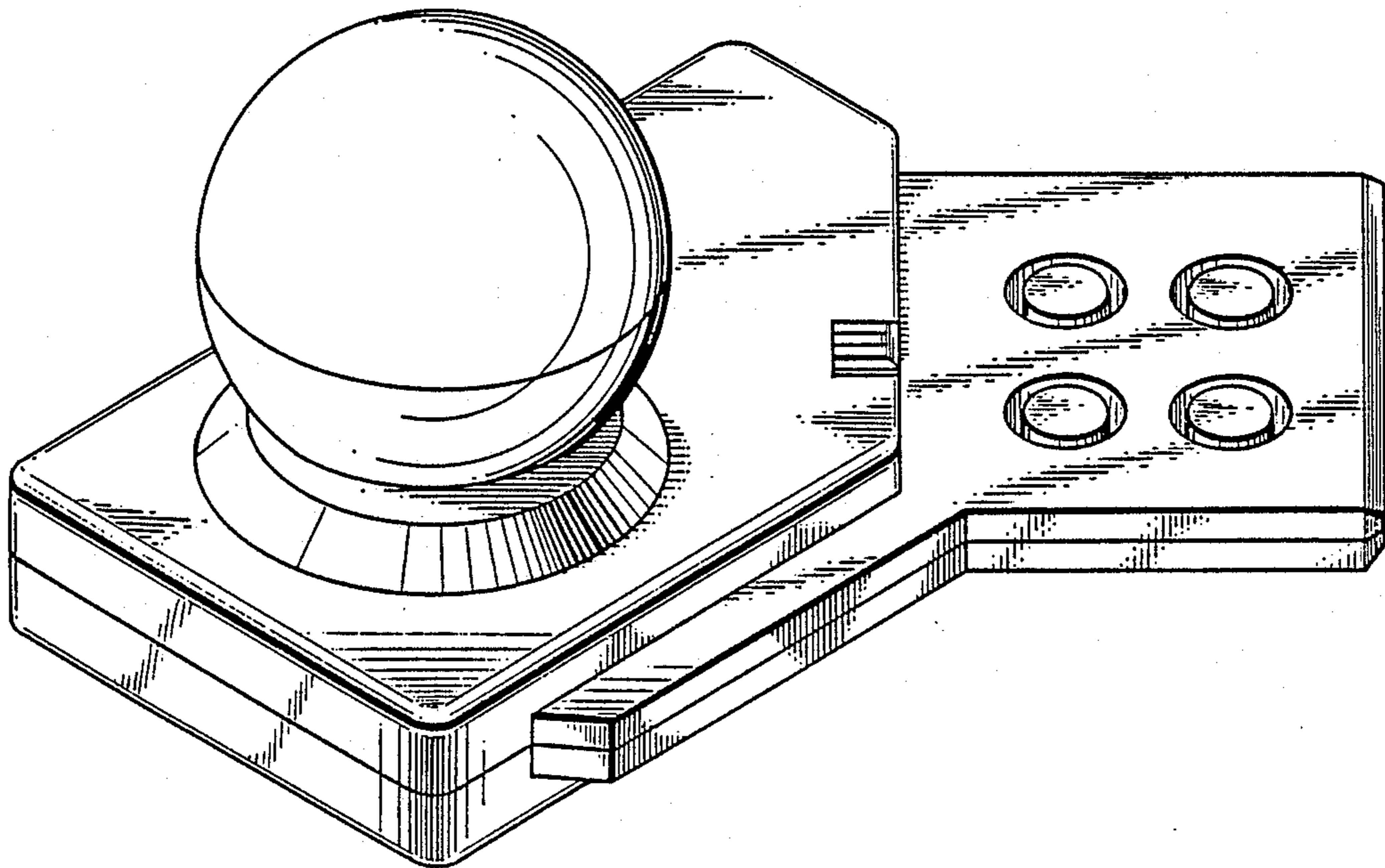


FIG. 1

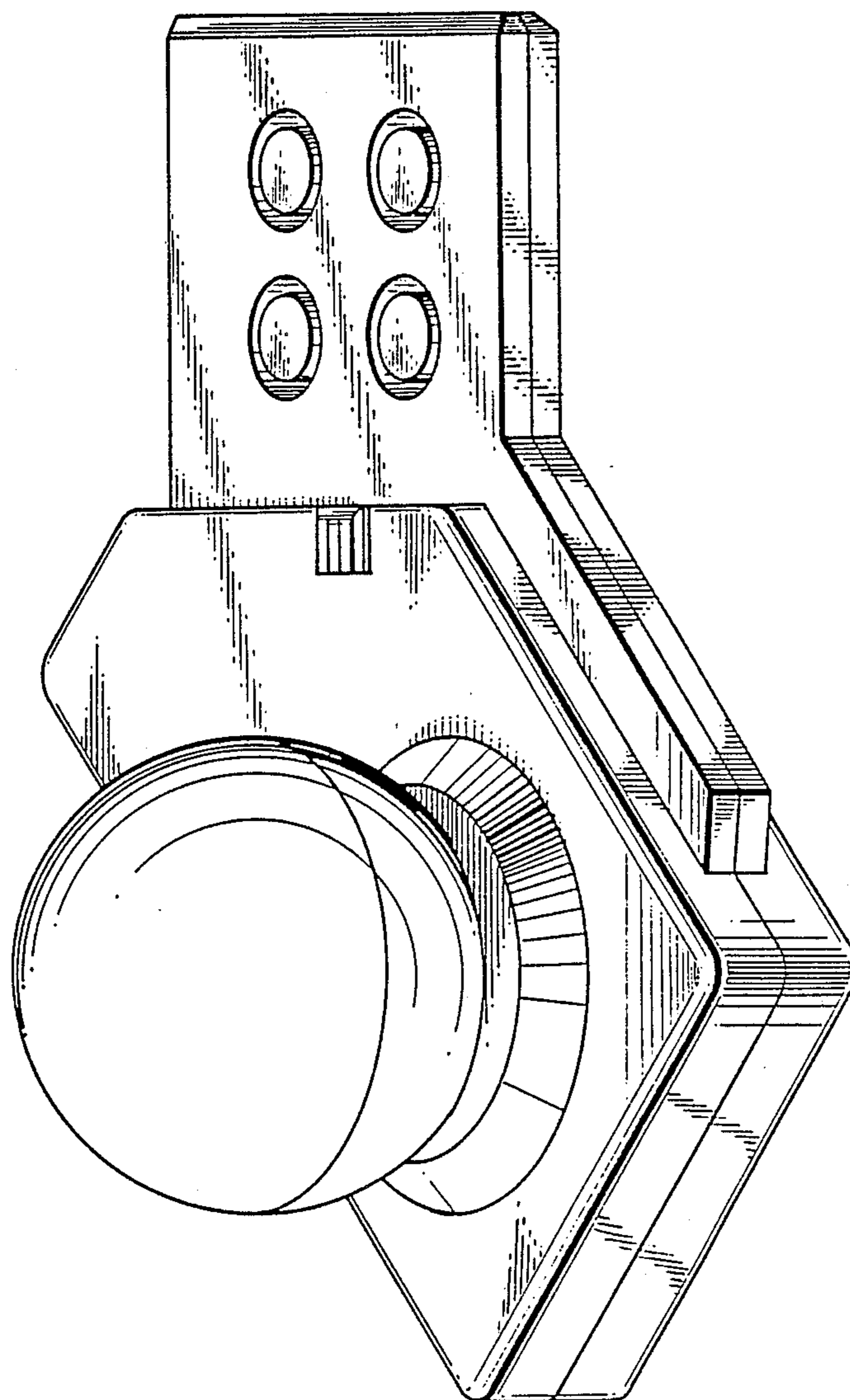


FIG. 2

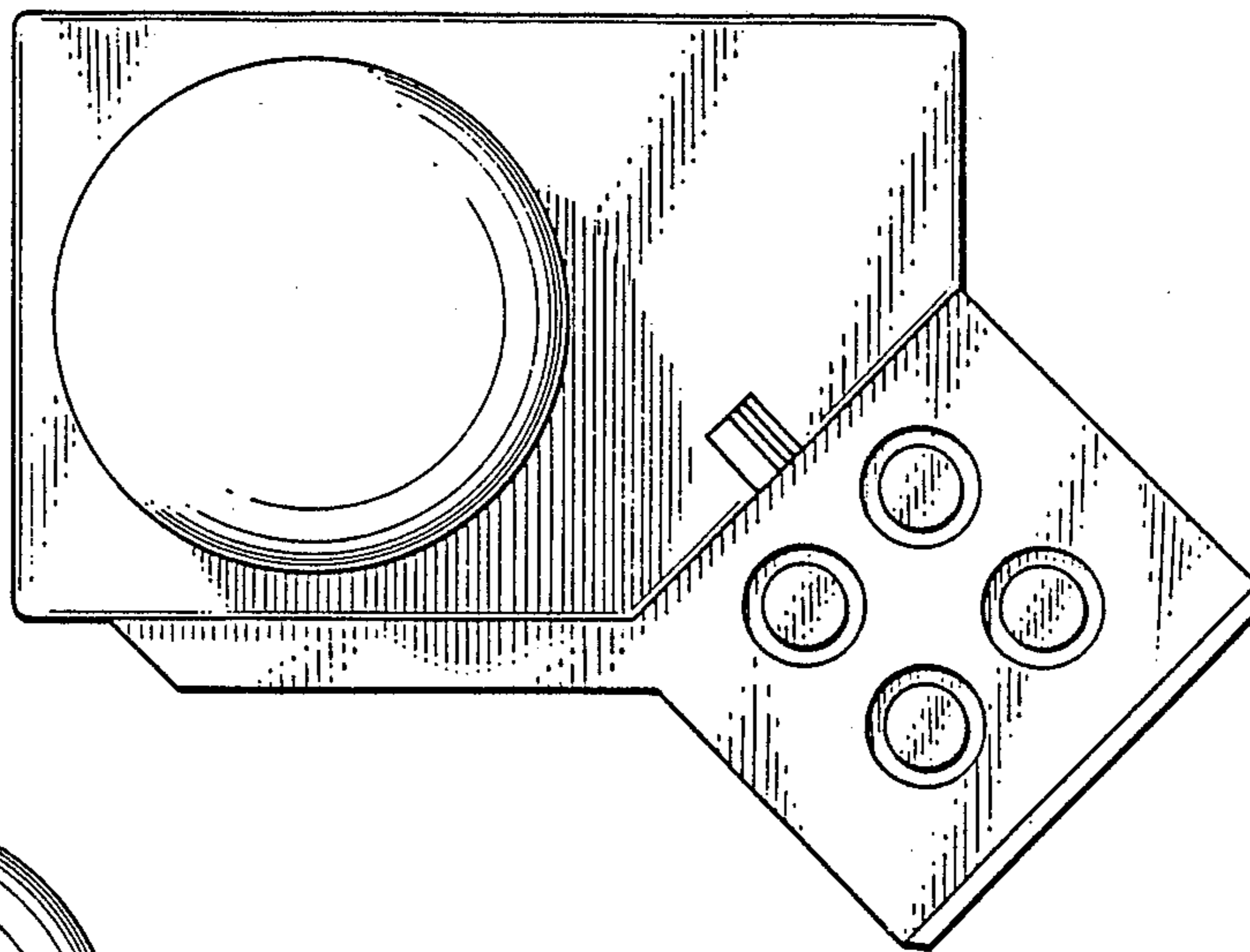


FIG. 3

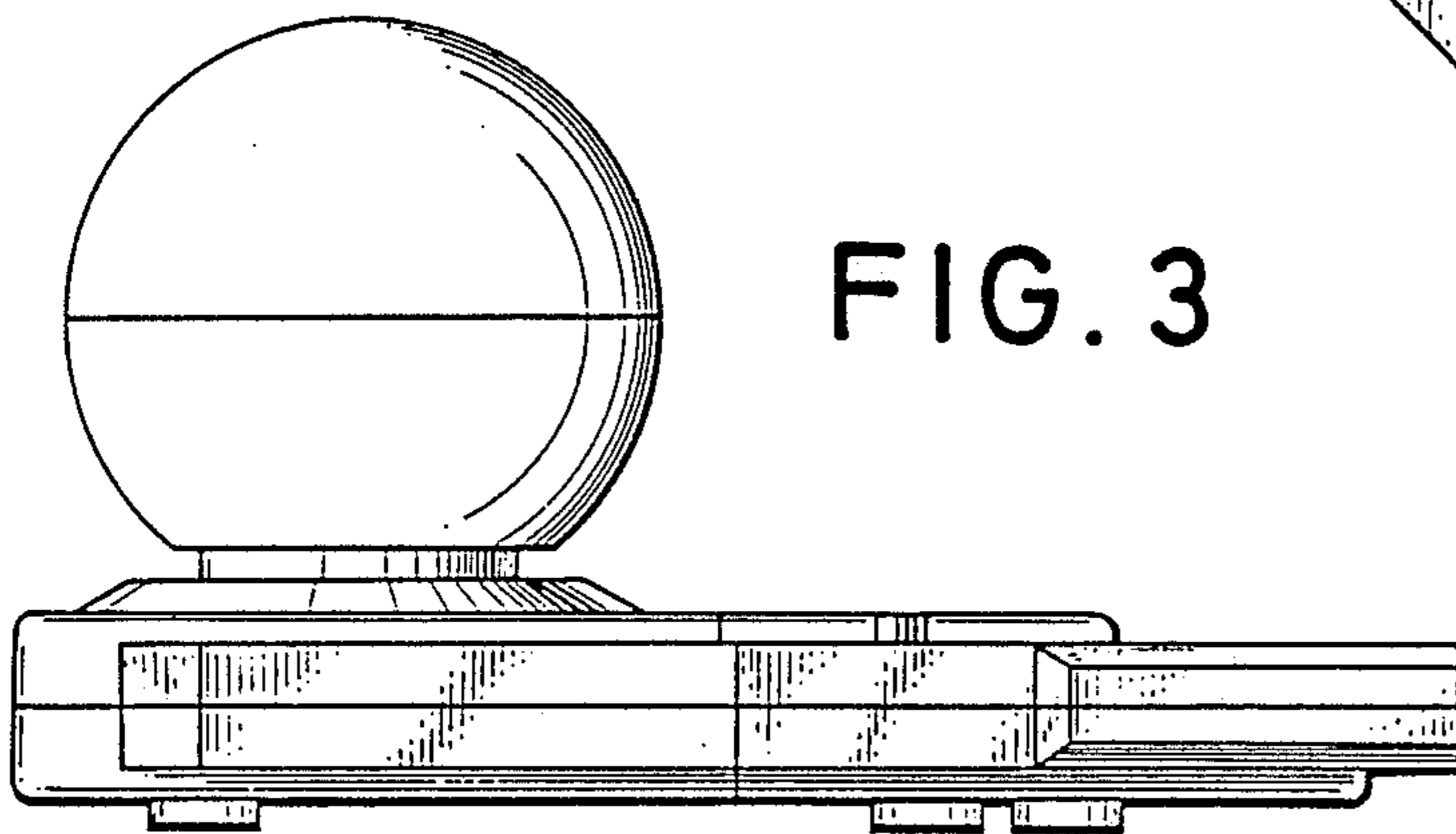


FIG. 4

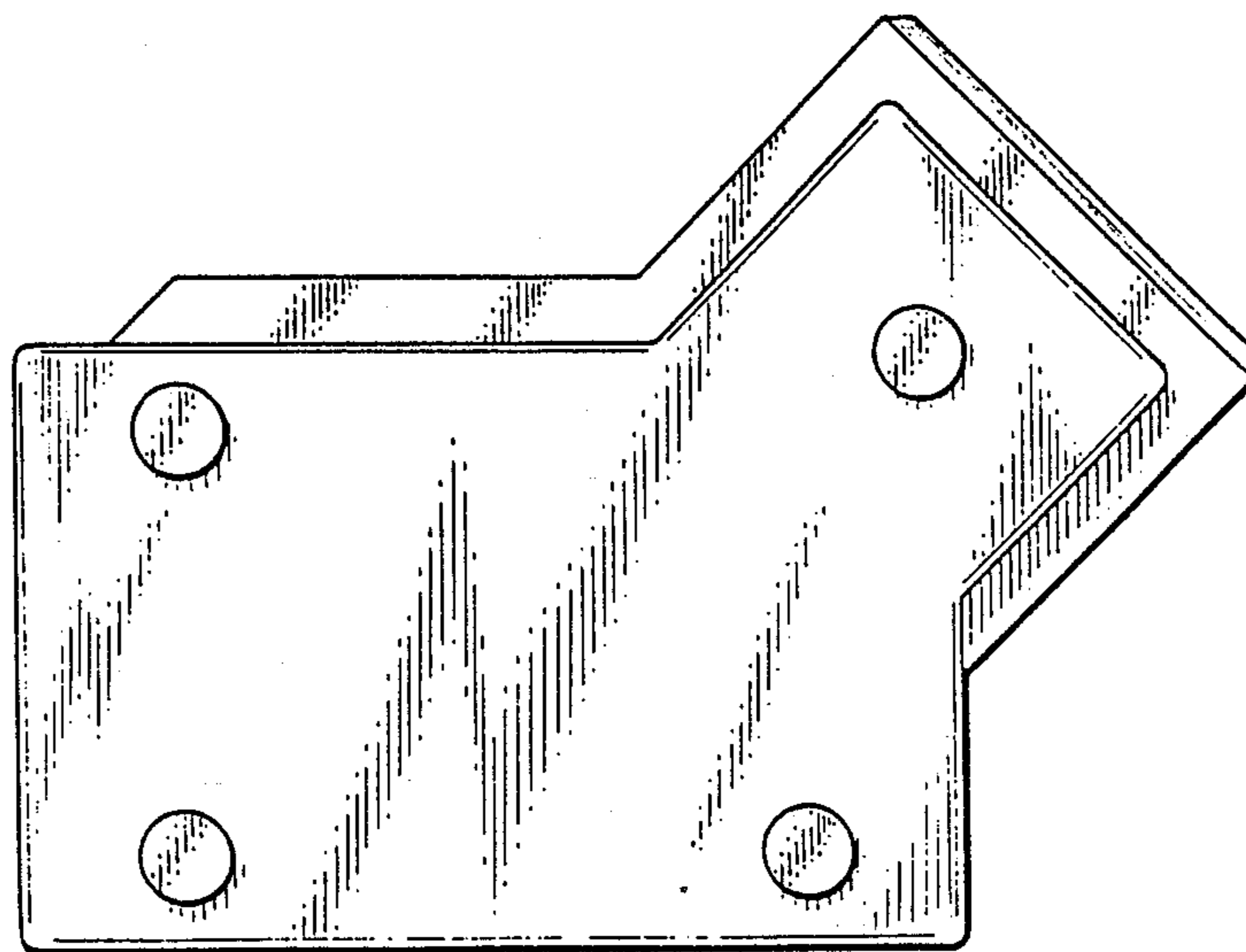


FIG. 5

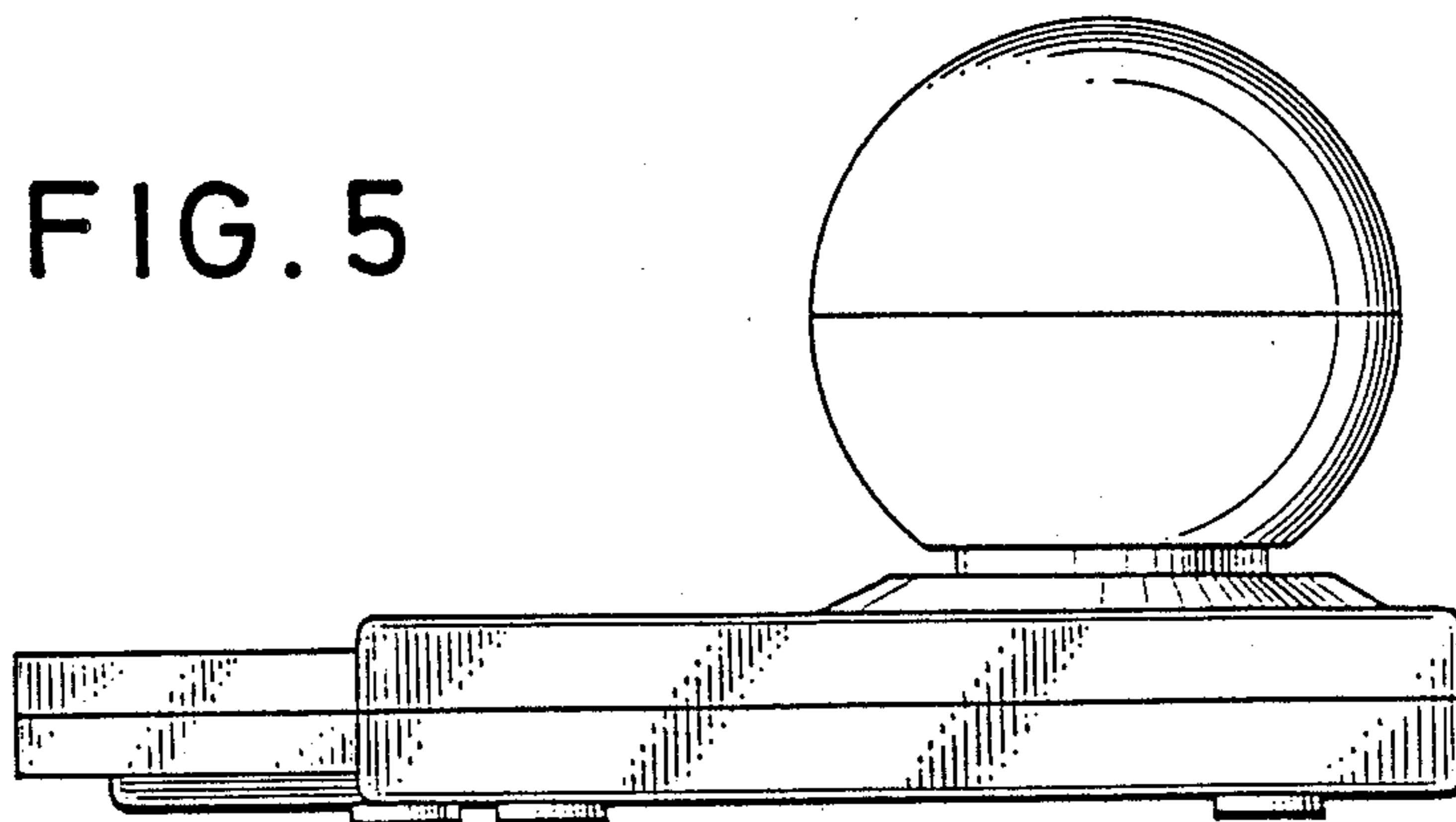


FIG. 6

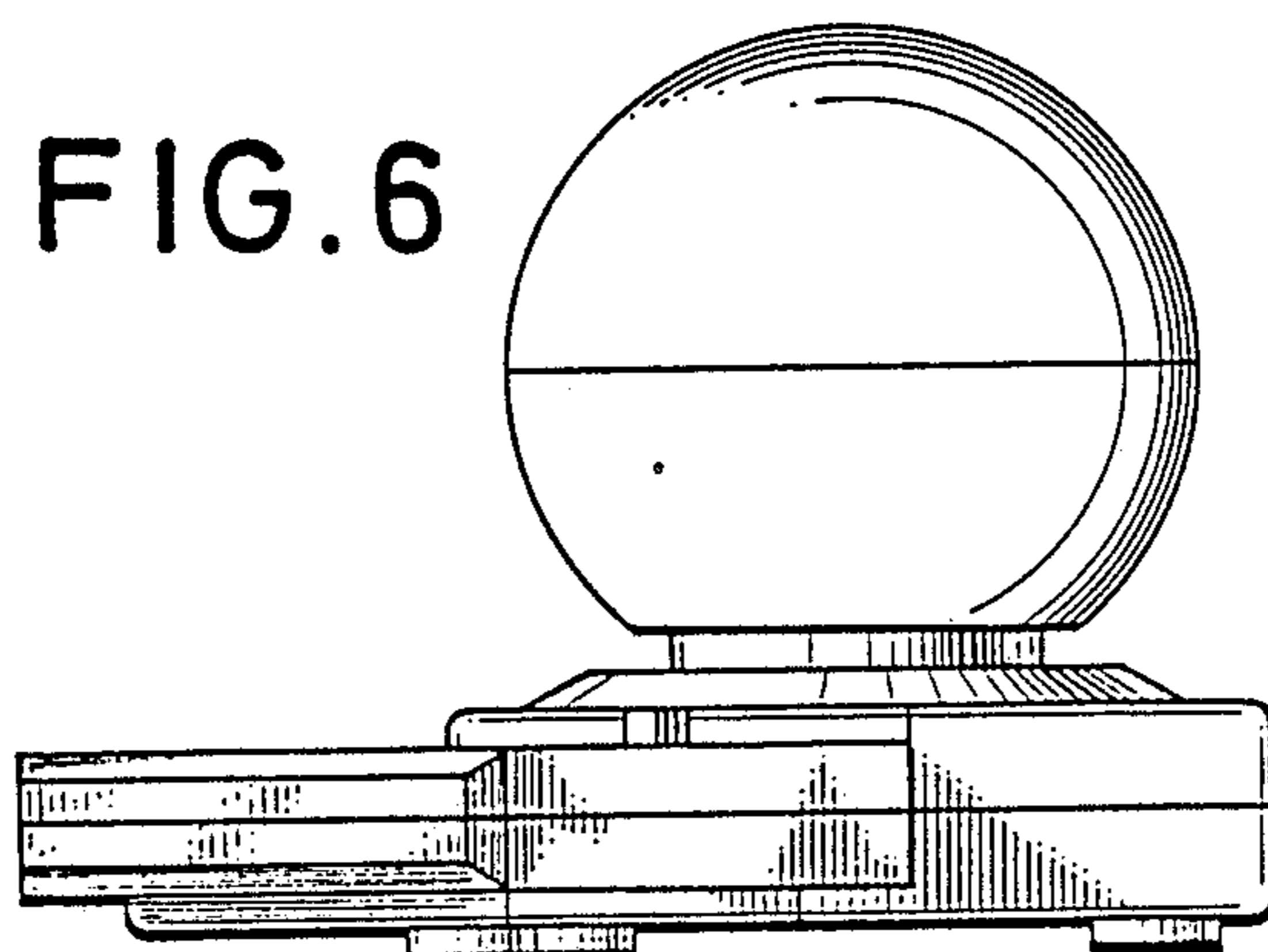


FIG. 7

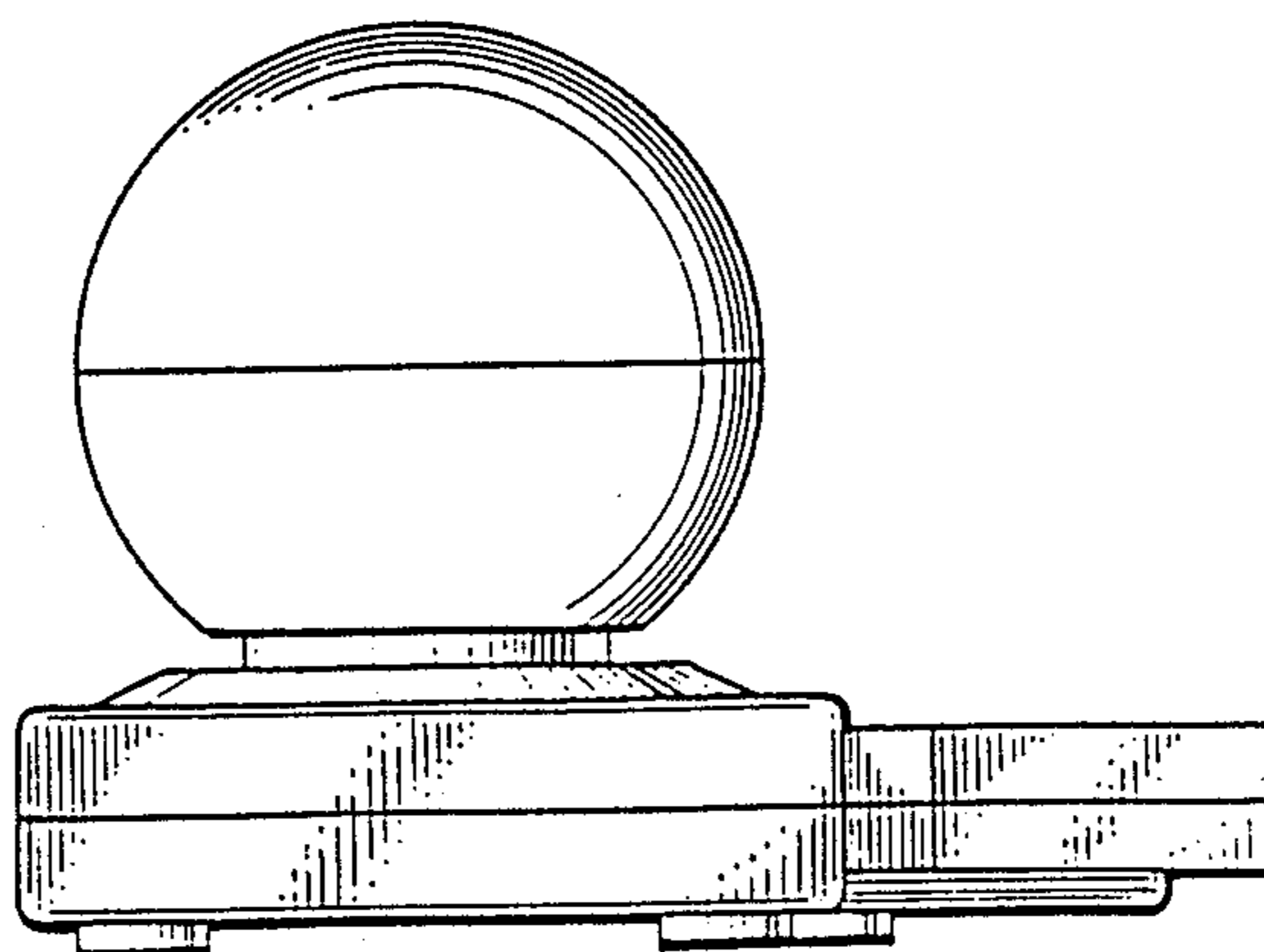


FIG. 8

