

[54] SOUND ACTIVATED LIGHT SWITCH

[76] Inventor: Sidney A. Boguss, 22 Corey St., Melrose, Mass. 02176

[\*\*] Term: 14 Years

[21] Appl. No.: 805,066

[22] Filed: Nov. 13, 1985

[52] U.S. Cl. .... D13/32

[58] Field of Search ..... D13/32, 35, 37; 200/61.01, 238-239, 293, 296-297, 303, 308, 333; 367/197-199; 220/3.2-3.3, 3.5; 174/53-54; 340/825.25, 825.72, 825.69, 641; 307/117; 362/802, 276; 361/170, 173, 182, 184; 455/351-353

[56] References Cited

U.S. PATENT DOCUMENTS

D. 282,827	3/1986	Hoogner	.....	D13/12
3,440,347	4/1969	Spencer et al.	.....	367/197
3,892,920	7/1975	Kolm	.....	367/135
4,081,840	3/1978	Kolm	.....	455/353
4,476,554	10/1984	Smith et al.	.....	307/117

OTHER PUBLICATIONS

Futronics advertisement showing a design for an acoustic switch cover and called "The Great American Turn-On".

Primary Examiner—Wallace R. Burke

Assistant Examiner—Ruth Takemoto

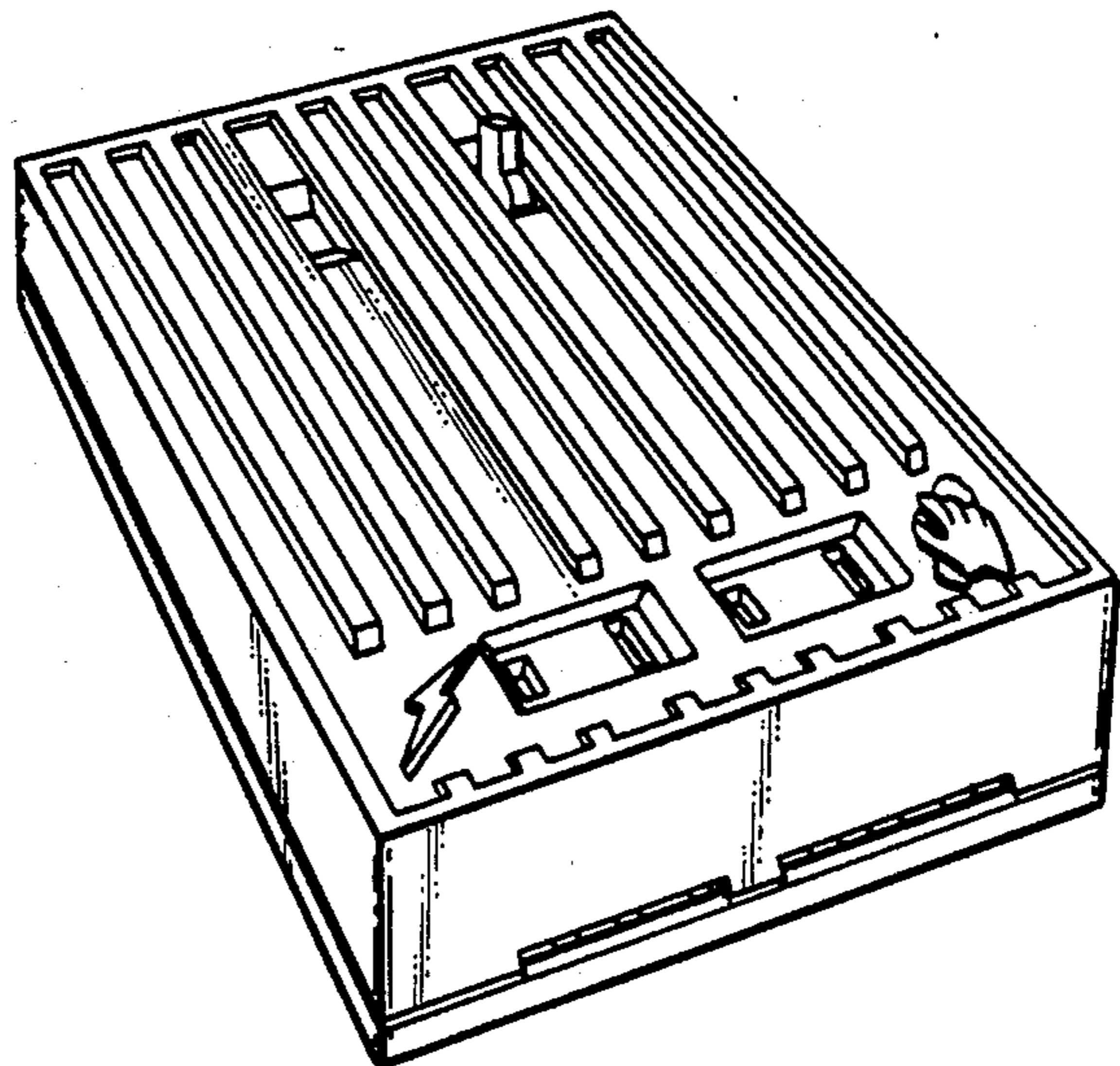
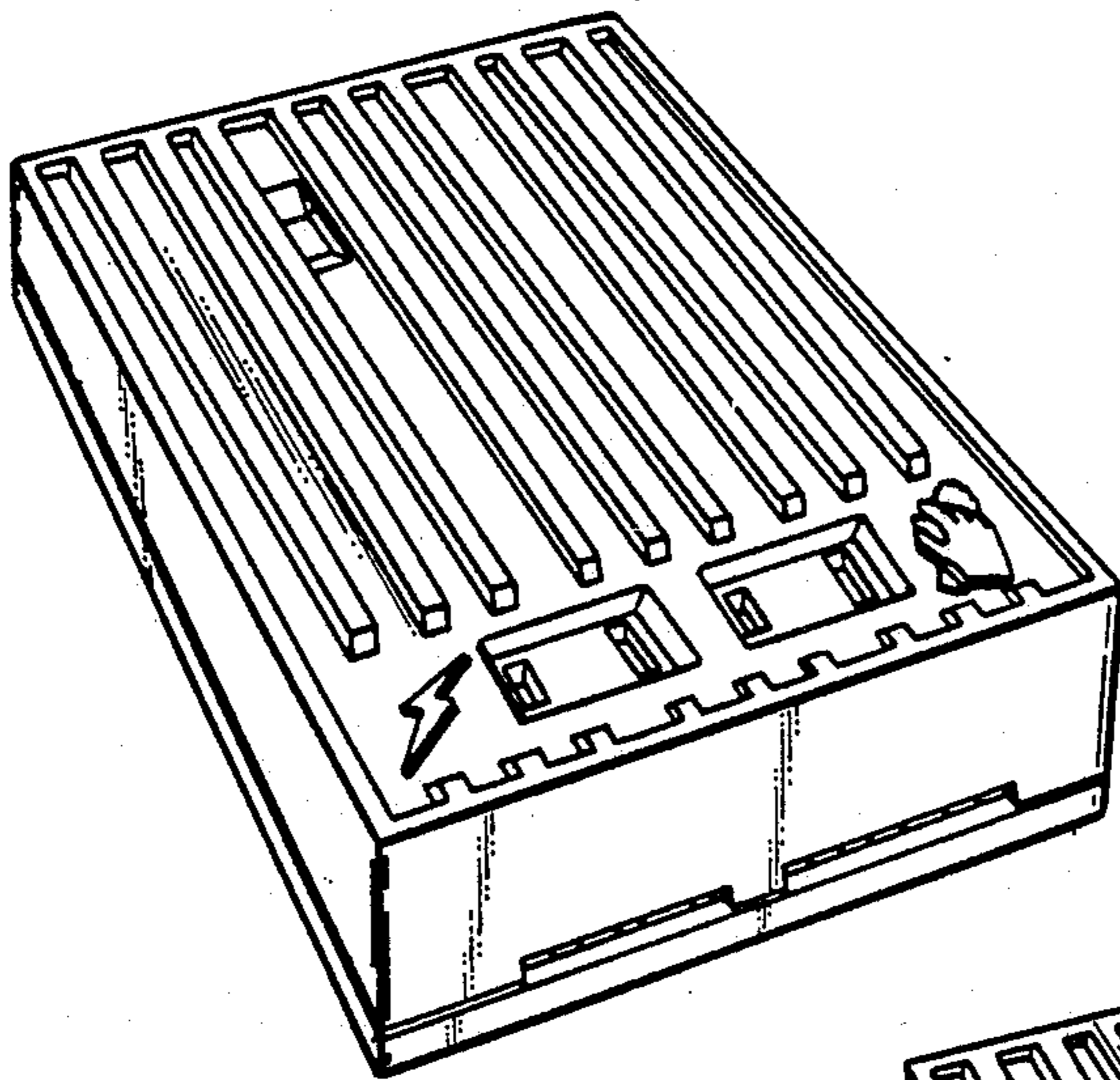
Attorney, Agent, or Firm—Townsend & Townsend

[57] CLAIM

The ornamental design for sound activated light switch, as shown and described.

DESCRIPTION

FIG. 1 is a top, front and left side perspective view of a sound activated light switch showing my new design; FIG. 2 is a top plan view thereof; FIG. 3 is a right side elevational view thereof; FIG. 4 is a bottom plan view thereof; FIG. 5 is a left side elevational view thereof; FIG. 6 is a rear elevational view thereof; and FIG. 7 is a top, front and left side perspective view of a second embodiment wherein the only difference resides in the inclusion of the toggle switch.



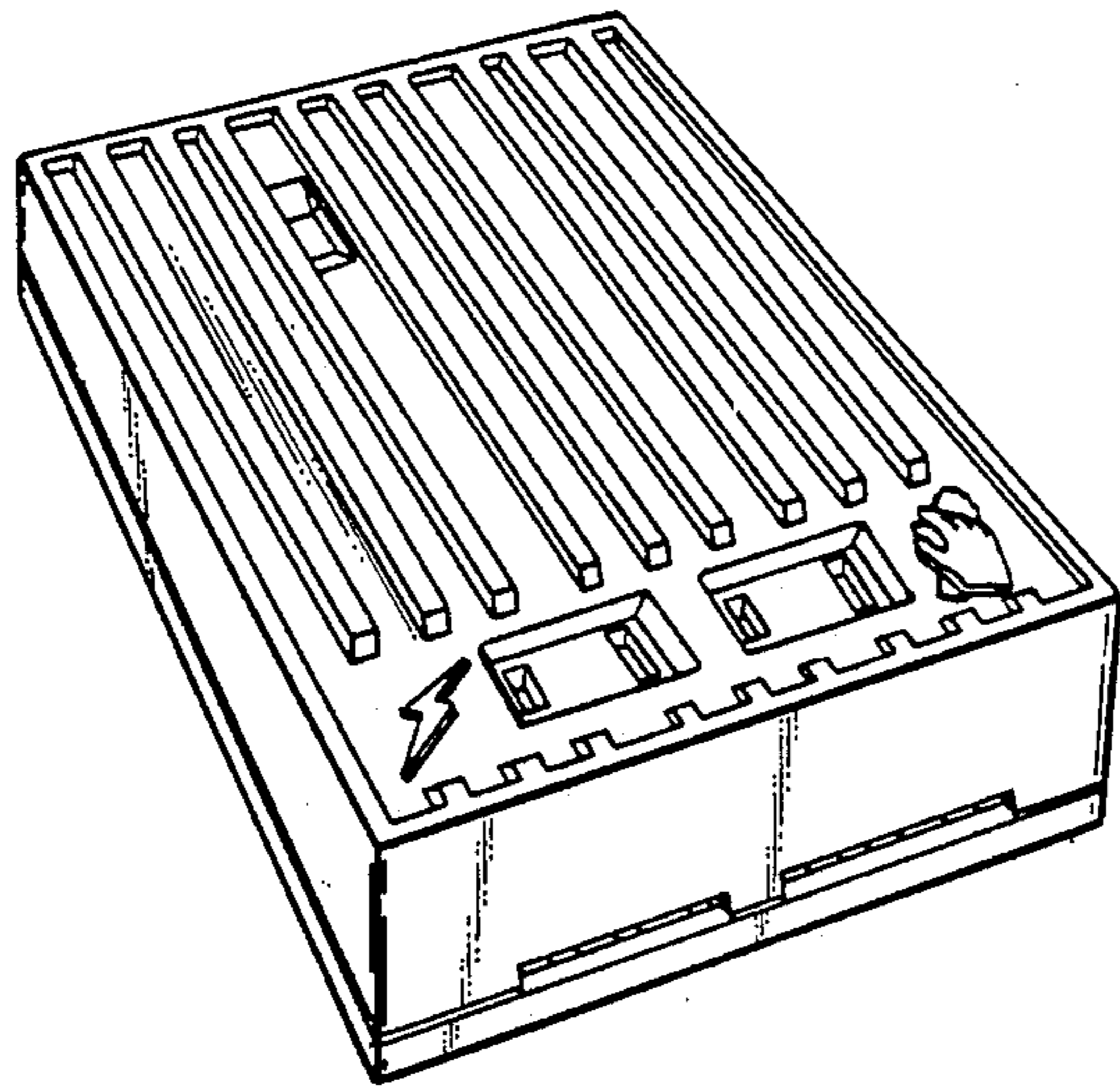


FIG.—1

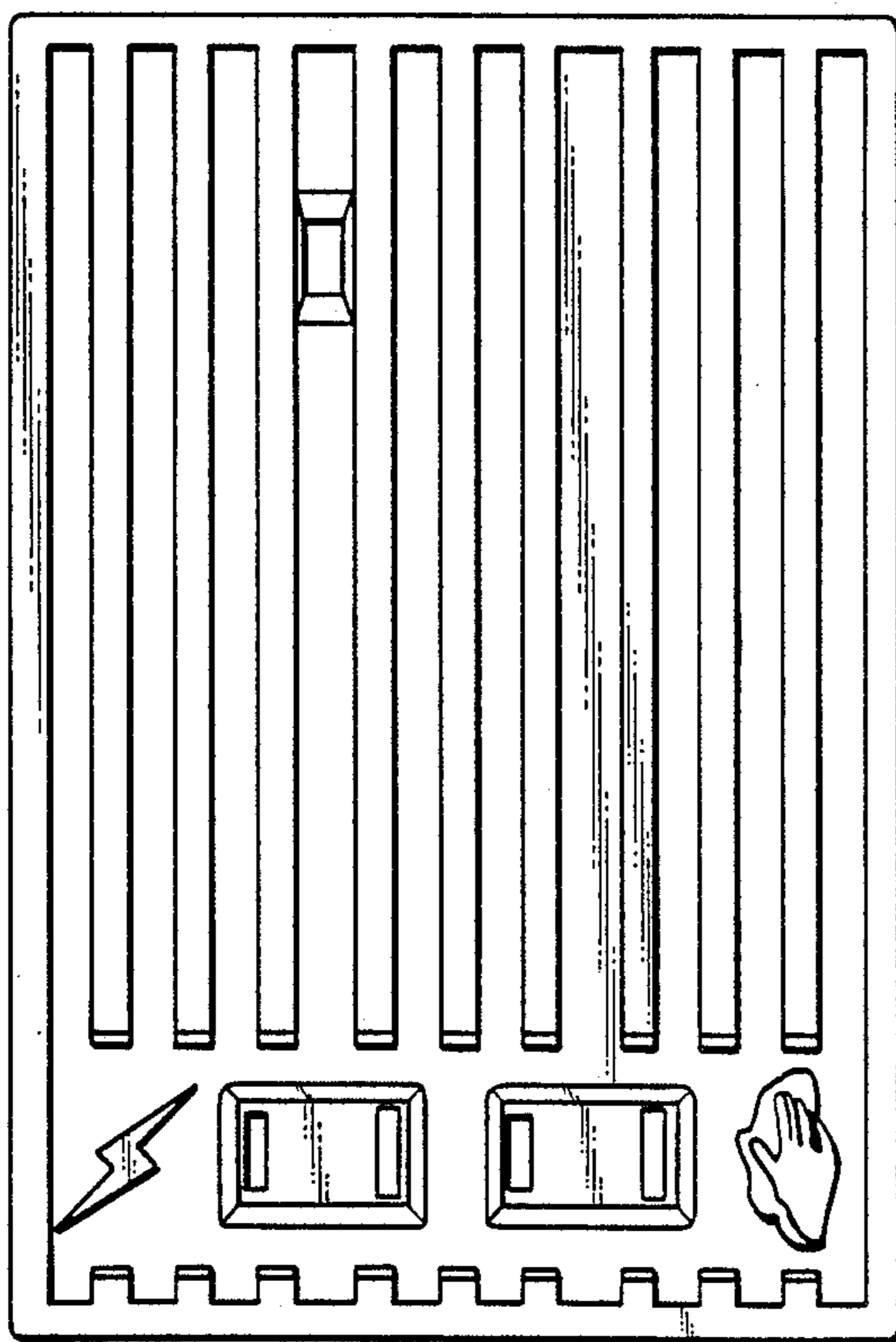


FIG.—2

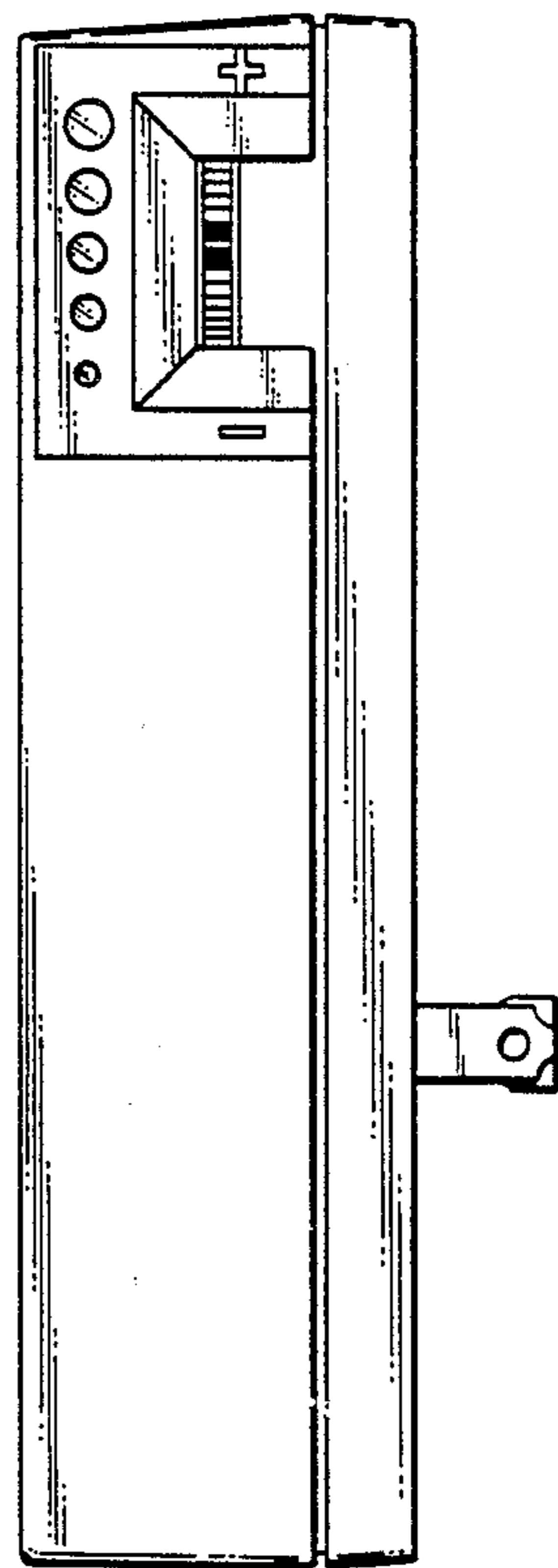


FIG.—3

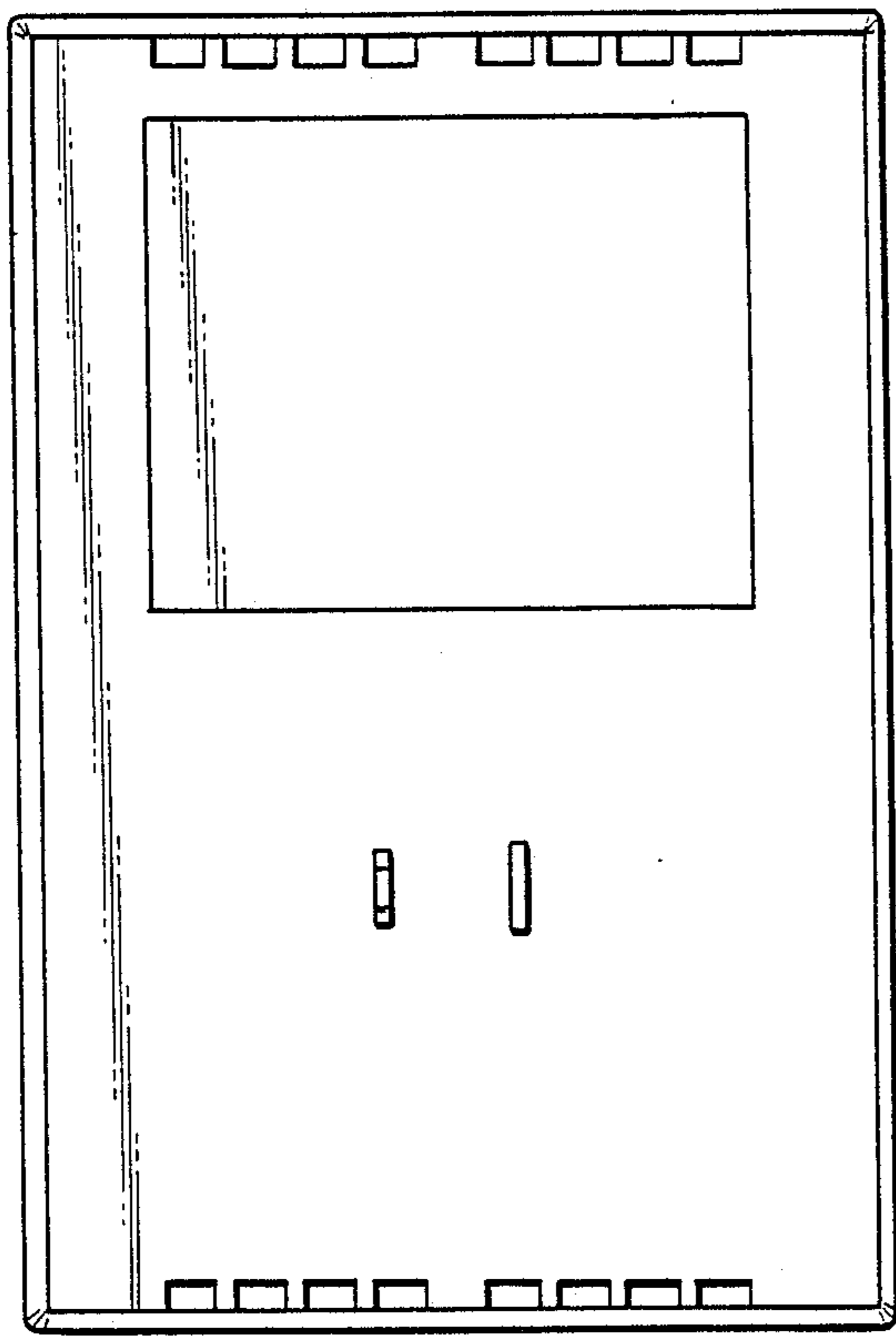


FIG.—4

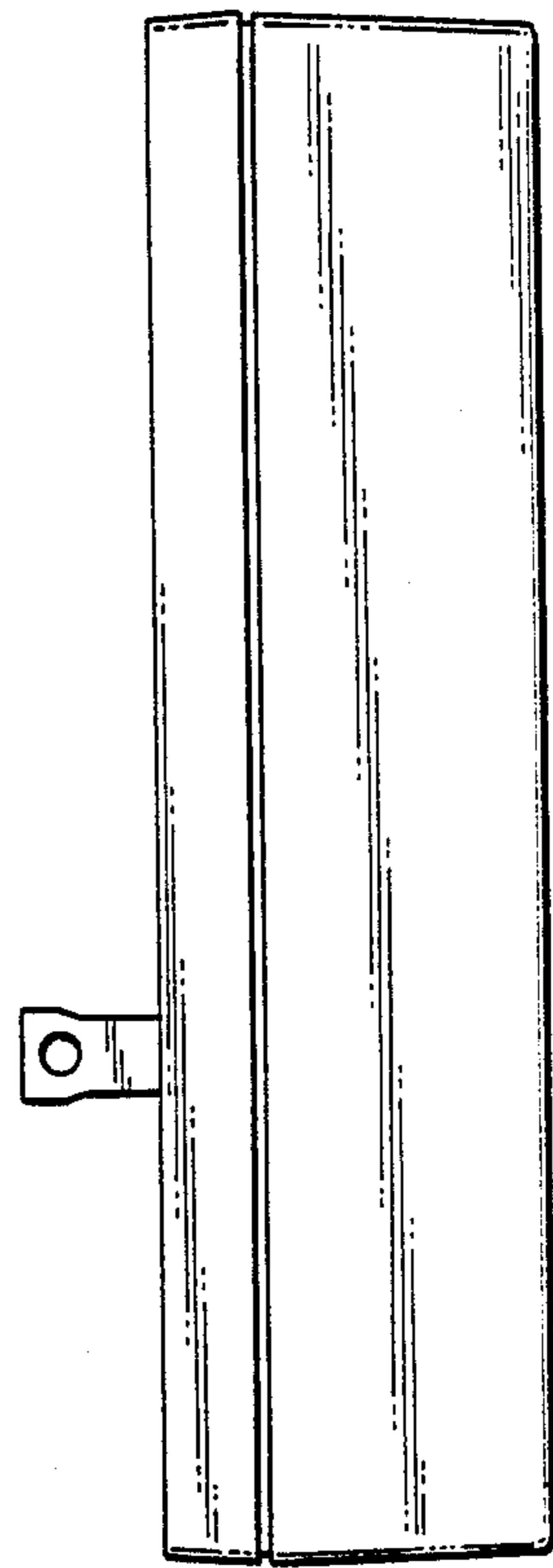


FIG.—5

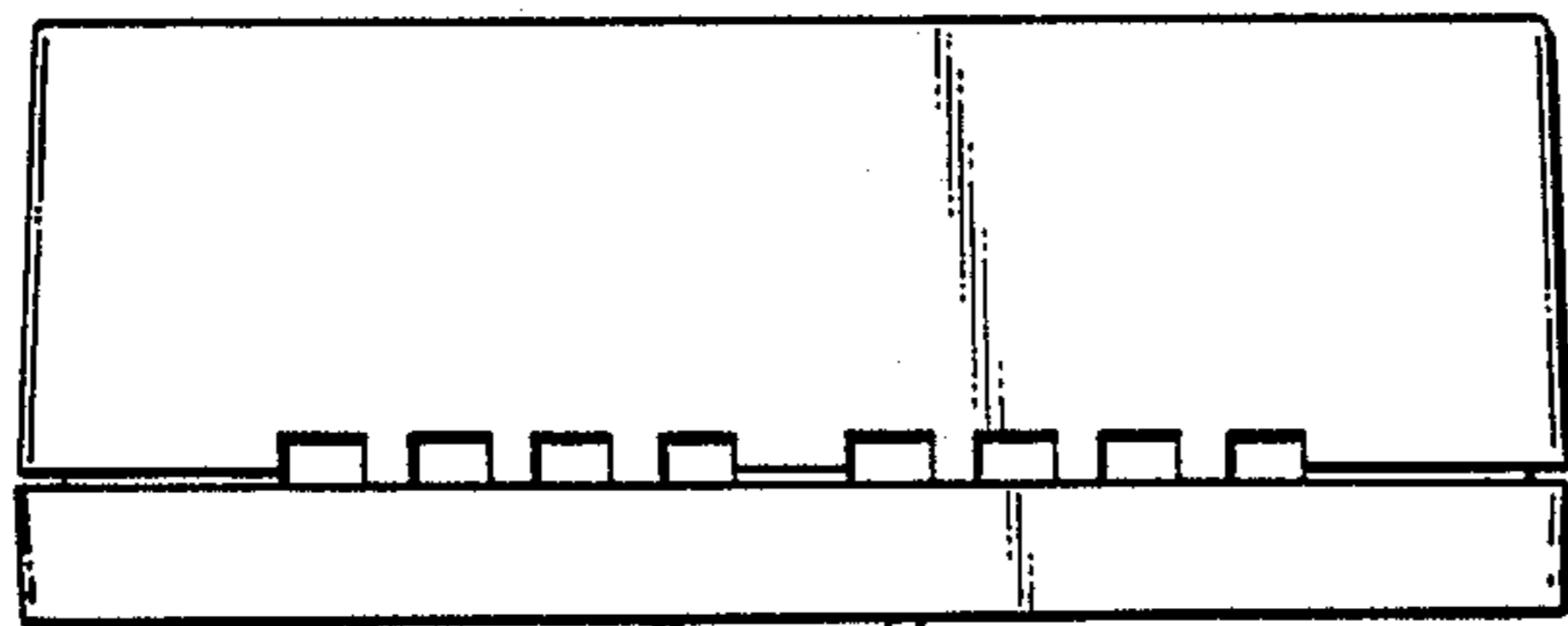


FIG.—6

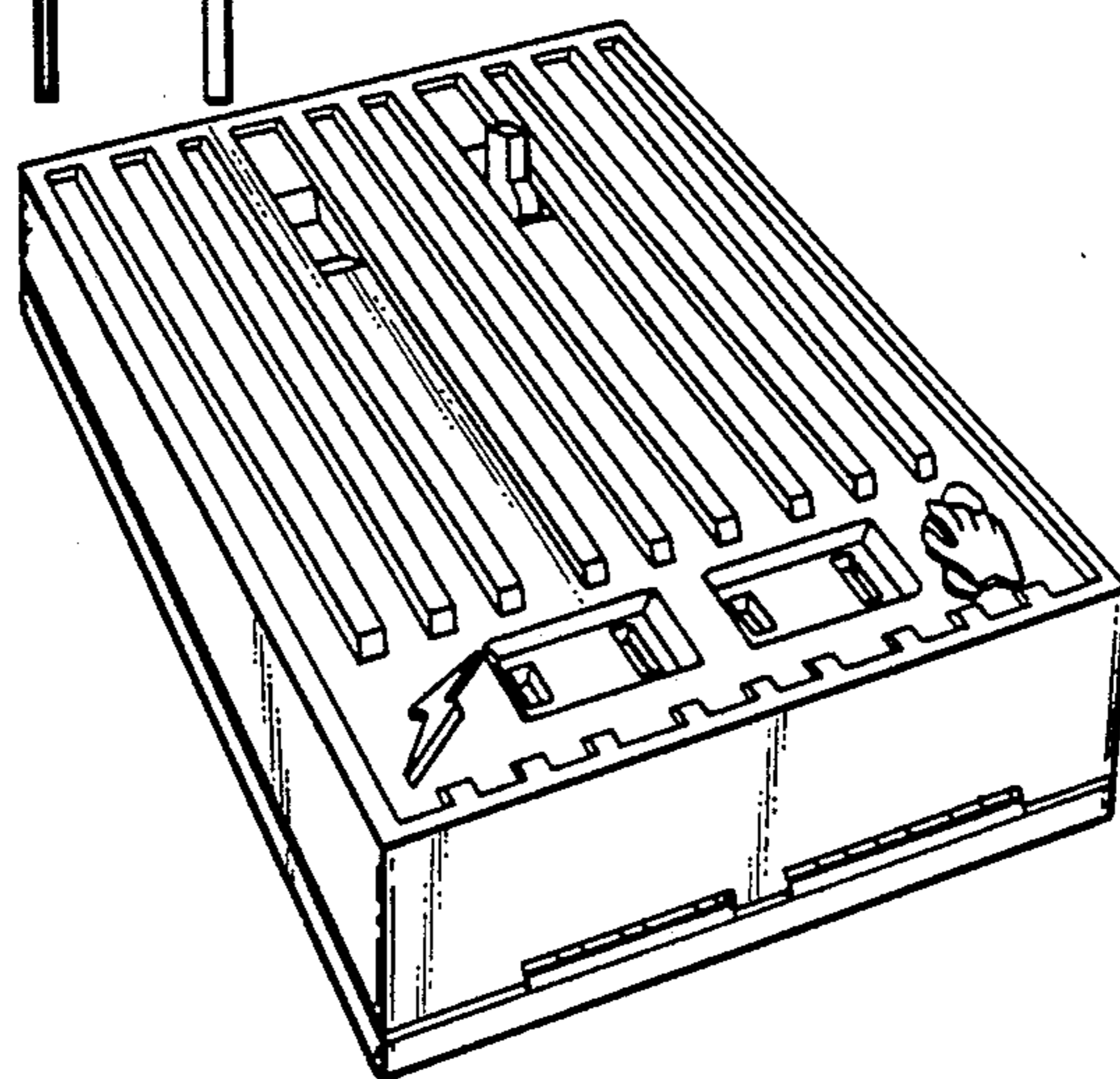


FIG.—7