

[54] **FIREPROOF LIFE SAVING RAFT**

[76] **Inventor: Ventura G. Rodriguez, 401 Pruitt St., San Antonio, Tex. 78204**

[\*\*] **Term: 14 Years**

[21] **Appl. No.: 878,476**

[22] **Filed: Jun. 25, 1986**

[52] **U.S. Cl. .... D12/316; D21/237**

[58] **Field of Search .... D12/316, 300, 306, 305; 114/345, 346; 441/37, 40, 131; D21/236, 237**

[56] **References Cited**

**U.S. PATENT DOCUMENTS**

D. 292,695 11/1987 Marten ..... D12/316  
3,736,607 6/1973 Radnofsky et al. .... 441/37  
4,696,251 9/1987 Spieldiener et al. .... 114/346

**FOREIGN PATENT DOCUMENTS**

1106378 3/1968 United Kingdom ..... 441/40  
2135635 9/1984 United Kingdom ..... 441/40

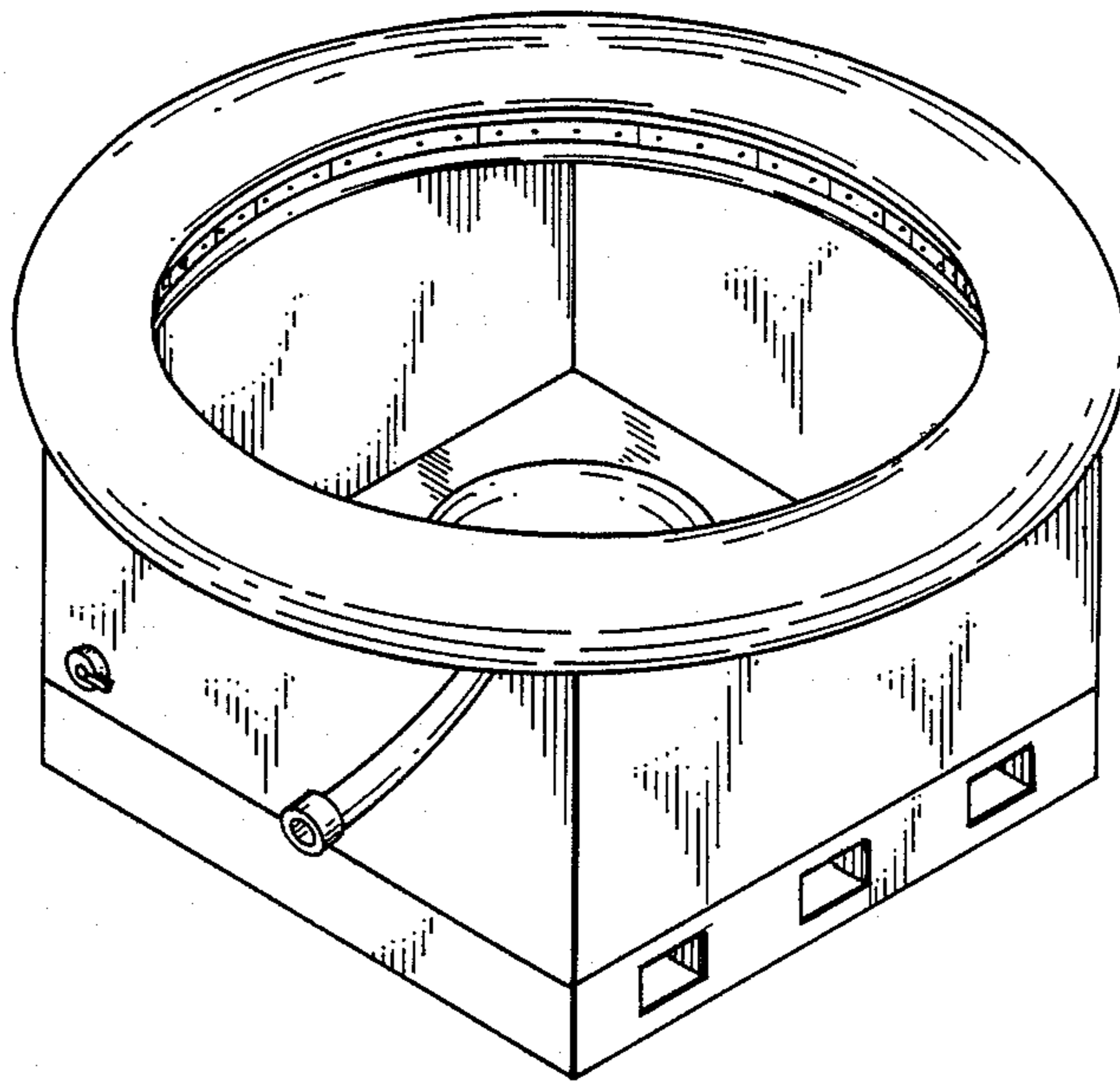
*Primary Examiner—Wallace R. Burke*  
*Assistant Examiner—Kay H. Chin*  
*Attorney, Agent, or Firm—Terry M. Gernstein*

[57] **CLAIM**

The ornamental design for a fireproof life saving raft, as shown and described.

**DESCRIPTION**

FIG. 1 is a front elevational view of a fireproof life saving raft showing my new design.  
FIG. 2 is a right side elevational view thereof;  
FIG. 3 is a left side elevational view thereof;  
FIG. 4 is a rear elevational view thereof.  
FIG. 5 is a top plan view thereof.  
FIG. 6 is a perspective view thereof.



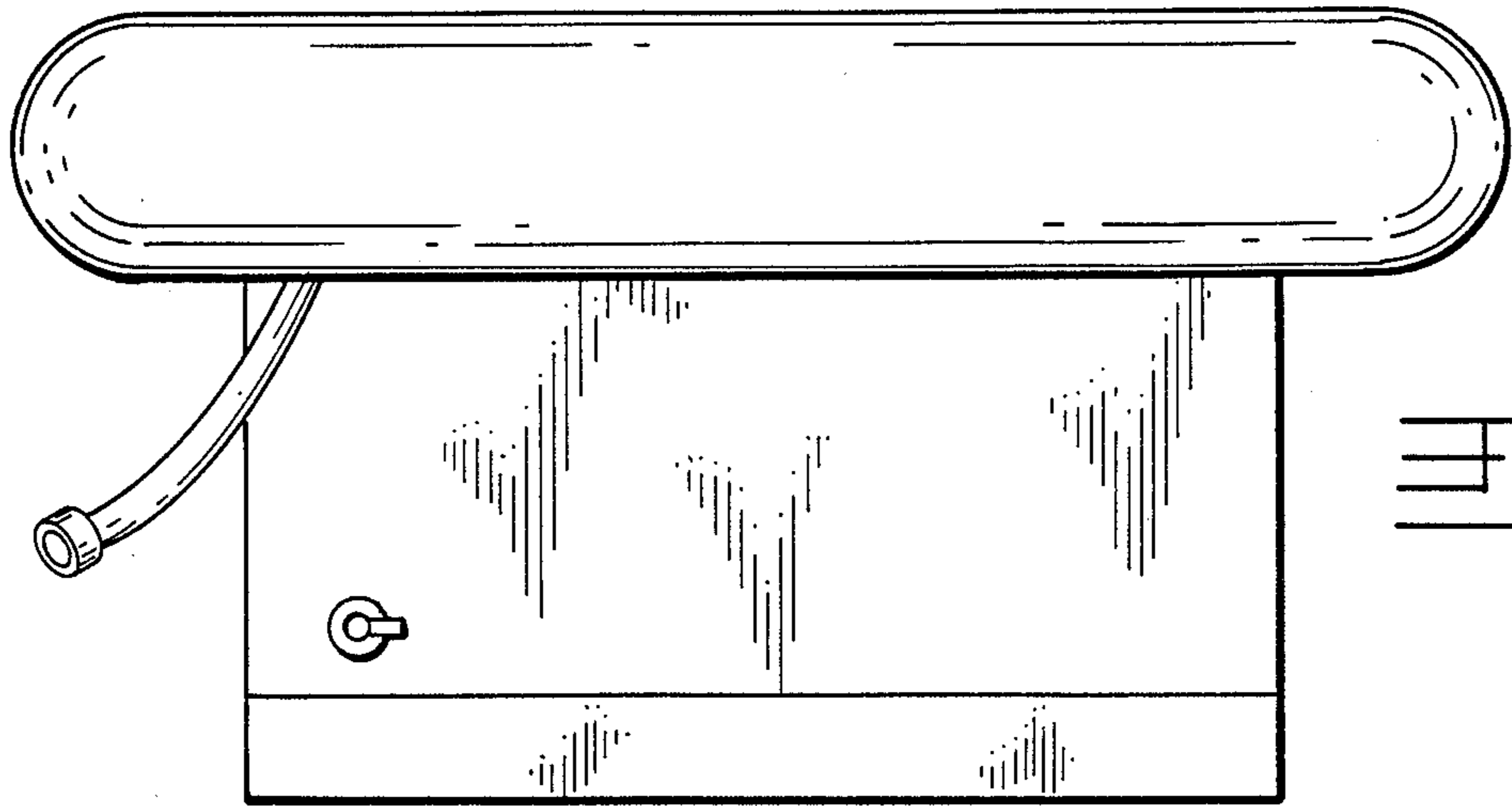


Fig. 1

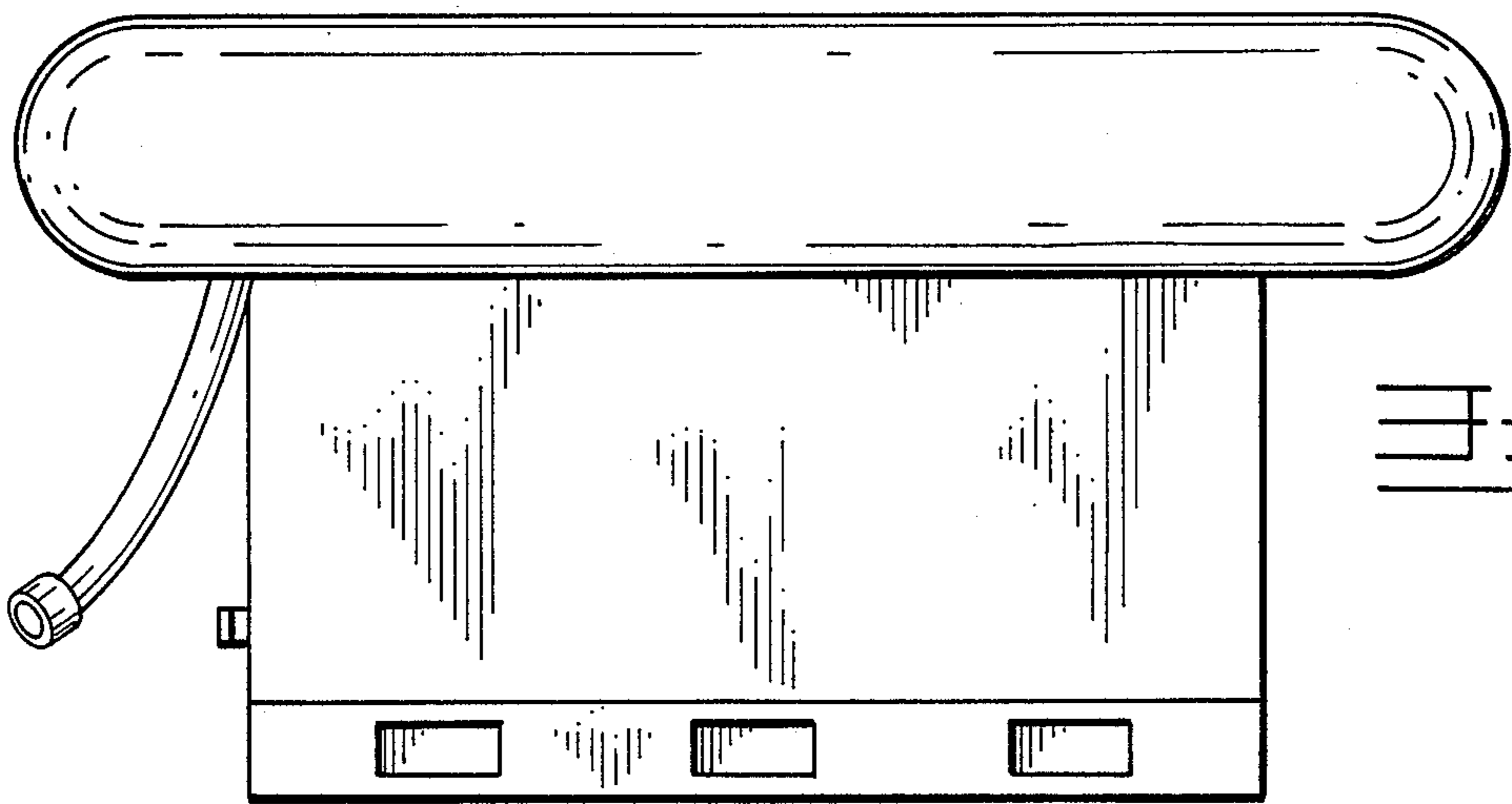


Fig. 2

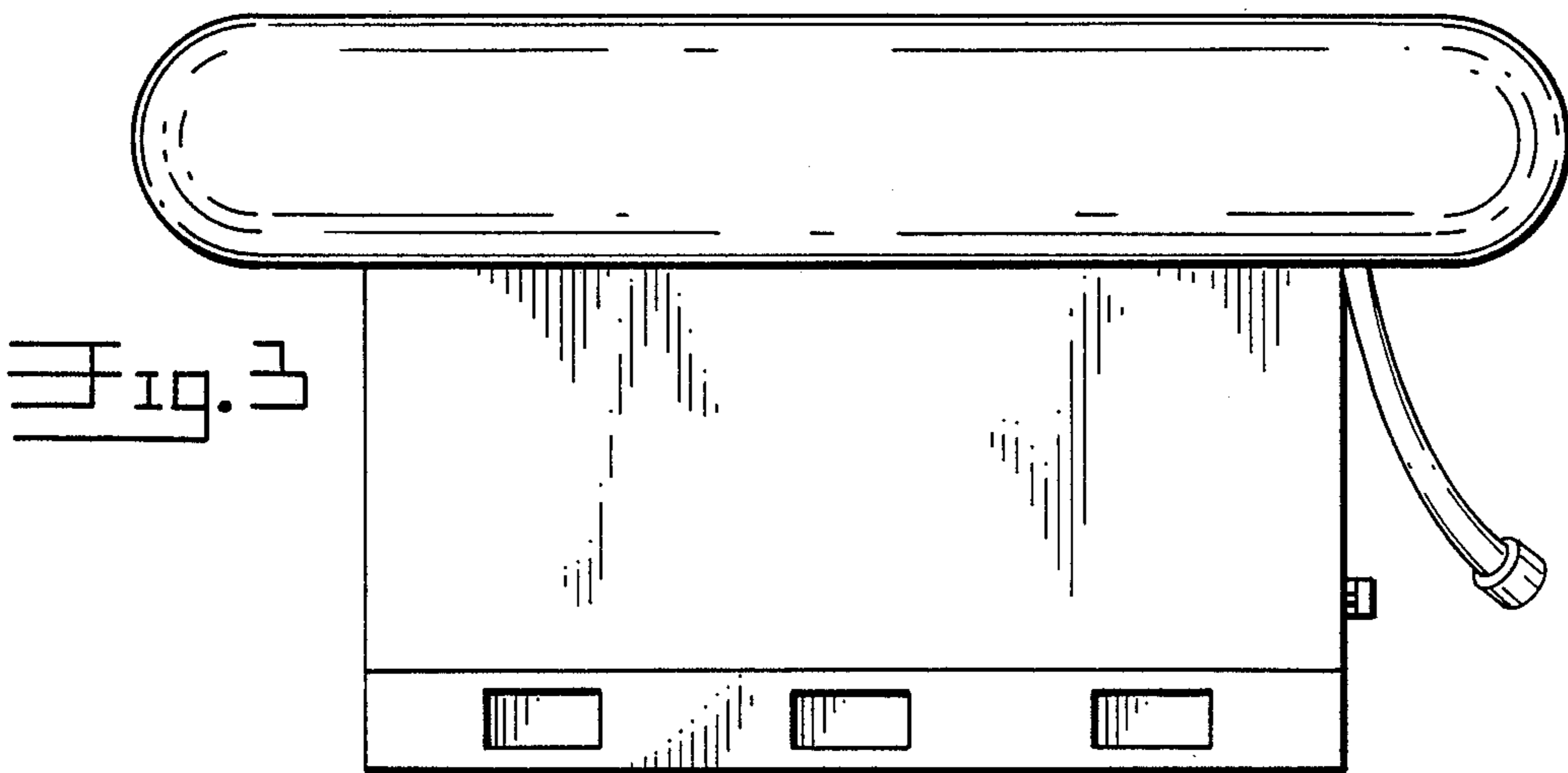


Fig. 3

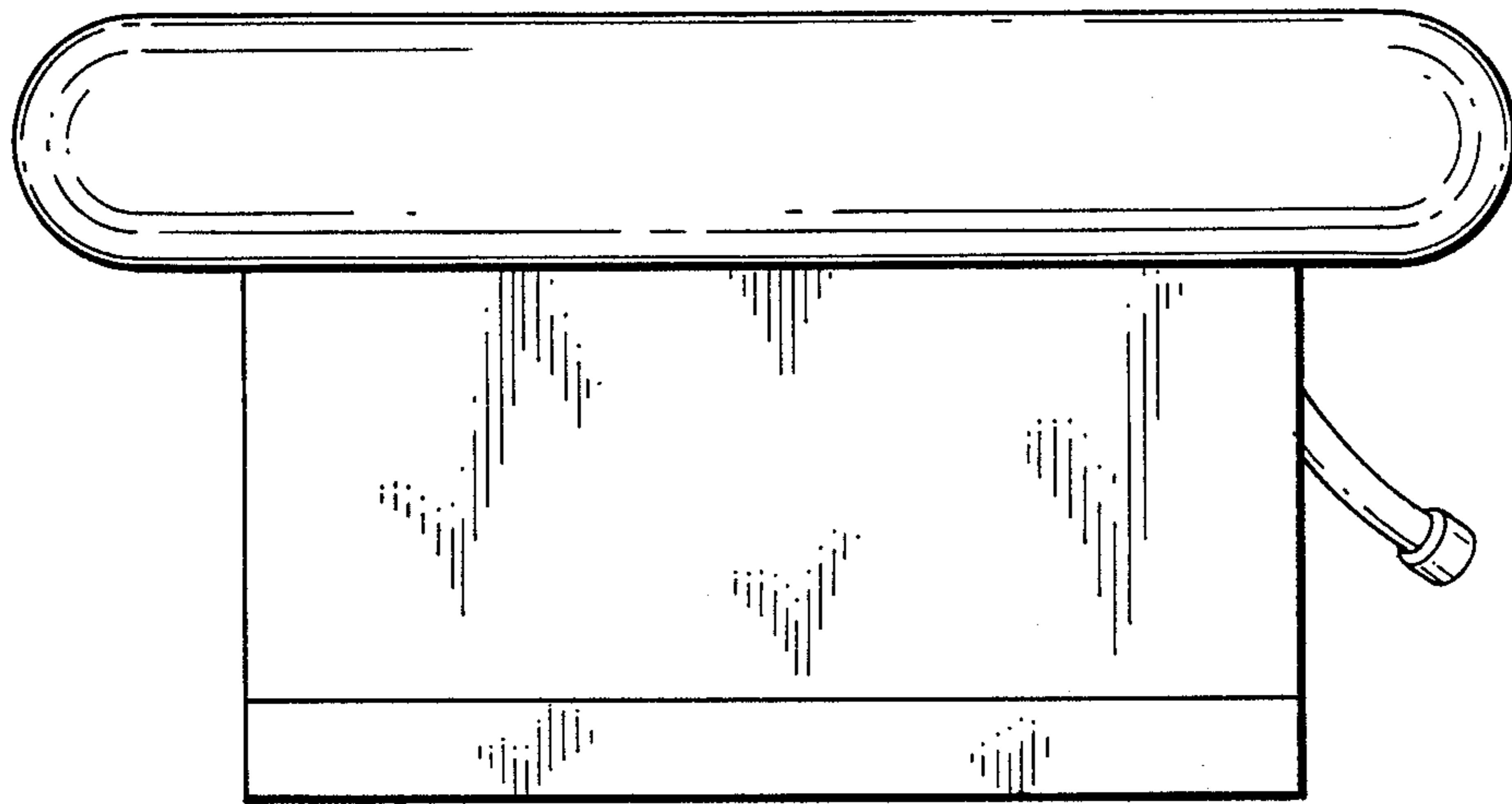


Fig. 4

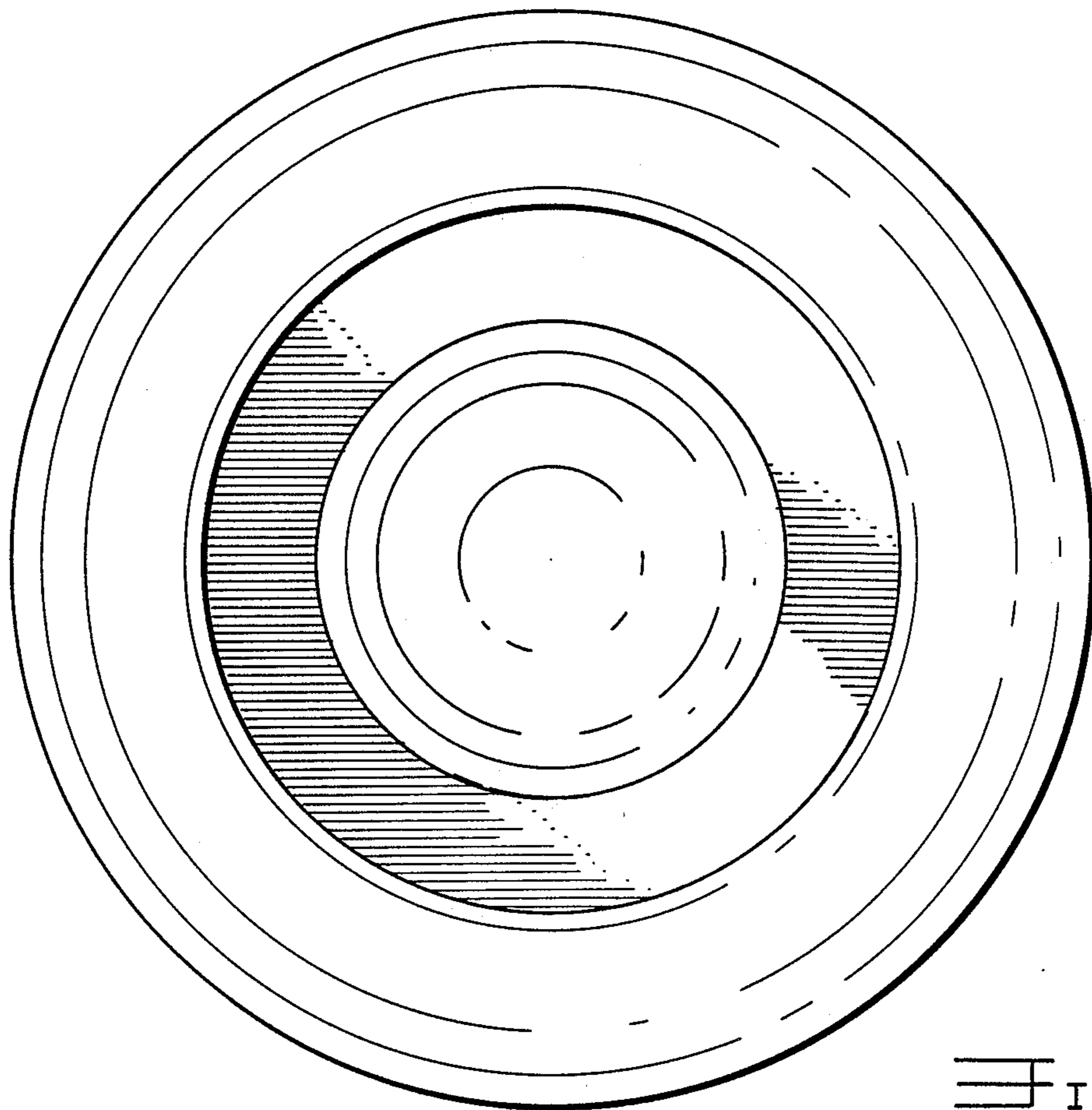


Fig. 5

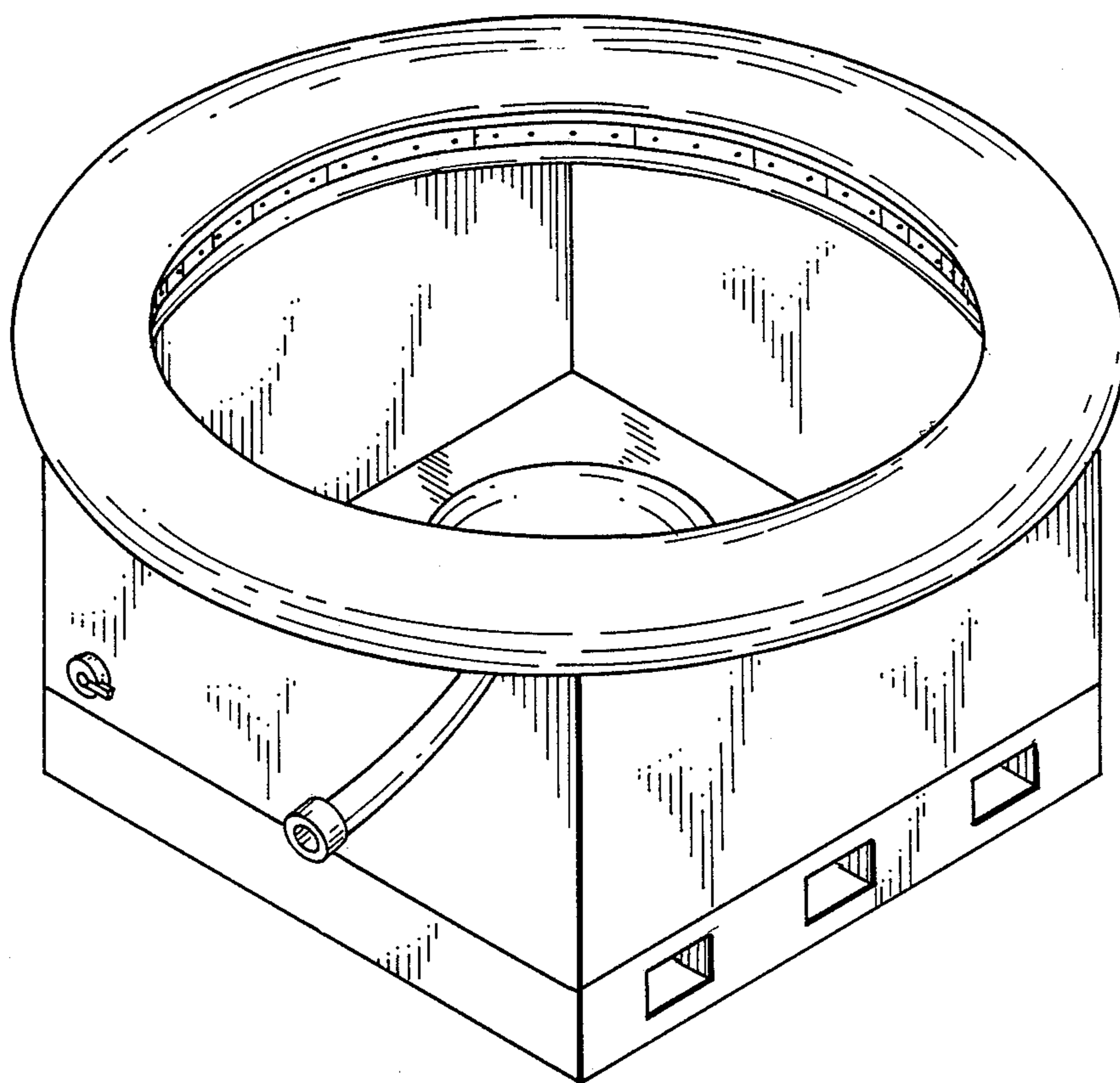


Fig. 6