

[54] **PORTABLE BICYCLE**

[76] **Inventor:** Myung K. Oh, 9-85 Tuck Eun-Ri,  
Shin Do-Eup, Koyang-goon, Kyung  
Gi-Do, Rep. of Korea

[\*\*] **Term:** 14 Years

[21] **Appl. No.:** 943,370

[22] **Filed:** Dec. 18, 1986

[52] **U.S. Cl.** ..... D12/111

[58] **Field of Search** ..... D12/111; 280/281 R,  
280/281 LP, 281 W

[56] **References Cited**

**U.S. PATENT DOCUMENTS**

280,980	10/1985	Oh	.....	D12/112
D. 291,873	9/1987	Koyama	.....	D12/111
3,802,721	4/1974	Hubbard	.....	D12/111
4,524,987	6/1985	Kim	.....	280/204

*Primary Examiner*—James M. Gandy  
*Attorney, Agent, or Firm*—Spencer & Frank

[57] **CLAIM**

The ornamental design for a portable bicycle, as shown and described.

**DESCRIPTION**

FIG. 1 is a perspective view of a portable bicycle showing my new design.

FIG. 2 is a section view thereof taken along line 2—2 in FIG. 3.

FIG. 3 is a top plan view thereof.

FIG. 4 is a left side elevation view thereof.

FIG. 5 is a bottom plan view thereof.

FIG. 6 is a right side elevation view thereof.

FIG. 7 is a front elevation view thereof.

FIG. 8 is a rear elevation view thereof.

FIG. 9 is a left side elevation view thereof in folded condition.

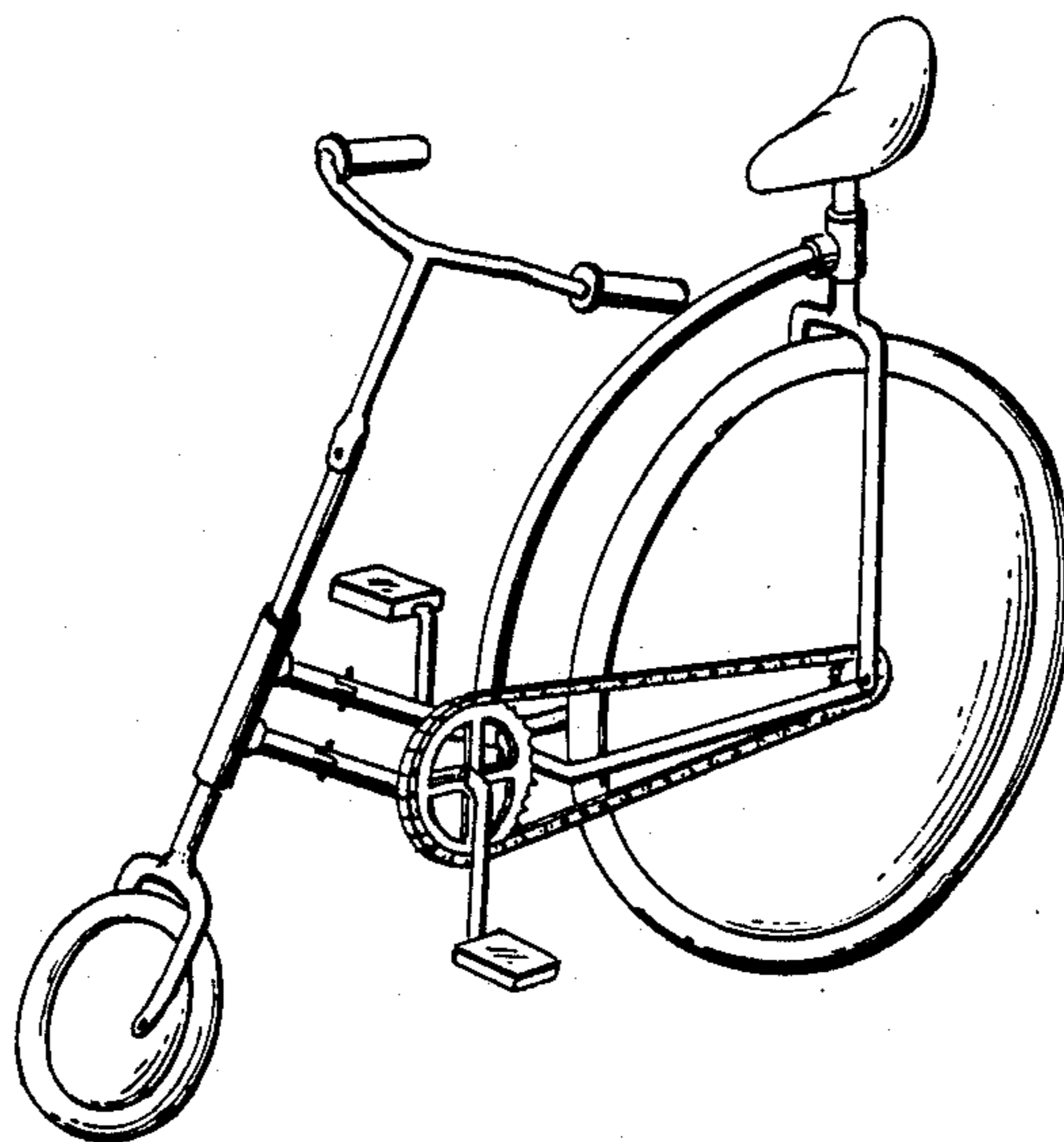


FIG. 1

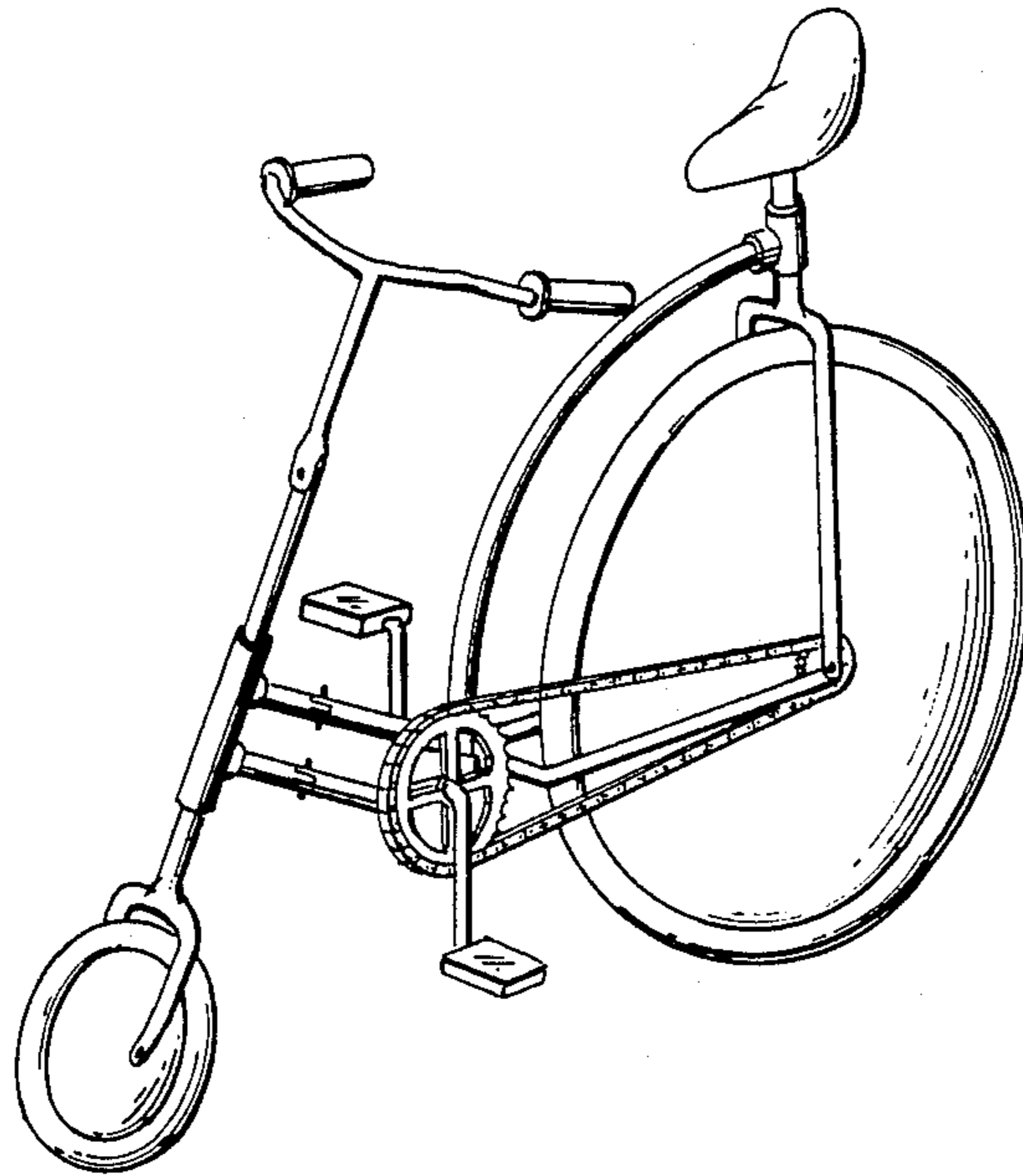


FIG. 2

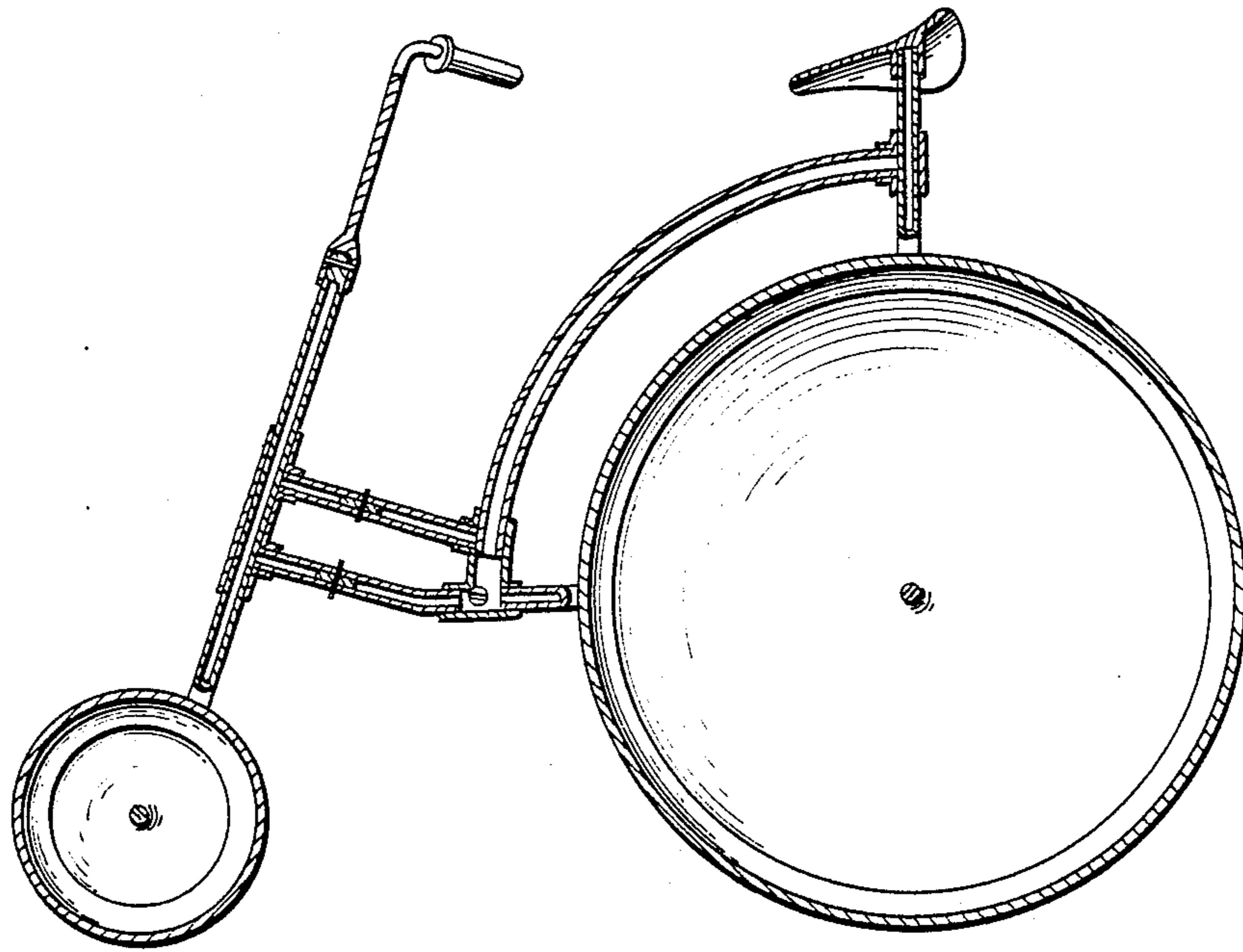


FIG. 3

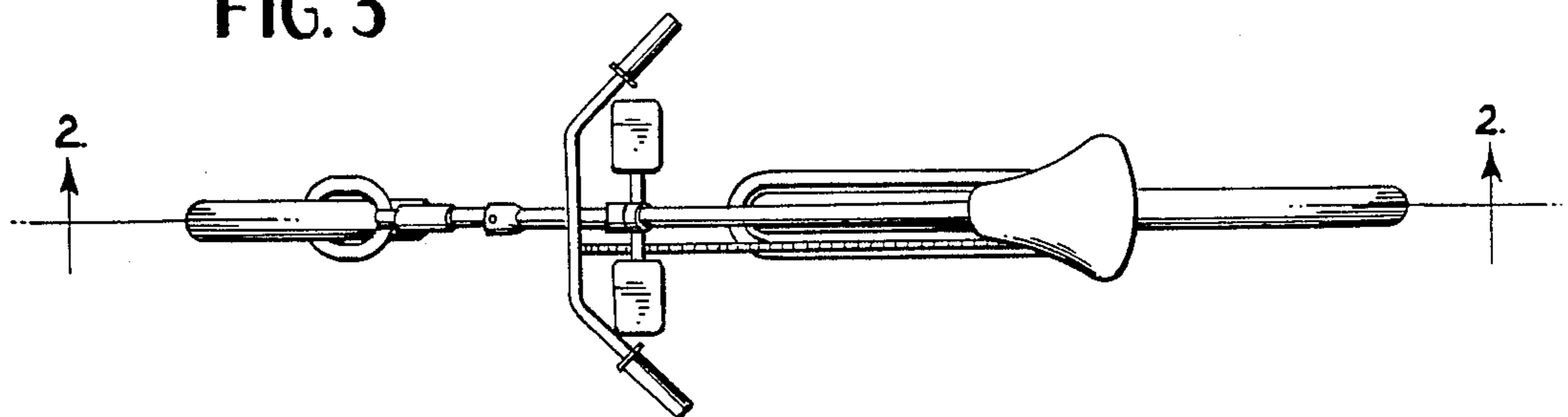


FIG. 4

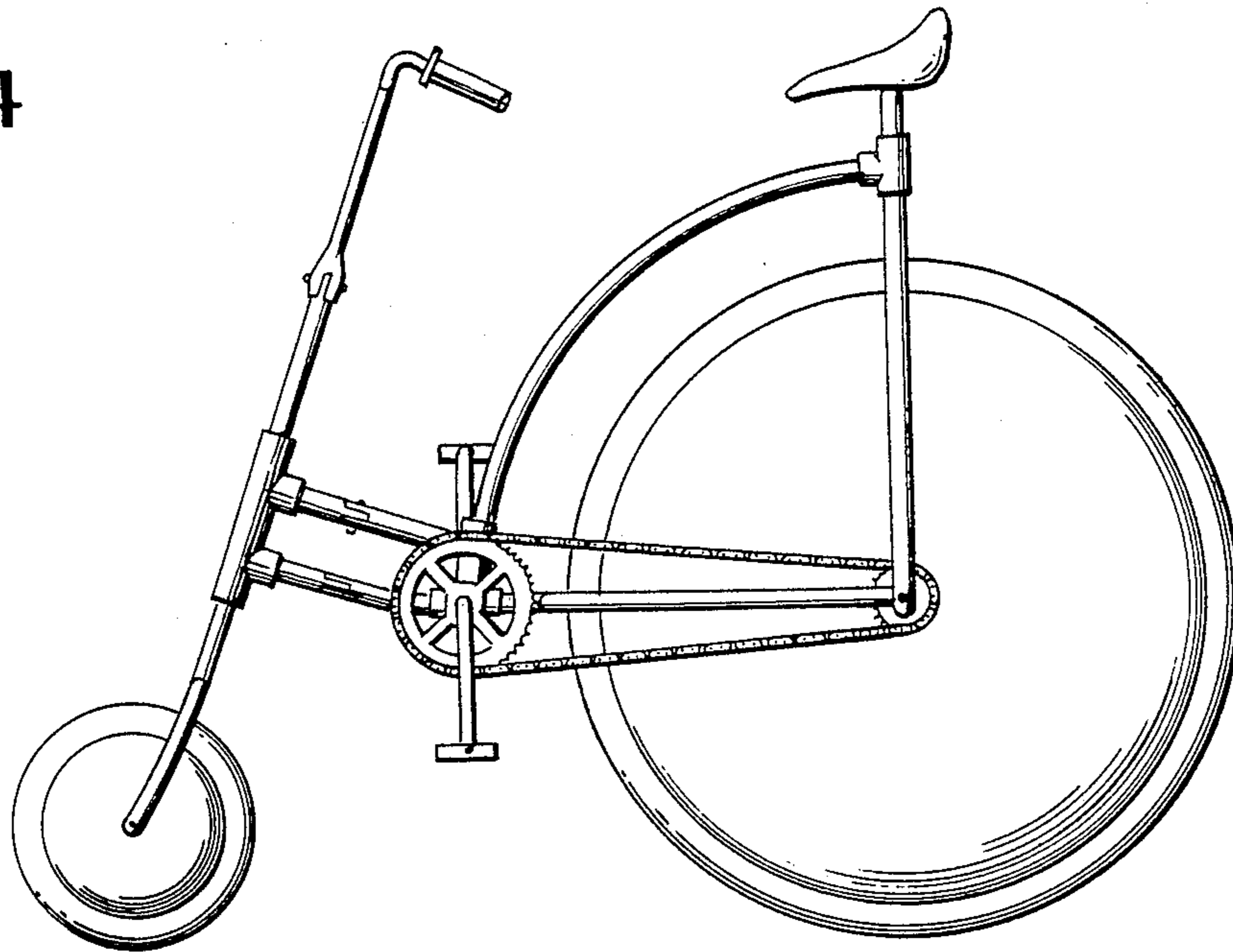


FIG. 5

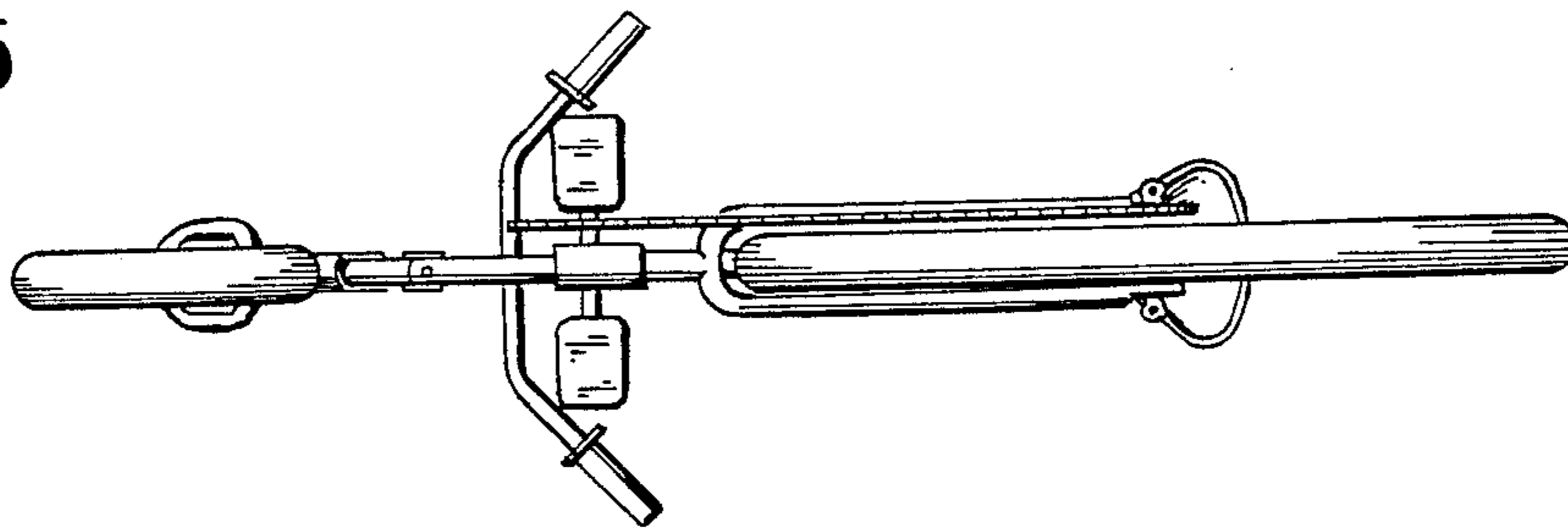
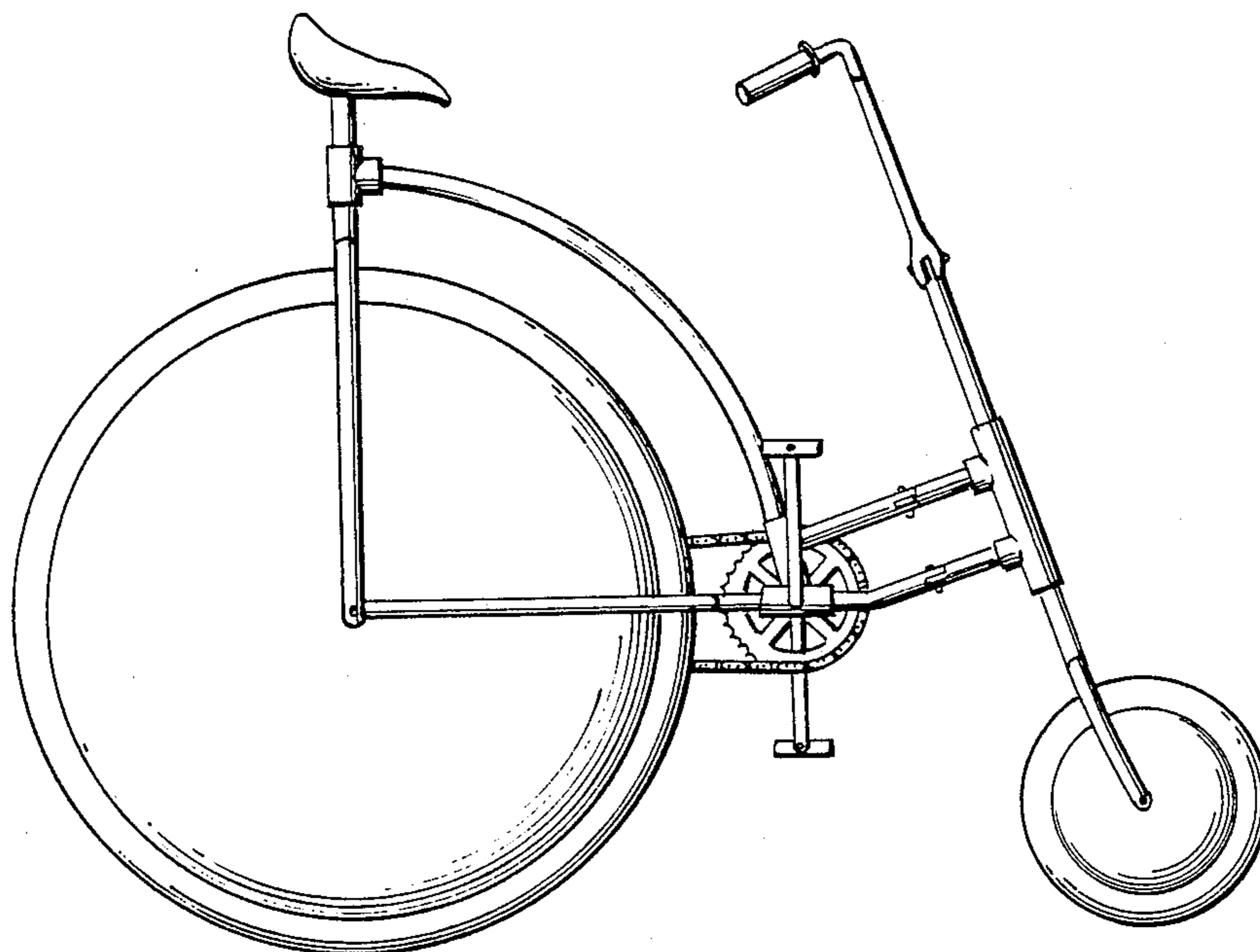


FIG. 6



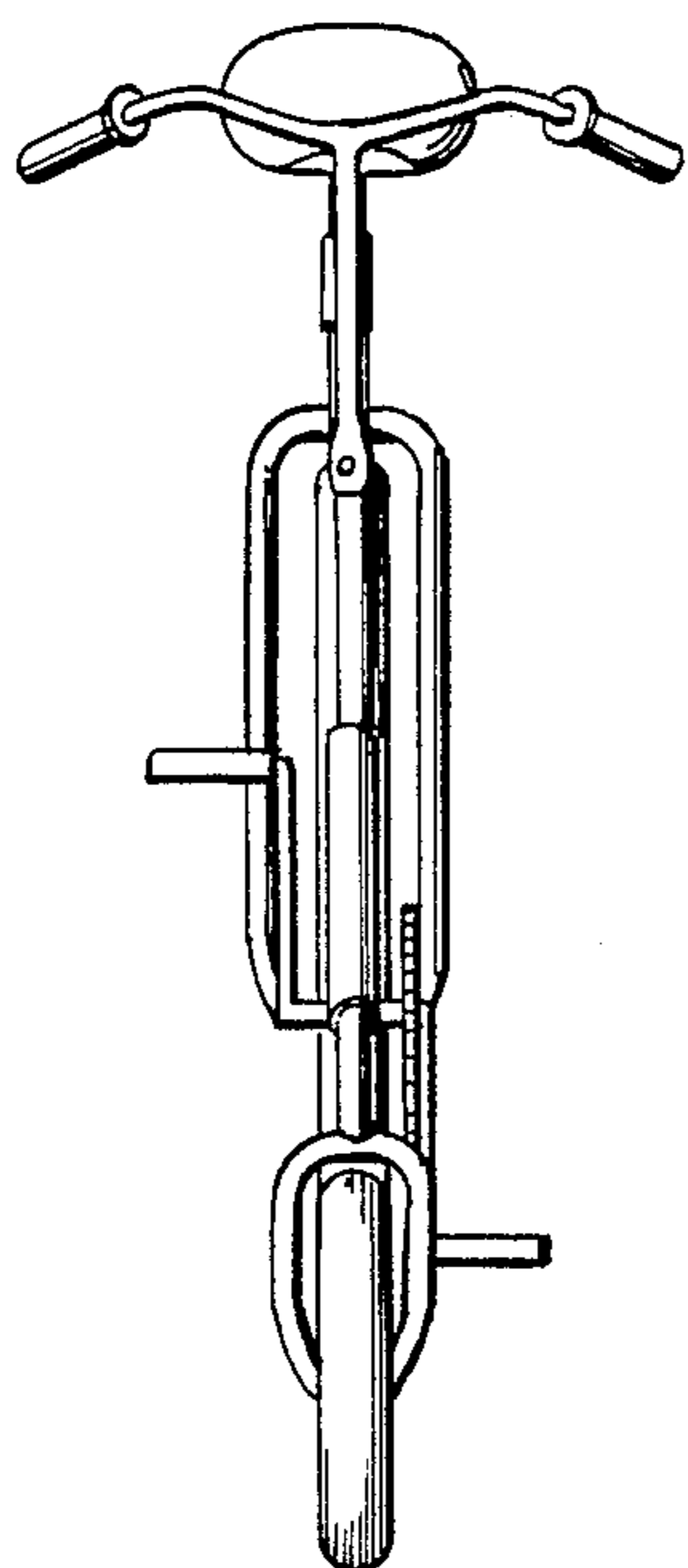


FIG. 7

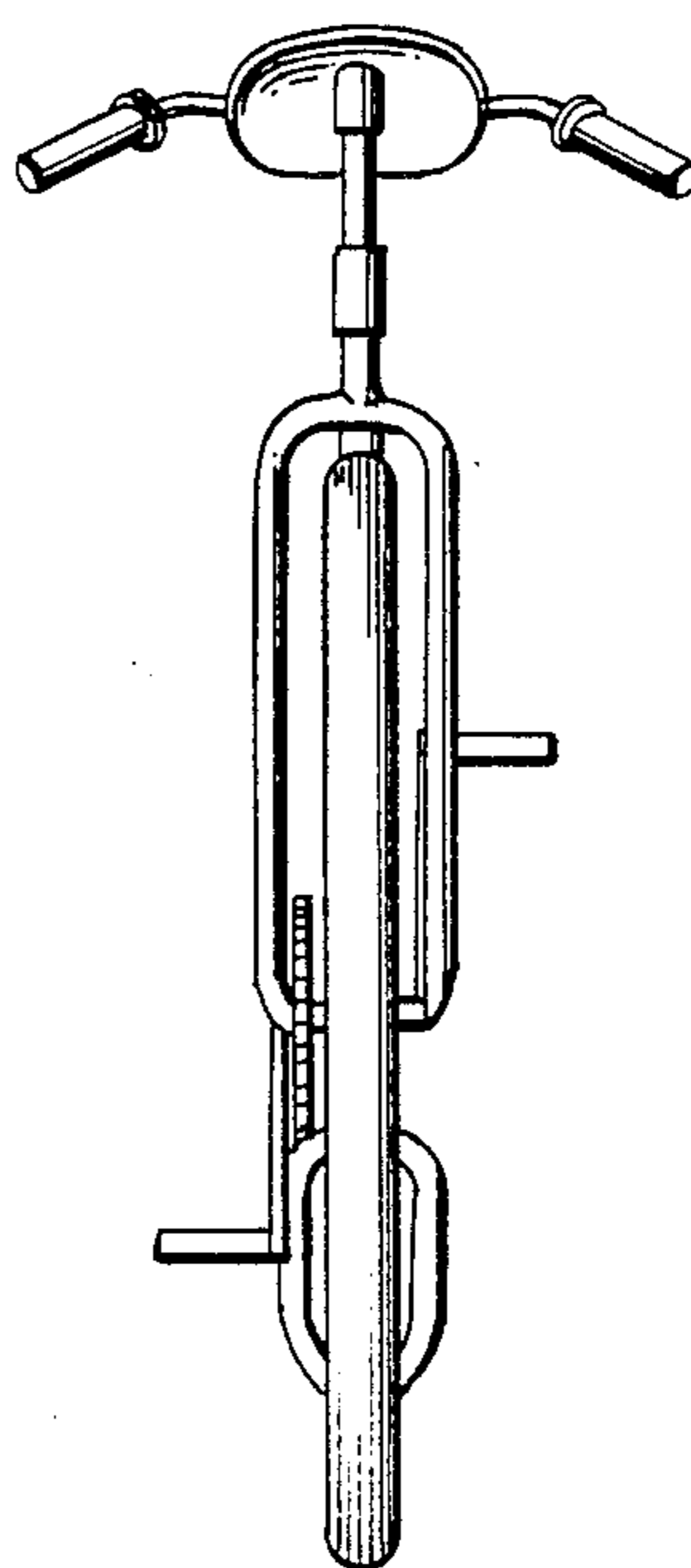


FIG. 8

FIG. 9

